



US00D971436S

(12) **United States Design Patent**
Robinson et al.

(10) **Patent No.:** **US D971,436 S**

(45) **Date of Patent:** **** Nov. 29, 2022**

(54) **INDIVIDUAL SAMPLE TRAY**

(71) Applicant: **Devicor Medical Products, Inc.**,
Cincinnati, OH (US)

(72) Inventors: **Andrew Robinson**, Cincinnati, OH
(US); **Rachel Yoon Choung**, Studio
City, CA (US); **Mark A. Graham**,
Maineville, OH (US); **Andrew P. Nock**,
Dayton, OH (US); **Brennan G.**
McCabe, Cincinnati, OH (US)

(73) Assignee: **Devicor Medical Products, Inc.**,
Cincinnati, OH (US)

(**) Term: **15 Years**

(21) Appl. No.: **29/770,735**

(22) Filed: **Feb. 16, 2021**

Related U.S. Application Data

(63) Continuation of application No. 29/670,489, filed on
Nov. 16, 2018, now Pat. No. Des. 913,522.

(51) **LOC (13) Cl.** **24-02**

(52) **U.S. Cl.**
USPC **D24/227**

(58) **Field of Classification Search**

USPC D24/156, 127–128, 185, 216–232;
D7/354, 361, 500, 550.1, 554.3, 587, 602;
D3/304, 307, 308, 314, 315
CPC A61B 50/36; A61B 2050/3011
See application file for complete search history.

(56) **References Cited**

U.S. PATENT DOCUMENTS

3,713,985 A * 1/1973 Astle B01L 3/50855
422/561
D249,706 S * 9/1978 Adamski D24/230

D274,259 S * 6/1984 Hamilton D24/224
D432,244 S * 10/2000 Anderson D24/223
D799,059 S * 10/2017 Self D24/227
D913,522 S * 3/2021 Robinson D24/227
D928,340 S * 8/2021 Chen D24/217
D933,849 S * 10/2021 Robinson D24/227
D934,421 S * 10/2021 Lee D24/140

FOREIGN PATENT DOCUMENTS

JP D2018-822 * 10/2018

* cited by examiner

Primary Examiner — Omeed Agilee

(74) *Attorney, Agent, or Firm* — Frost Brown Todd LLC

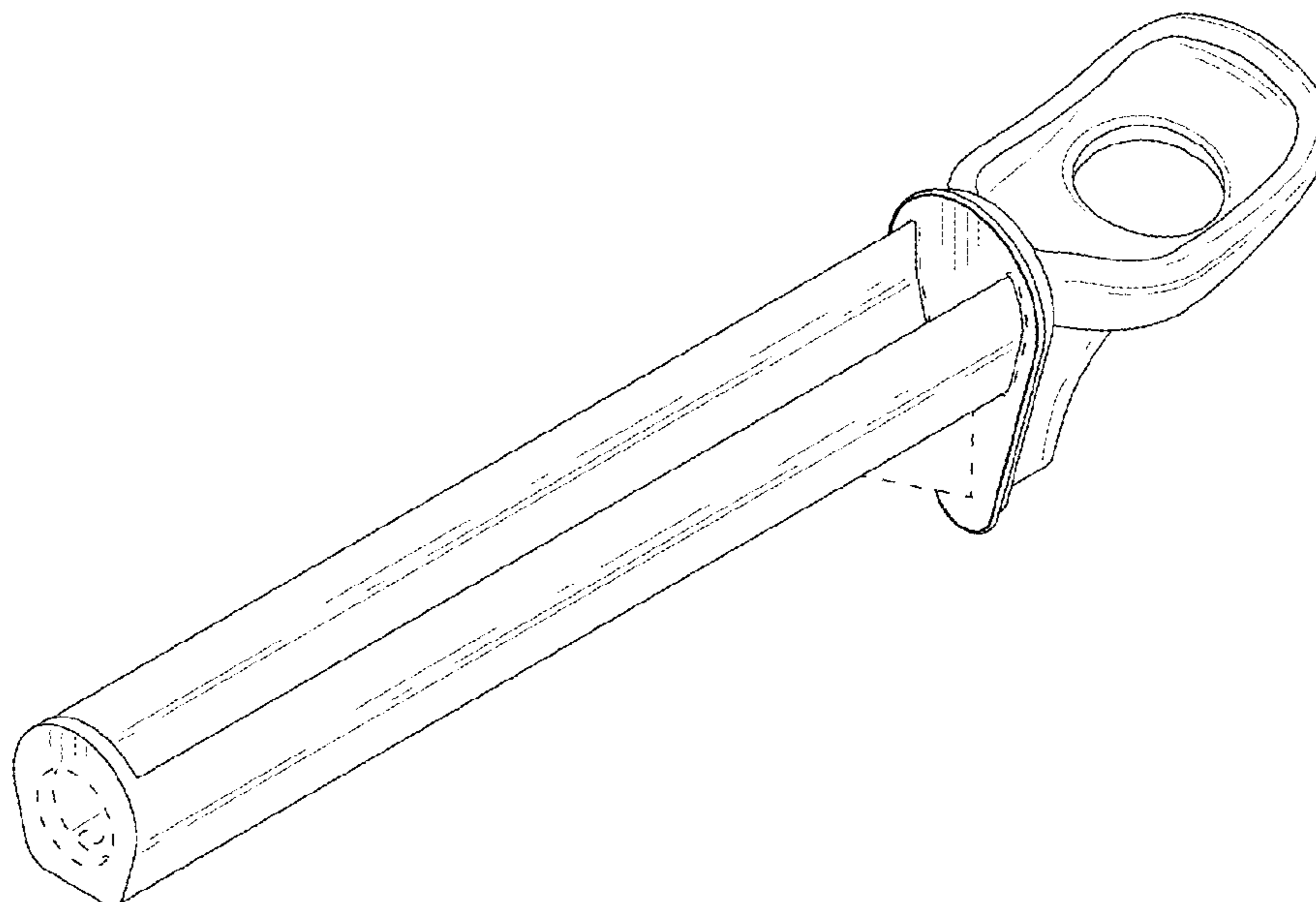
(57) **CLAIM**

The ornamental design for an individual sample tray, as
shown and described.

DESCRIPTION

FIG. 1 is a top perspective view of an individual sample tray,
showing our new design;
FIG. 2 is a bottom perspective view thereof;
FIG. 3 is a rear elevation view thereof;
FIG. 4 is a front elevation view thereof;
FIG. 5 is a left elevation view thereof;
FIG. 6 is a right elevation view thereof;
FIG. 7 is a top plan view thereof; and,
FIG. 8 is a bottom plan view thereof.
The broken lines in the drawings depict environmental
subject matter and form no part of the claimed design.

1 Claim, 5 Drawing Sheets



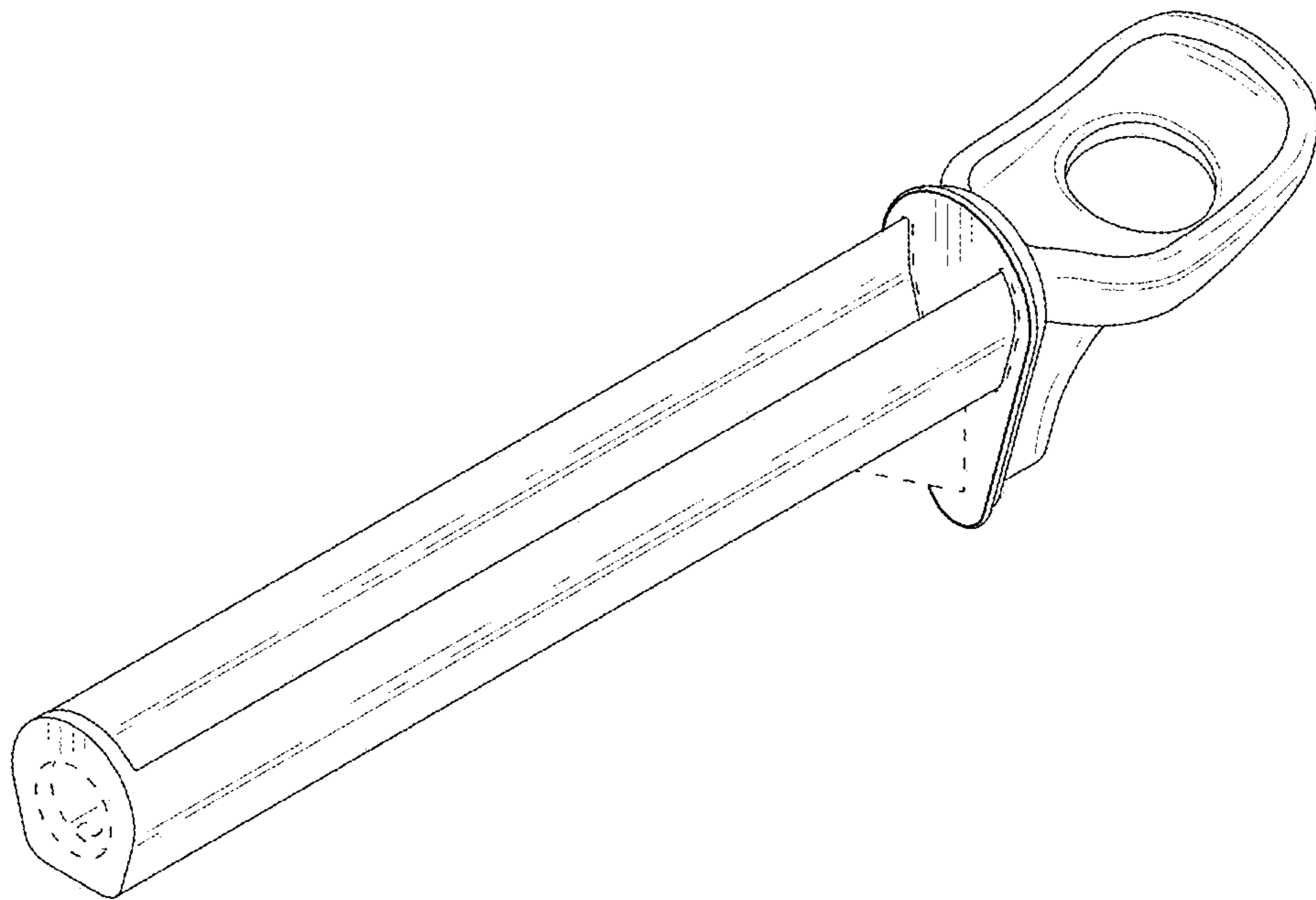


FIG. 1

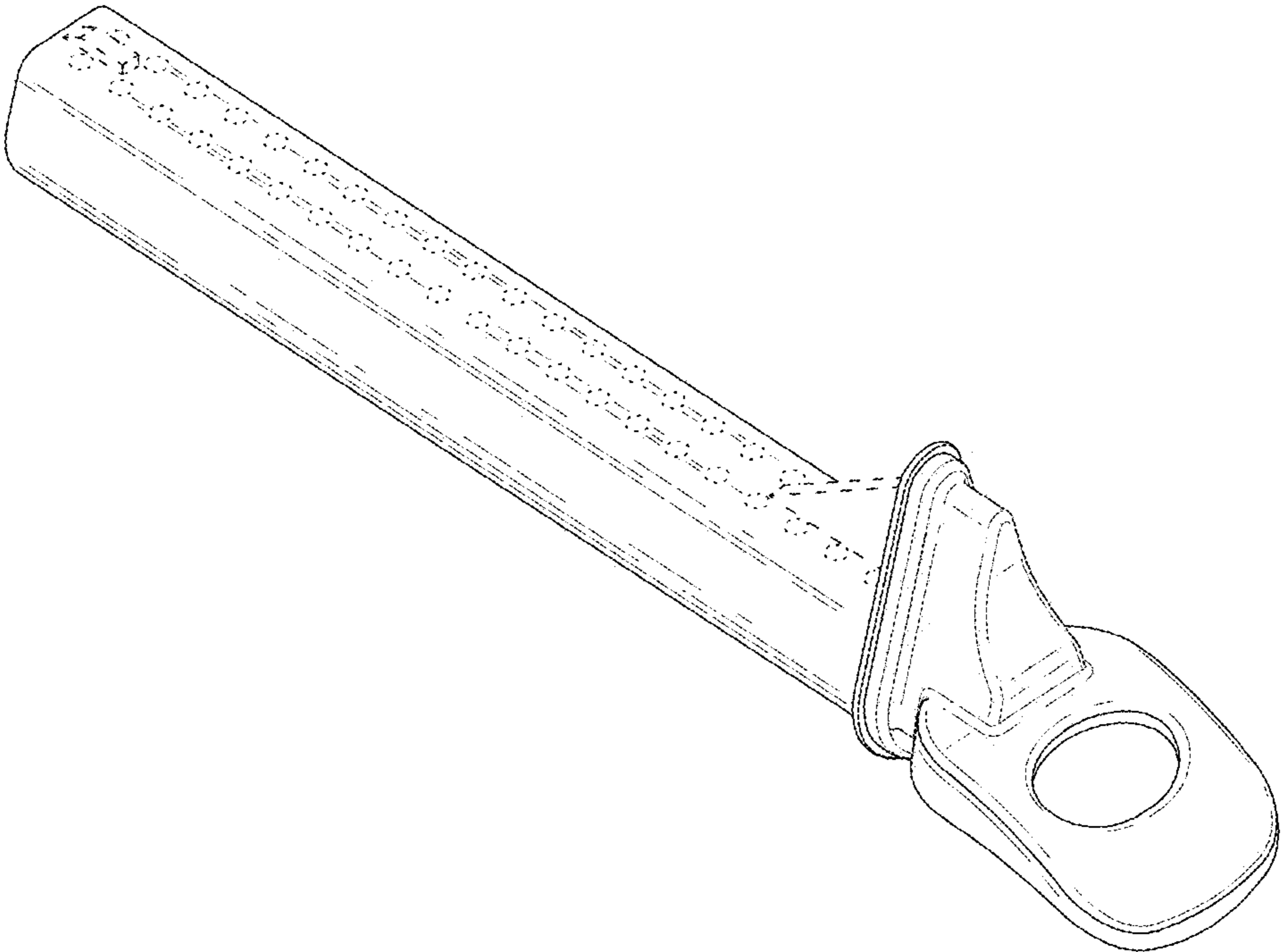


FIG. 2

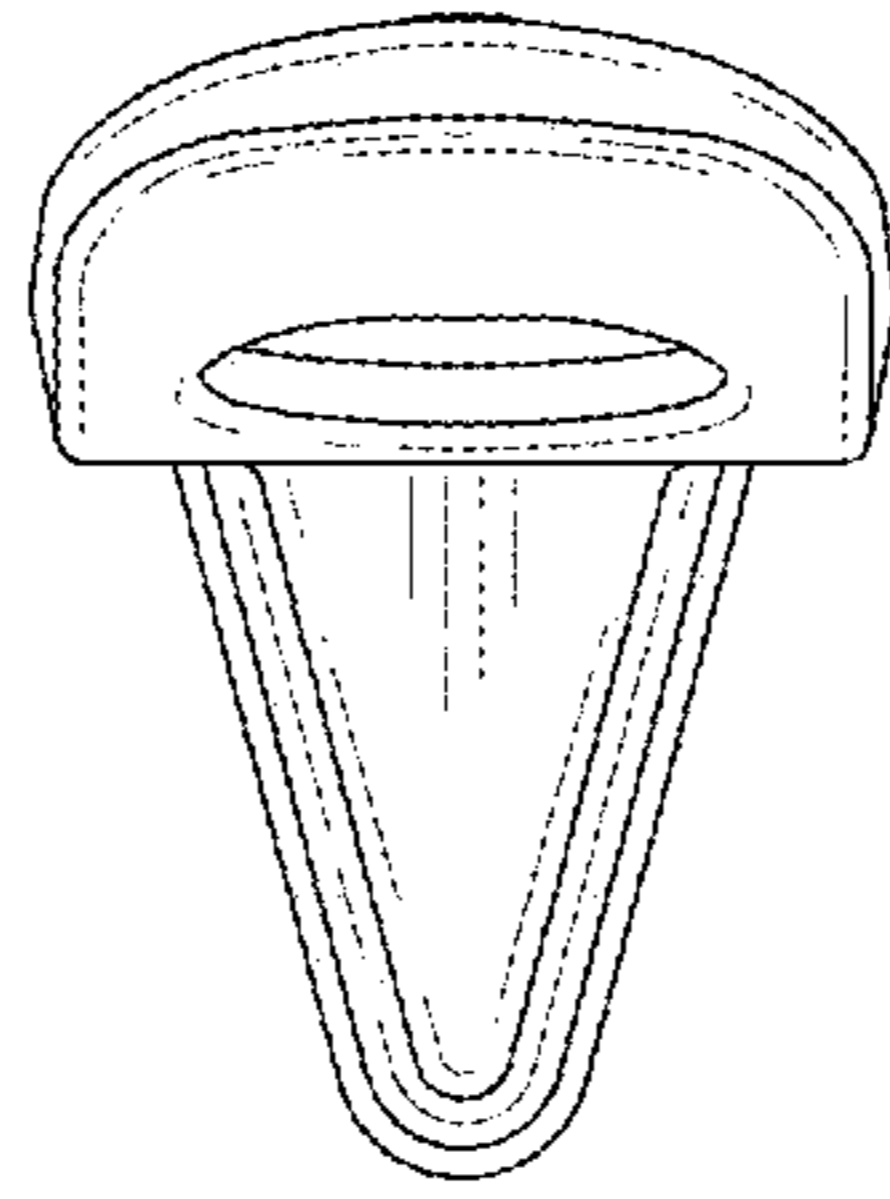


FIG. 3

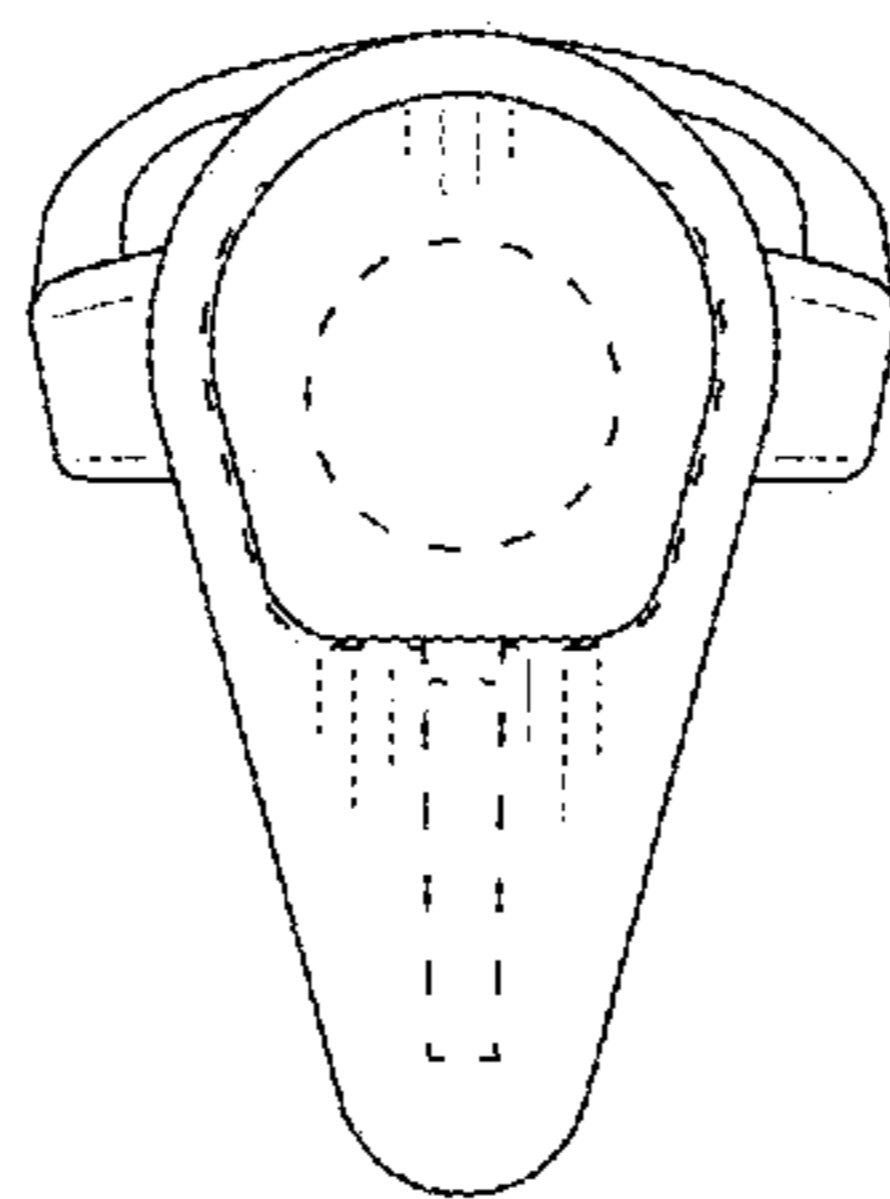


FIG. 4

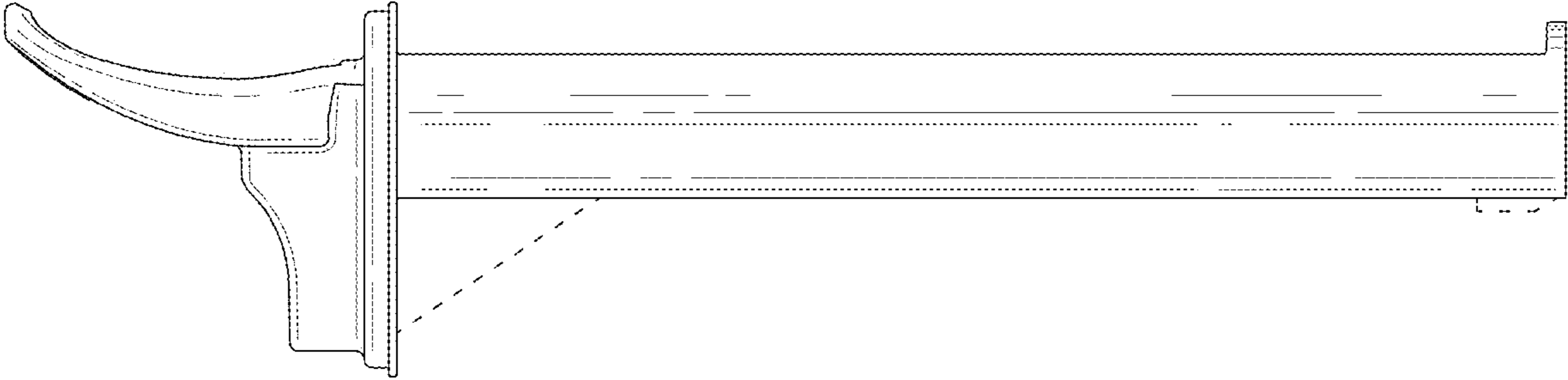


FIG. 5

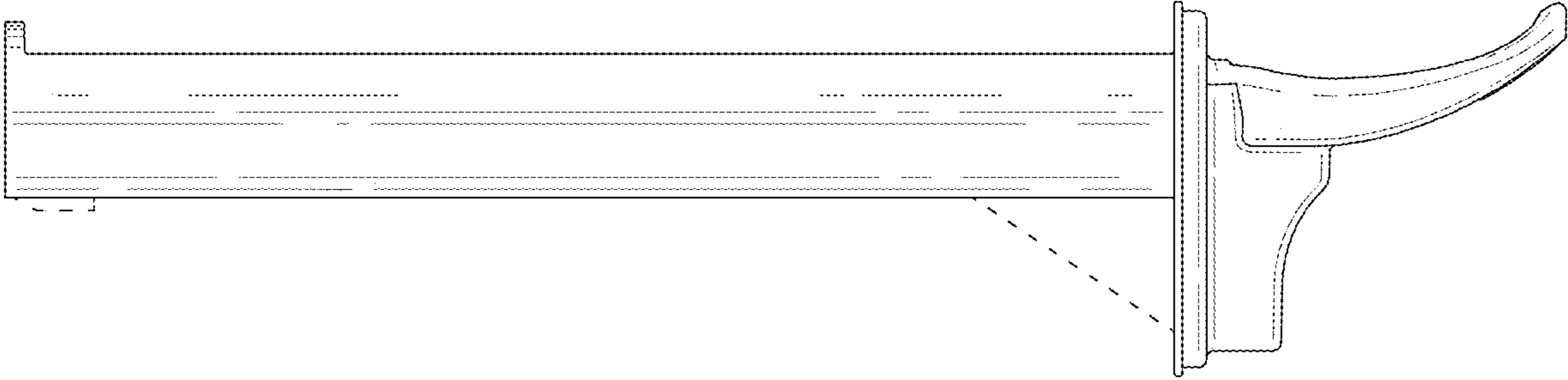


FIG. 6

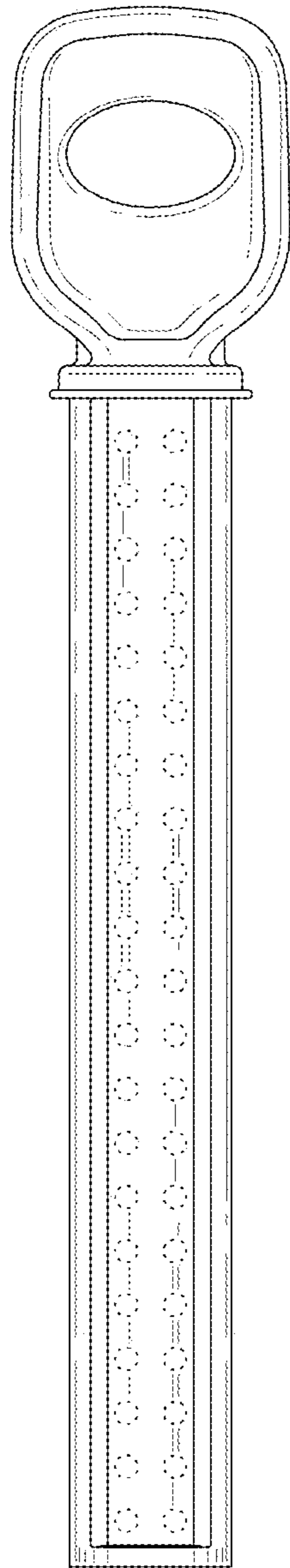


FIG. 7

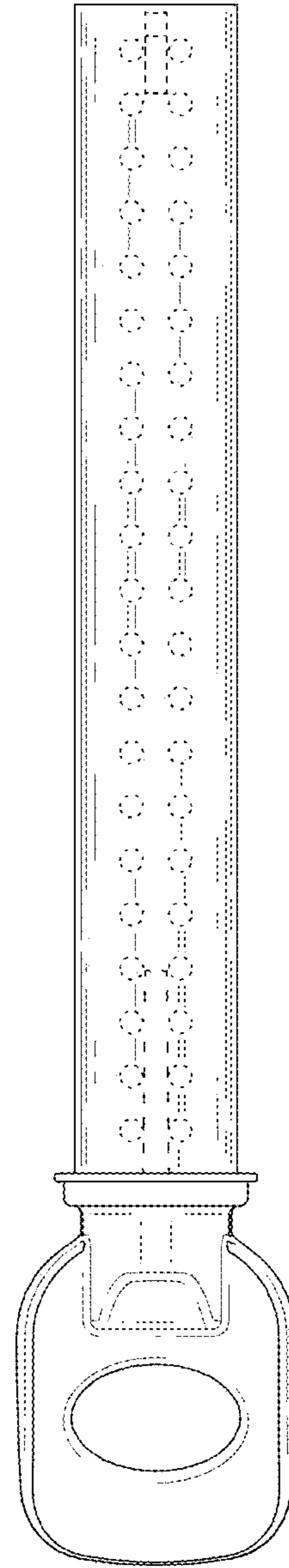


FIG. 8