



US00D971435S

(12) **United States Design Patent** (10) **Patent No.:** **US D971,435 S**
Buse et al. (45) **Date of Patent:** **** Nov. 29, 2022**

(54) **REAGENT PACK**

(71) Applicant: **GEN-PROBE INCORPORATED**, San Diego, CA (US)

(72) Inventors: **David A. Buse**, San Diego, CA (US);
Byron J. Knight, San Diego, CA (US)

(73) Assignee: **GEN-PROBE INCORPORATED**, San Diego, CA (US)

(**) Term: **15 Years**

(21) Appl. No.: **29/751,803**

(22) Filed: **Sep. 23, 2020**

Related U.S. Application Data

(63) Continuation of application No. 16/016,152, filed on Jun. 22, 2018, now Pat. No. 10,975,416, which is a continuation of application No. 15/675,206, filed on Aug. 11, 2017, now Pat. No. 10,711,297, which is a continuation of application No. 14/213,900, filed on Mar. 14, 2014, now Pat. No. 9,732,374.

(51) **LOC (13) Cl.** **24-02**

(52) **U.S. Cl.**
USPC **D24/226**

(58) **Field of Classification Search**
USPC D24/112–114, 108, 130, 127, 133, 186, D24/224, 226, 227, 229, 230; D3/203.1, D3/203.3
CPC .. A61M 25/065; A61M 5/42; A61M 25/0612; A61M 25/00; A61M 39/00; A61M 25/0043; A61M 25/0067; A61M 25/0097; A61F 2/958; B65D 41/04; B01L 3/527; B01F 35/55; G01N 21/253; G01N 35/1002

See application file for complete search history.

(56) **References Cited**

U.S. PATENT DOCUMENTS

D265,508 S *	7/1982	Rusteberg	D7/619.1
D620,603 S *	7/2010	Talmer	D24/224
D672,881 S *	12/2012	Kraihanzel	D24/224
D686,724 S *	7/2013	Au	D24/108
D769,456 S *	10/2016	Dulaff	D24/224
D771,805 S *	11/2016	Brooker	D24/128
D861,157 S *	9/2019	Hubanks	D24/127
D927,685 S *	8/2021	Buse	D24/121
D938,612 S *	12/2021	Liu	D24/229
D940,305 S *	1/2022	Buse	A01N 1/0289 D24/121
2005/0170356 A1 *	8/2005	Kureshy	G01N 35/1016 435/7.1

* cited by examiner

Primary Examiner — Omeed Agilee

(74) *Attorney, Agent, or Firm* — Sterne, Kessler, Goldstein & Fox P.L.L.C.; Charles B. Cappellari

(57) **CLAIM**

The ornamental design for a reagent pack, as shown and described.

DESCRIPTION

FIG. 1 is a top front perspective view of a reagent pack showing the claimed design in an environment in which it may be used;

FIG. 2 is a top view thereof; and,

FIG. 3 is an enlarged view of area 3 shown in FIG. 1.

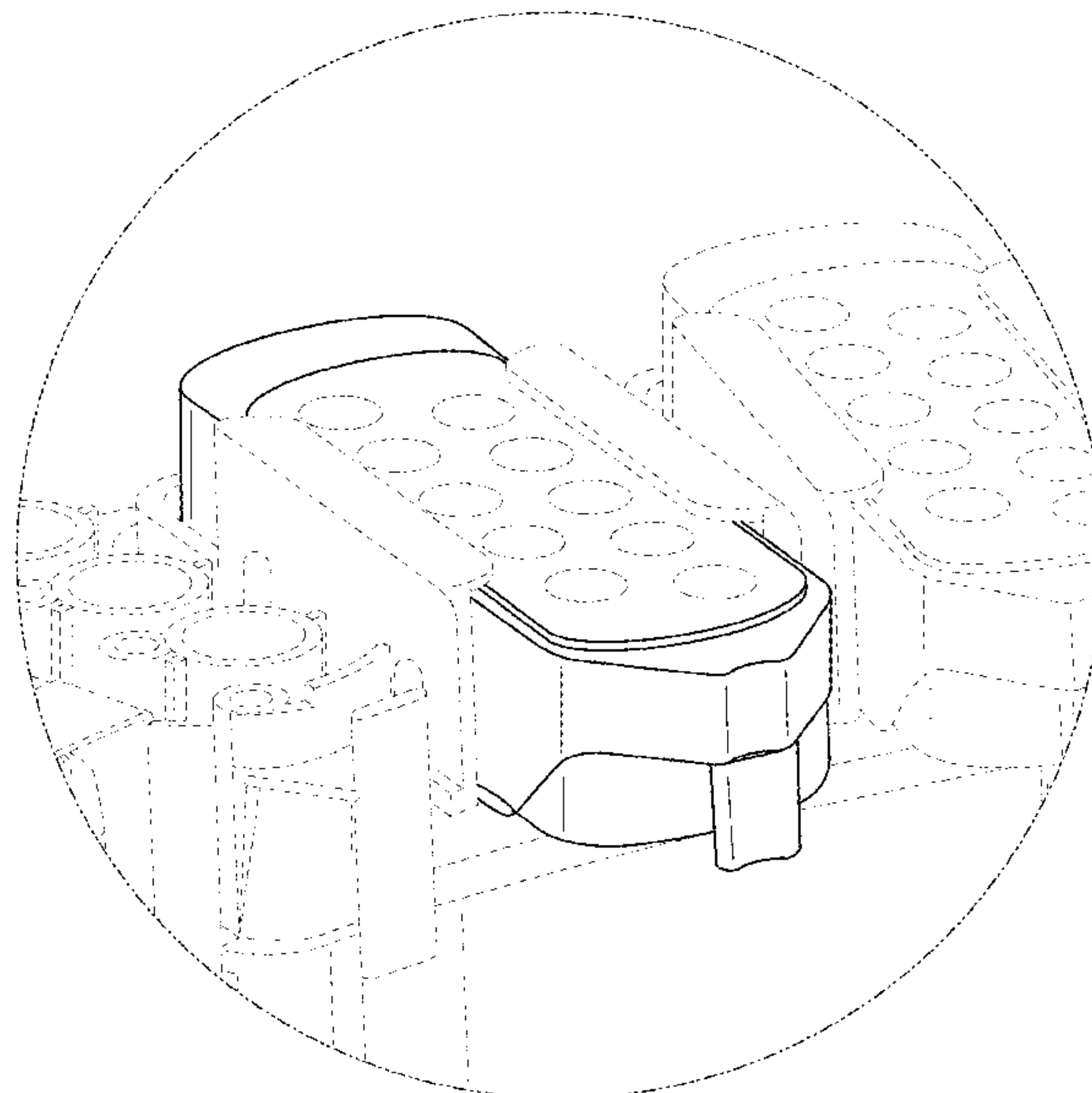
Portions of the reagent pack that are not shown form no part of the claimed design.

The dashed broken lines in the figures show environment that forms no part of the claimed design.

The dot-dash broken lines in the figures show portions of the reagent pack that form no part of the claimed design.

The dot-dot-dash broken lines depict a boundary of the enlarged view and form no part of the claimed design.

1 Claim, 3 Drawing Sheets



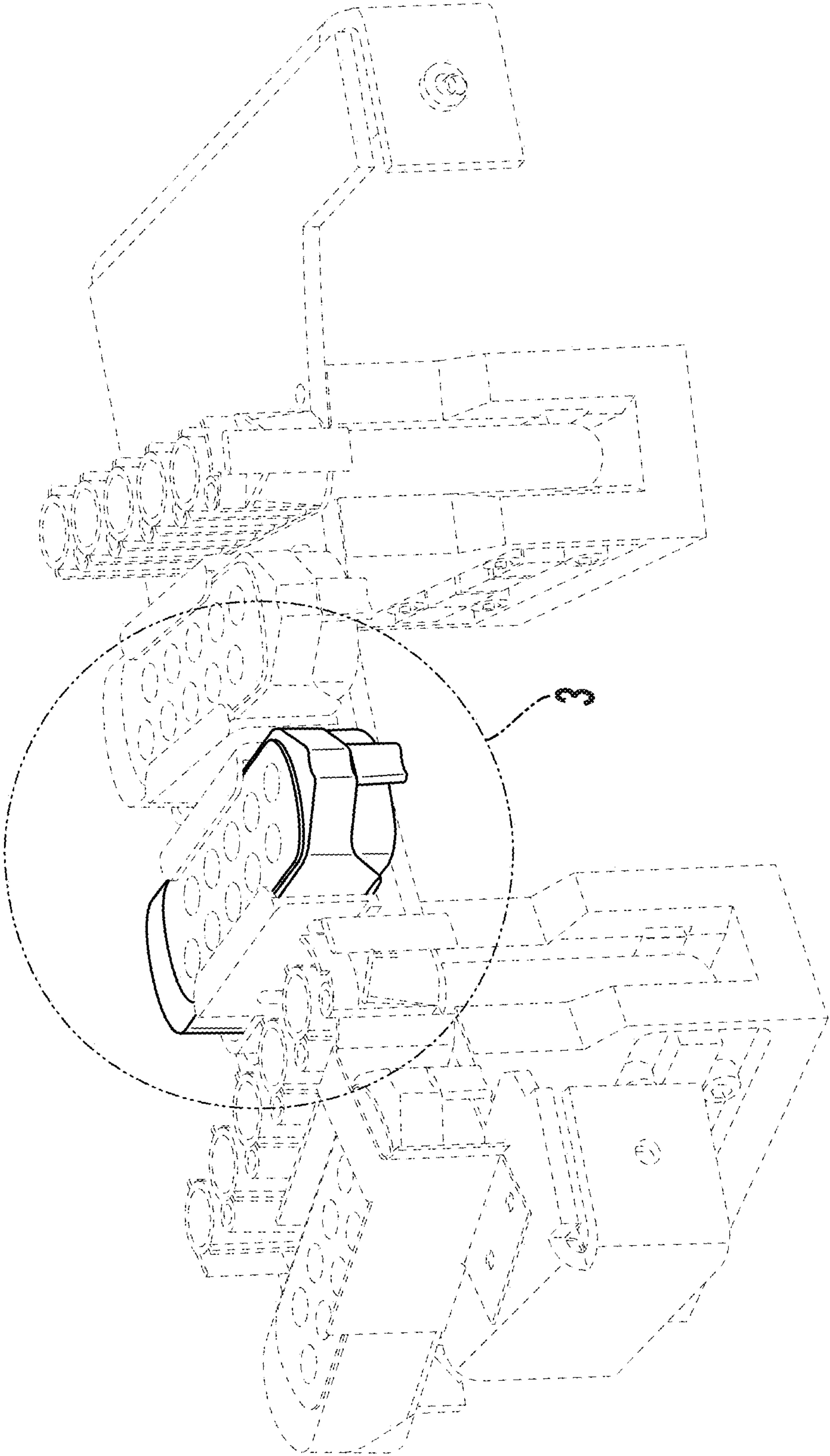


FIG. 1

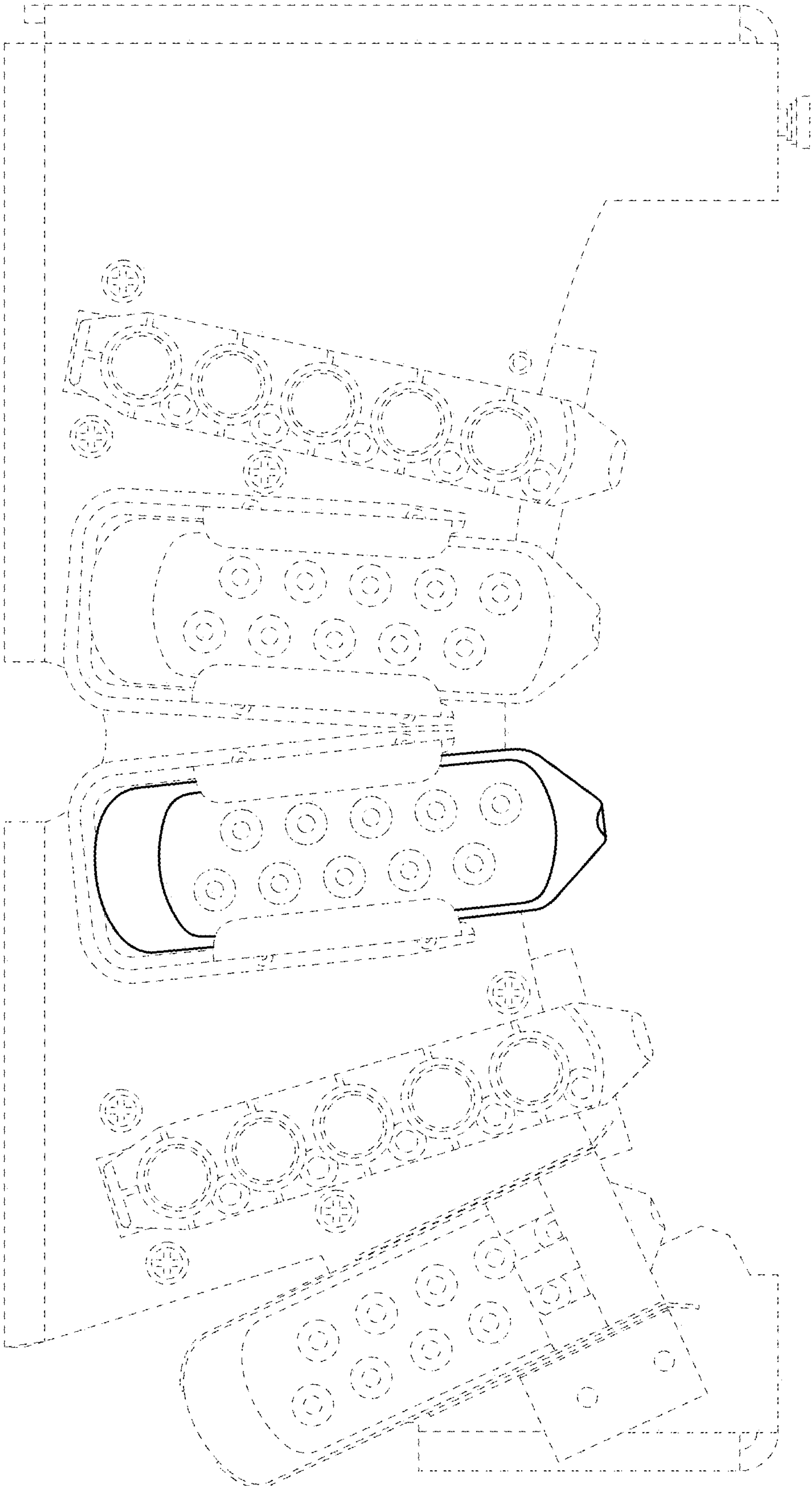


FIG. 2

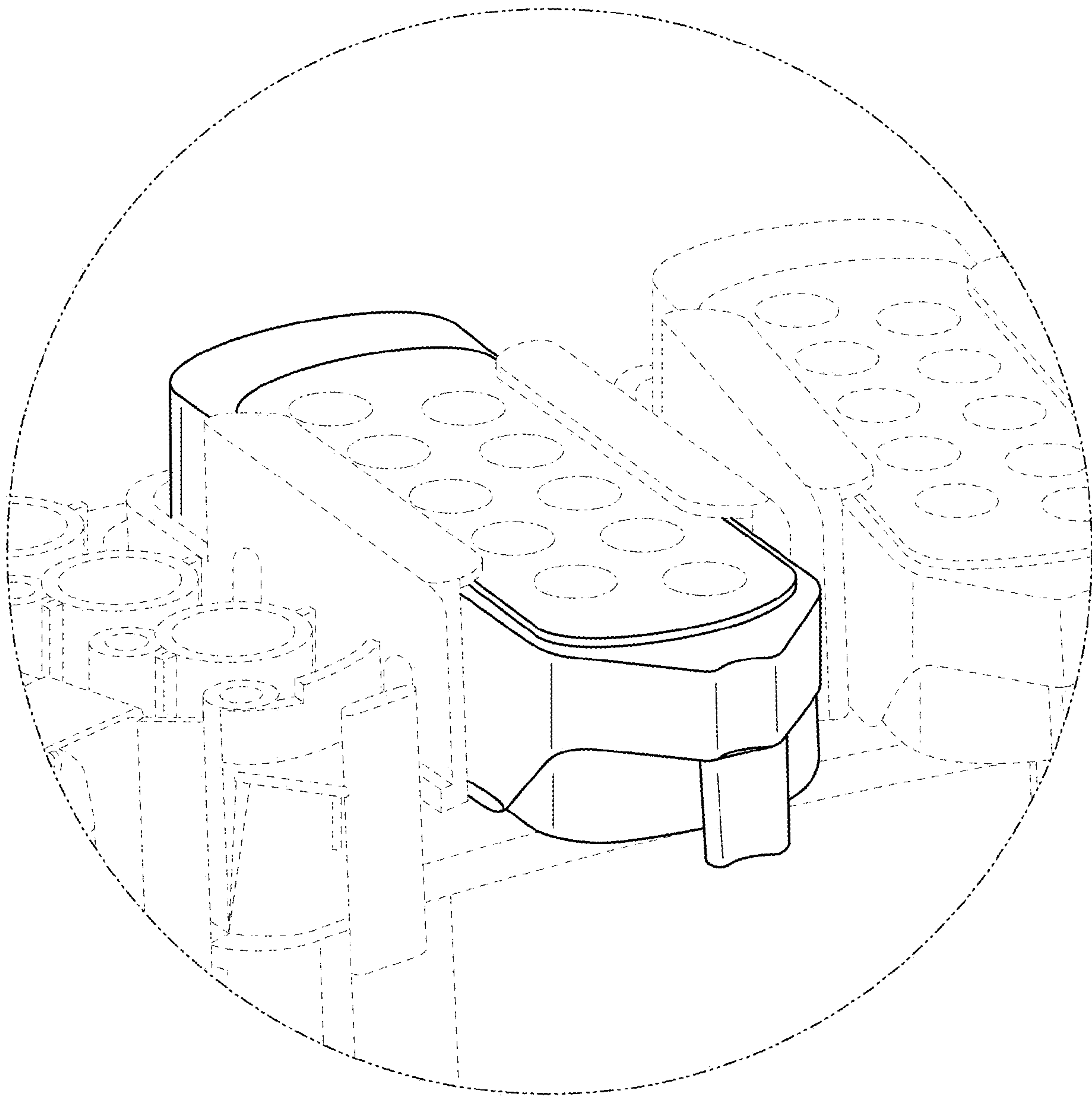


FIG. 3