



US00D971434S

(12) **United States Design Patent** (10) **Patent No.:** **US D971,434 S**
Drüssel et al. (45) **Date of Patent:** **** Nov. 29, 2022**

(54) **RESERVOIR FOR DRUG DELIVERY DEVICE**

(71) Applicant: **Sensile Medical AG**, Olten (CH)

(72) Inventors: **Marco Drüssel**, Fuluibach (CH);
Christian Schmid, Aarau (CH); **Iiona Julianna Troll**, Baden (CH); **Peter Christen**, Obergerlafingen (CH);
Marika Buratti, Aarau (CH)

(**) Term: **15 Years**

(21) Appl. No.: **35/511,005**

(22) Filed: **Jun. 22, 2020**

(80) **Hague Agreement Data**

Int. Filing Date: **Jun. 22, 2020**
Int. Reg. No.: **DM/209274**
Int. Reg. Date: **Jun. 22, 2020**
Int. Reg. Pub. Date: **Dec. 25, 2020**

(30) **Foreign Application Priority Data**

Dec. 24, 2019 (CH) 145092

(51) **LOC (13) Cl.** **24-01**

(52) **U.S. Cl.**
USPC **D24/224**

(58) **Field of Classification Search**

USPC D24/113, 130, 224; D10/46.2, 96, 101
CPC A61M 5/14248; A61M 2005/14252
See application file for complete search history.

(56) **References Cited**

U.S. PATENT DOCUMENTS

831,939 A * 9/1906 Deming G01F 19/00
422/74
D212,840 S * 11/1968 Price D10/46.2
D355,644 S 2/1995 Risko
D359,920 S 7/1995 Sakamoto
D366,840 S * 2/1996 Schagerstrom D24/224

D419,090 S * 1/2000 Folos D10/101
D425,625 S * 5/2000 Niermann D24/224
D467,890 S 12/2002 Lai et al.
D475,047 S 5/2003 Choi et al.
D479,746 S 9/2003 Tyce
D488,471 S 4/2004 Yagawa et al.
D525,549 S * 7/2006 Crewz D10/101
D599,793 S 9/2009 Ko et al.
D639,445 S * 6/2011 Newman D20/27
D650,088 S * 12/2011 Motadel D24/224
D654,078 S 2/2012 Zhou et al.
D665,919 S * 8/2012 Newman D20/28
D667,960 S * 9/2012 Wilkinson D24/224
D695,391 S 12/2013 Takemoto et al.
D695,392 S 12/2013 Tani
D695,394 S 12/2013 Takemoto et al.

(Continued)

OTHER PUBLICATIONS

Sensile Medical Customer Newsletter. Update .28. Jul. 2019. https://www.gerresheimer.com/fileadmin/user_upload/user_upload/Company/newsroom/newsletter/healthcare-pharma/2019/Gx_Update28_en.pdf (Year: 2019).*

(Continued)

Primary Examiner — Darcey E Gottschalk

(57) **CLAIM**

The ornamental design for a reservoir for drug delivery device, as shown and described.

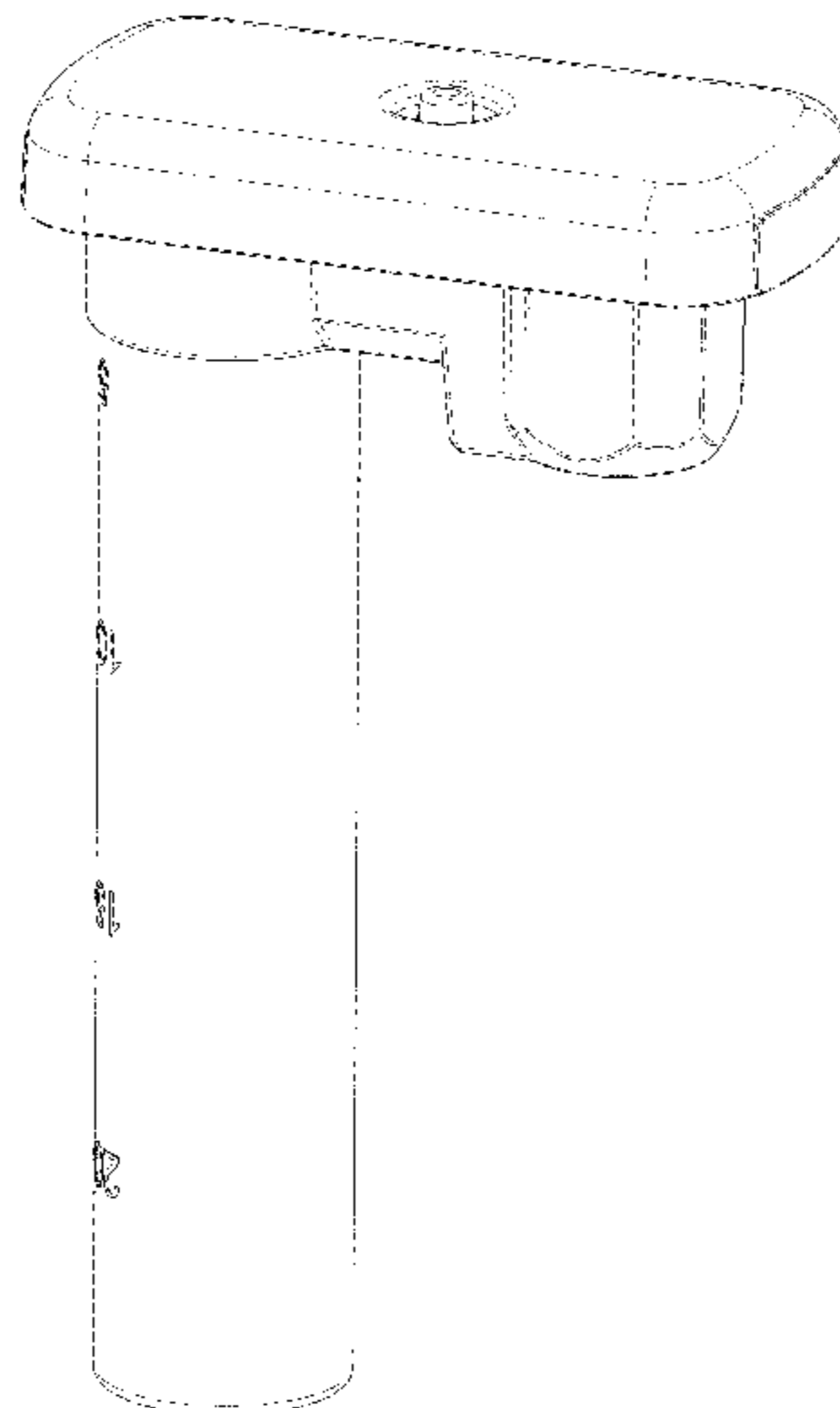
DESCRIPTION

1. Reservoir for drug delivery device

- 1.1 : Perspective
- 1.2 : Front
- 1.3 : Back
- 1.4 : Top
- 1.5 : Bottom
- 1.6 : Left
- 1.7 : Right

The broken lines depict portions of the reservoir and drug delivery device that form no part of the claimed design.

1 Claim, 7 Drawing Sheets



(56)

References Cited

U.S. PATENT DOCUMENTS

D695,395 S 12/2013 Tani et al.
 D732,410 S 6/2015 Waaler et al.
 D771,244 S 11/2016 Takemoto et al.
 D776,119 S 1/2017 Plante et al.
 D778,669 S * 2/2017 Kestenbaum D7/397
 D802,459 S * 11/2017 Lemke D10/96
 D819,398 S * 6/2018 Kestenbaum D7/397
 D824,040 S * 7/2018 Demmink D24/224
 D845,151 S * 4/2019 Logue D10/46.2
 D848,295 S * 5/2019 Johnson D10/101
 D875,966 S * 2/2020 Smith D24/224
 D875,967 S * 2/2020 Park D9/523
 10,695,491 B2 * 6/2020 Day A61M 5/31525
 11,160,922 B2 11/2021 Just
 D941,996 S 1/2022 Tani
 D952,867 S * 5/2022 Caneppele D24/189
 D953,536 S * 5/2022 Xia D24/174
 D955,566 S * 6/2022 Gregory D24/113
 D959,678 S * 8/2022 Caneppele D24/189
 D959,978 S * 8/2022 Canlas D9/433
 D961,375 S * 8/2022 Chen D9/420
 D962,762 S * 9/2022 Bouqdib D9/432
 2006/0250764 A1 11/2006 Howarth et al.
 2006/0258409 A1 11/2006 Kogan
 2008/0019082 A1 1/2008 Krieger et al.
 2008/0157716 A1 7/2008 Jo
 2009/0292851 A1 11/2009 Mead et al.

2012/0182675 A1 7/2012 Zhou
 2013/0003291 A1 1/2013 Zhou
 2021/0361920 A1* 11/2021 Tran A61M 37/00

OTHER PUBLICATIONS

Youtube. Instructievideo D-mine pomp by Eurocept Homecare. Dec. 18, 2019. <https://www.youtube.com/watch?v=KoGFjfOjf4Q> (Year: 2019).*

Twitter.@Gerresheimer, Aug. 21, 2019, <https://twitter.com/gerresheimer/status/1164151100884299776>, p. 1.

MedGadget, "D-mine Pump for Continuous Delivery of Parkinson's Meds", Jul. 9, 2019, <https://www.medgadget.com/2019/07/d-mine-pump-for-continuous-delivery-of-parkinsons-meds.html>, pp. 1-2.

NS Medical Devices, "Ever Pharma introduces portable micro infusion device for Parkinson's disease" Jul. 2, 2019, <https://www.nsmedicaldevices.com/news/ever-pharm-micro-infusion-parkinsons>, pp. 1-2.

Healthcare Packaging, Ever Pharma Improves Parkinson Patients' Experience through Micro-Infusion Pump, Aug. 13, 2019, <https://www.healthcarepackaging.com/markets/medical-devices/-packaging/news/13701873/ever-pharma-improves-parkinson-patients-experience-through-microinfusion-pump>, pp. 1-19.

"Gerresheimer extends business model and increases growth forecast", Jul. 11, 2018, pp. 1-6.

"Ever Pharma Launches Innovative, Patient Friendly Subcutaneous Pump for Parkinson's Disease" Jul. 1, 2019, <https://www.businesswire.com/news/home/20190630005001en/Pharma-Launches-Innovative-Patient-Friendly-Subcutaneous-Pump>, pp. 1-3.

* cited by examiner

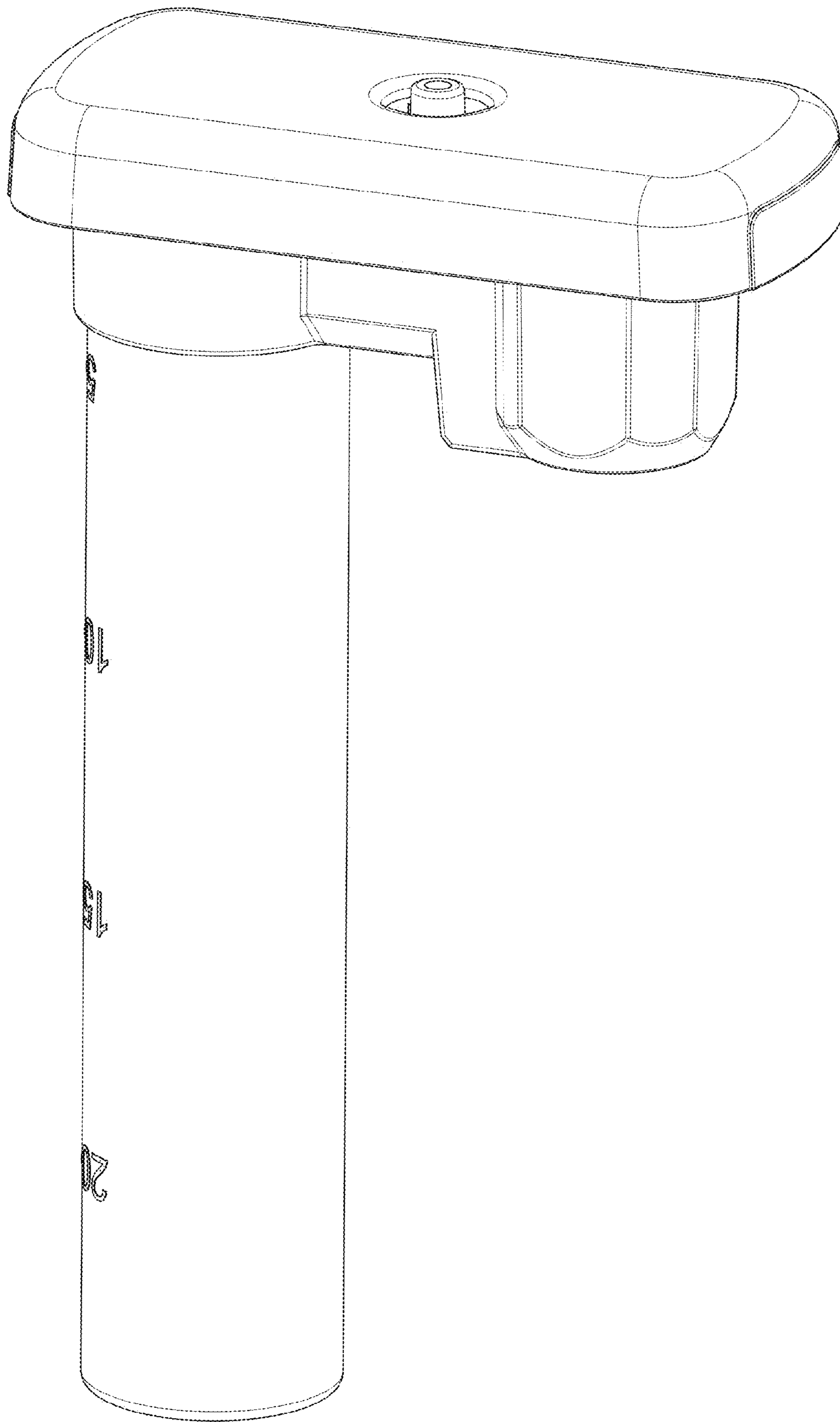


FIG. 1.1

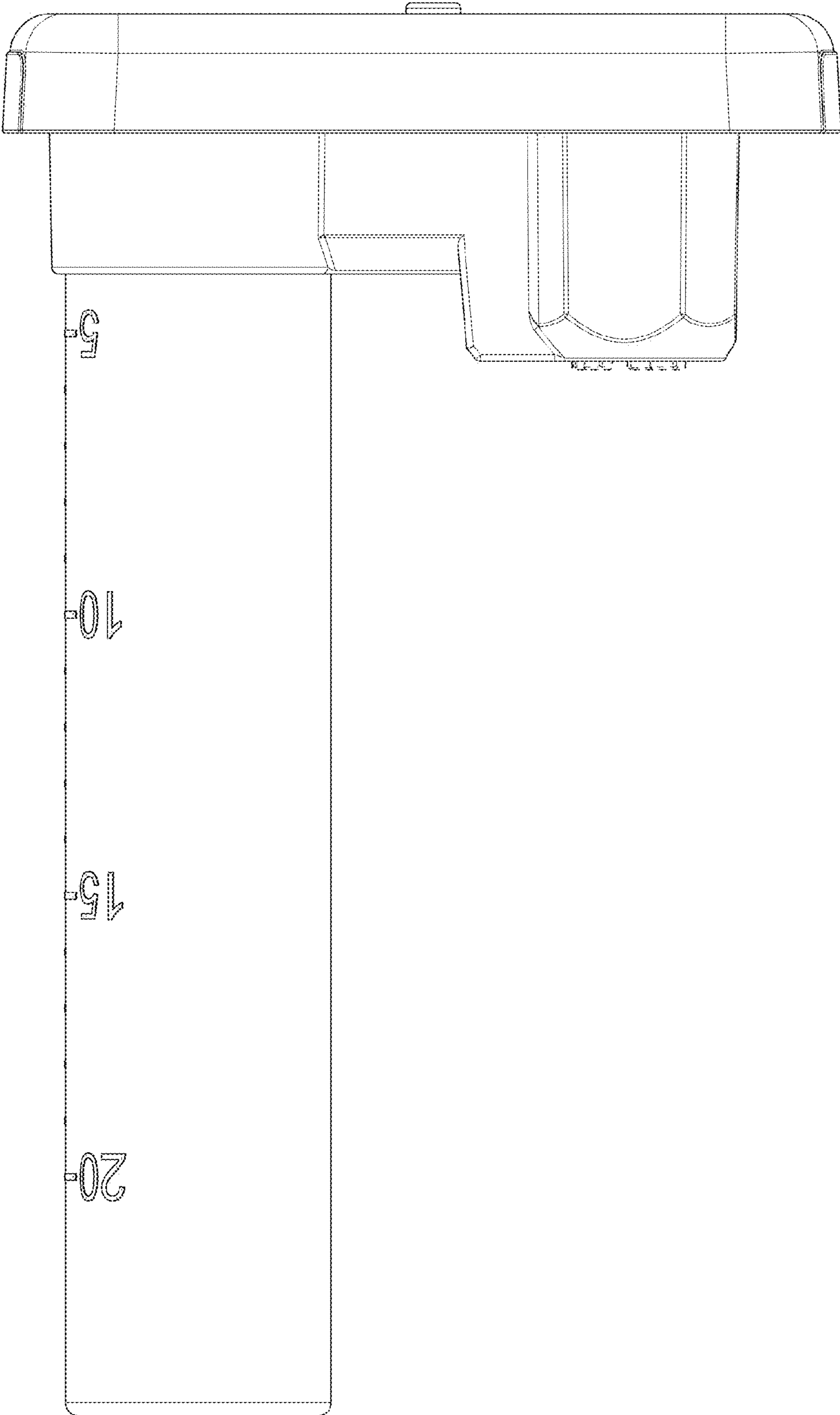


FIG. 1.2

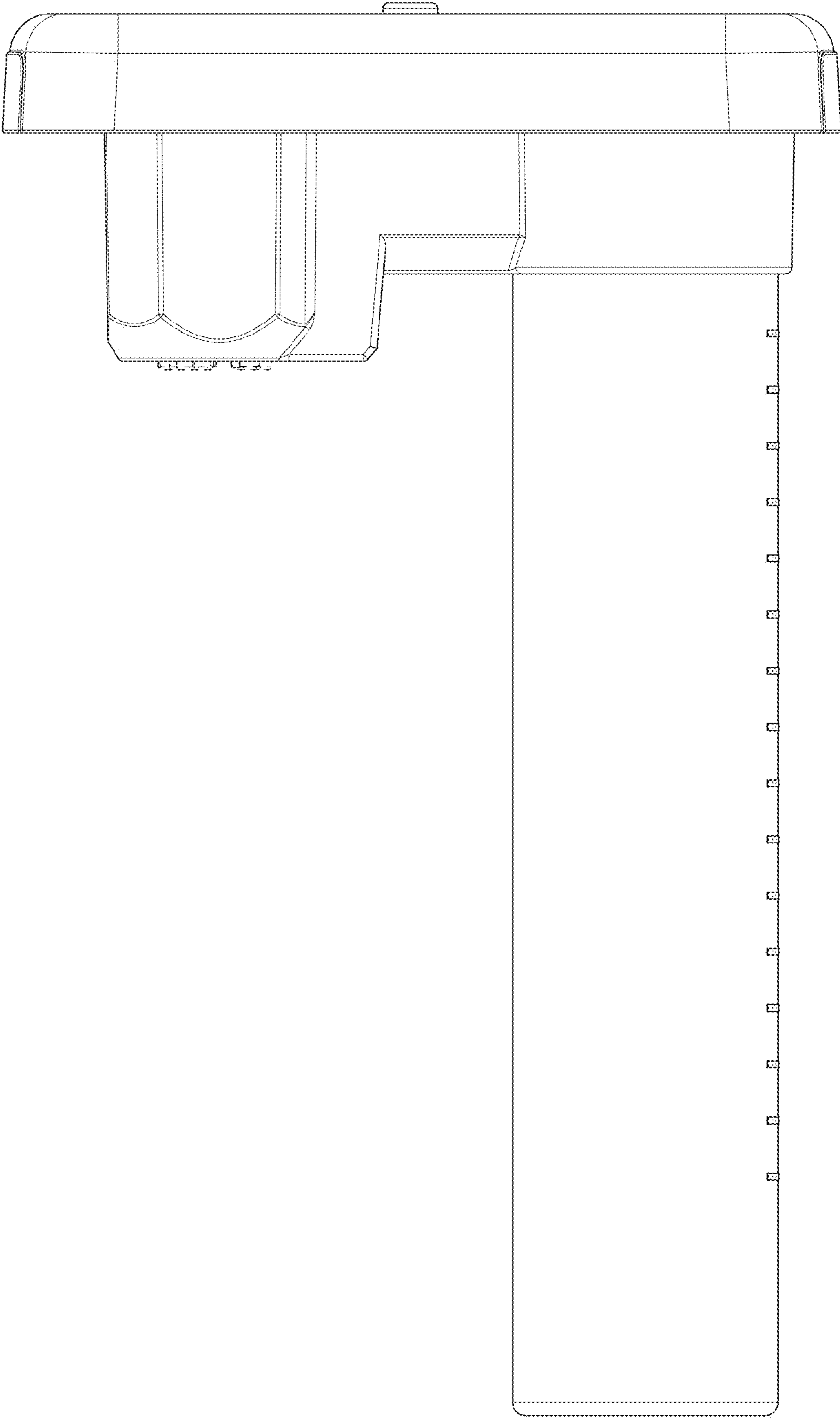


FIG. 1.3

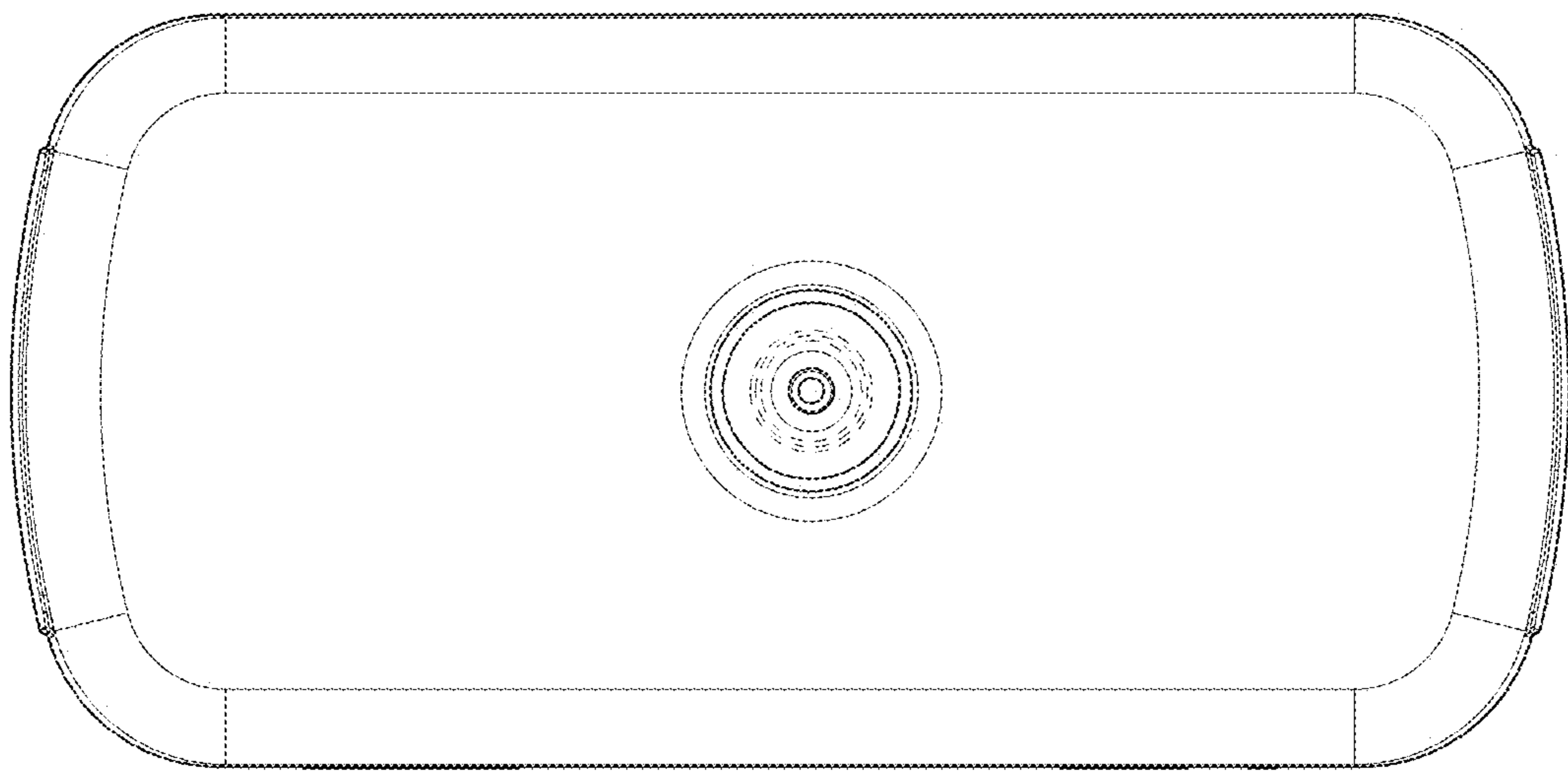


FIG. 1.4

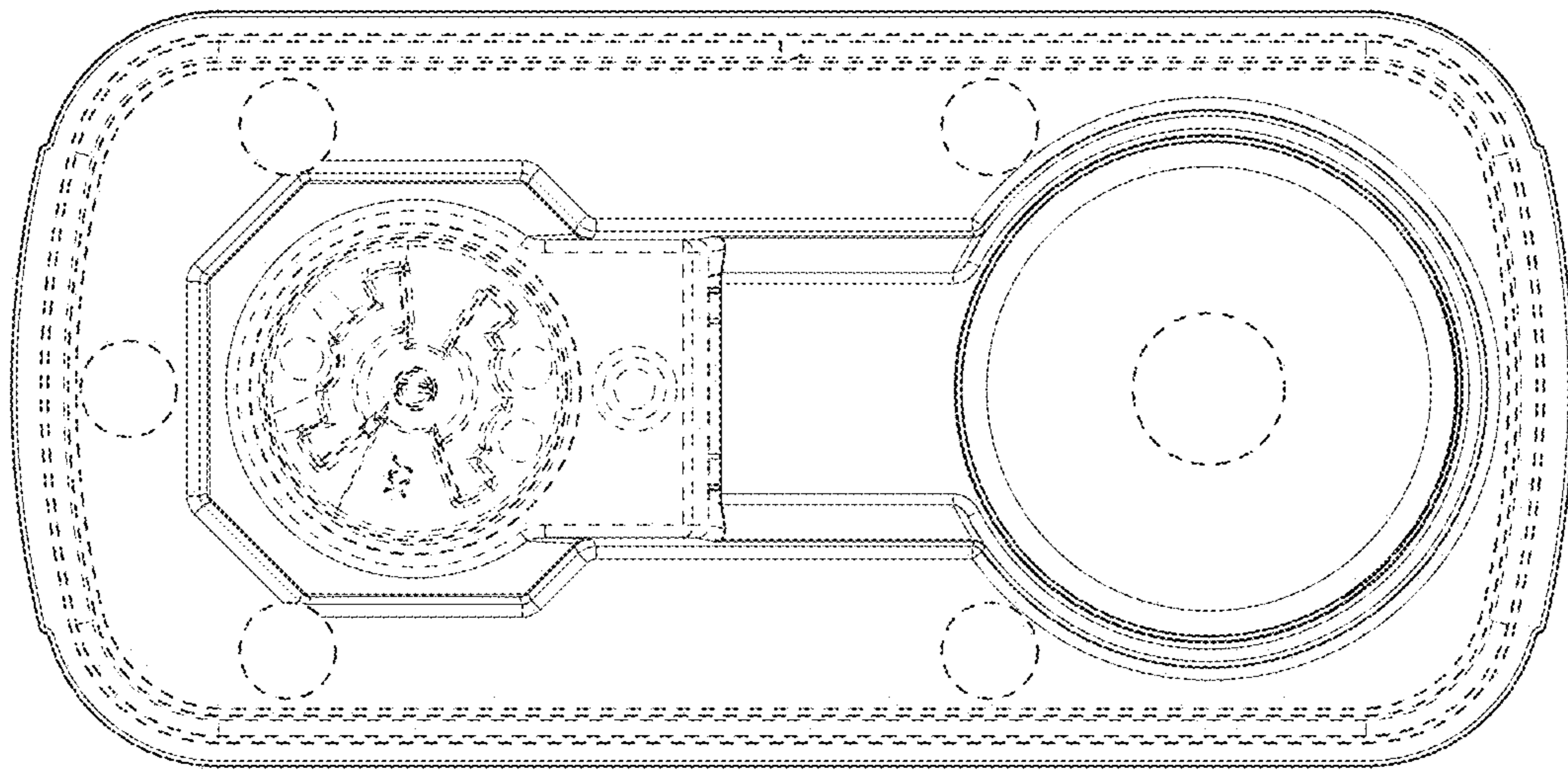


FIG. 1.5

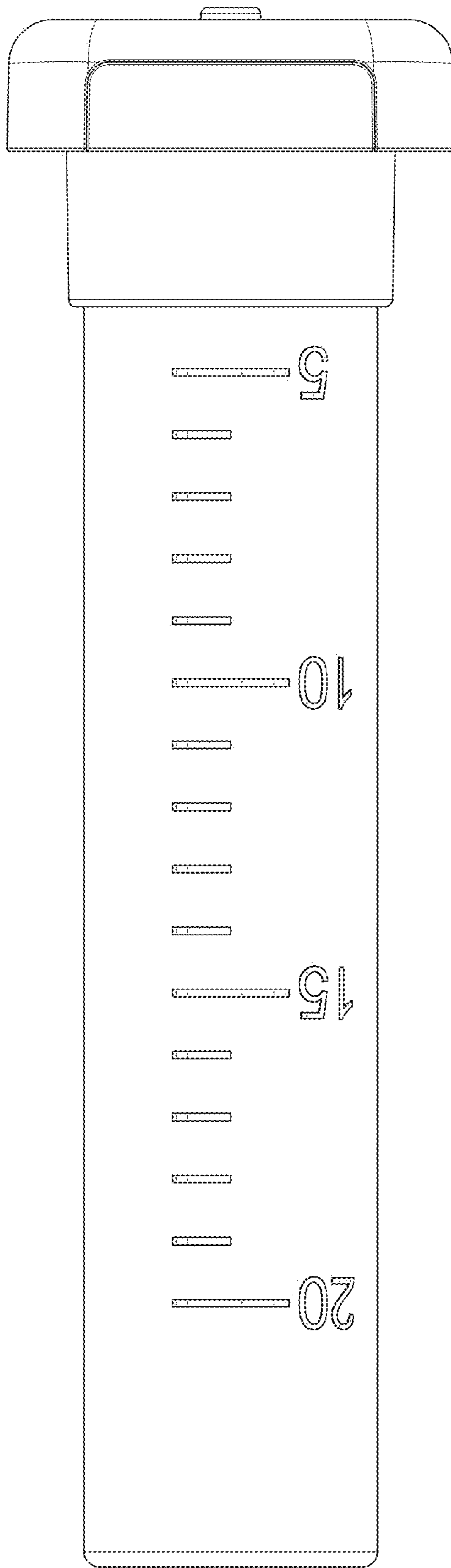


FIG. 1.6

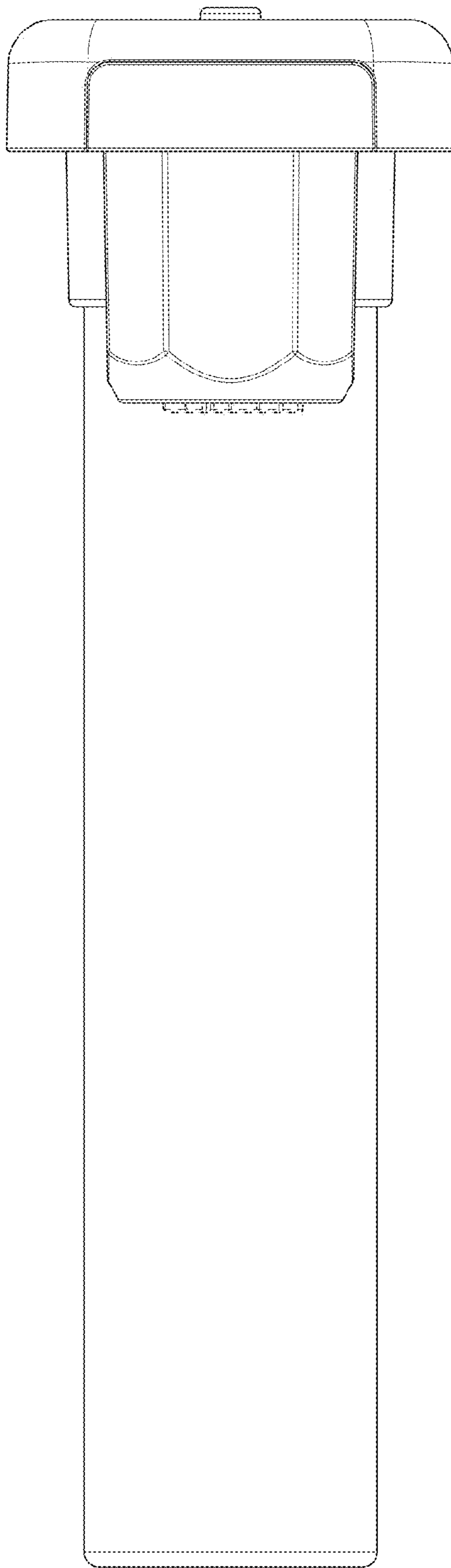


FIG. 1.7