



US00D971432S

(12) **United States Design Patent** (10) **Patent No.:** **US D971,432 S**
Best (45) **Date of Patent:** **** Nov. 29, 2022**

(54) **DIAGNOSTIC DEVICE COMPONENT**

(71) Applicant: **Bayer Consumer Care AG**, Basel (CH)

(72) Inventor: **Michael Best**, Southampton (GB)

(73) Assignee: **Bayer Consumer Care AG**, Basel (CH)

(**) Term: **15 Years**

(21) Appl. No.: **29/777,137**

(22) Filed: **Apr. 2, 2021**

(30) **Foreign Application Priority Data**

Mar. 23, 2021 (EM) 008472138

(51) **LOC (13) Cl.** **24-01**

(52) **U.S. Cl.**
USPC **D24/216**

(58) **Field of Classification Search**

USPC D24/107, 186, 216, 232, 121, 122, 223,
D24/224, 225, 227, 231; D10/81

CPC A61B 10/0051; A61B 10/0096; C12Q
1/6883; C12Q 1/6806; B01L 3/5023;
B01L 3/523; B01L 3/565; B01L
2300/0809

See application file for complete search history.

(56) **References Cited**

U.S. PATENT DOCUMENTS

D323,399 S * 1/1992 Leno D24/224
D560,281 S * 1/2008 Kozak D24/216

D561,344 S * 2/2008 Kozak D24/216
D594,131 S * 6/2009 Nguyen D24/216
D788,315 S * 5/2017 Matsuura D24/224
D864,774 S * 10/2019 Lei D24/186
D888,271 S * 6/2020 Pirod D24/224
D923,195 S * 6/2021 Harding D24/224
D954,287 S * 6/2022 Fry B01L 3/5029
D24/223
2006/0057027 A1 * 3/2006 Hudak A61B 10/0051
422/549
2018/0267030 A1 * 9/2018 Fiechtner G01N 33/54306
2019/0339263 A1 * 11/2019 Lei G01N 33/94
2021/0215585 A1 * 7/2021 Fruchter A61B 10/0051

* cited by examiner

Primary Examiner — Anhdao Doan

(74) *Attorney, Agent, or Firm* — Lowenstein Sandler LLP

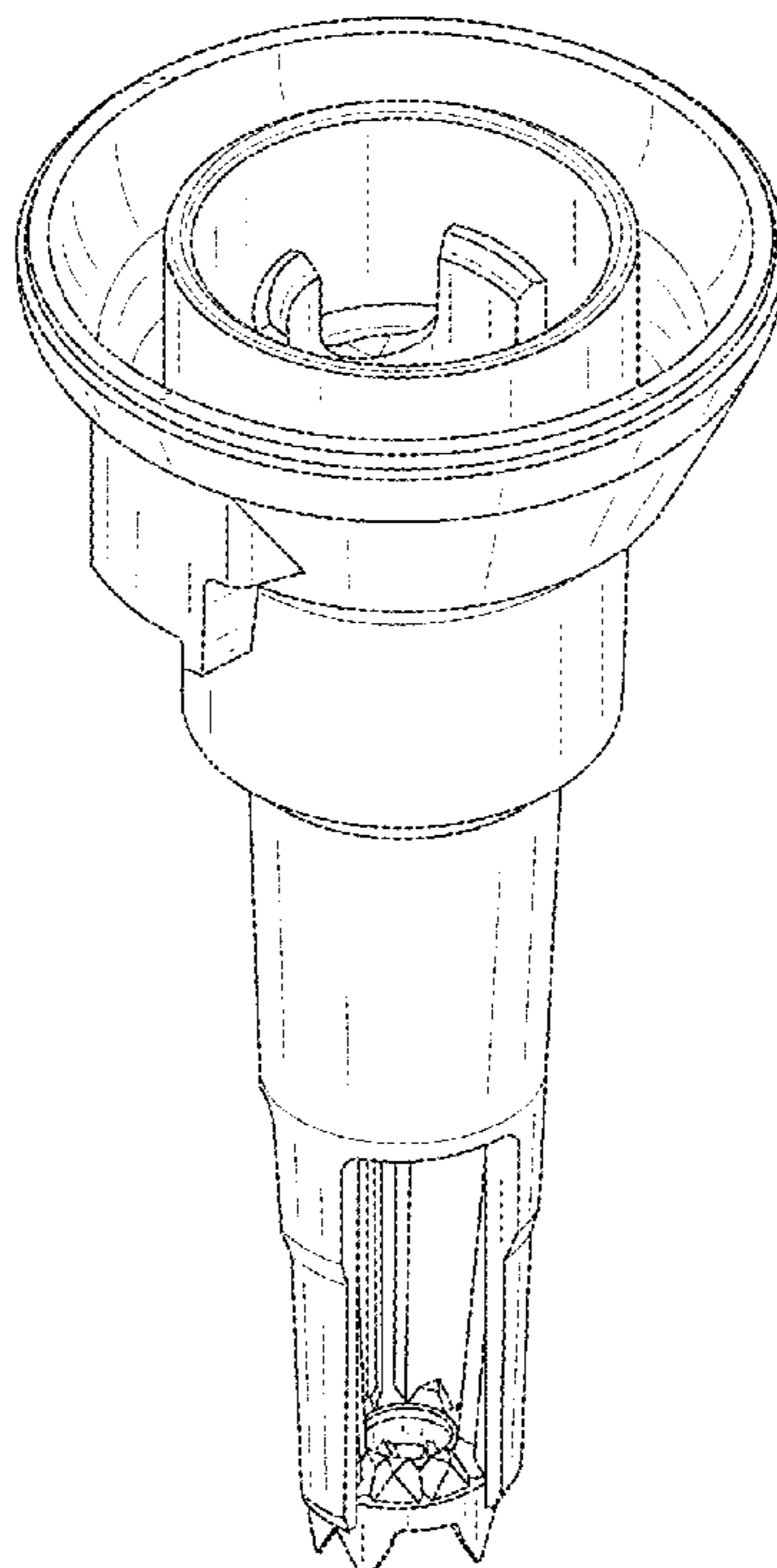
(57) **CLAIM**

The ornamental design for a diagnostic device component, as shown and described.

DESCRIPTION

FIG. 1 is a perspective view of a diagnostic device component showing our new design in accordance with an embodiment of the invention;
FIG. 2 is a front elevation view thereof;
FIG. 3 is a rear elevation view thereof;
FIG. 4 is a right side elevation view thereof;
FIG. 5 is a left side elevation view thereof;
FIG. 6 is a top plan view thereof; and,
FIG. 7 is a bottom plan view thereof.

1 Claim, 6 Drawing Sheets



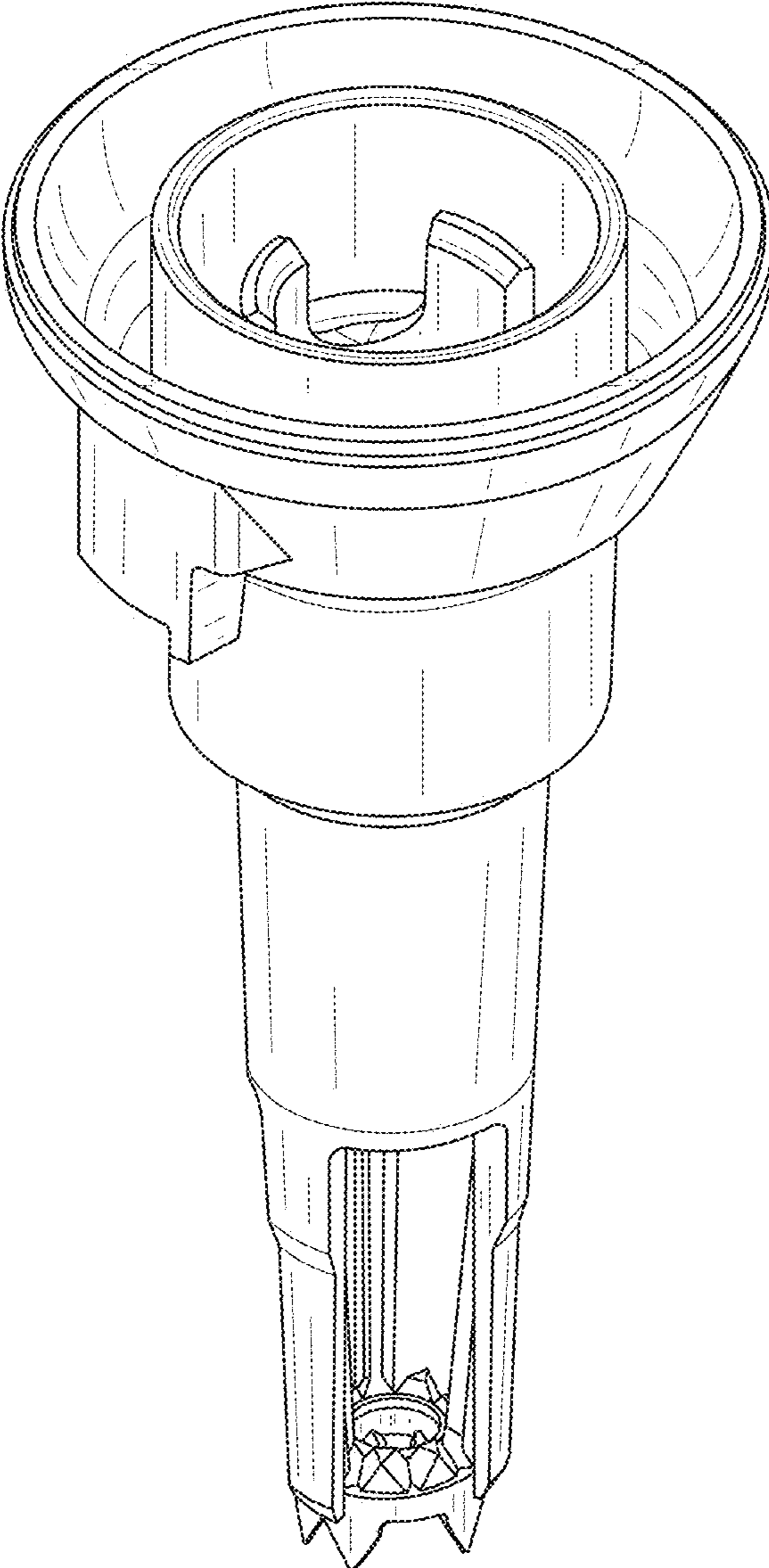


FIG. 1

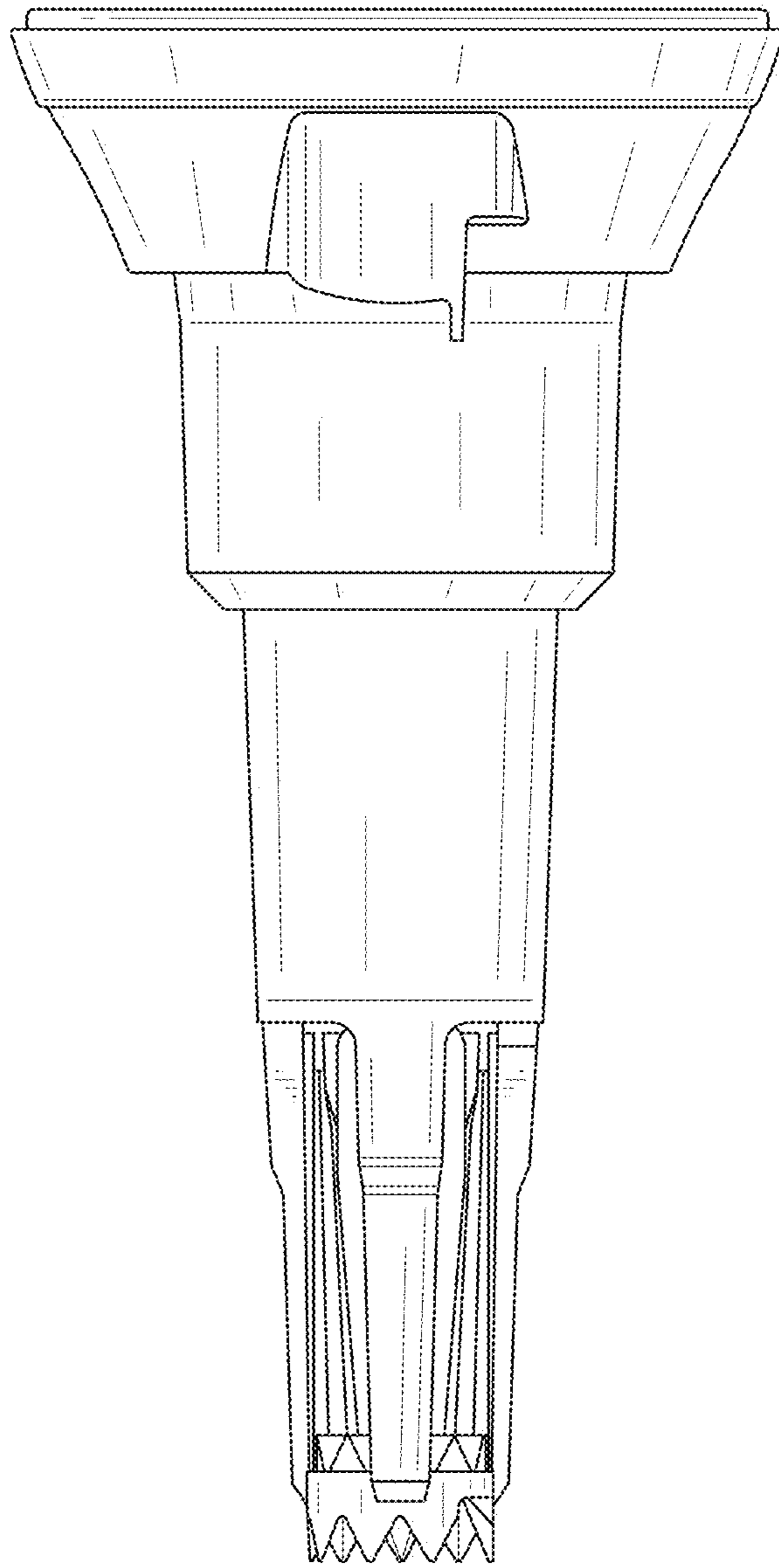


FIG. 2

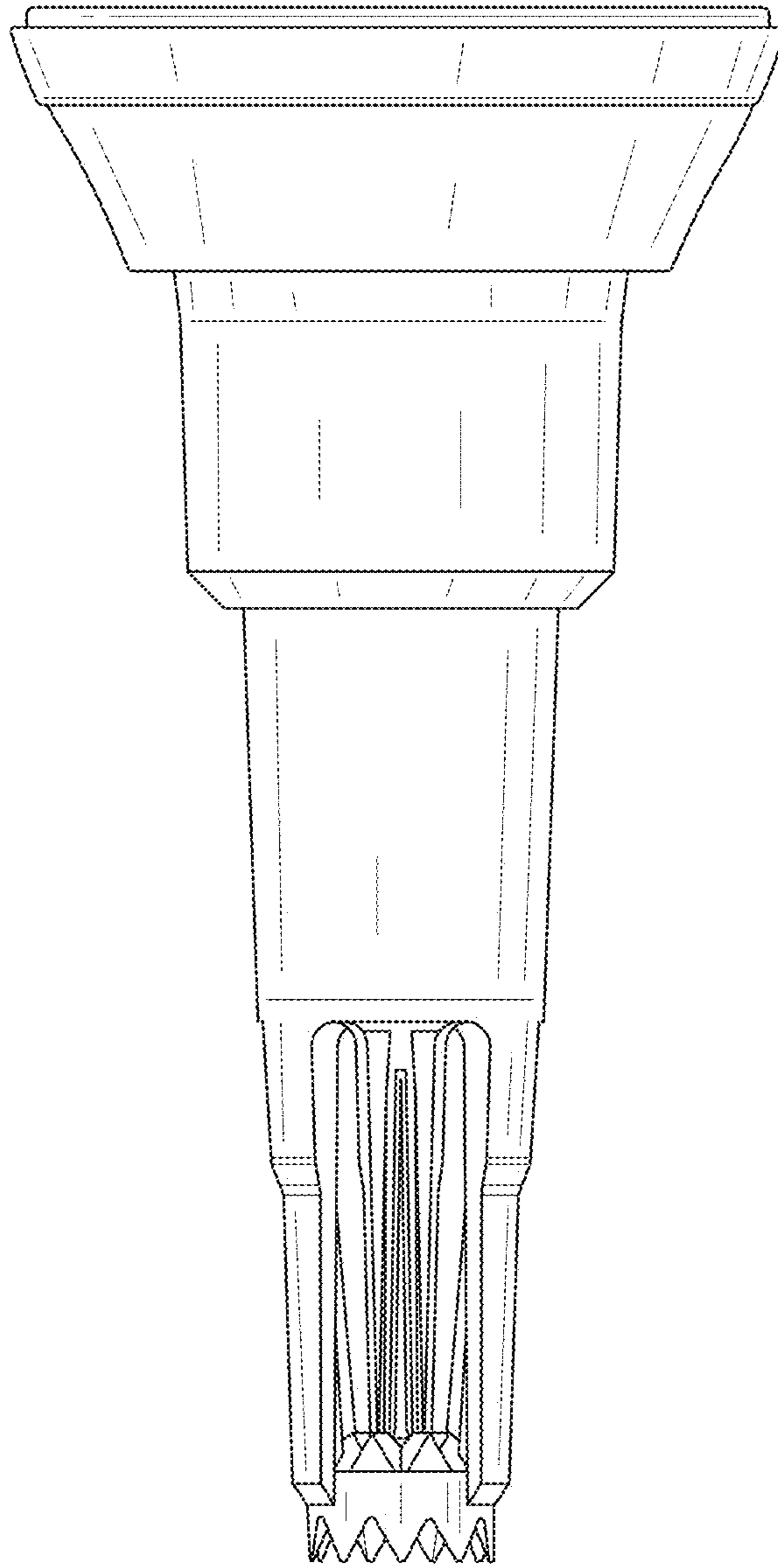


FIG. 3

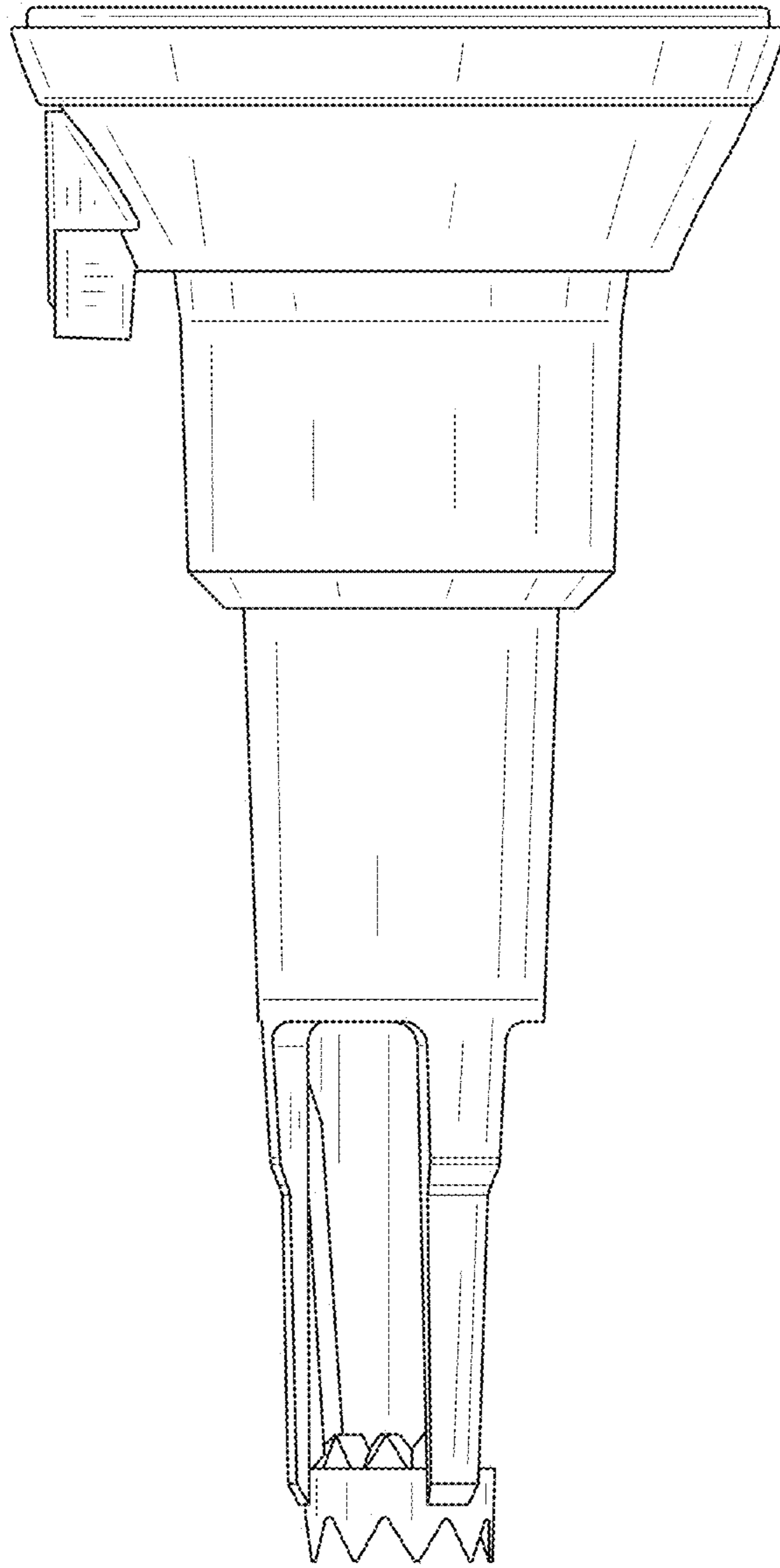


FIG. 4

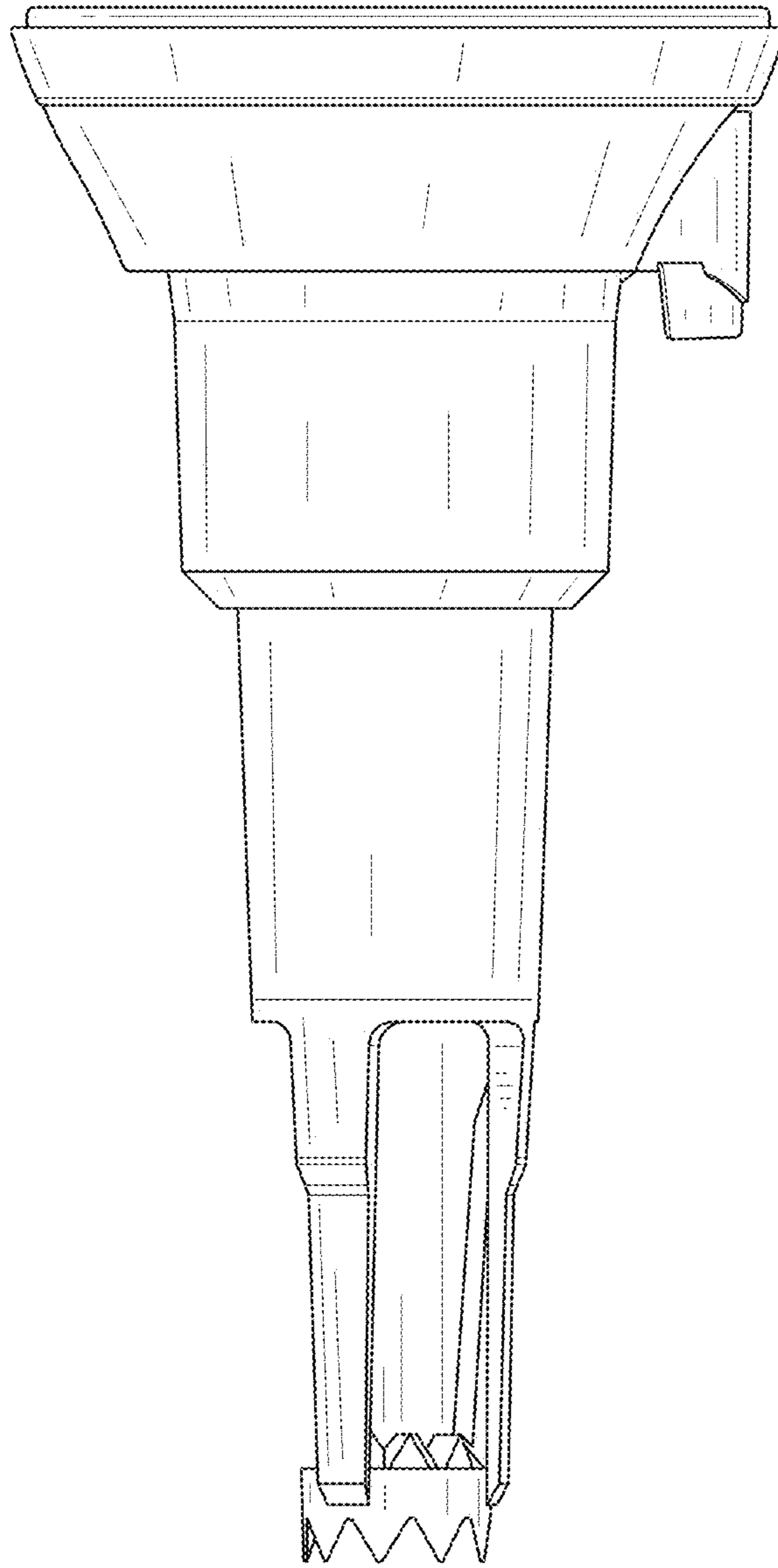


FIG. 5

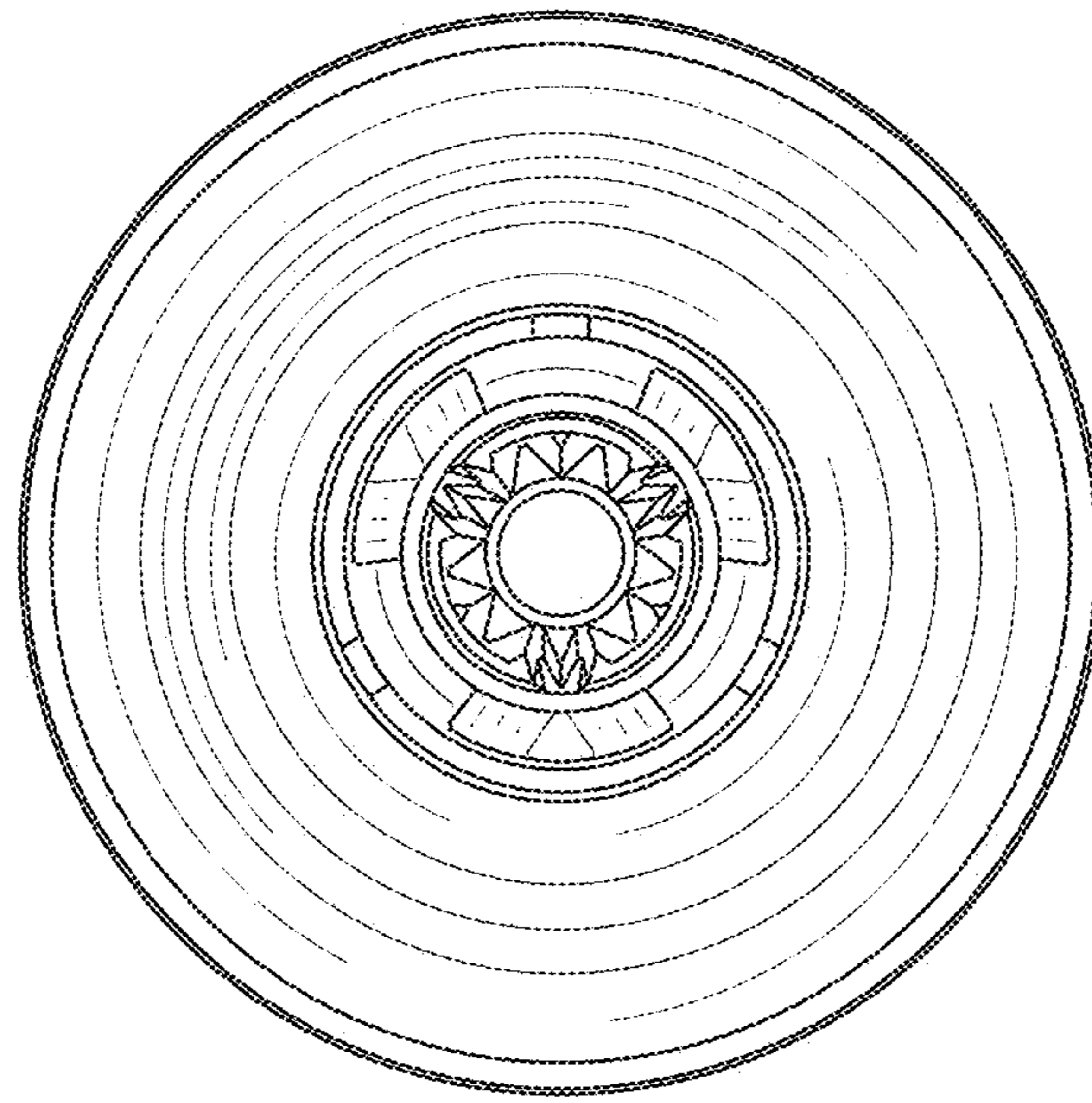


FIG. 6

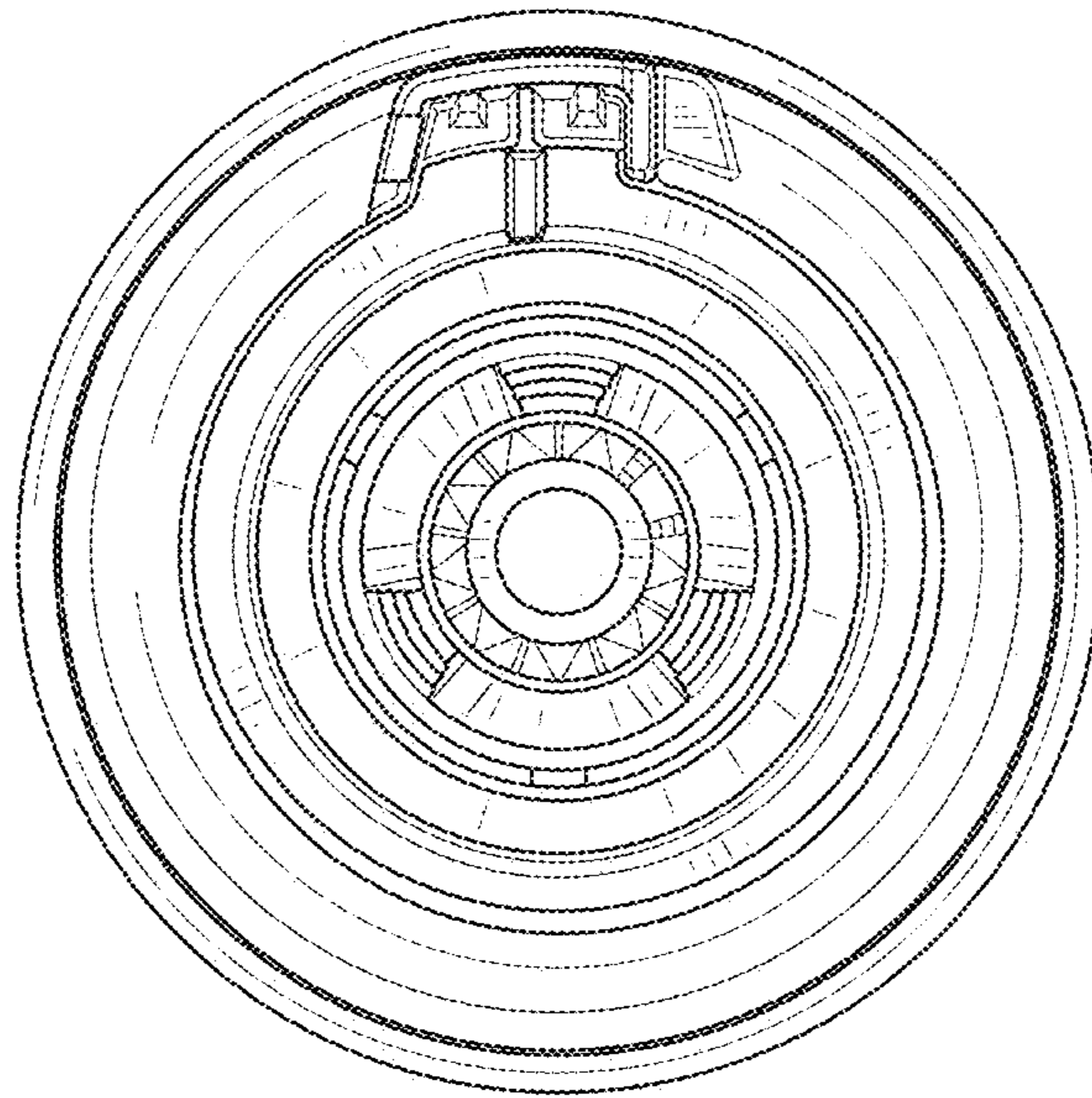


FIG. 7