



US00D971431S

(12) **United States Design Patent** (10) **Patent No.:** **US D971,431 S**  
**Best** (45) **Date of Patent:** **\*\* Nov. 29, 2022**

(54) **DIAGNOSTIC DEVICE**  
(71) Applicant: **Bayer Consumer Care AG**, Basel (CH)  
(72) Inventor: **Michael Best**, Southampton (GB)  
(73) Assignee: **Bayer Consumer Care AG**, Basel (CH)

(\*\*) Term: **15 Years**  
(21) Appl. No.: **29/777,135**

(22) Filed: **Apr. 2, 2021**

(30) **Foreign Application Priority Data**

Mar. 23, 2021 (EM) ..... 008472138

(51) **LOC (13) Cl.** ..... **24-01**  
(52) **U.S. Cl.**  
USPC ..... **D24/216**

(58) **Field of Classification Search**  
USPC ..... D24/107, 186, 216, 232, 121, 122, 223,  
D24/224, 225, 227, 231; D10/81  
CPC ..... A61B 10/0051; A61B 10/0096; C12Q  
1/6883; C12Q 1/6806; B01L 3/5023;  
B01L 3/523; B01L 3/565; B01L  
2300/0809  
See application file for complete search history.

(56) **References Cited**

**U.S. PATENT DOCUMENTS**

D323,399 S \* 1/1992 Leno ..... D24/224  
D560,281 S \* 1/2008 Kozak ..... D24/216

D561,344 S \* 2/2008 Kozak ..... D24/216  
D594,131 S \* 6/2009 Nguyen ..... D24/216  
D788,315 S \* 5/2017 Matsuura ..... D24/224  
D864,774 S \* 10/2019 Lei ..... D24/186  
D888,271 S \* 6/2020 Pirod ..... D24/224  
D923,195 S \* 6/2021 Harding ..... D24/224  
D954,287 S \* 6/2022 Fry ..... B01L 3/5029  
D24/223  
2006/0057027 A1 \* 3/2006 Hudak ..... A61B 10/0051  
422/549  
2018/0267030 A1 \* 9/2018 Fiechtner ..... G01N 33/54306  
2019/0339263 A1 \* 11/2019 Lei ..... G01N 33/94  
2021/0215585 A1 \* 7/2021 Fruchter ..... A61B 10/0051

\* cited by examiner

*Primary Examiner* — Anhdao Doan

(74) *Attorney, Agent, or Firm* — Lowenstein Sandler LLP

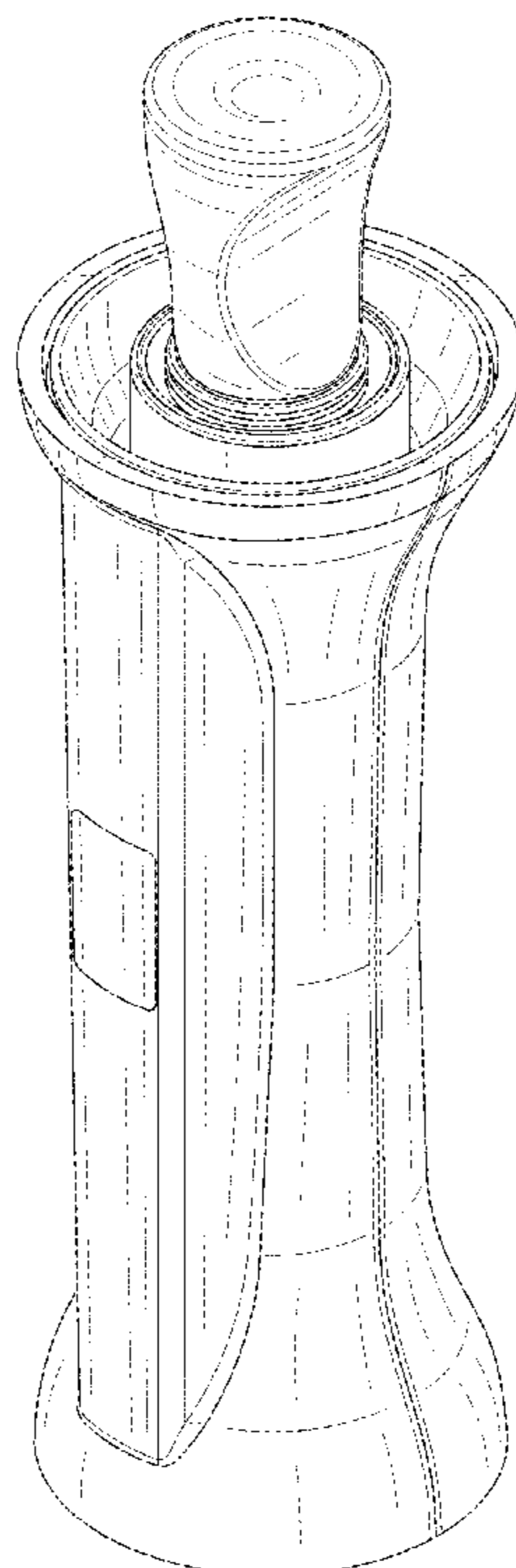
(57) **CLAIM**

The ornamental design for a diagnostic device, as shown and described.

**DESCRIPTION**

FIG. 1 is a top perspective view of a diagnostic device showing our new design in accordance with an embodiment of the invention;  
FIG. 2 is a front view thereof;  
FIG. 3 is a rear view thereof;  
FIG. 4 is a right side view thereof;  
FIG. 5 is a left side view thereof;  
FIG. 6 is a top plan view thereof;  
FIG. 7 is a bottom plan view thereof; and,  
FIG. 8 is a bottom perspective view thereof.

**1 Claim, 7 Drawing Sheets**



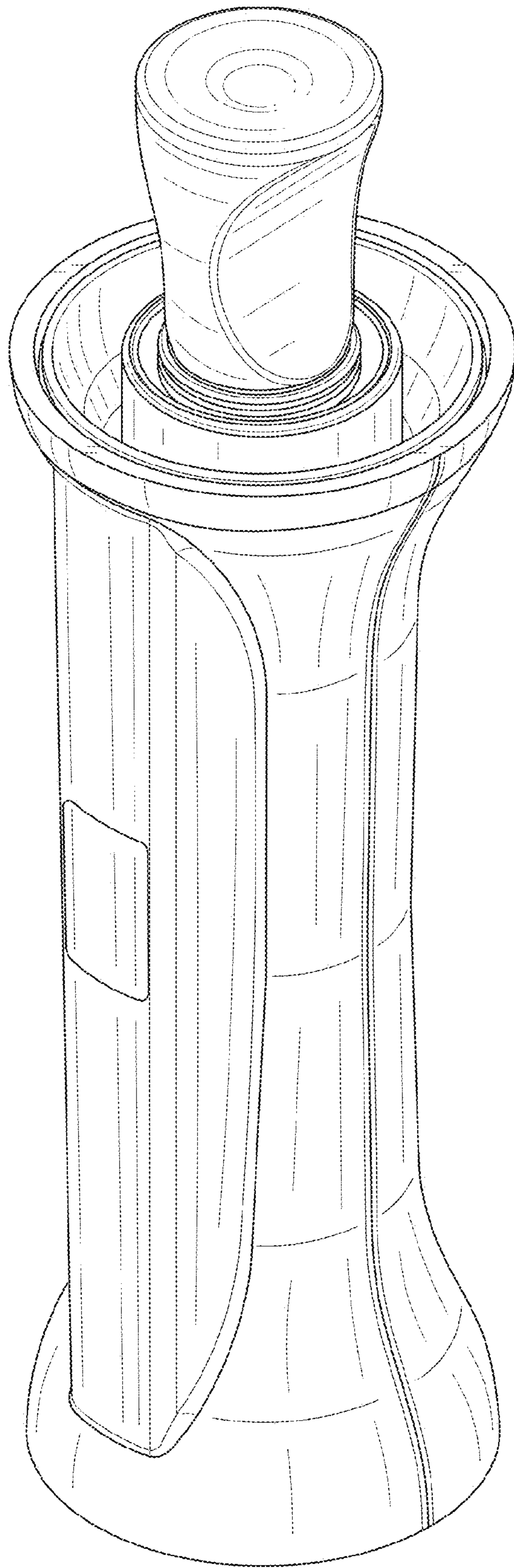


FIG. 1

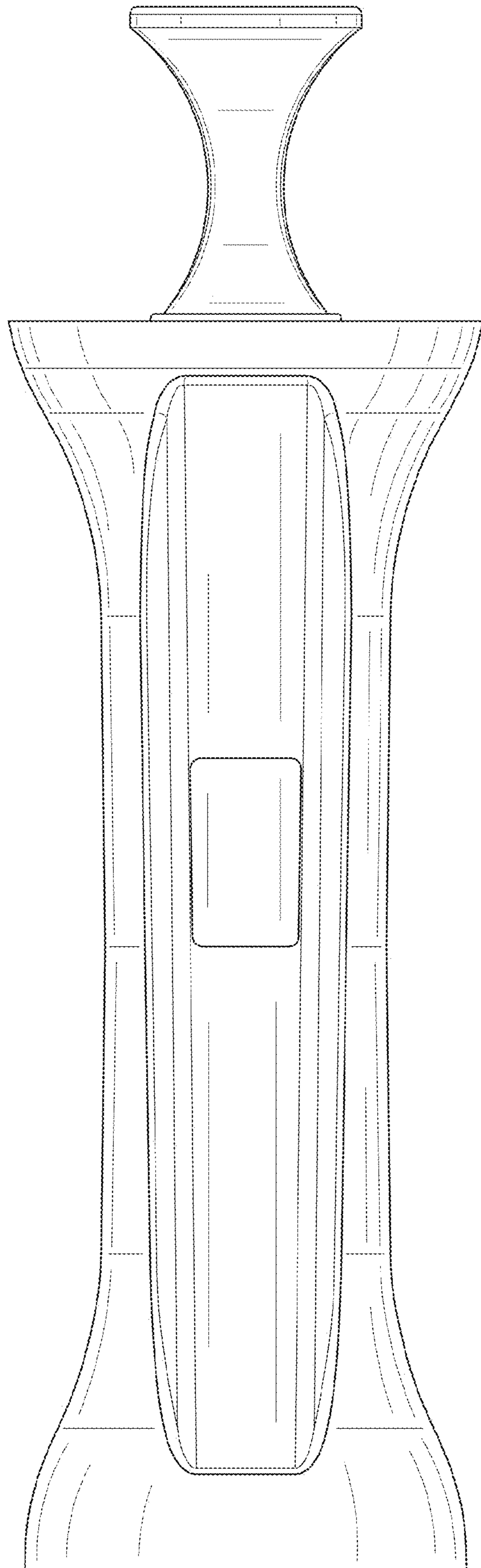


FIG. 2

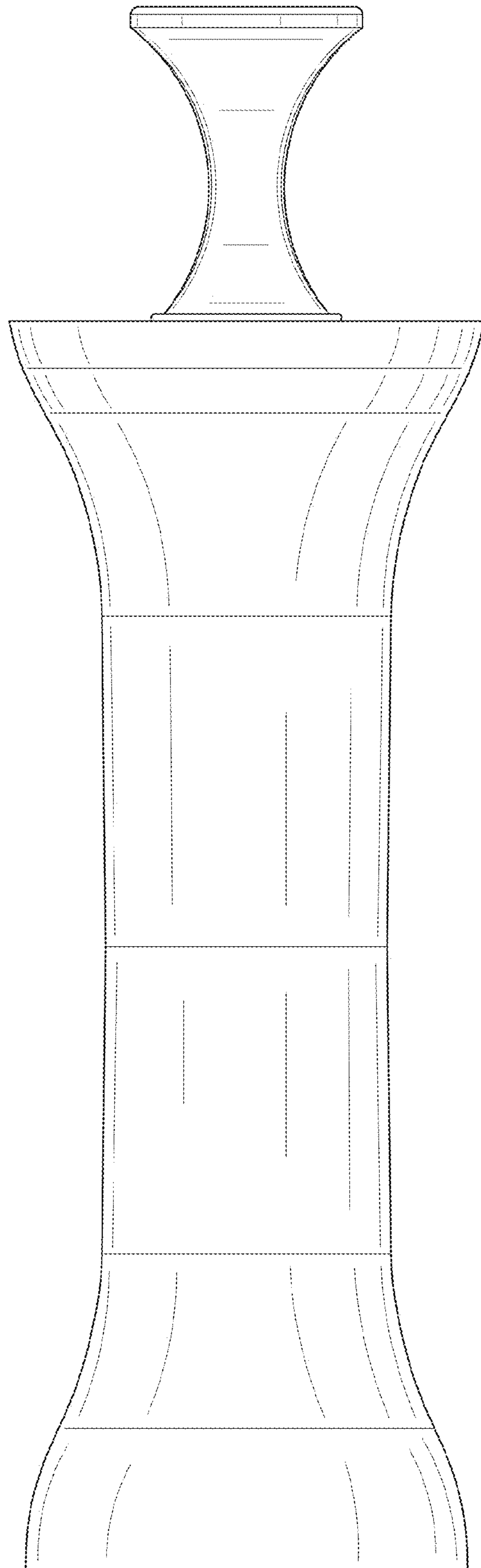


FIG. 3

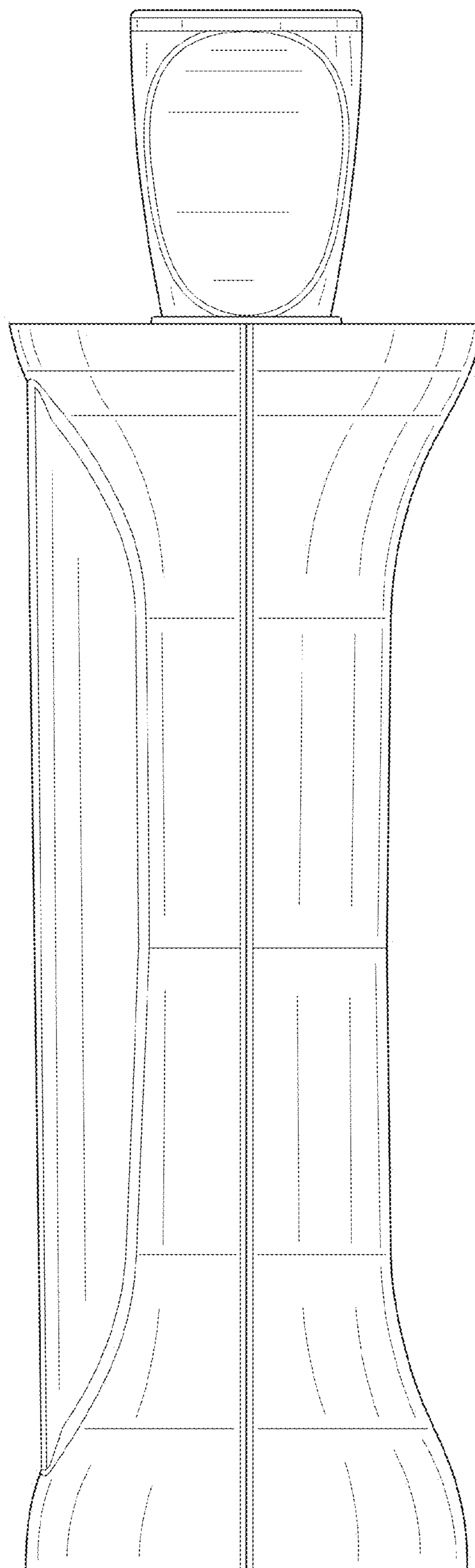


FIG. 4

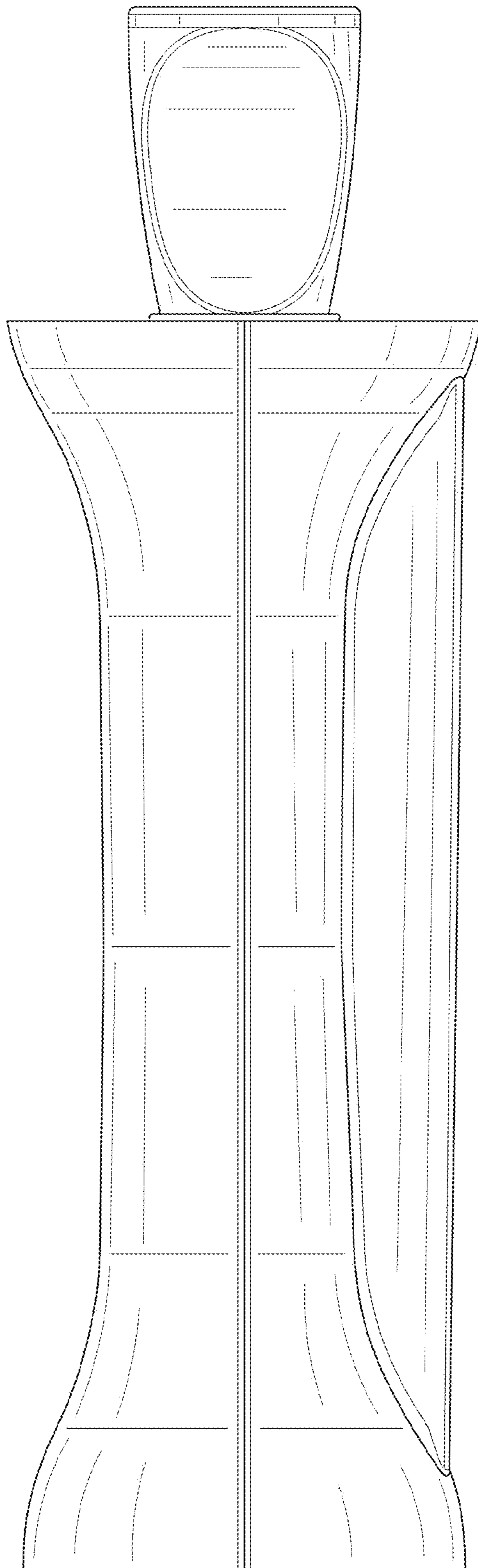


FIG. 5

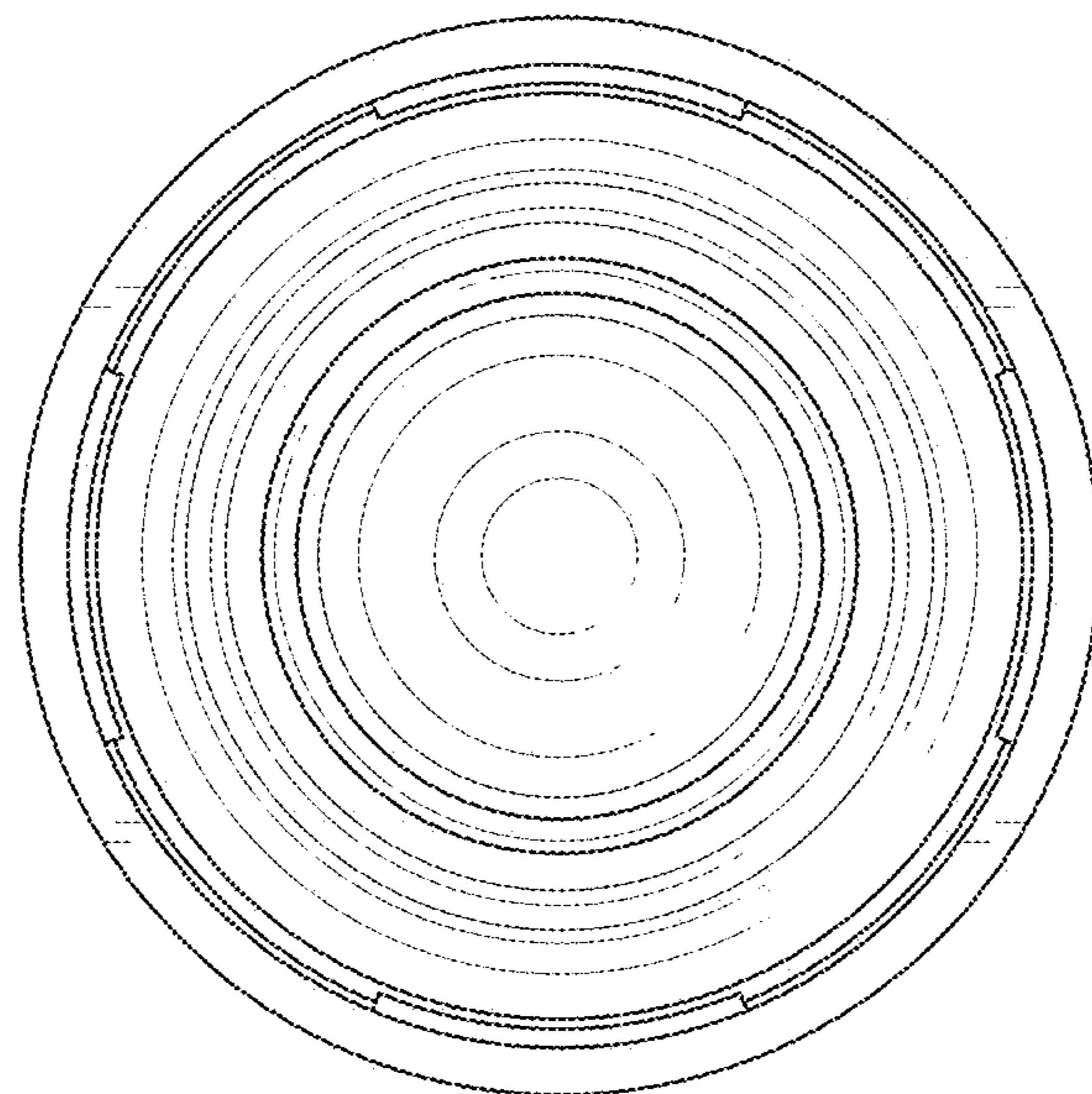


FIG. 6

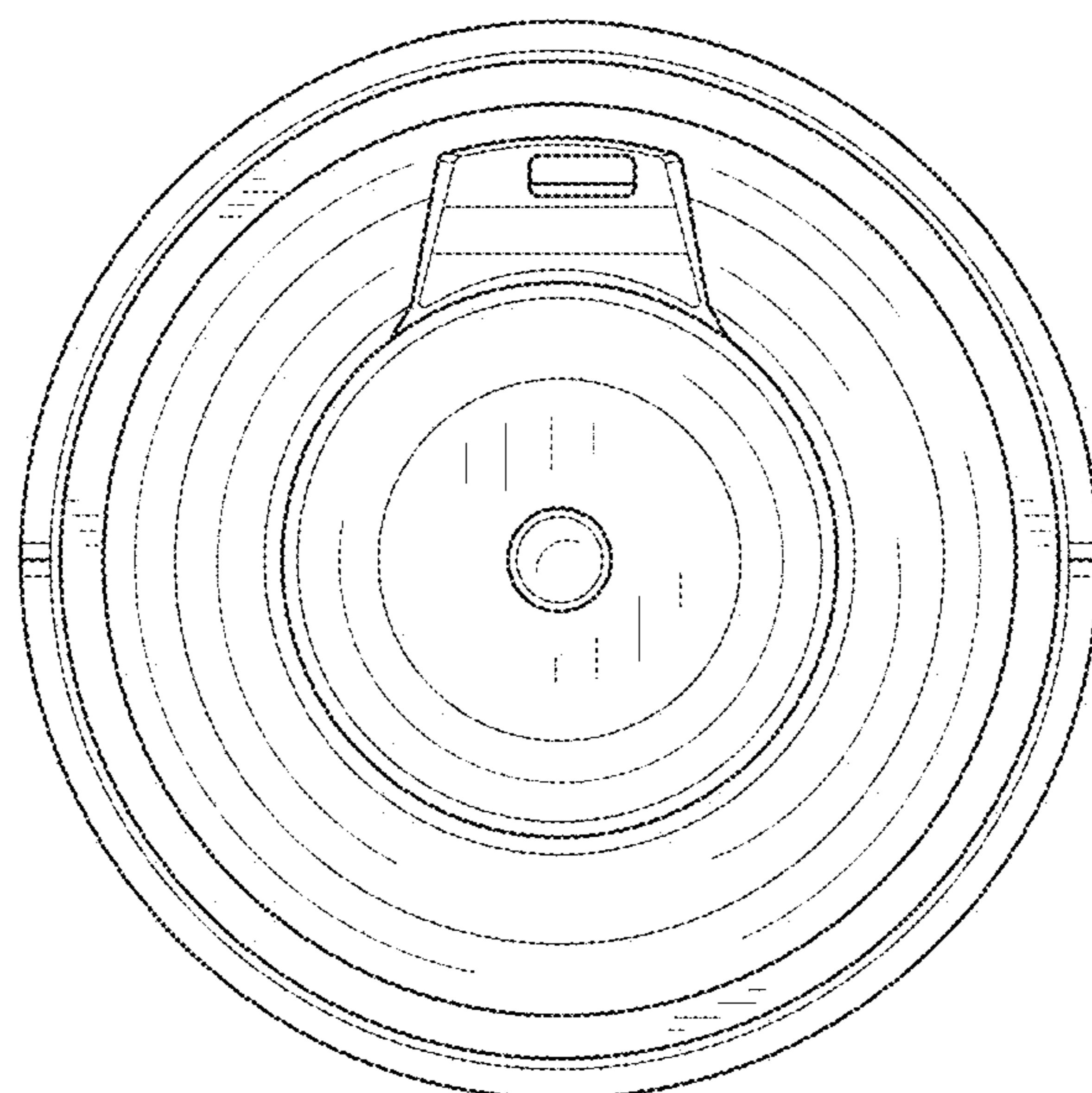


FIG. 7

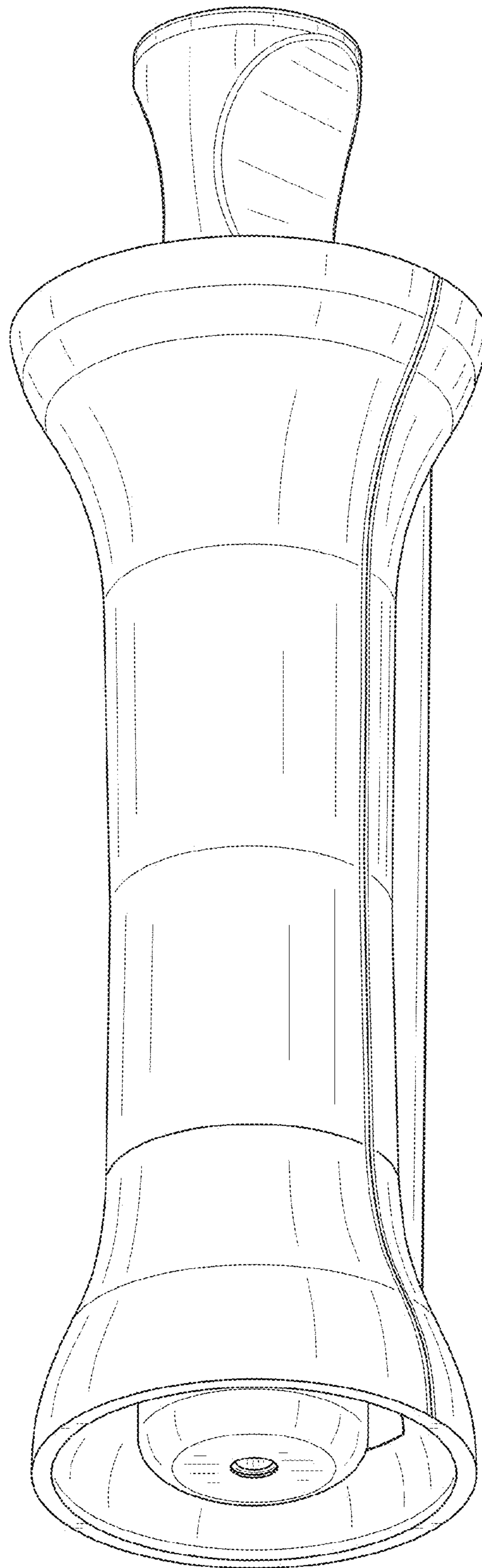


FIG. 8