



US00D971429S

(12) **United States Design Patent** (10) **Patent No.:** **US D971,429 S**
Lv (45) **Date of Patent:** **** Nov. 29, 2022**

(54) **MASTURBATION CUP**

(71) Applicant: **Fang Lv**, Anhui (CN)

(72) Inventor: **Fang Lv**, Anhui (CN)

(**) Term: **15 Years**

(21) Appl. No.: **29/770,132**

(22) Filed: **Feb. 9, 2021**

(51) **LOC (13) Cl.** **28-03**

(52) **U.S. Cl.**
USPC **D24/215**

(58) **Field of Classification Search**
USPC D24/133, 186, 211, 212, 213, 214, 215;
D12/178; D23/266; D9/418
CPC .. A61H 19/00; A61B 10/0058; A61B 5/4375;
A61B 5/4393; A61F 5/41
See application file for complete search history.

(56) **References Cited**

U.S. PATENT DOCUMENTS

- D547,878 S * 7/2007 Lai D24/214
- D695,414 S * 12/2013 Matsuura D24/215
- D714,952 S * 10/2014 Gonglach A61H 15/00
D24/211
- D782,036 S * 3/2017 Cai D24/121
- D823,462 S * 7/2018 Okamura D24/121
- D837,996 S * 1/2019 Sugimoto A61B 10/0058
D24/215
- D879,988 S * 3/2020 Zhou D24/215
- D880,713 S * 4/2020 Sedic D24/215

- D888,980 S * 6/2020 Tsuyama D24/215
- D890,947 S * 7/2020 Takahori D24/215
- D897,551 S * 9/2020 Nasta D24/211
- D898,215 S * 10/2020 Endo D24/215
- D939,723 S * 12/2021 Haddock D24/215
- 2008/0004577 A1* 1/2008 Matsuura A61F 5/0096
604/317
- 2017/0071818 A1* 3/2017 Chen A61H 19/32

* cited by examiner

Primary Examiner — Michael A Maharajh
(74) *Attorney, Agent, or Firm* — ScienBiziP, P.C.

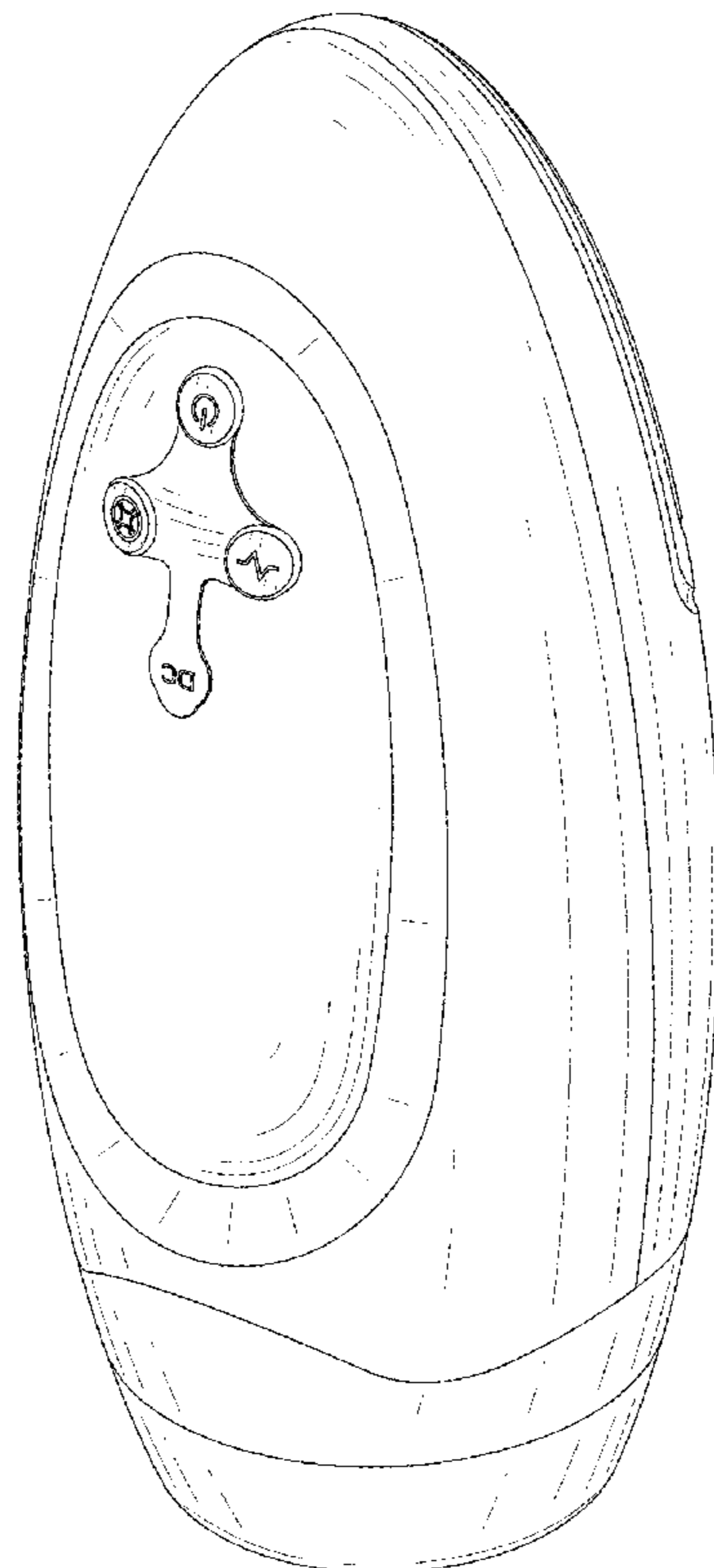
(57) **CLAIM**

The ornamental design for a masturbation cup, as shown and described.

DESCRIPTION

FIG. 1 is a front, right, and top perspective view of a masturbation cup, showing my design.
FIG. 2 is a front elevation view thereof.
FIG. 3 is a rear elevation view thereof.
FIG. 4 is a left side elevation view thereof.
FIG. 5 is a right side elevation view thereof.
FIG. 6 is a top plan view thereof; and,
FIG. 7 is a bottom plan view thereof.
The broken lines shown in the drawings are included for the purpose of illustrating portions of the masturbation cup that form no part of the claimed design.

1 Claim, 7 Drawing Sheets



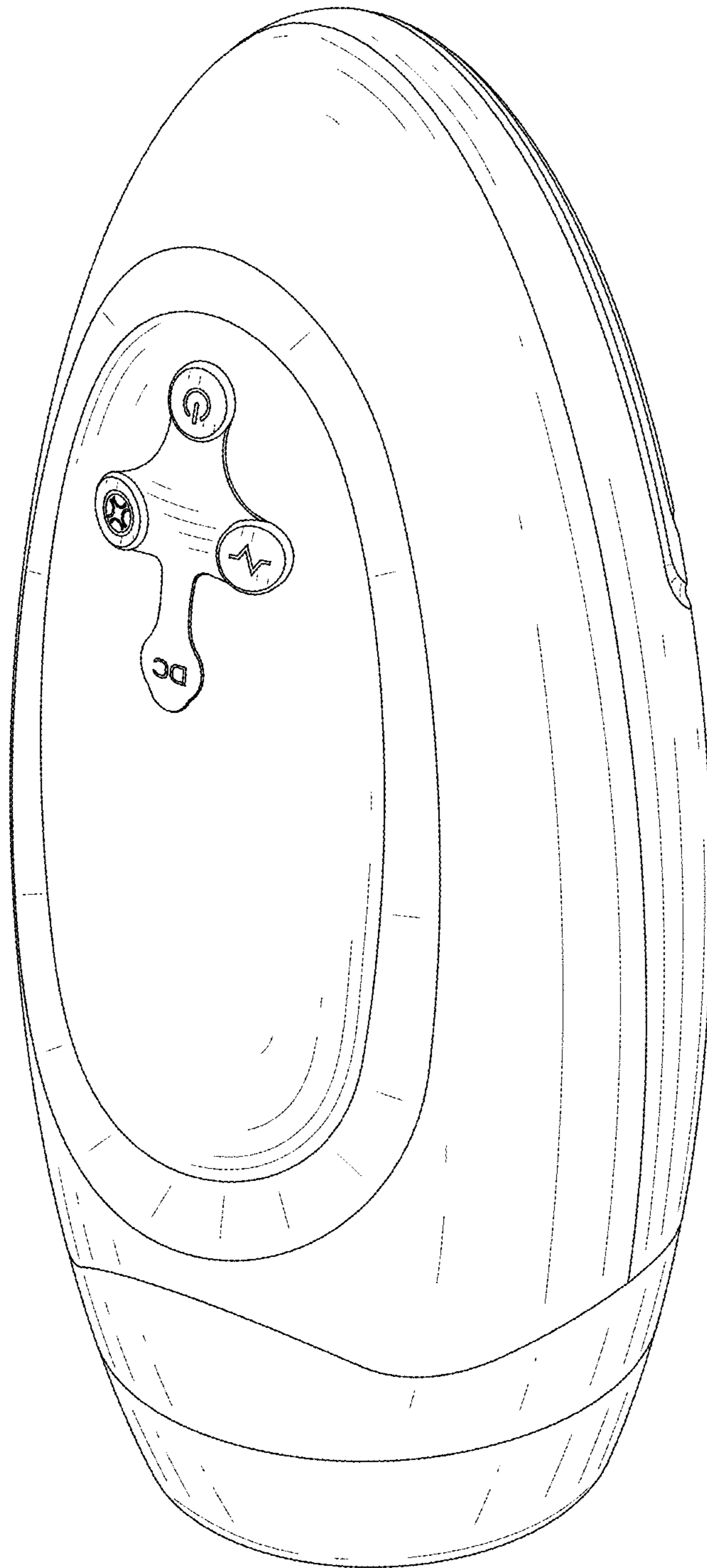


FIG. 1

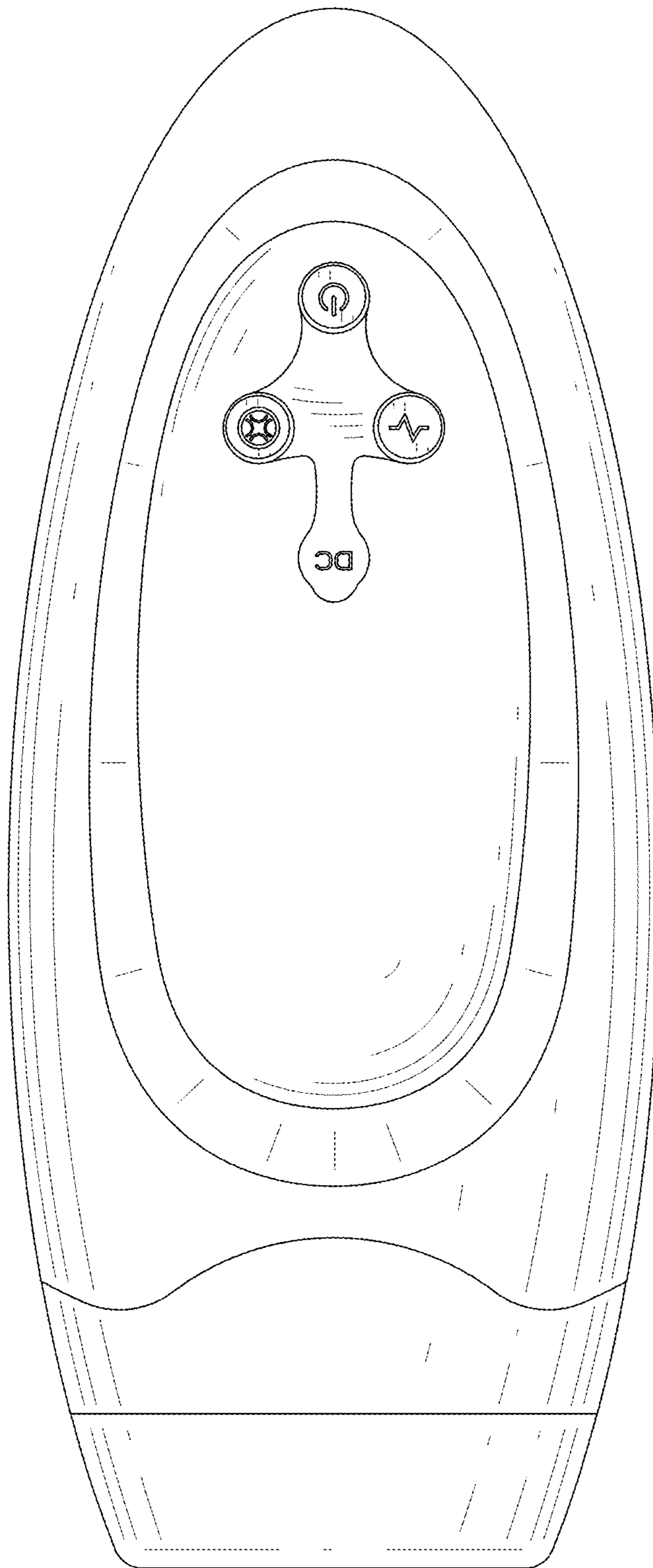


FIG. 2

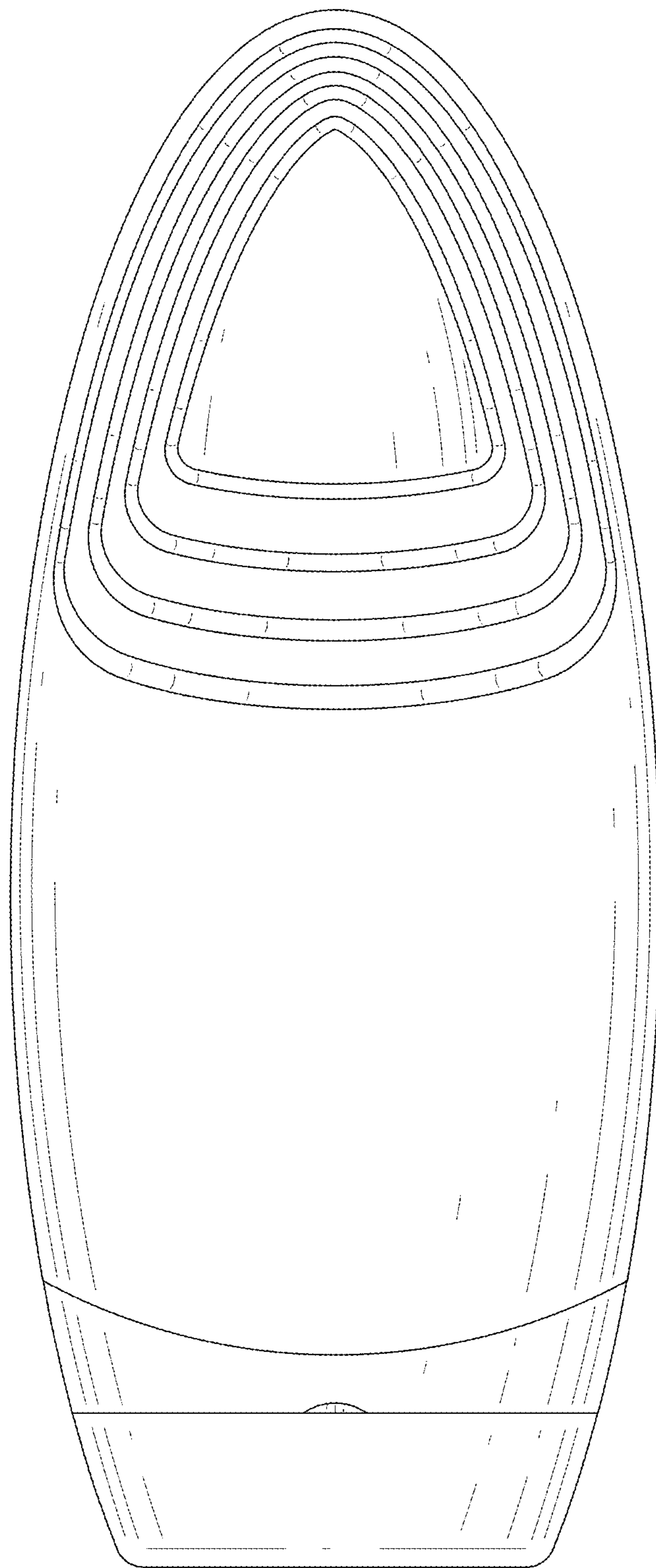


FIG. 3

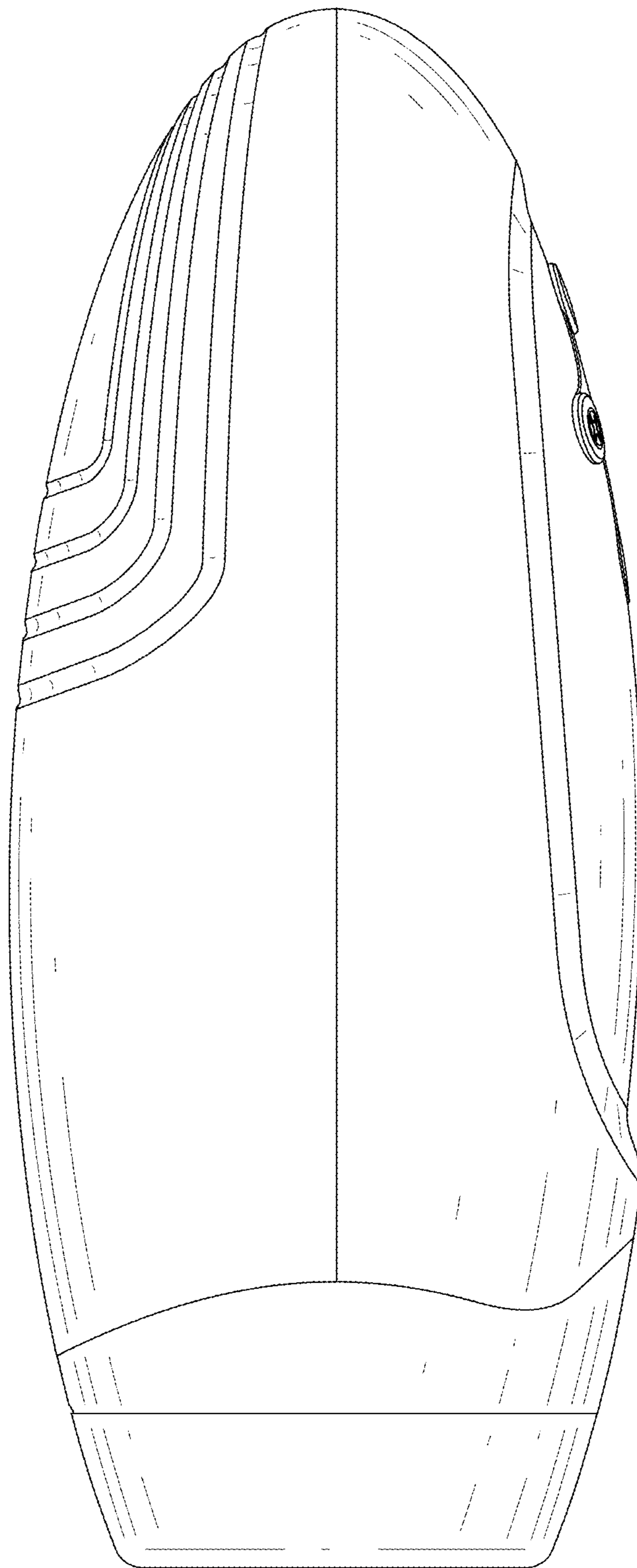


FIG. 4

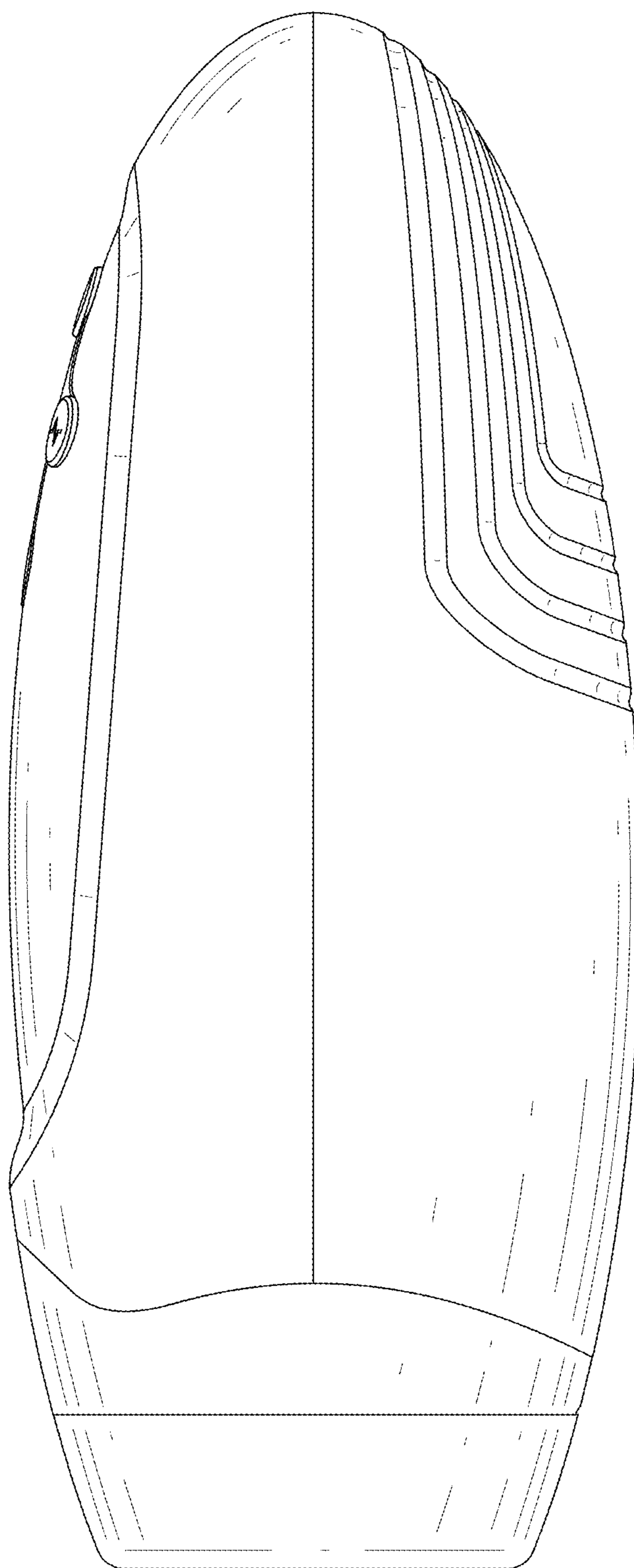


FIG. 5

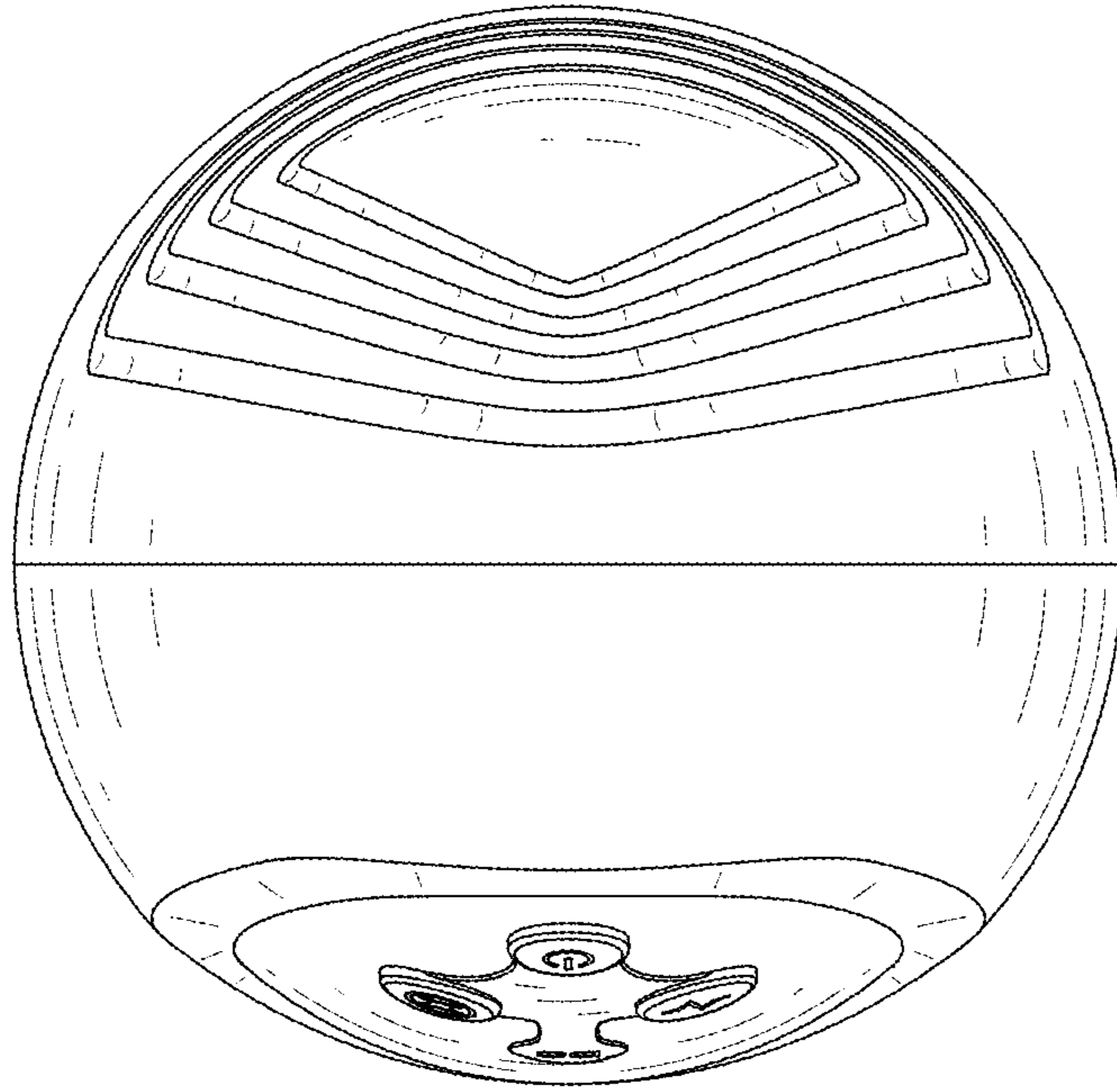


FIG. 6

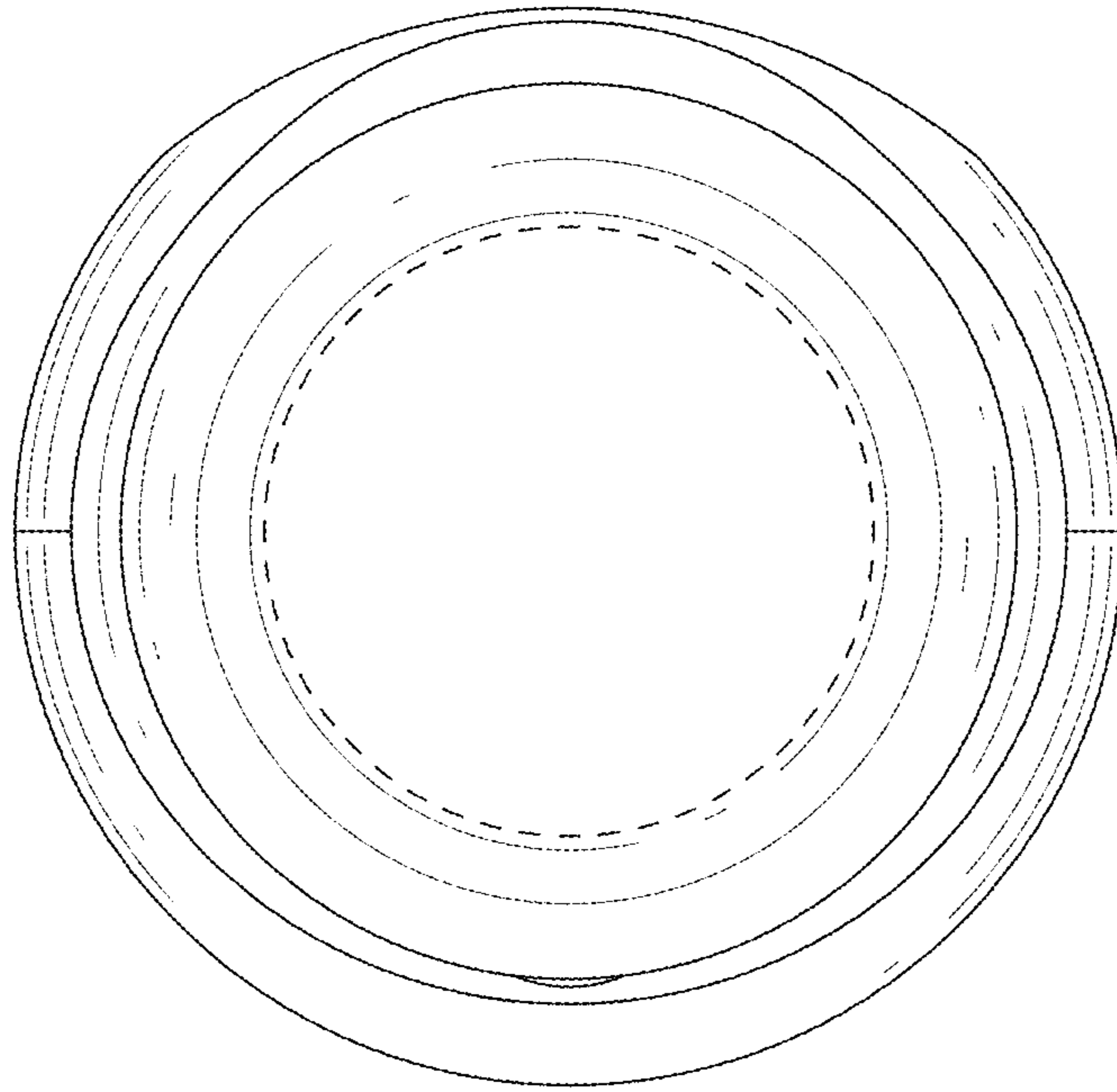


FIG. 7