



US00D971424S

(12) **United States Design Patent**  
**Yamada et al.**

(10) **Patent No.:** **US D971,424 S**  
(45) **Date of Patent:** **\*\* Nov. 29, 2022**

(54) **CORE FOR A PILLOW**

(71) Applicant: **NISHIKAWA Co., Ltd.**, Tokyo (JP)

(72) Inventors: **Shinano Yamada**, Tokyo (JP); **Seiji Tainaka**, Tokyo (JP)

(73) Assignee: **NISHIKAWA Co., Ltd.**, Tokyo (JP)

(\*\*) Term: **15 Years**

(21) Appl. No.: **35/510,440**

(22) Filed: **Apr. 2, 2020**

(80) **Hague Agreement Data**

Int. Filing Date: **Apr. 2, 2020**

Int. Reg. No.: **DM/207447**

Int. Reg. Date: **Apr. 2, 2020**

Int. Reg. Pub. Date: **Oct. 2, 2020**

(30) **Foreign Application Priority Data**

Oct. 8, 2019 (JP) ..... 2019-022540

(51) **LOC (13) Cl.** ..... **06-09**

(52) **U.S. Cl.**  
USPC ..... **D24/211; D6/601**

(58) **Field of Classification Search**  
USPC ..... D6/595, 601; D21/662, 691, 782;  
D24/184, 188, 200, 211, 215, 231;  
D30/160

CPC ..... A63B 21/4043; A63B 21/0552; A63B  
2210/50; A61H 15/00; A61H 2203/0443;  
A61H 2015/0014; A61H 2201/1284

See application file for complete search history.

(56) **References Cited**

**U.S. PATENT DOCUMENTS**

4,070,719 A \* 1/1978 Morgan ..... A47C 27/146  
428/167

D361,132 S \* 8/1995 Lee ..... D24/200

(Continued)

**FOREIGN PATENT DOCUMENTS**

CN 304563743 S 4/2018  
JP 1552962 S 7/2016

**OTHER PUBLICATIONS**

Enkeeo, posted at Amazon.com, posted on May 9, 2018, site visited Jul. 21, 2021. online, available from internet: [https://images-na.ssl-images-amazon.com/images/I/61jfR2mTTNL.\\_SX466\\_.jpg](https://images-na.ssl-images-amazon.com/images/I/61jfR2mTTNL._SX466_.jpg) (Year: 2018).\*

(Continued)

*Primary Examiner* — Catherine Ho

(74) *Attorney, Agent, or Firm* — Sughrue Mion, PLLC

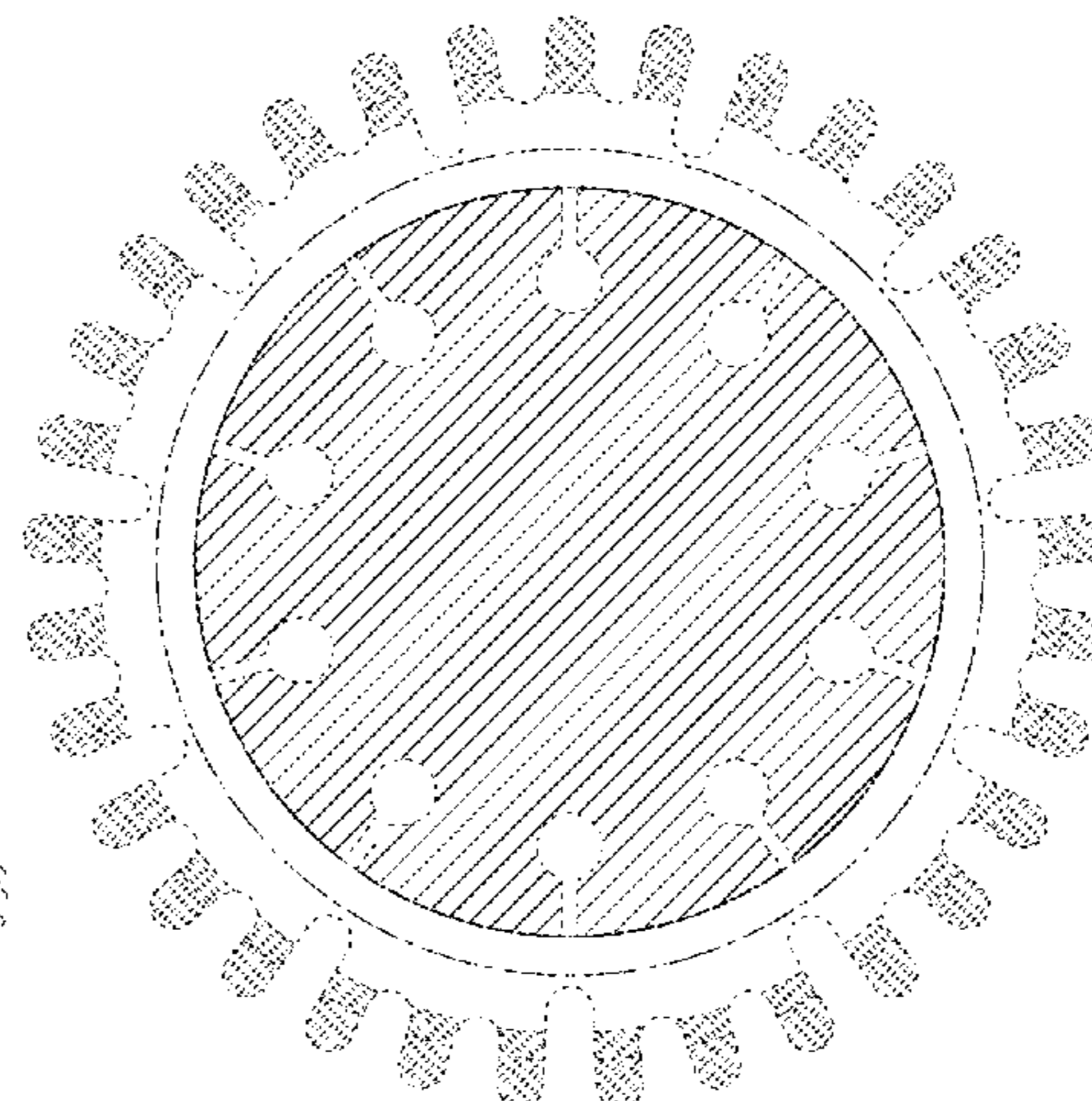
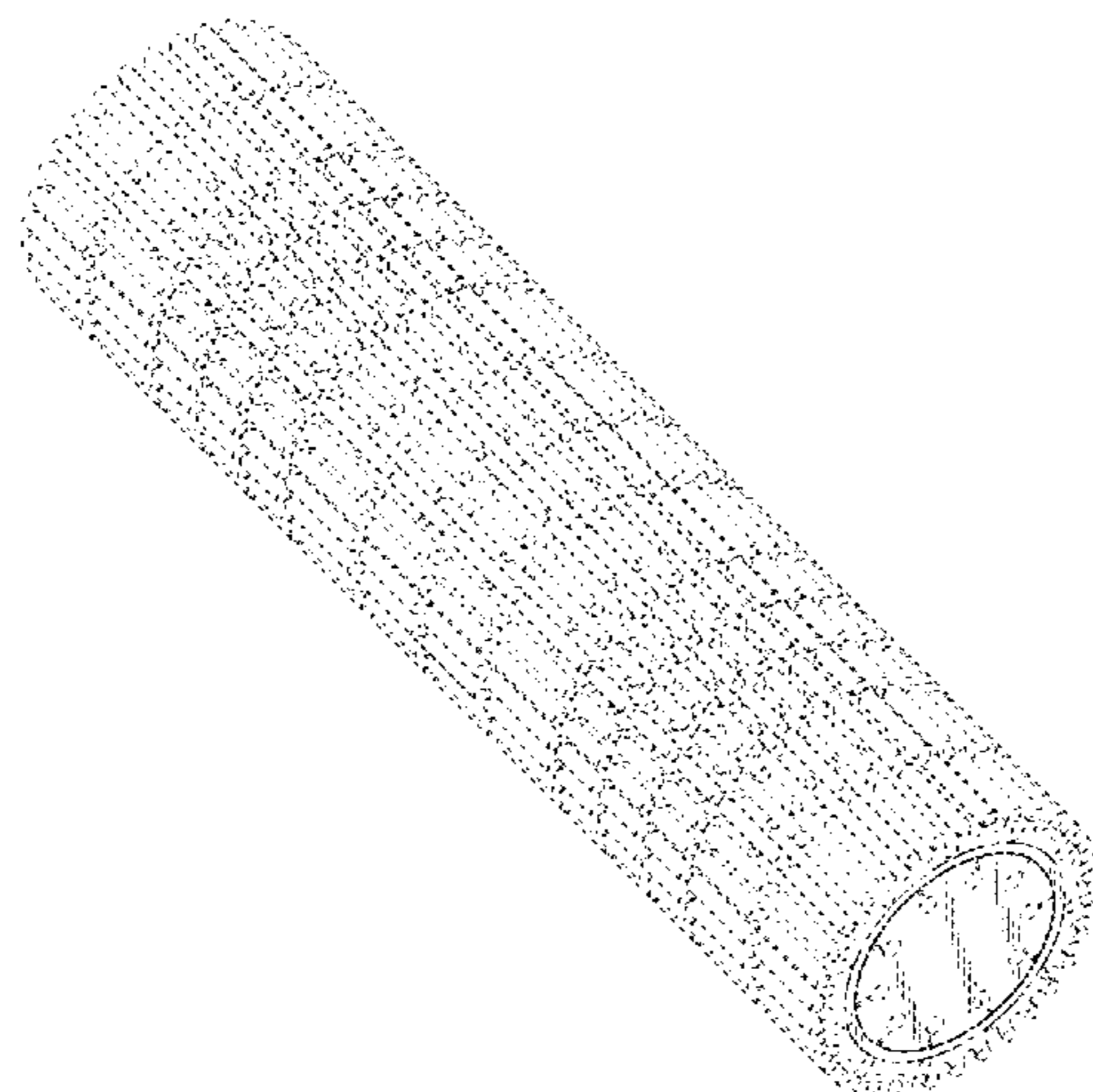
(57) **CLAIM**

We claim the ornamental design for a core for a pillow, as shown and described.

**DESCRIPTION**

- 1. Core for a pillow
  - 1.1 : Top perspective
  - 1.2 : Front
  - 1.3 : Back
  - 1.4 : Top
  - 1.5 : Bottom
  - 1.6 : Left
  - 1.7 : Right
  - 1.8: Enlarged longitudinal cross sectional view taken along line 1.8-1.8 in 1.2
  - 1.9: Enlarged longitudinal cross sectional view taken along line 1.9-1.9 in 1.2
  - 1.10 : Lateral cross sectional view taken along line 1.10-1.10 of 1.7
  - 1.11: Lateral cross sectional view taken along line 1.11-1.11 in 1.7
  - 1.12: Perspective view shown in an environment of use
- The broken line portion of the figure drawings is included to show portions of the article and environment that form no

(Continued)



part of the claimed design. The dash-dot line define the bounds of the claimed design and form no part thereof.

**1 Claim, 12 Drawing Sheets**

(56)

**References Cited**

U.S. PATENT DOCUMENTS

D379,658 S \* 6/1997 Reynolds, III ..... 5/630  
 D402,494 S \* 12/1998 Langer ..... D6/601  
 6,360,388 B2 \* 3/2002 Langer ..... A61G 7/0755  
 5/490  
 8,002,682 B2 \* 8/2011 Dye ..... A61H 15/0092  
 482/132  
 D660,450 S \* 5/2012 Johnson ..... D24/215  
 D670,817 S \* 11/2012 Narevsky ..... D24/211  
 D713,050 S \* 9/2014 Kao ..... A61H 15/00  
 D24/211  
 8,821,352 B2 \* 9/2014 Crowell ..... A61H 15/0092  
 482/11  
 9,005,146 B2 \* 4/2015 Phillips ..... A63B 21/4043  
 601/19  
 D732,311 S \* 6/2015 Lord ..... D6/601  
 D737,456 S \* 8/2015 McDonough ..... A61H 15/0092  
 D24/211  
 9,486,387 B2 \* 11/2016 Crowell ..... A61H 15/0092  
 D788,313 S \* 5/2017 Lawrie ..... D24/211  
 D794,814 S \* 8/2017 Higgins ..... D24/211  
 D804,741 S \* 12/2017 Park ..... D30/160  
 D804,742 S \* 12/2017 Park ..... D30/160  
 D804,743 S \* 12/2017 Park ..... D30/160  
 D809,219 S \* 1/2018 Wright ..... A46B 5/02  
 D30/160  
 10,071,014 B2 \* 9/2018 Yeh ..... A61H 15/00  
 D845,498 S \* 4/2019 Johnson ..... D24/211

D863,579 S \* 10/2019 Wang ..... D24/211  
 D886,315 S \* 6/2020 Hicken ..... D24/211  
 D892,427 S \* 8/2020 Cavalcanti ..... D1/125  
 10,729,614 B2 \* 8/2020 Marton ..... A61H 23/0263  
 D913,584 S \* 3/2021 Tan ..... D28/8.1  
 D919,107 S \* 5/2021 Huang ..... D24/211  
 D919,900 S \* 5/2021 Jaeger ..... D30/160  
 D925,750 S \* 7/2021 Che ..... D24/211  
 2015/0190304 A1 \* 7/2015 Lawrie ..... A61H 15/00  
 601/118  
 2015/0283023 A1 \* 10/2015 Phillips ..... A63B 23/03541  
 601/118  
 2016/0235619 A1 \* 8/2016 Yeh ..... A61H 15/00  
 2016/0302994 A1 \* 10/2016 Chen ..... A61H 23/0254  
 2016/0310349 A1 \* 10/2016 Chen ..... A61H 15/00  
 2016/0310350 A1 \* 10/2016 Chen ..... A61H 15/00  
 2016/0310352 A1 \* 10/2016 Chen ..... A61H 15/02  
 2017/0216133 A1 \* 8/2017 Yih ..... A61H 15/0092  
 2017/0281456 A1 \* 10/2017 Chen ..... A61H 15/0092  
 2018/0207055 A1 \* 7/2018 Davis ..... A61F 7/007  
 2018/0256442 A1 \* 9/2018 Lee ..... A61H 15/0078  
 2020/0188219 A1 \* 6/2020 Piucci, Jr. .... A61H 1/00  
 2020/0375841 A1 \* 12/2020 Owusu ..... A63B 23/00

OTHER PUBLICATIONS

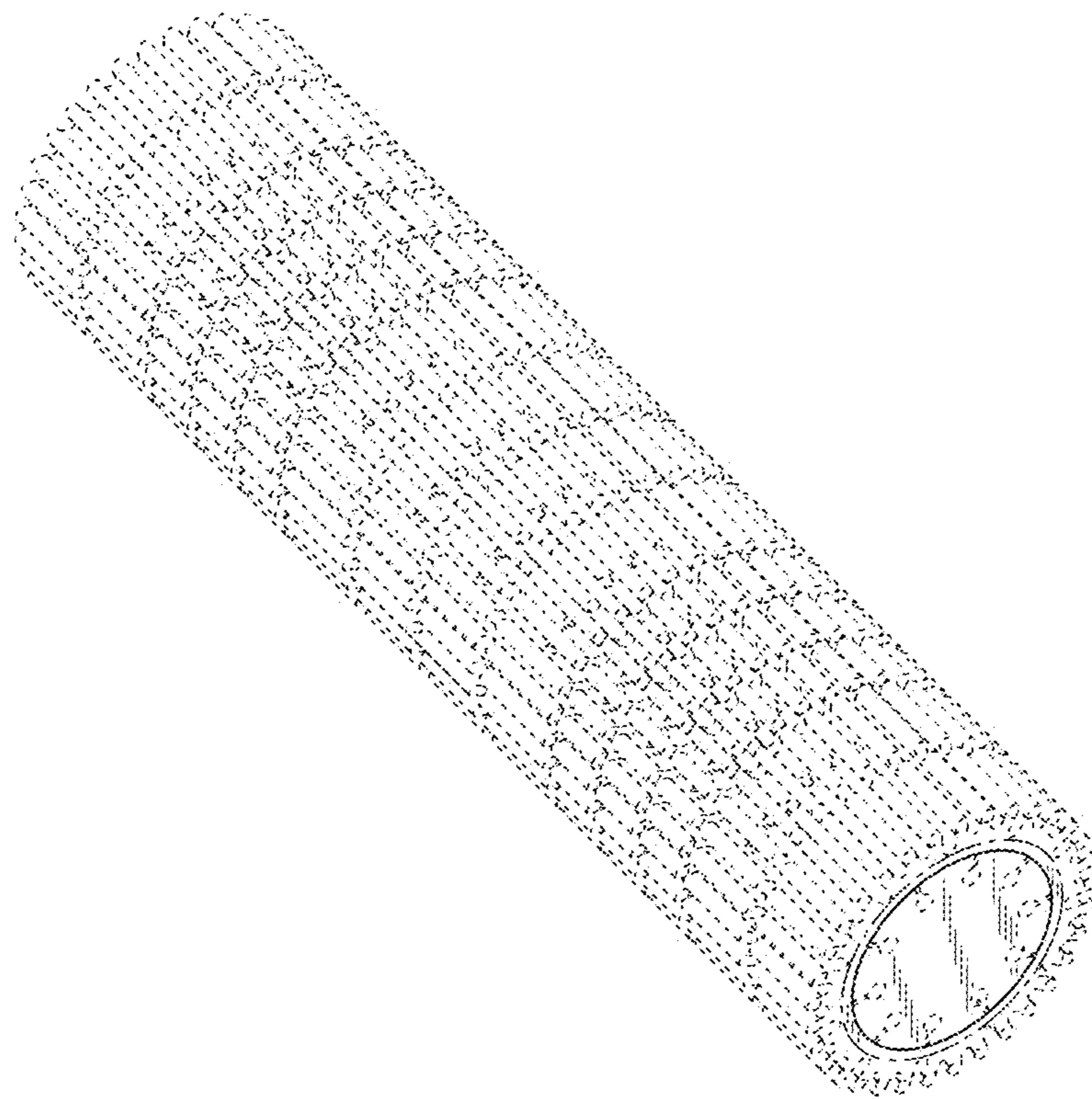
Bionic, posted at Amazon.com, posted on Oct. 28, 2018, site visited Jul. 21, 2021. online, available from internet: [https://images-na.ssl-images-amazon.com/images/I/81Bvfw446AL.\\_SX569\\_.jpg](https://images-na.ssl-images-amazon.com/images/I/81Bvfw446AL._SX569_.jpg) (Year: 2018).\*

Budopt, posted at Budopt.ua, posted on Feb. 11, 2017, site visited Jul. 21, 2021. online, available from internet: [https://budopt.ua/image/cache/1200-1200/data/item/brands/powerplay/nabor\\_powerplay\\_4022.jpg](https://budopt.ua/image/cache/1200-1200/data/item/brands/powerplay/nabor_powerplay_4022.jpg) (Year: 2017).\*

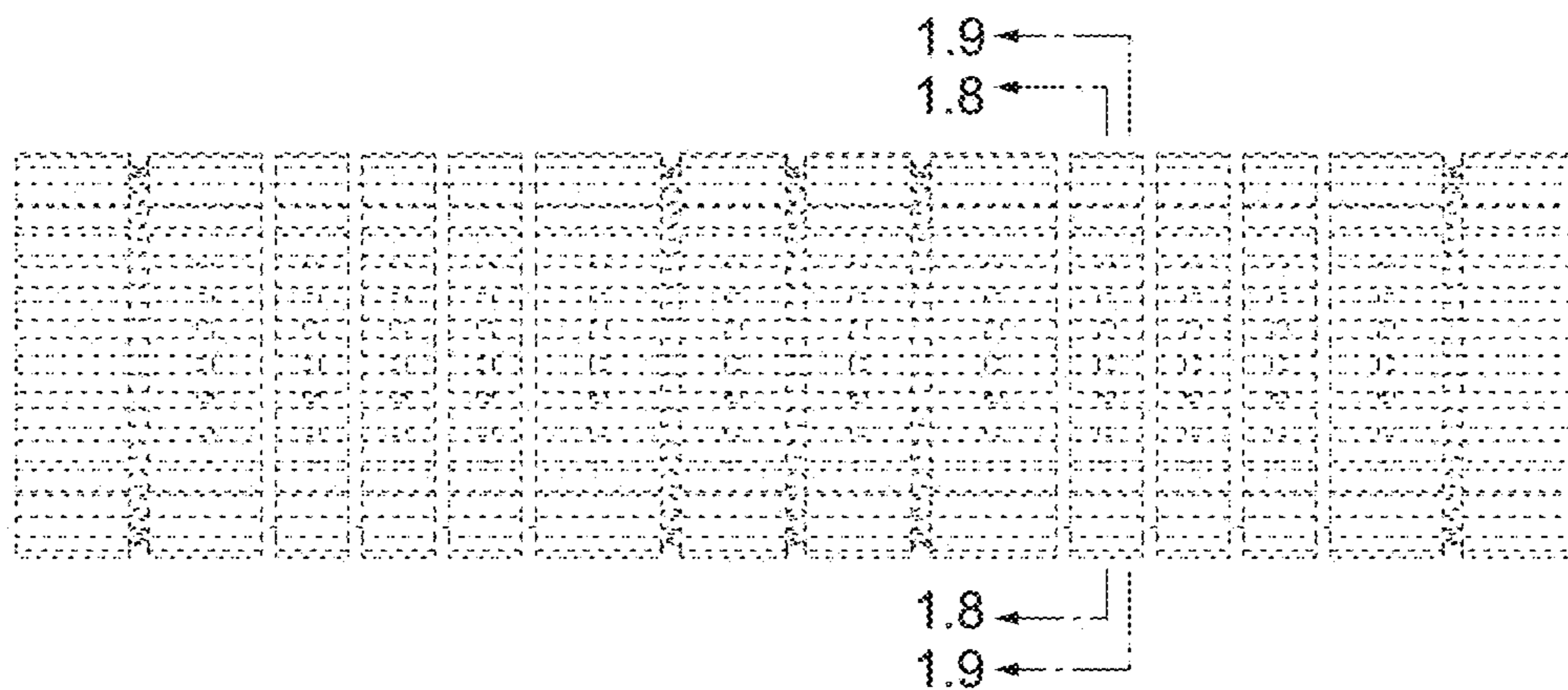
Communication dated Nov. 6, 2020 by the Taiwan Patent Office in Application No. 109301858.

\* cited by examiner

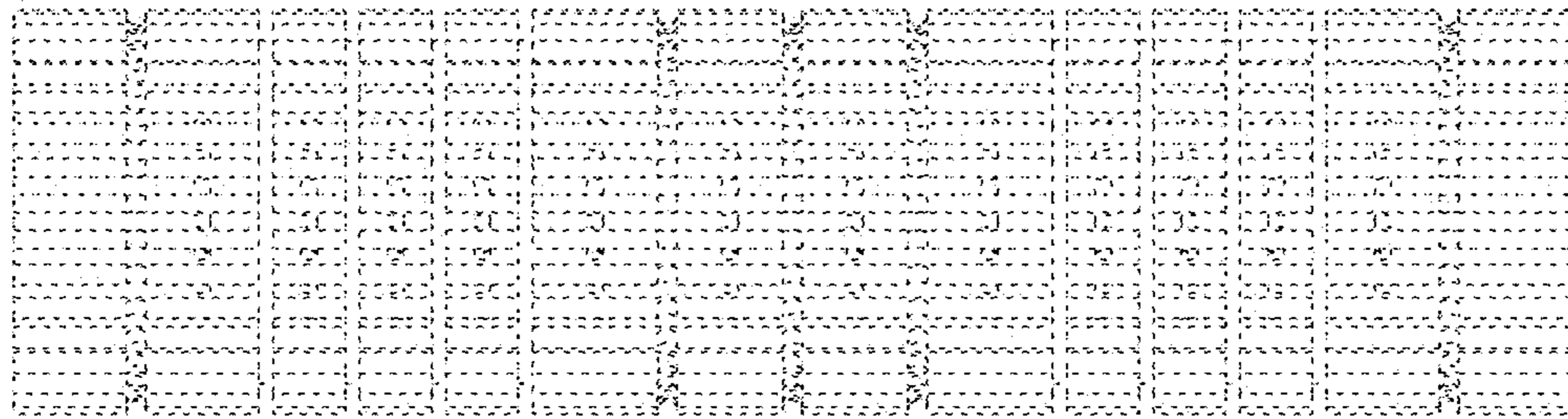
1.1



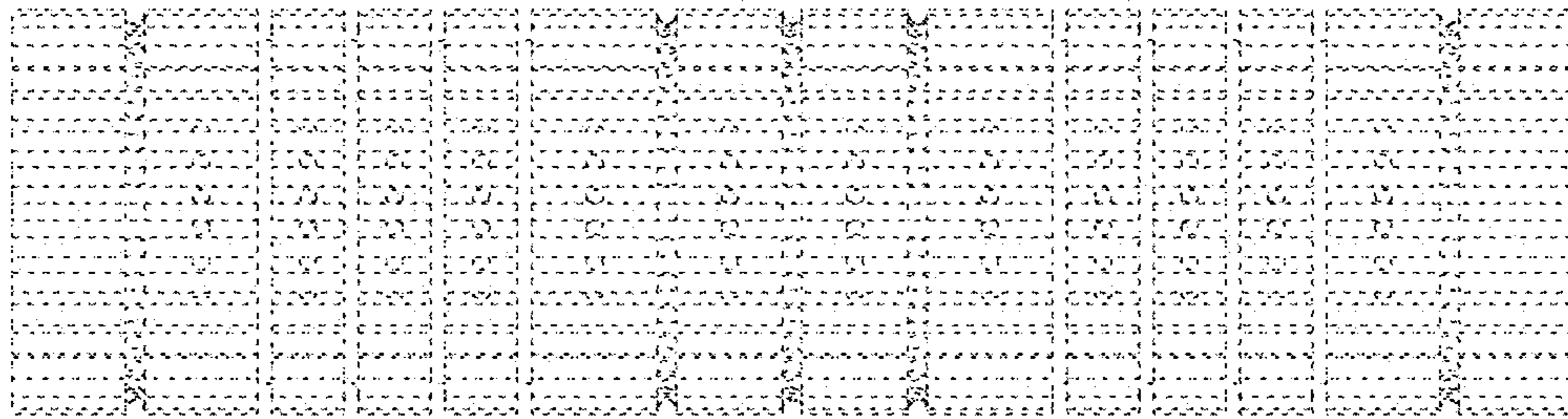
1.2



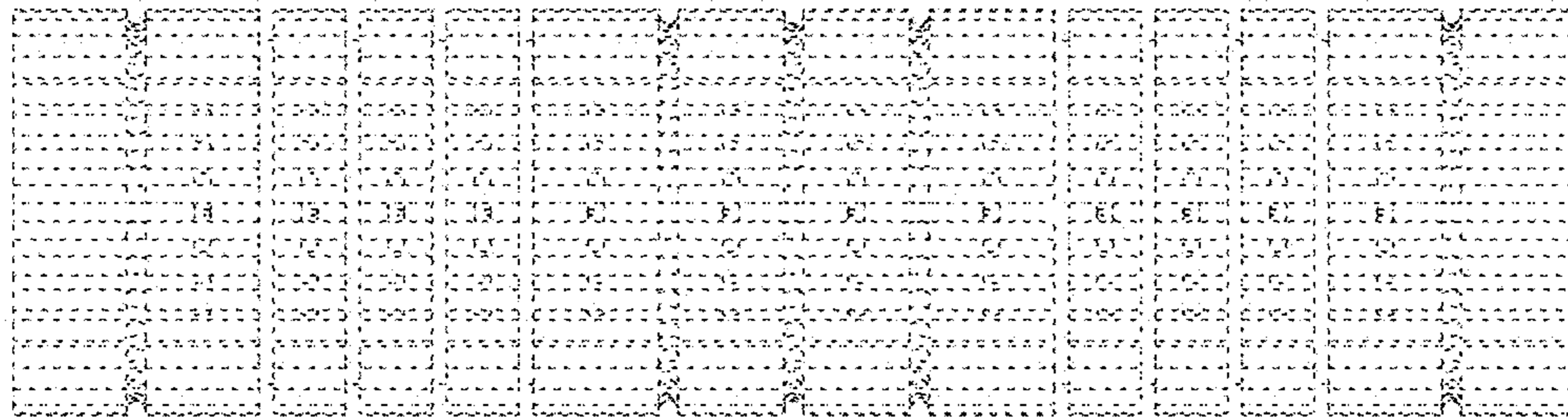
1.3 



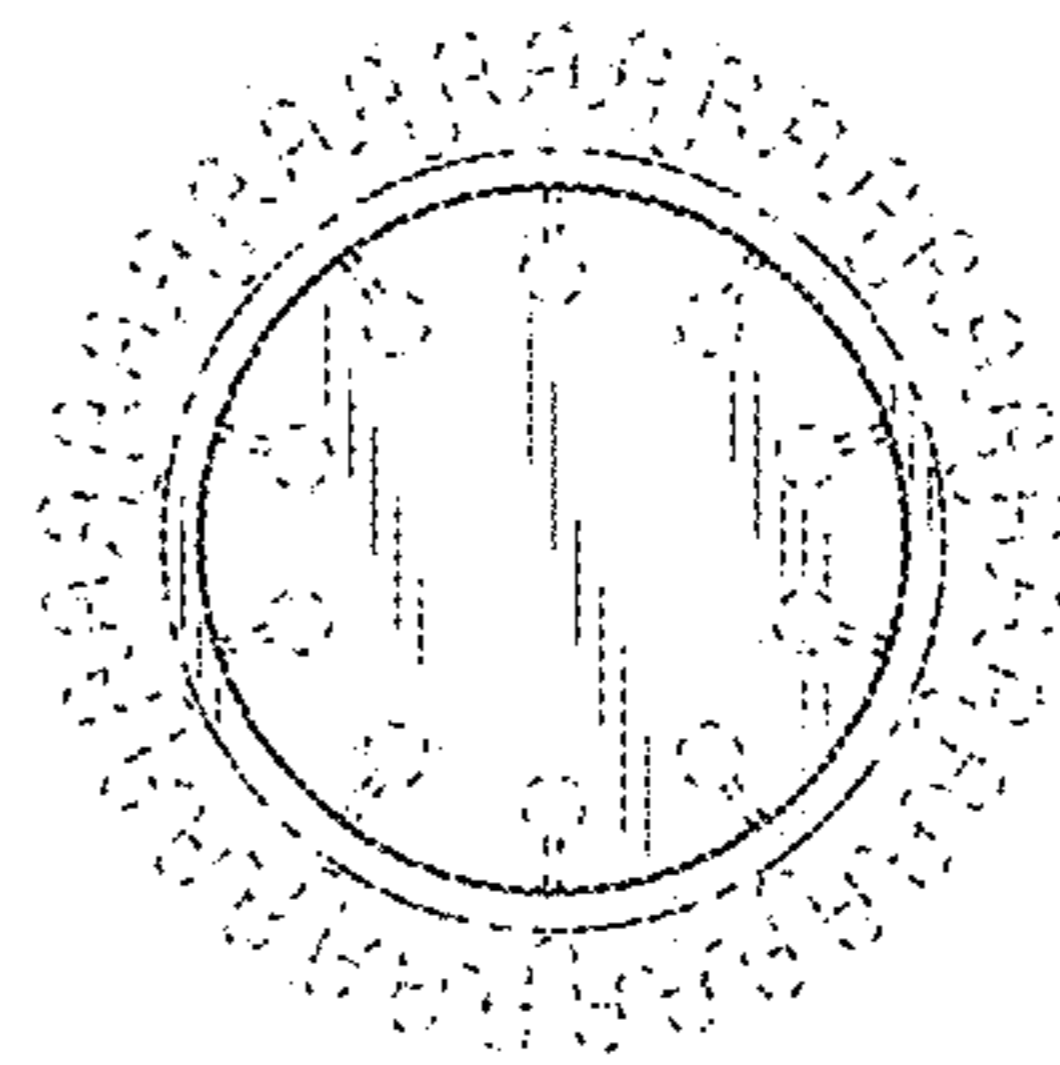
1.4



1.5

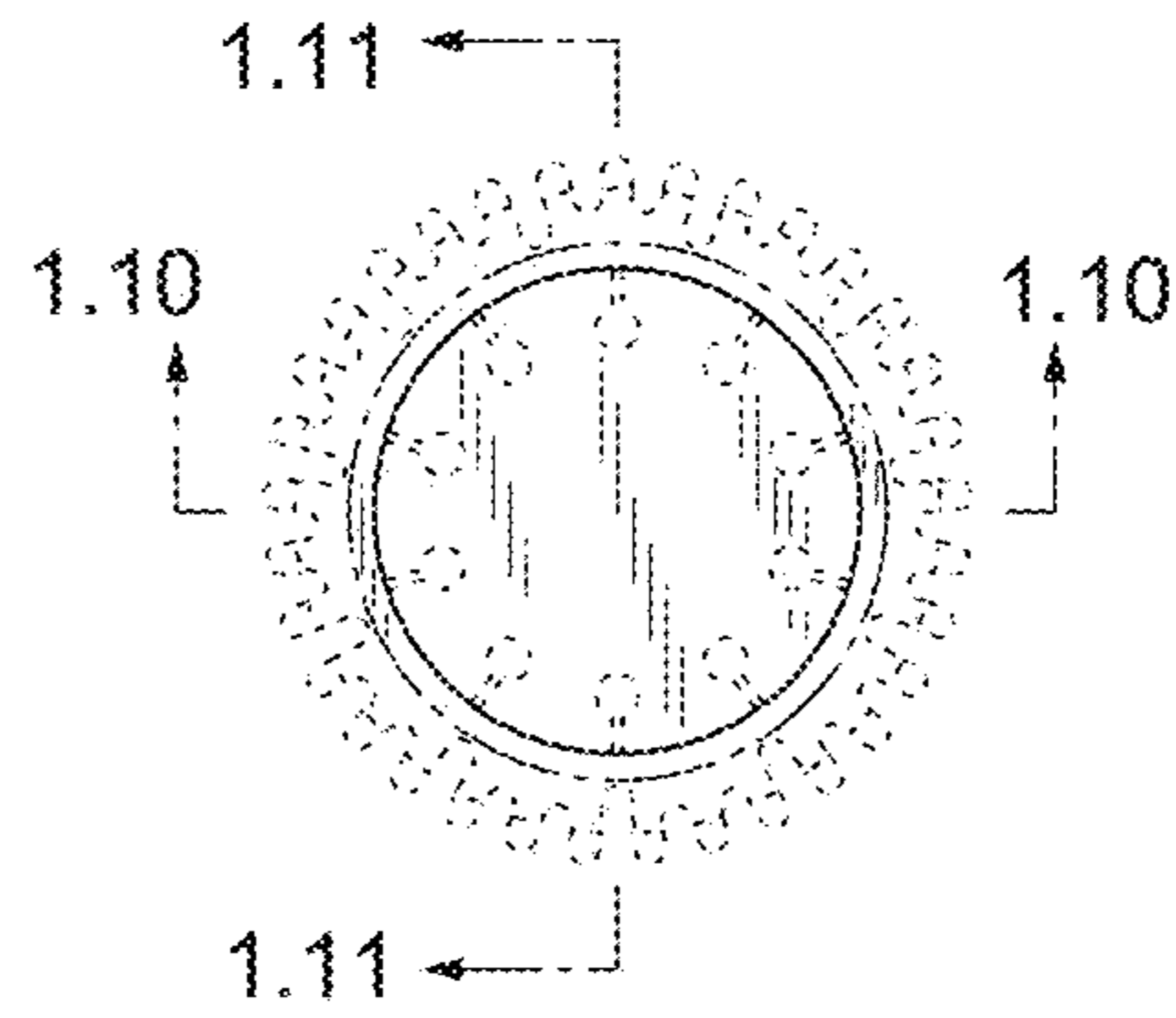


1.6

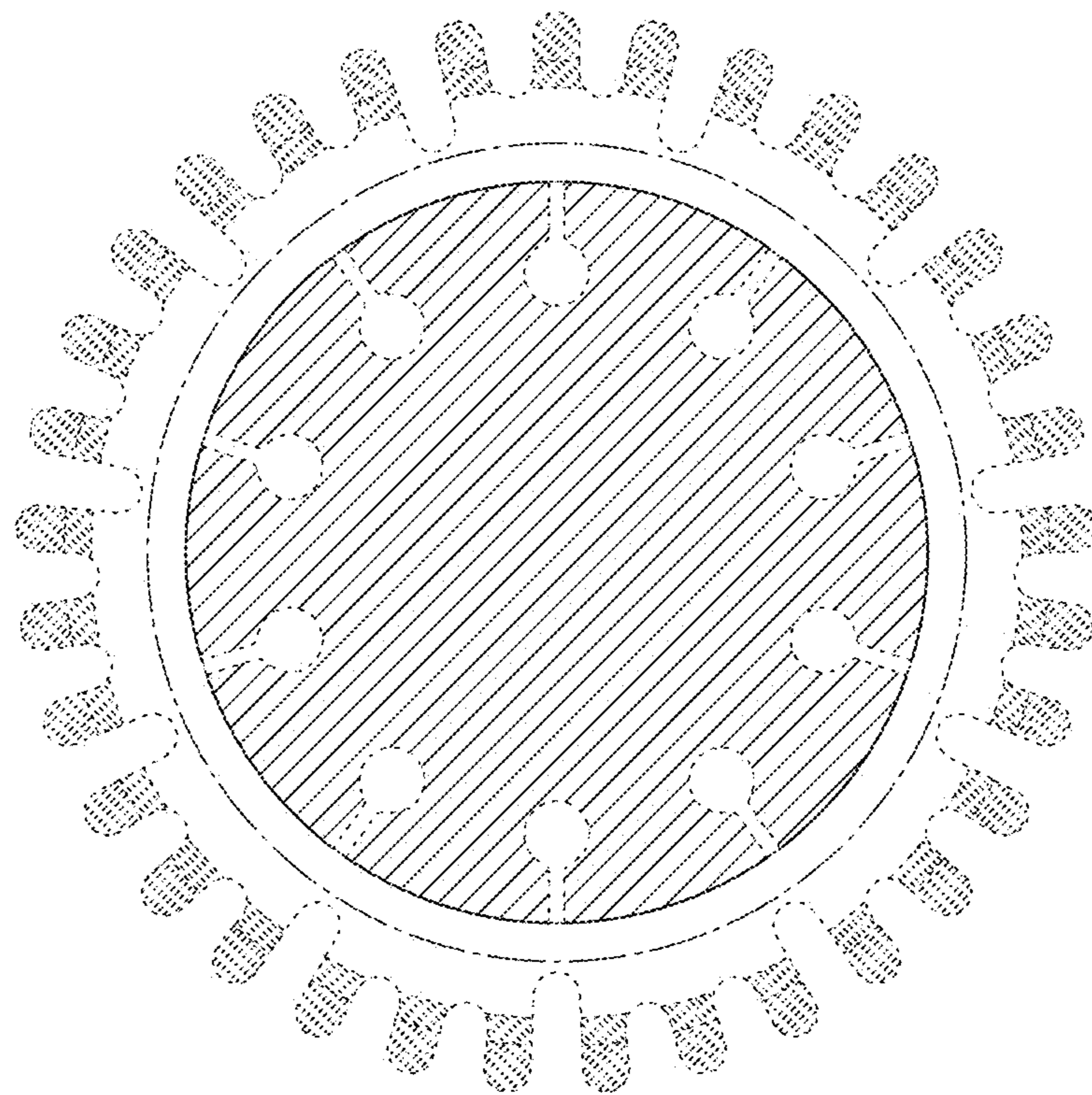




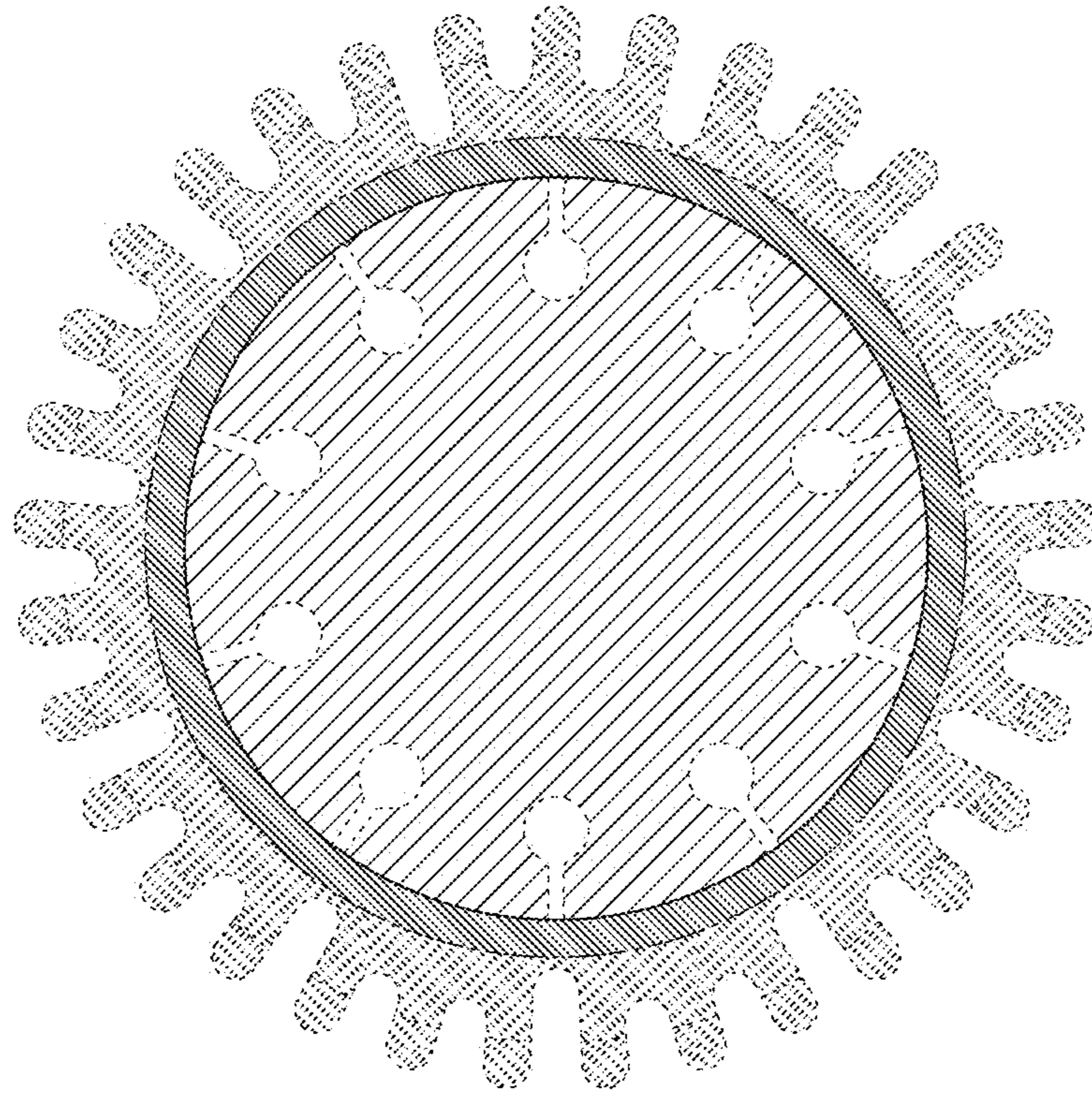
1.7



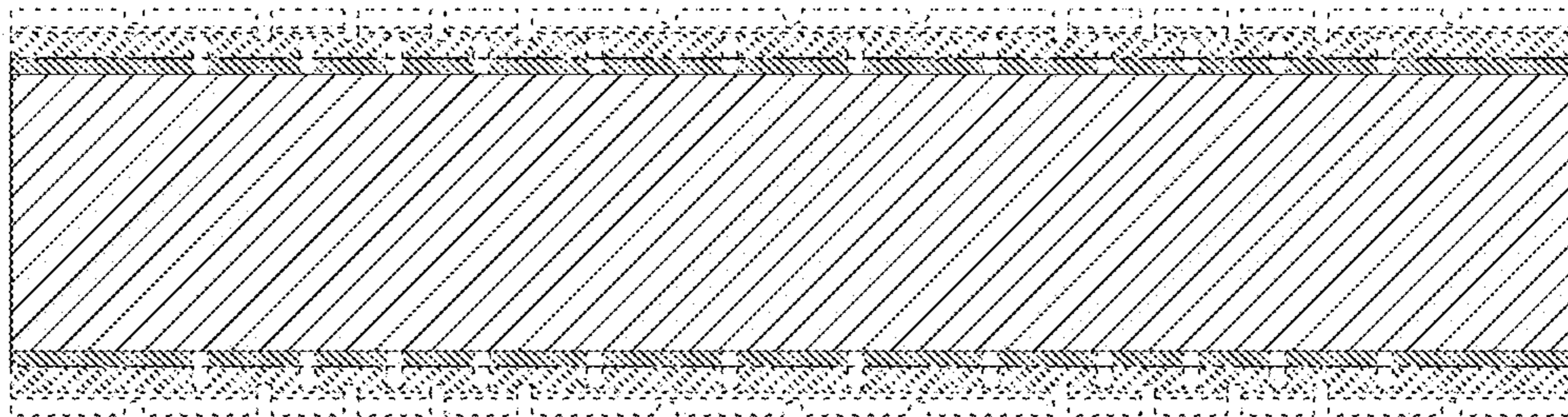
1.8



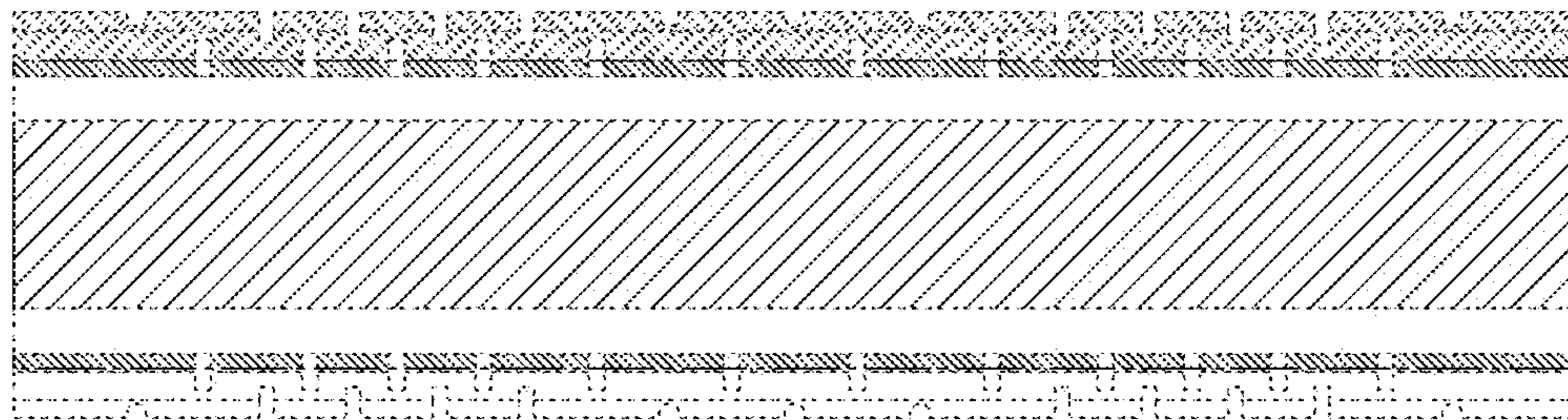
1.9



1.10



1.11



1.12

