



US00D971423S

(12) **United States Design Patent** (10) **Patent No.:** **US D971,423 S**  
**Pan** (45) **Date of Patent:** **\*\* Nov. 29, 2022**

(54) **BREAST PUMP**

(71) Applicant: **SHENZHEN LUTEJIACHENG NETWORK TECHNOLOGY CO., LTD.**, Shenzhen (CN)

(72) Inventor: **Silin Pan**, Shenzhen (CN)

(73) Assignee: **SHENZHEN LUTEJIACHENG NETWORK TECHNOLOGY CO., LTD.**, Shenzhen (CN)

(\*\*) Term: **15 Years**

(21) Appl. No.: **29/812,113**

(22) Filed: **Oct. 19, 2021**

(51) **LOC (13) Cl.** ..... **24-02**

(52) **U.S. Cl.**  
USPC ..... **D24/209**

(58) **Field of Classification Search**  
USPC ..... D24/109; D15/7  
CPC ..... A61M 1/81  
See application file for complete search history.

(56) **References Cited**

**U.S. PATENT DOCUMENTS**

D420,443 S *	2/2000	Morifuji	.....	D24/109
D446,852 S *	8/2001	Johansen	.....	D24/109
D484,236 S *	12/2003	Renz	.....	D24/109
D485,614 S *	1/2004	Renz	.....	D24/109
D486,223 S *	2/2004	Robson	.....	D24/109
D540,939 S *	4/2007	Pukall	.....	D24/109
7,267,662 B1 *	9/2007	Kirchner	.....	A61M 1/81 604/74
D576,268 S *	9/2008	Solberg	.....	D24/109
D583,985 S *	12/2008	Warden	.....	D24/109

D609,331 S *	2/2010	Paterson	.....	D24/109
D681,802 S *	5/2013	Marks	.....	D24/109
D683,442 S *	5/2013	Cudworth	.....	D24/109
D687,074 S *	7/2013	Barack	.....	D15/7
D695,885 S *	12/2013	Thomas	.....	D24/109
D744,086 S *	11/2015	Yamashita	.....	D24/109
D809,646 S *	2/2018	Mason	.....	D24/109
D870,777 S *	12/2019	Pukall	.....	D24/109
D929,564 S *	8/2021	Lee	.....	D24/109
D930,144 S	9/2021	Lee		
D933,811 S	10/2021	Zhang		
D939,688 S *	12/2021	He	.....	D24/109
D965,136 S *	9/2022	Feng	.....	D24/109

\* cited by examiner

*Primary Examiner* — Rhea Shields

(74) *Attorney, Agent, or Firm* — ScienBiziP, P.C.

(57) **CLAIM**

The ornamental design for a breast pump, as shown and described.

**DESCRIPTION**

FIG. 1 is a front, right, and top perspective view of a breast pump, showing my design.

FIG. 2 is a front elevation view thereof.

FIG. 3 is a rear elevation view thereof.

FIG. 4 is a left side elevation view thereof.

FIG. 5 is a right side elevation view thereof.

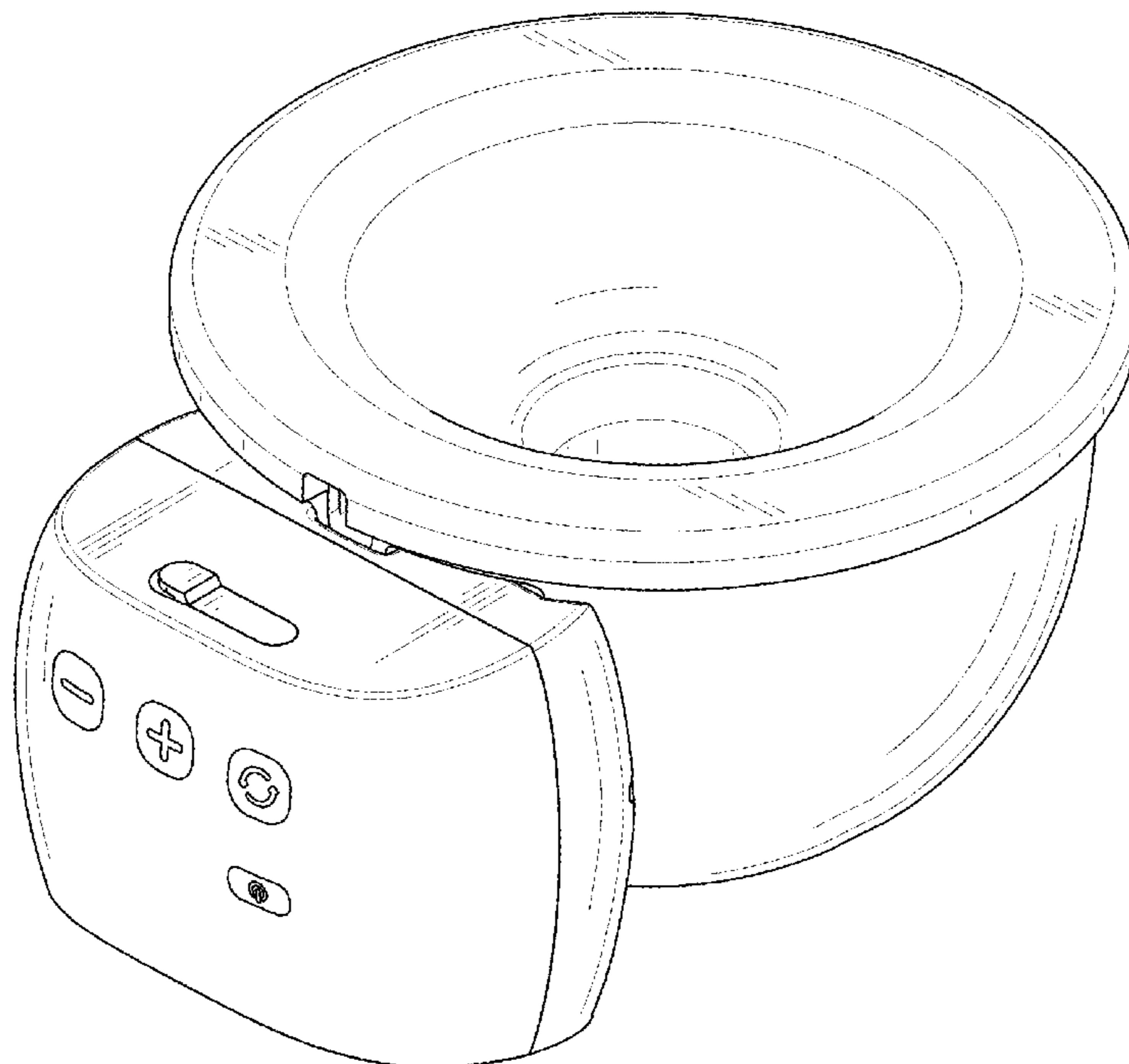
FIG. 6 is a top plan view thereof.

FIG. 7 is a bottom plan view thereof; and,

FIG. 8 is a cross-sectional view of the breast pump of FIG. 1, taken along section line 8-8 as depicted in FIG. 6.

The broken lines shown in the drawings are included for the purpose of illustrating portions of the breast pump that form no part of the claimed design.

**1 Claim, 8 Drawing Sheets**



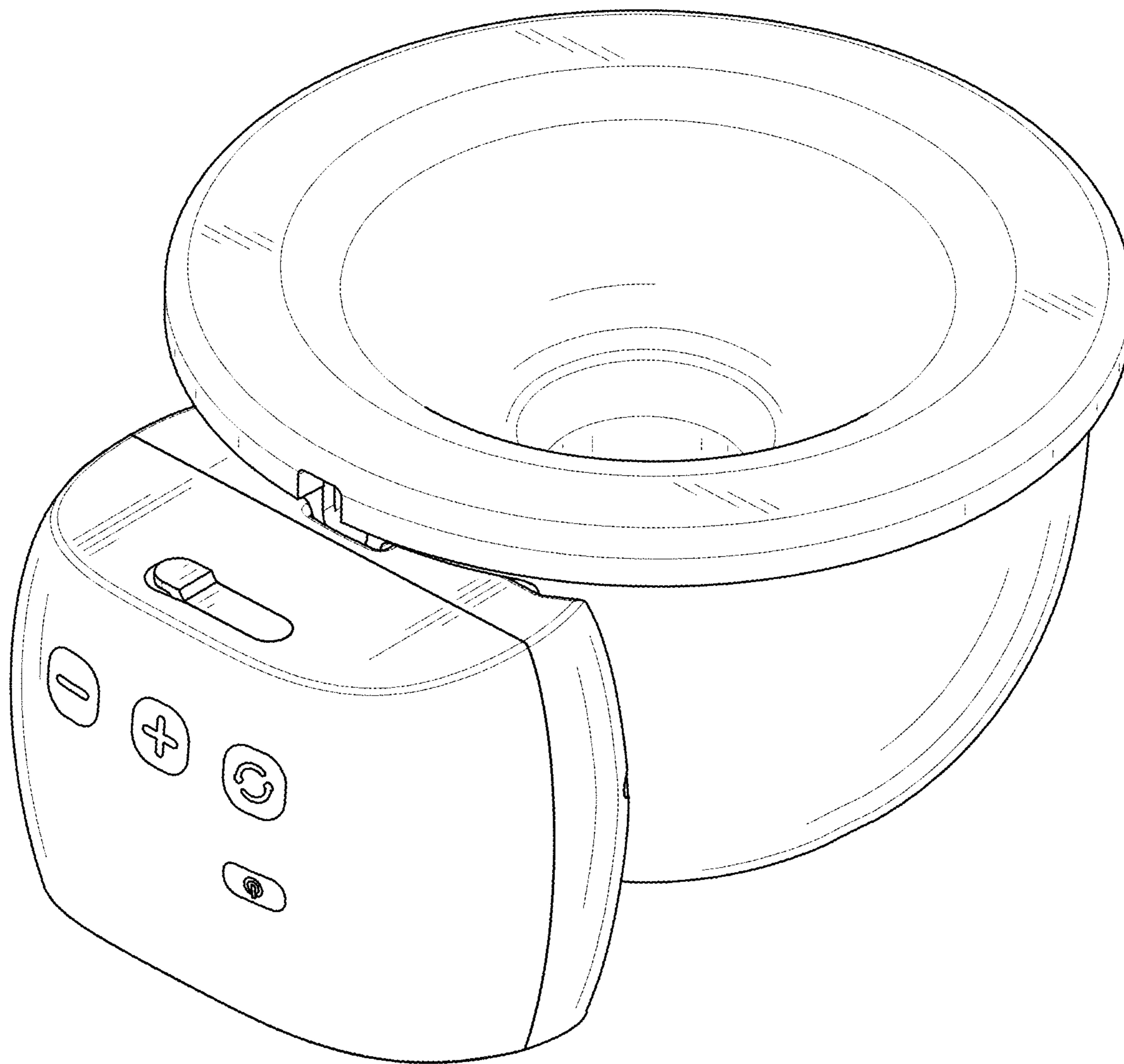


FIG. 1

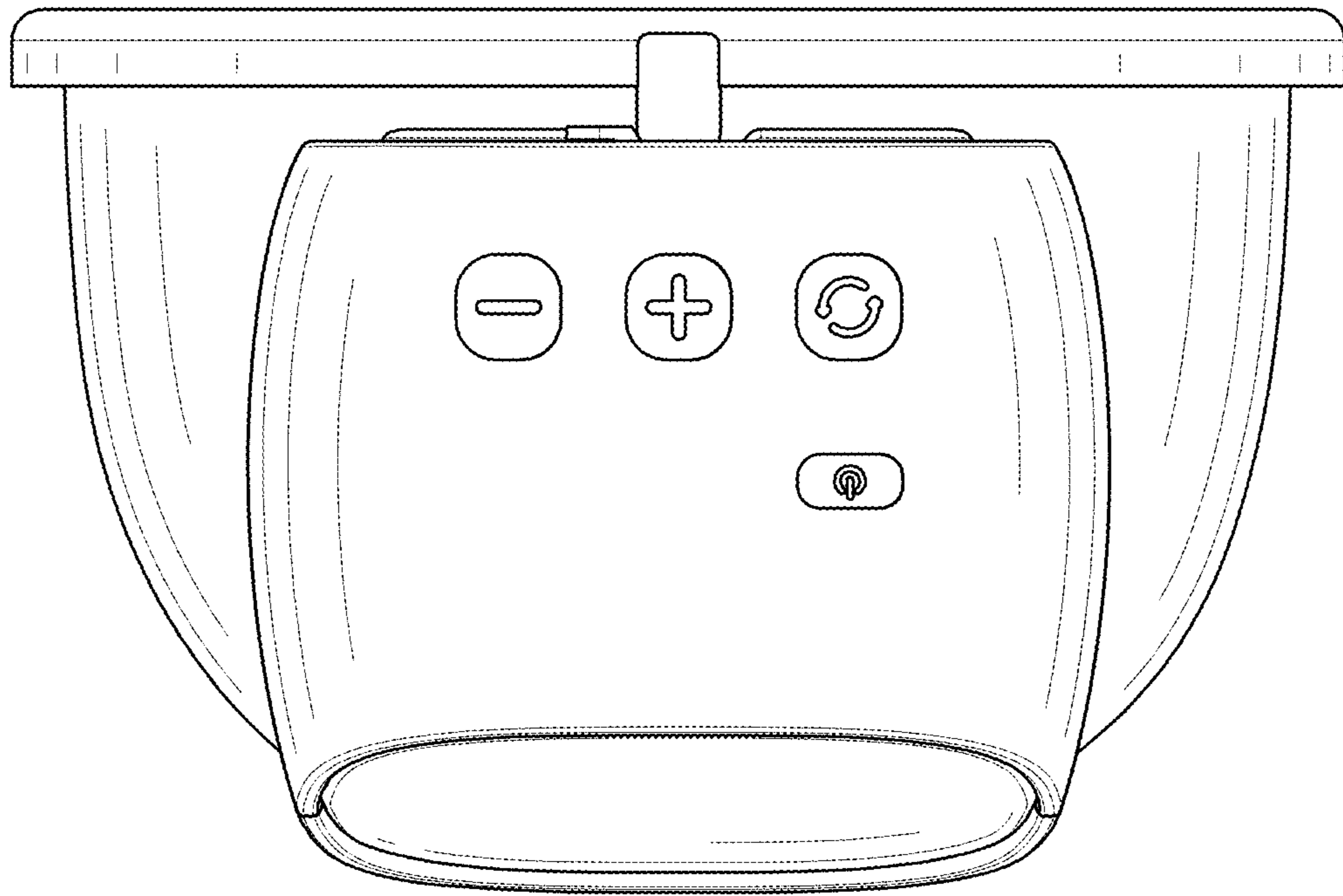


FIG. 2

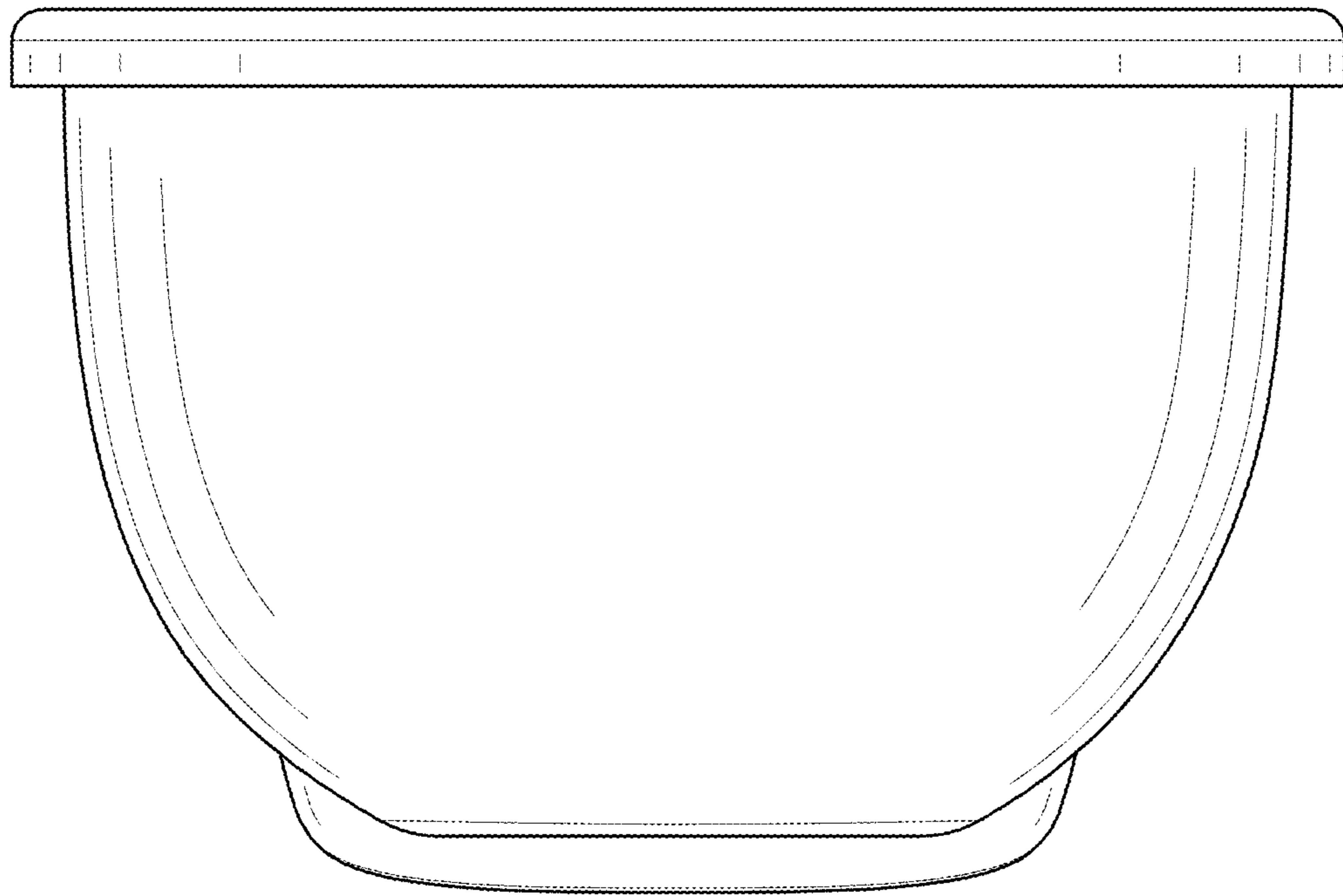


FIG. 3

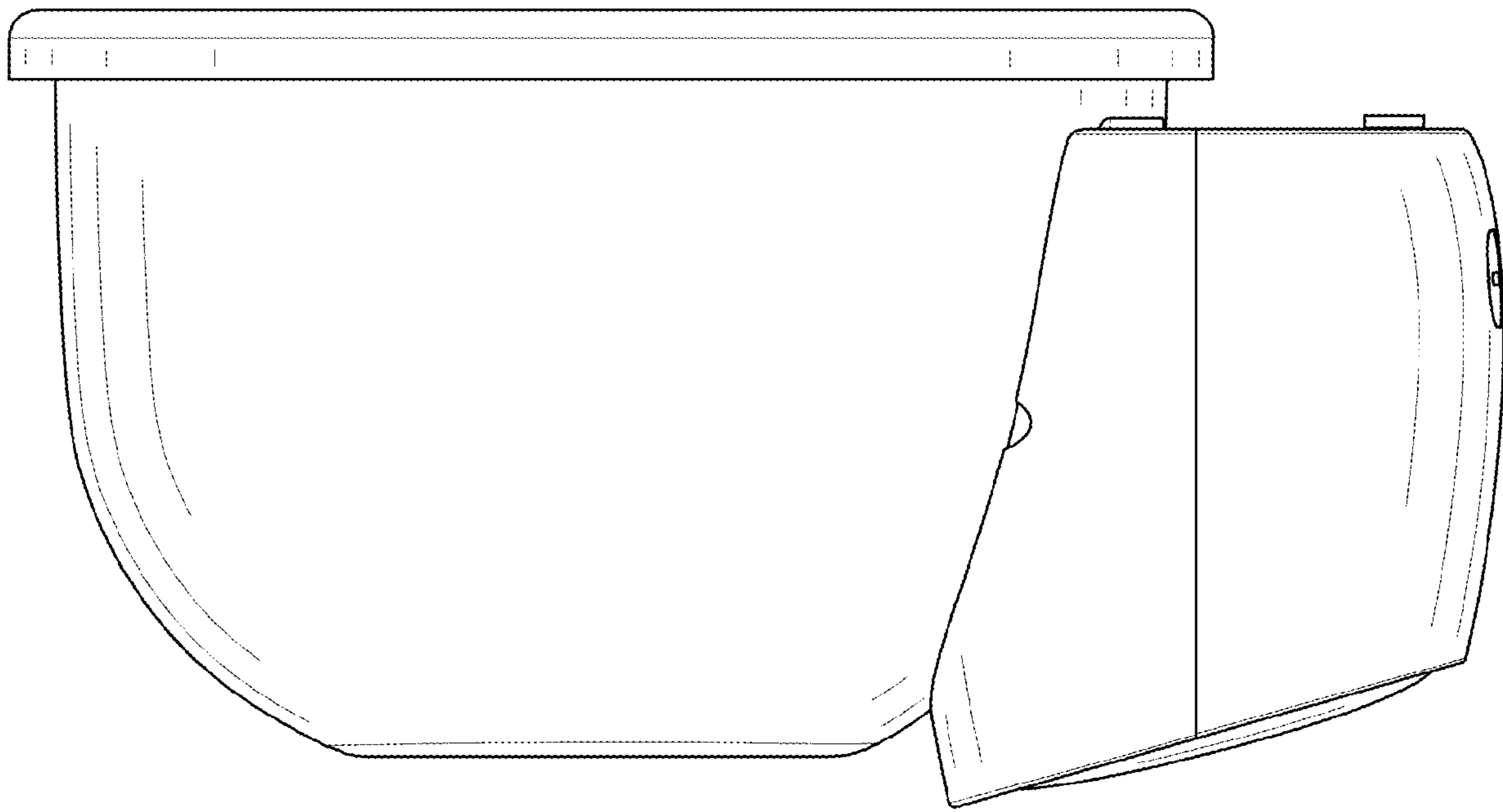


FIG. 4

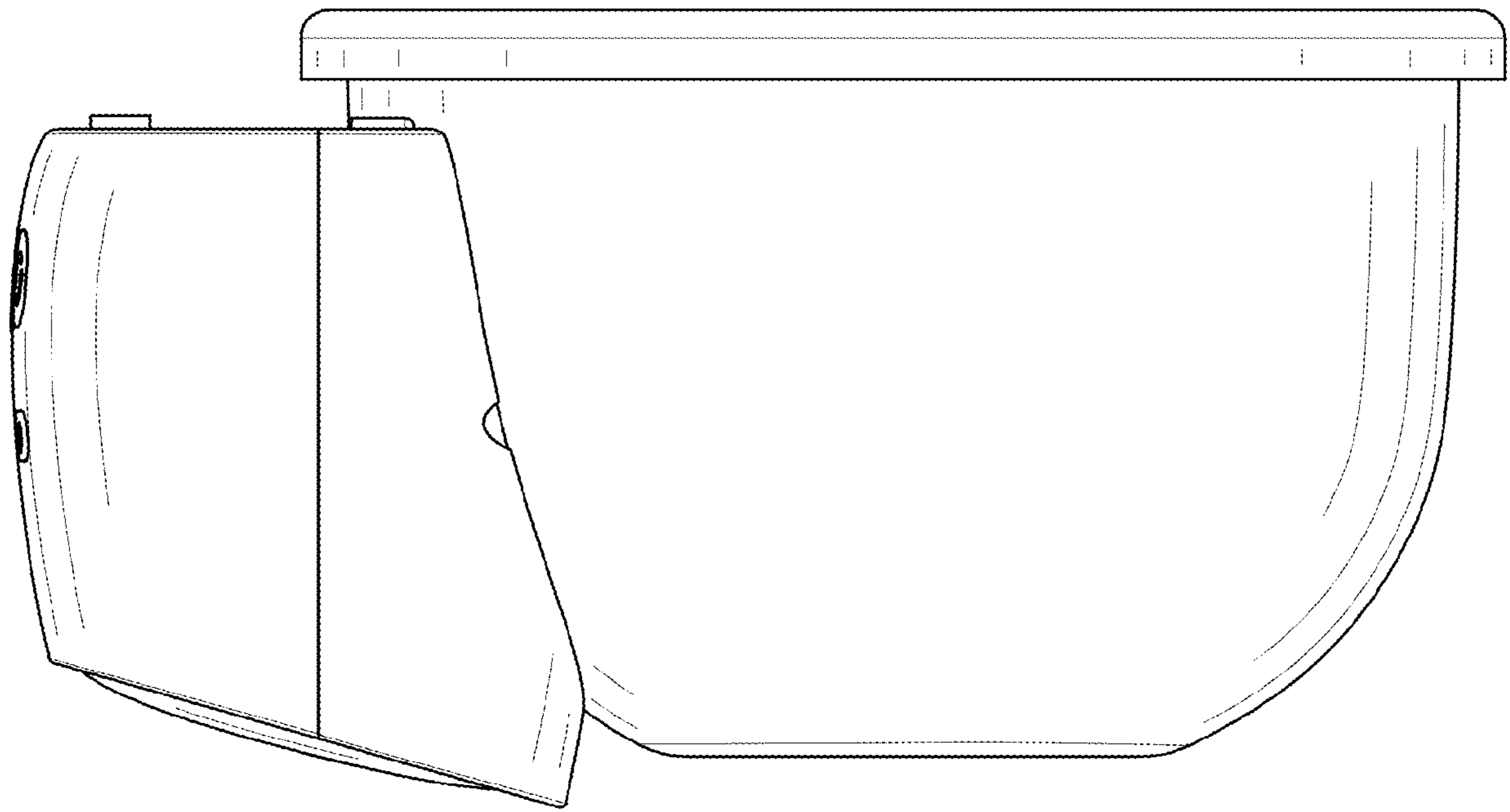


FIG. 5

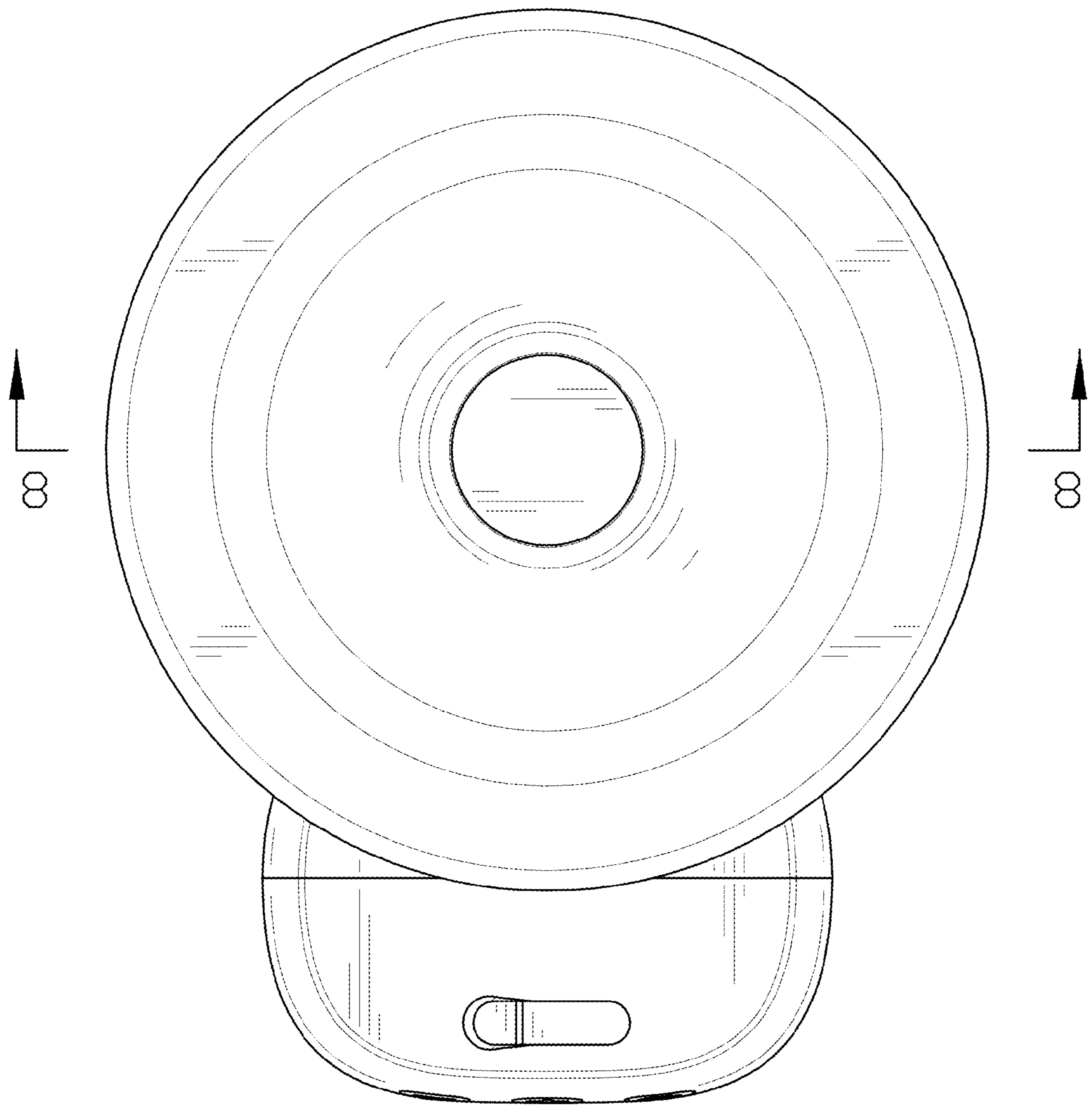


FIG. 6

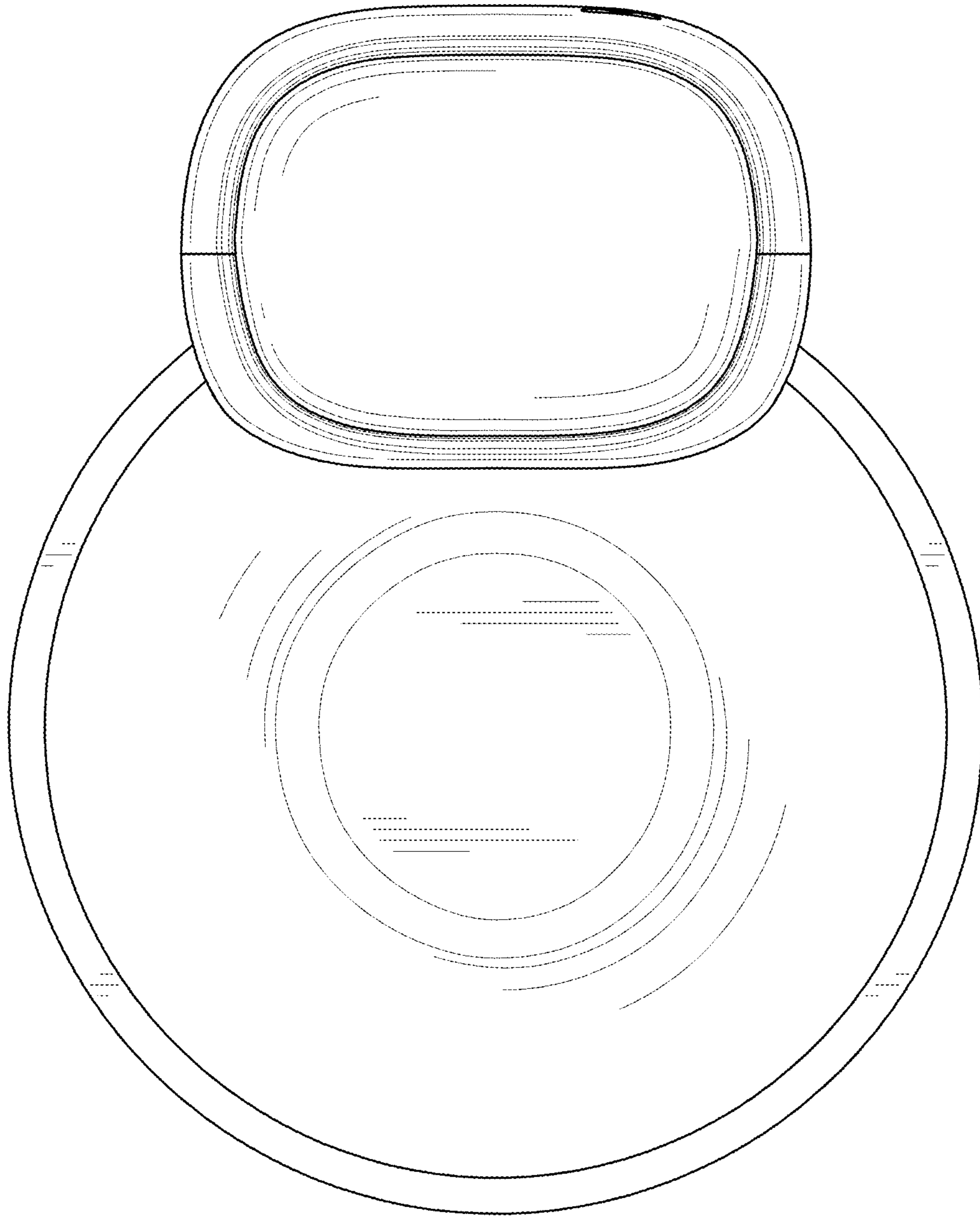


FIG. 7



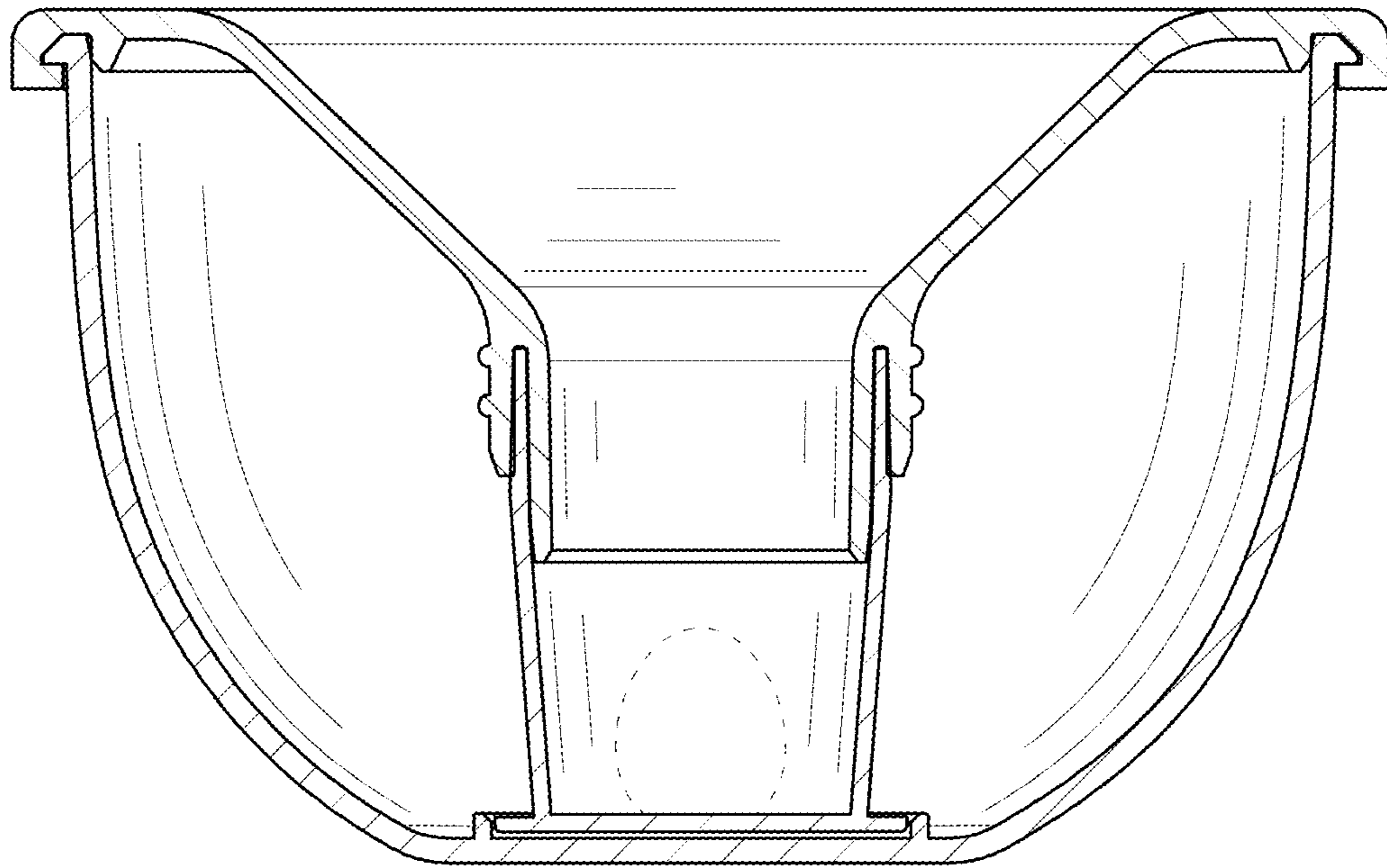


FIG. 8