



US00D971419S

(12) **United States Design Patent** (10) **Patent No.:** **US D971,419 S**
Zhu (45) **Date of Patent:** **** Nov. 29, 2022**

(54) **TEETHING TOY**

OTHER PUBLICATIONS

(71) Applicant: **Xinmin Pi**, Qianjiang (CN)
(72) Inventor: **Chunhua Zhu**, Dongguan (CN)
(73) Assignee: **Xinmin Pi**, Qianjiang (CN)
(**) Term: **15 Years**

Amazon, "Haili Baby Teething Toys", Earliest Review Date: Jan. 16, 2022. https://www.amazon.com/Teething-Freezer-Silicone-Teether-Spanner/dp/B09NYB3YHQ/ref=cm_cr_arp_d_product_top?ie=UTF8 (Year: 2022).
Amazon, "Frerdui Baby Boy Toys", Earliest Review Date: Jan. 21, 2022. https://www.amazon.com/4Pack-Teethers-Pacifier-Teething-Months/dp/B09NXW4XCZ/ref=cm_cr_arp_d_product_top?ie=UTF8 (Year: 2022).
Amazon UK, "Osdue 6 pcs Teething Toys", Earliest Review Date: Apr. 12, 2022. https://www.amazon.co.uk/OSDUE-Toys%EF%BC%8CBaby-Stimulates-Gums%EF%BC%8CSoothing-Anti-Lost/dp/B09R1NFLKP/ref=cm_cr_arp_d_product_top?ie=UTF8 (Year: 2022).

(21) Appl. No.: **29/820,866**

* cited by examiner

(22) Filed: **Dec. 24, 2021**

Primary Examiner — Michael A Maharajh

(51) **LOC (13) Cl.** **24-04**

(52) **U.S. Cl.**
USPC **D24/195**; D24/194

(58) **Field of Classification Search**
USPC D24/193, 194, 195, 200, 211, 212, 213,
D24/214, 215; D30/160
CPC A61J 17/02; A61J 17/001; A61J 17/00;
A01K 15/026
See application file for complete search history.

(57) **CLAIM**

The ornamental design for a teething toy, as shown and described.

(56) **References Cited**

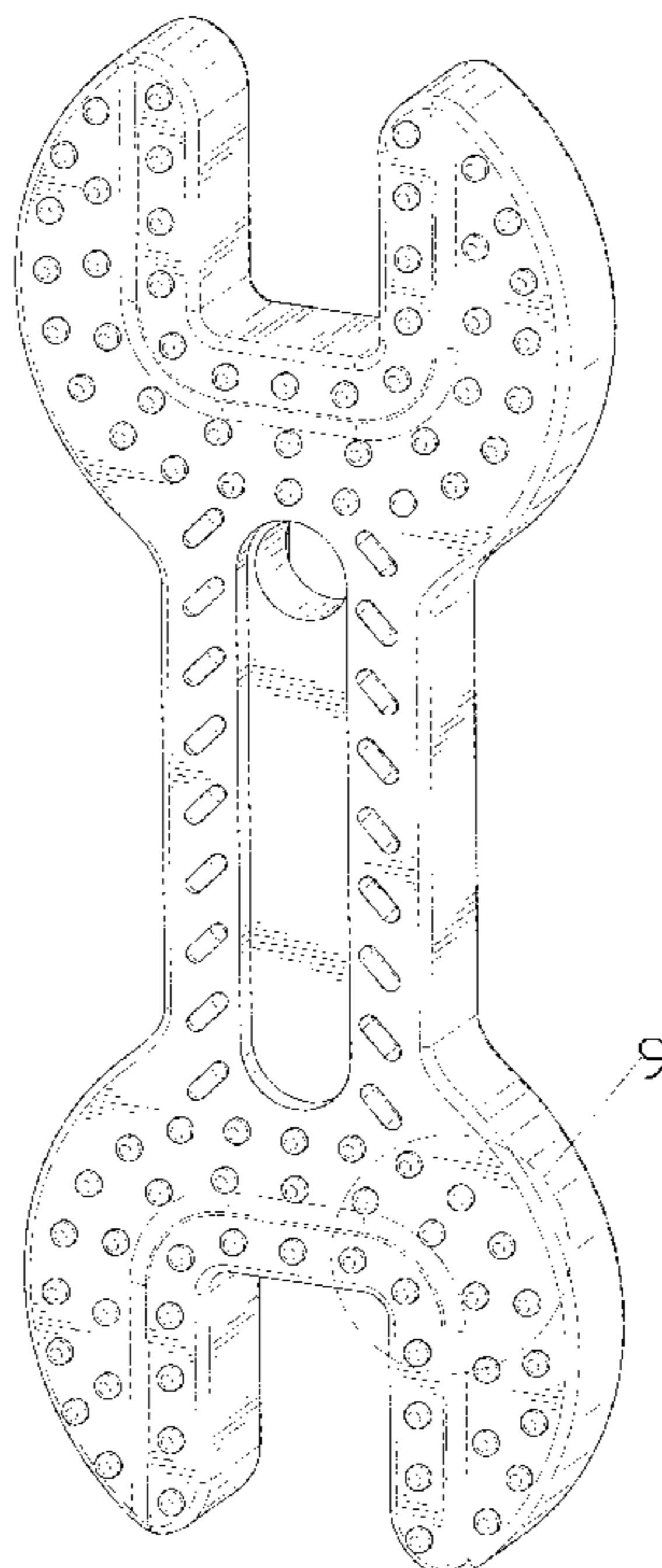
DESCRIPTION

U.S. PATENT DOCUMENTS

D343,262 S *	1/1994	Axelrod	D30/160
D534,694 S *	1/2007	Pozzoni	D30/160
D721,439 S	1/2015	Swartz		
D755,983 S	5/2016	Huang		
D768,864 S *	10/2016	Bredemeier	D24/195
D836,207 S *	12/2018	Kim	D24/194
D838,418 S *	1/2019	Zelinger	D30/160
D870,400 S *	12/2019	Toolan	D30/160
D871,686 S *	12/2019	Toolan	D30/160
D947,393 S *	3/2022	Schill	D24/194
D947,394 S *	3/2022	Schill	D24/194
D950,744 S *	5/2022	Lowsky	D24/194
D957,757 S *	7/2022	Lin	D30/160
D962,562 S *	8/2022	Zhao	D30/160

FIG. 1 is a perspective view of a teething toy showing my new design;
FIG. 2 is another perspective view thereof;
FIG. 3 is a front elevational view thereof;
FIG. 4 is a rear elevational view thereof;
FIG. 5 is a left side elevational view thereof;
FIG. 6 is a right side elevational view thereof;
FIG. 7 is a top plan view thereof;
FIG. 8 is a bottom plan view thereof; and,
FIG. 9 is an enlarged view of portion 9 shown in FIG. 1. The dot-dash broken lines represent the boundary of the enlarged portion and form no part of the claimed design.

1 Claim, 9 Drawing Sheets



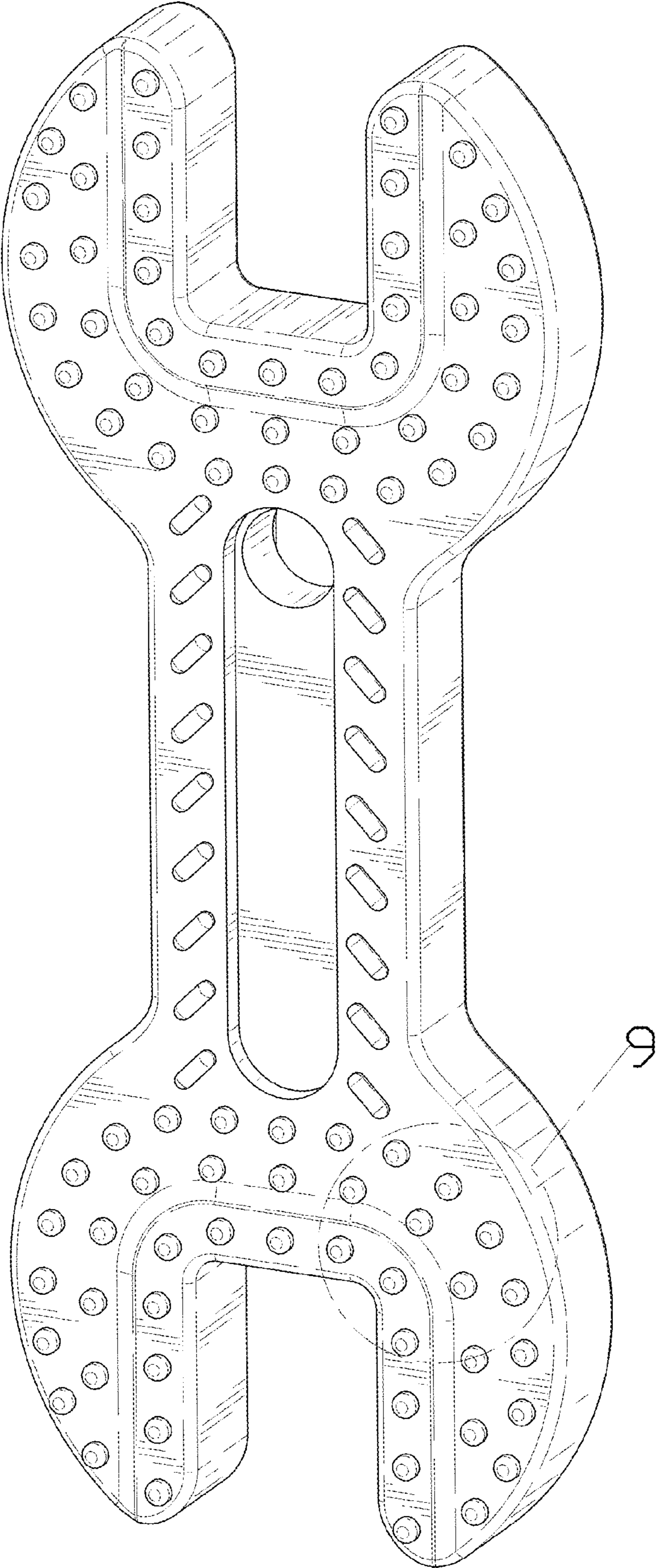


FIG. 1

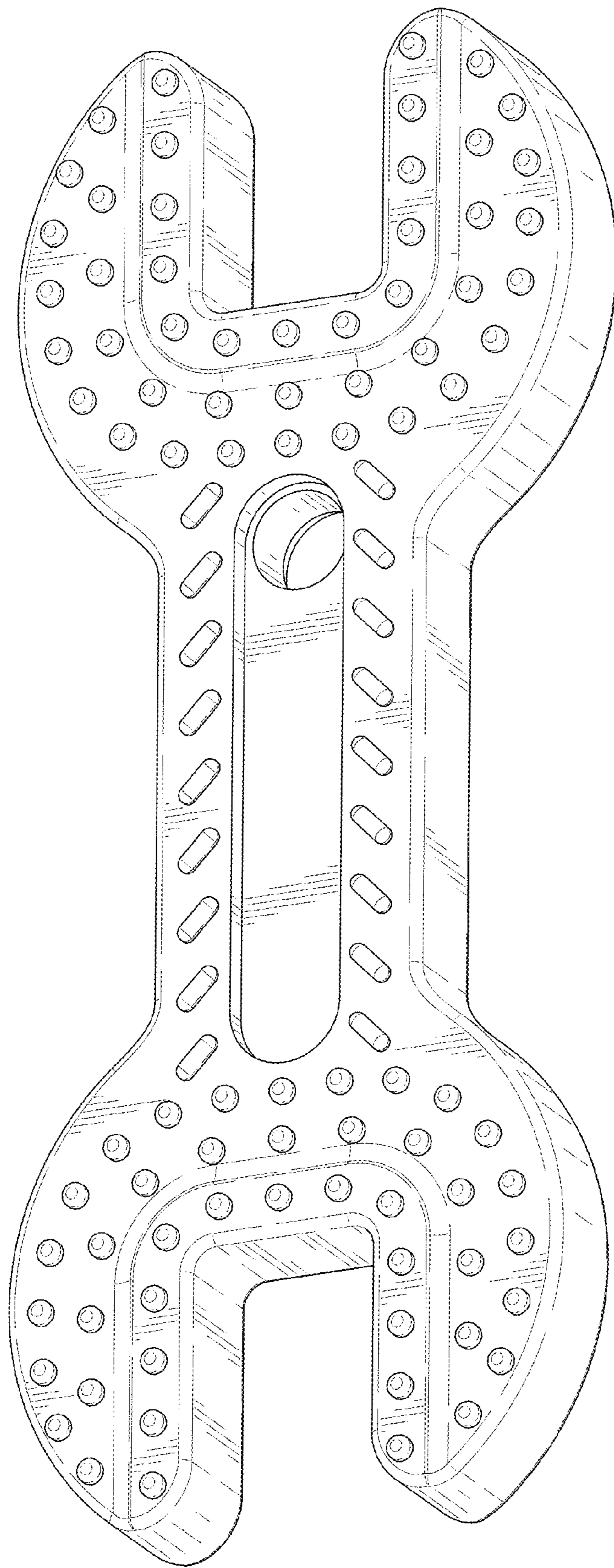


FIG. 2

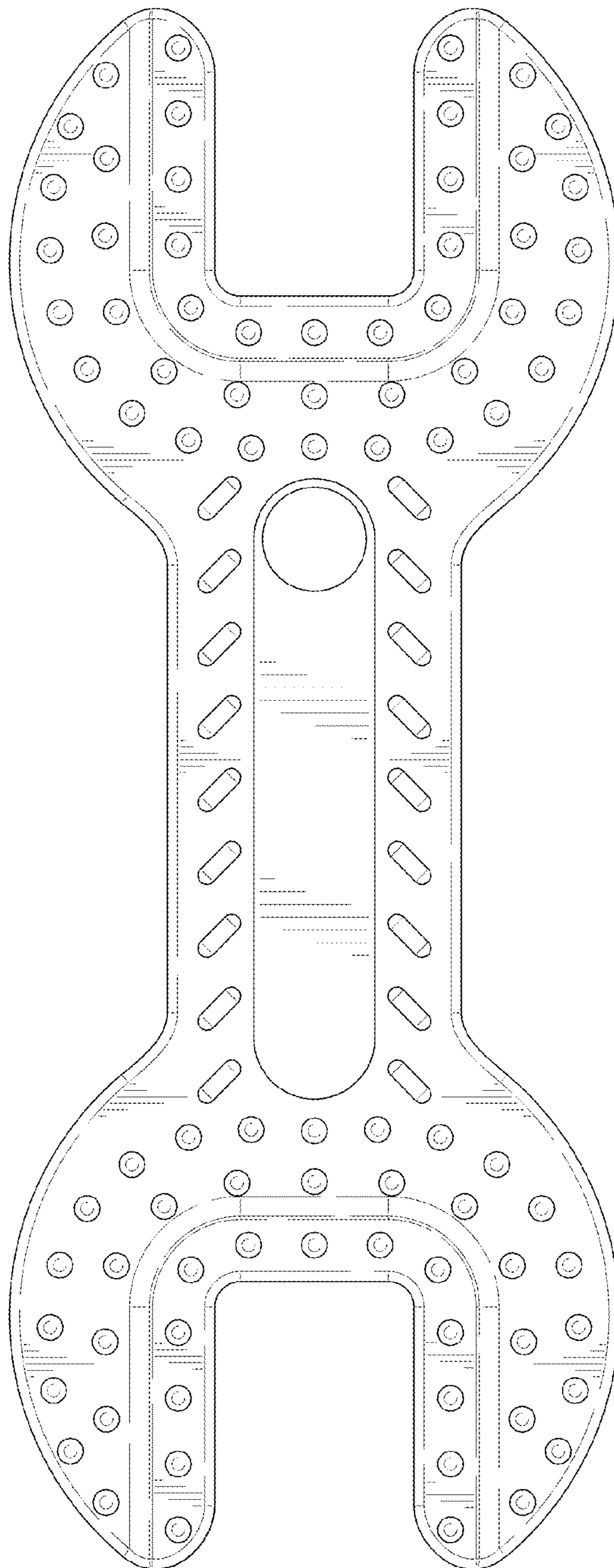


FIG. 3

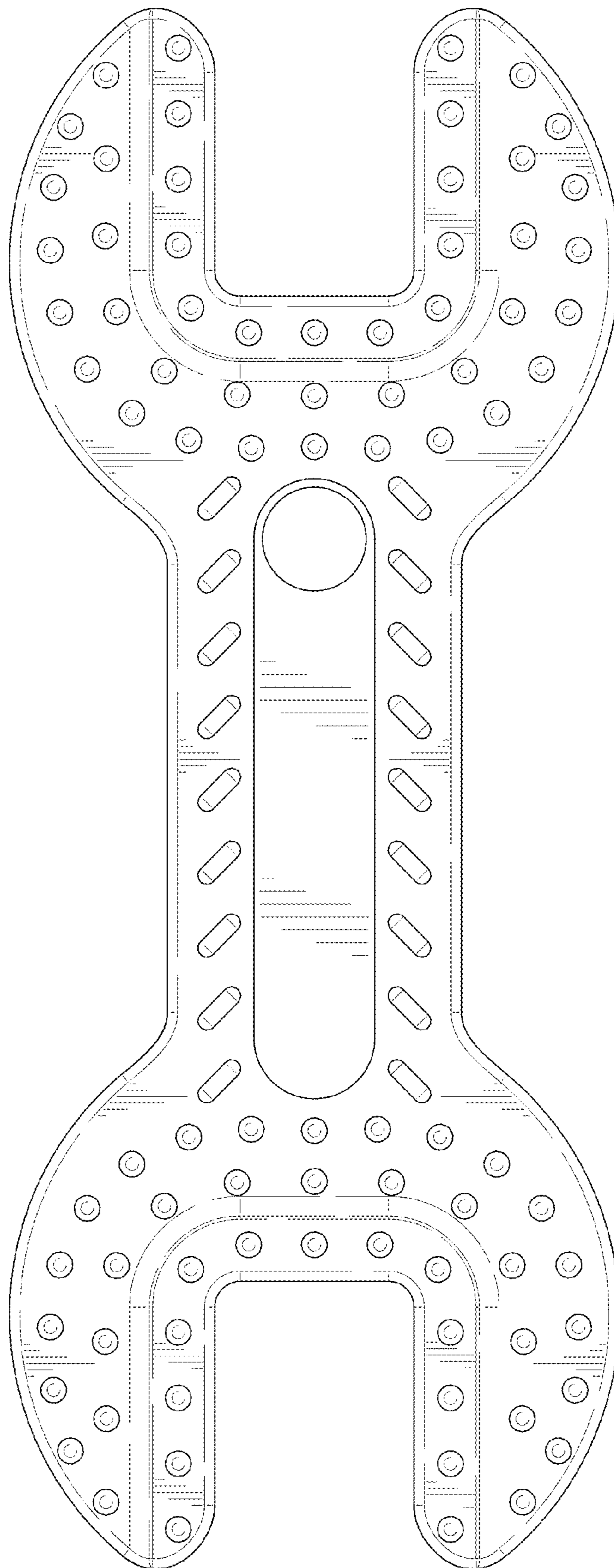


FIG. 4

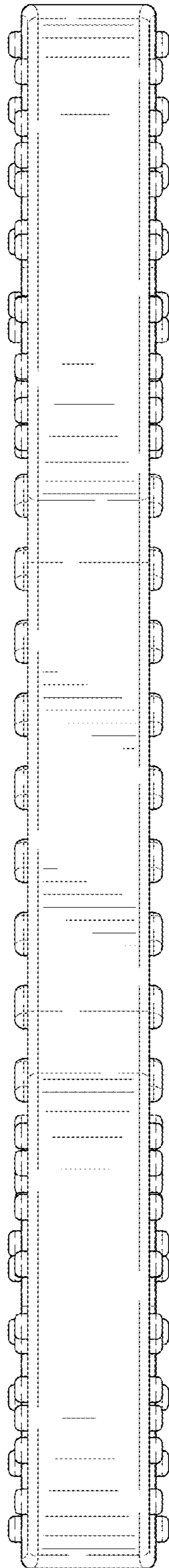


FIG. 5

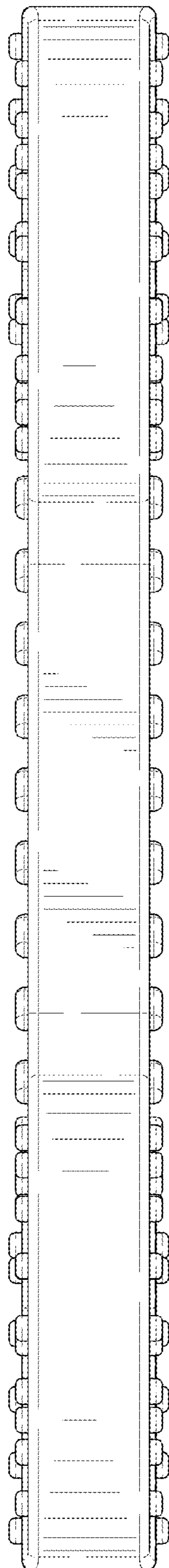


FIG. 6

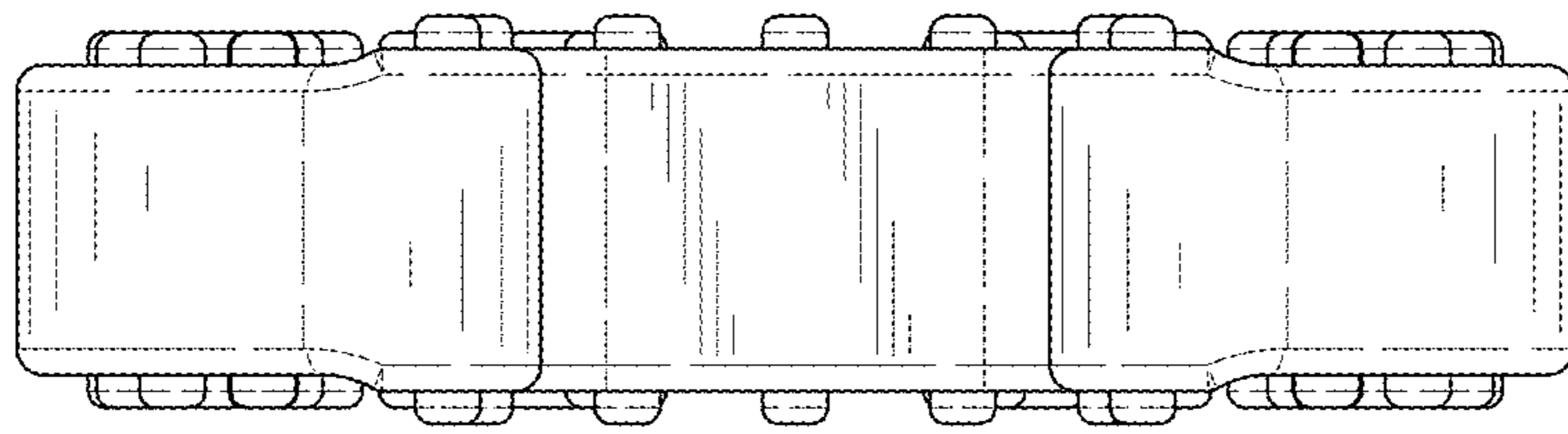


FIG. 7

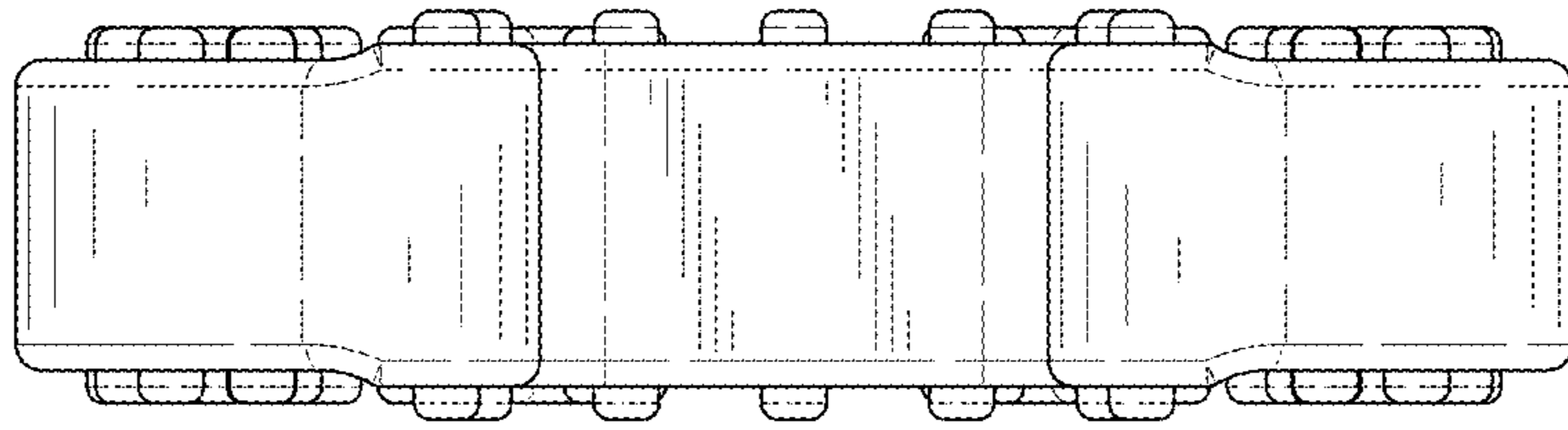


FIG. 8

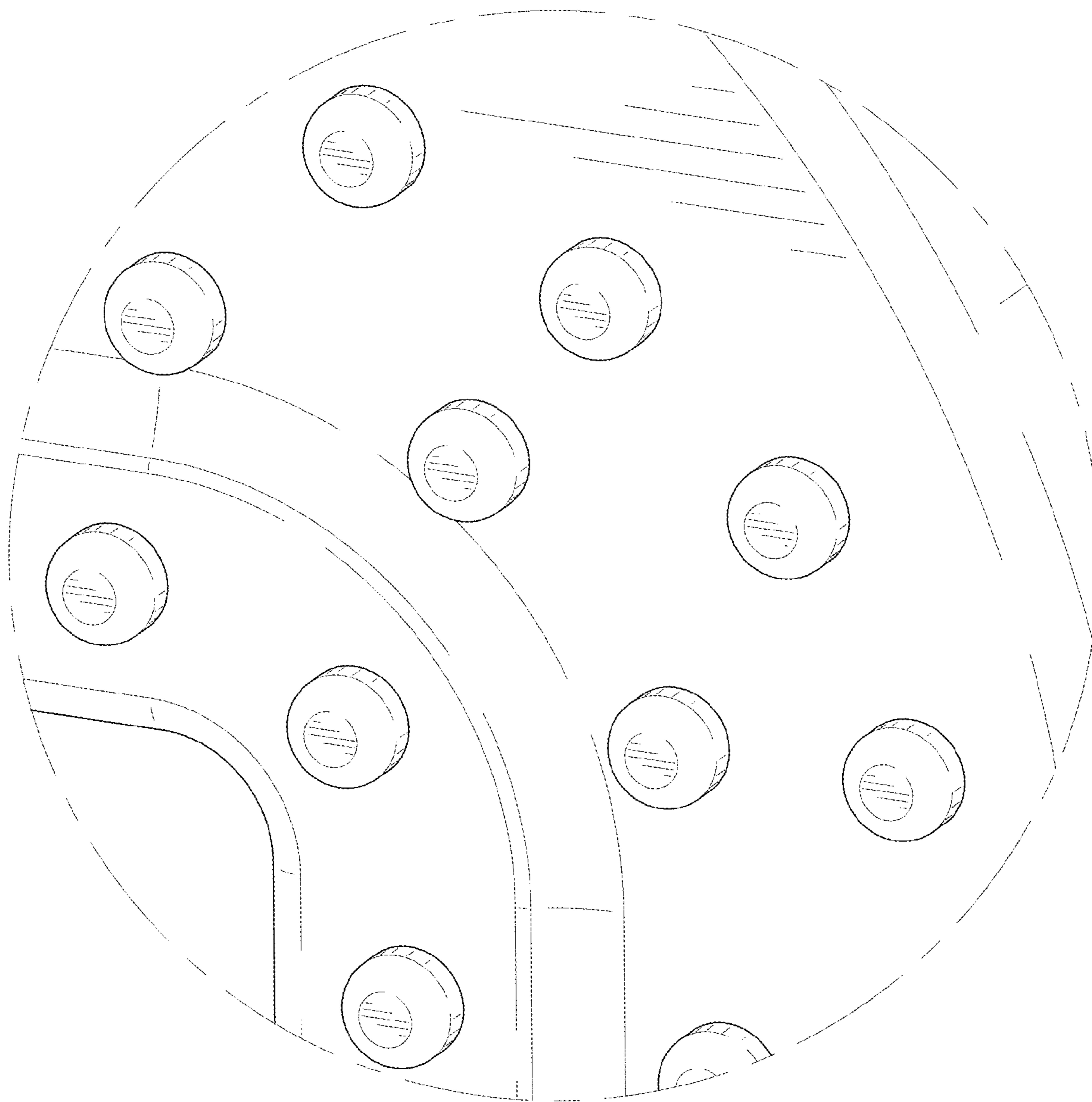


FIG. 9