



US00D971418S

(12) **United States Design Patent** (10) **Patent No.:** **US D971,418 S**
Wu (45) **Date of Patent:** **** Nov. 29, 2022**

(54) **PACIFIER**

OTHER PUBLICATIONS

(71) Applicant: **Shenzhen Yuanfeng Baby Products Co., Ltd.**, Shenzhen (CN)
(72) Inventor: **Shujuan Wu**, Shenzhen (CN)
(**) Term: **15 Years**
(21) Appl. No.: **29/800,922**
(22) Filed: **Jul. 24, 2021**
(51) **LOC (13) Cl.** **24-04**
(52) **U.S. Cl.**
USPC **D24/195**
(58) **Field of Classification Search**
USPC D24/115, 117, 193, 194, 195, 196, 214;
D30/160; D21/418, 496, 576, 621, 625,
D21/627, 628
CPC A61J 17/001; A61J 17/02
See application file for complete search history.

“Hapbay: New Lip Pacifier”. Found online Mar. 25, 2022. Reference dated Mar. 25, 2022. Retrieved from <https://inf.news/en/baby/eb3802428a925af0752c3b15e24e1d6f.html>.
“Billy Bob: Kiss Me Pacifier”. Found online Jul. 29, 2016 at amazon.com. Reference dated Dec. 4, 2011. Retrieved from https://www.amazon.com/Billy-Bob-Pacifier-Kiss-Me/dp/B001B0D0P0/ref=cm_cr_arp_d_product_top?ie=UTF8.
“CD: Pink Pacifer Pink Lips”. Found online Aug. 4, 2016 at amazon.com. Reference dated Apr. 8, 2014. Retrieved from <https://www.amazon.com/Kiss-Lips-Pacifier-Months-9PKLP-3M/dp/B00GRWZI5W>.
“BabyStache: Kissable Wrangler Pacifier”. Found online Jul. 29, 2016 at amazon.com. Reference dated Sep. 12, 2014. Retrieved from https://www.amazon.com/BabyStache-Kissable-Pacifier-Wrangler-Brown/dp/B01DKS5ECC/ref=cm_cr_othr_d_product_top?ie=UTF8.

* cited by examiner

Primary Examiner — Kendra Leslie Hamilton

(57) **CLAIM**

The ornamental design for a pacifier, as shown and described.

DESCRIPTION

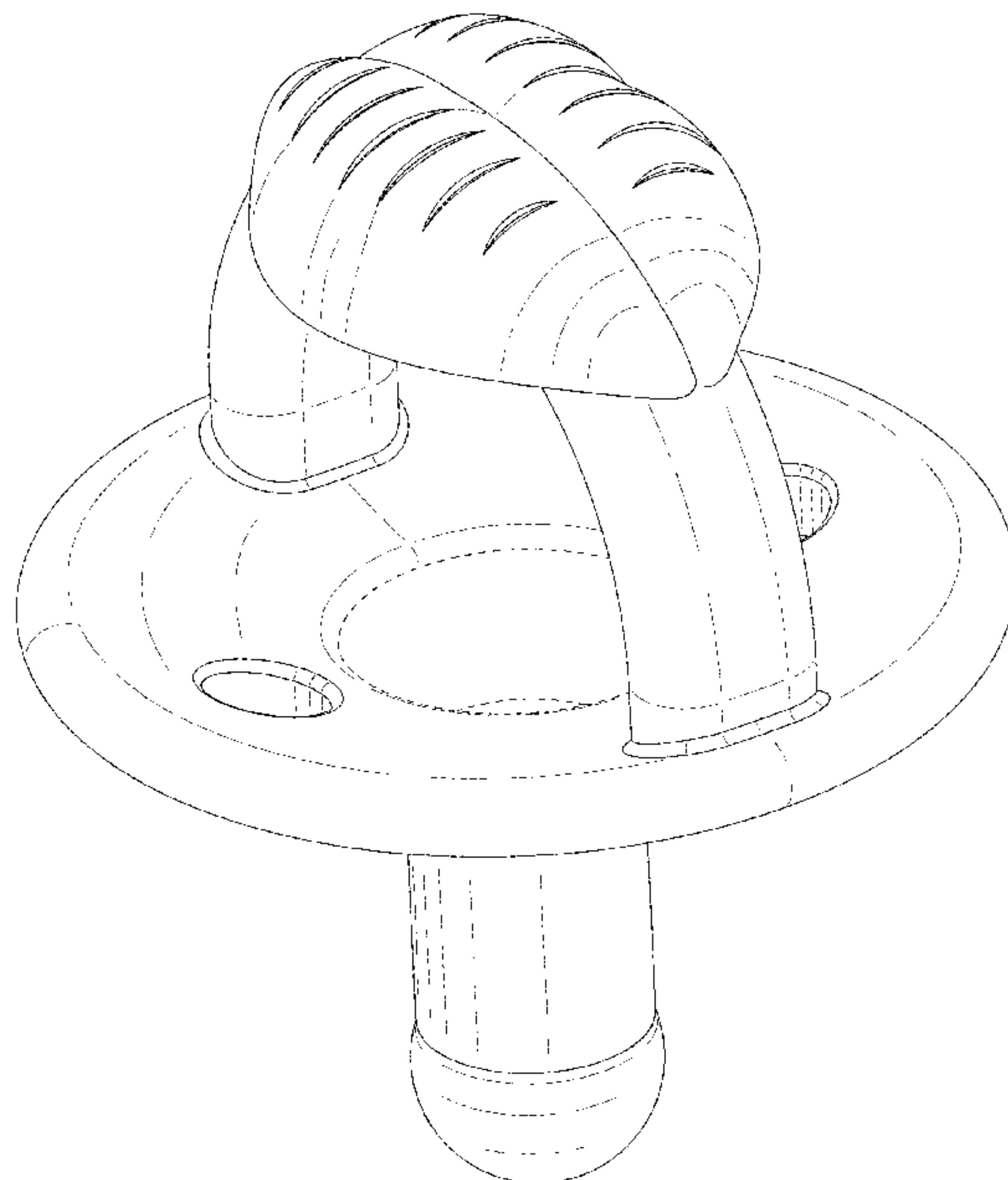
FIG. 1 is a perspective view of a pacifier, showing my new design;
FIG. 2 is another perspective view thereof;
FIG. 3 is a front view thereof;
FIG. 4 is a rear view thereof;
FIG. 5 is a left side view thereof;
FIG. 6 is a right side view thereof;
FIG. 7 is a top plan view thereof; and,
FIG. 8 is a bottom plan view thereof.
The equal-length broken lines in the drawings depict portions of the pacifier that form no part of the claimed design.

1 Claim, 8 Drawing Sheets

(56) **References Cited**

U.S. PATENT DOCUMENTS

D271,052	S	*	10/1983	Qually	D21/661
D309,640	S	*	7/1990	Knudsen	D21/496
D337,641	S	*	7/1993	Luckey	D24/195
D338,274	S	*	8/1993	Chuang	D24/194
D415,568	S	*	10/1999	Bernd	D24/195
D462,773	S	*	9/2002	Viana	D24/195
D662,599	S	*	6/2012	Rhodes, II	D24/194
D674,496	S		1/2013	Gesellschaft		
D895,819	S	*	9/2020	Douglas	D24/195
D901,126	S	*	11/2020	Luo	D1/115
2003/0100922	A1	*	5/2003	Fitzpatrick	A61J 17/109 606/236
2019/0254933	A1	*	8/2019	Lake	A61J 17/105
2020/0022882	A1	*	1/2020	Aslan	A61J 17/02
2020/0093707	A1	*	3/2020	Ferrell	A61J 17/02



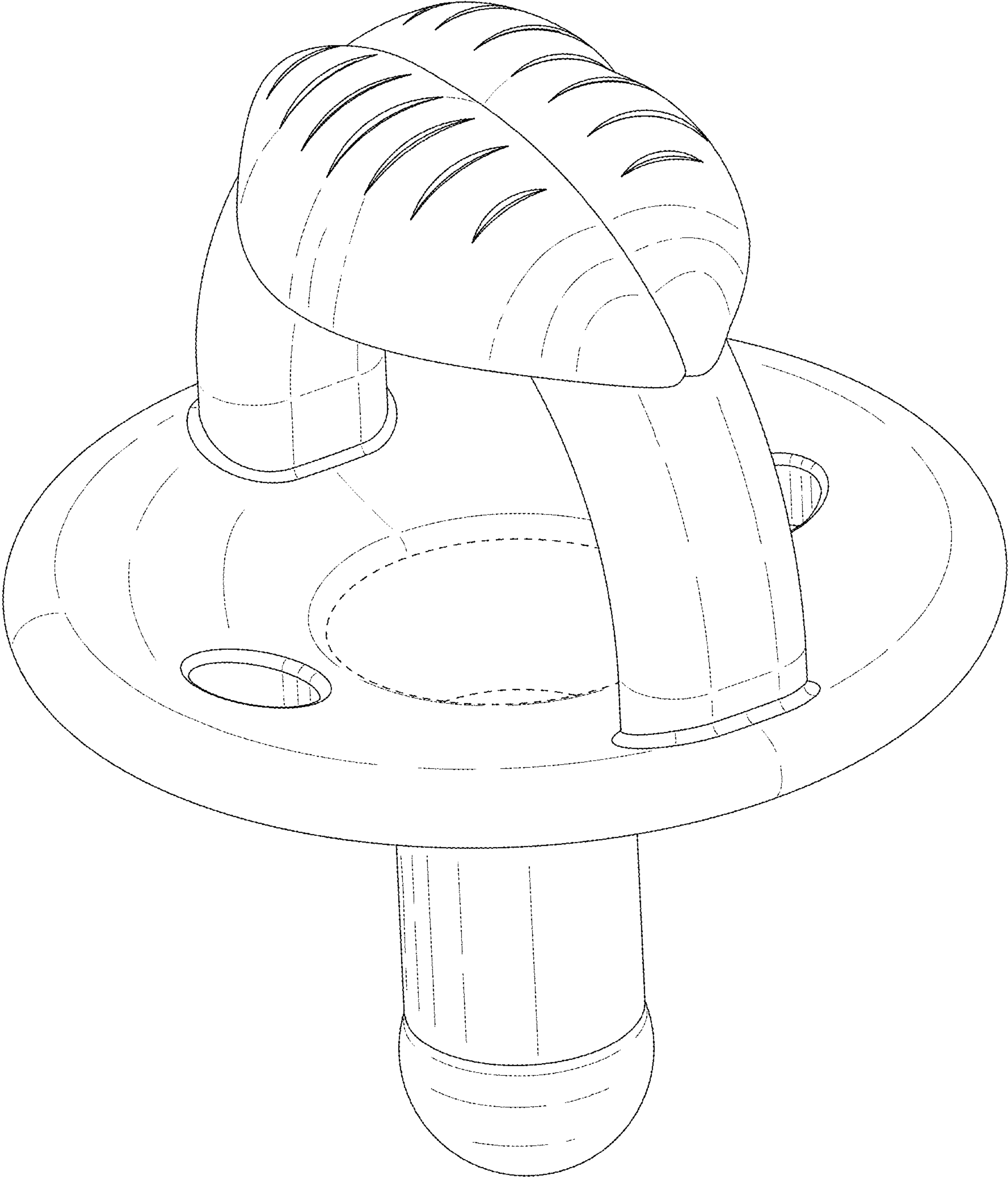


FIG. 1

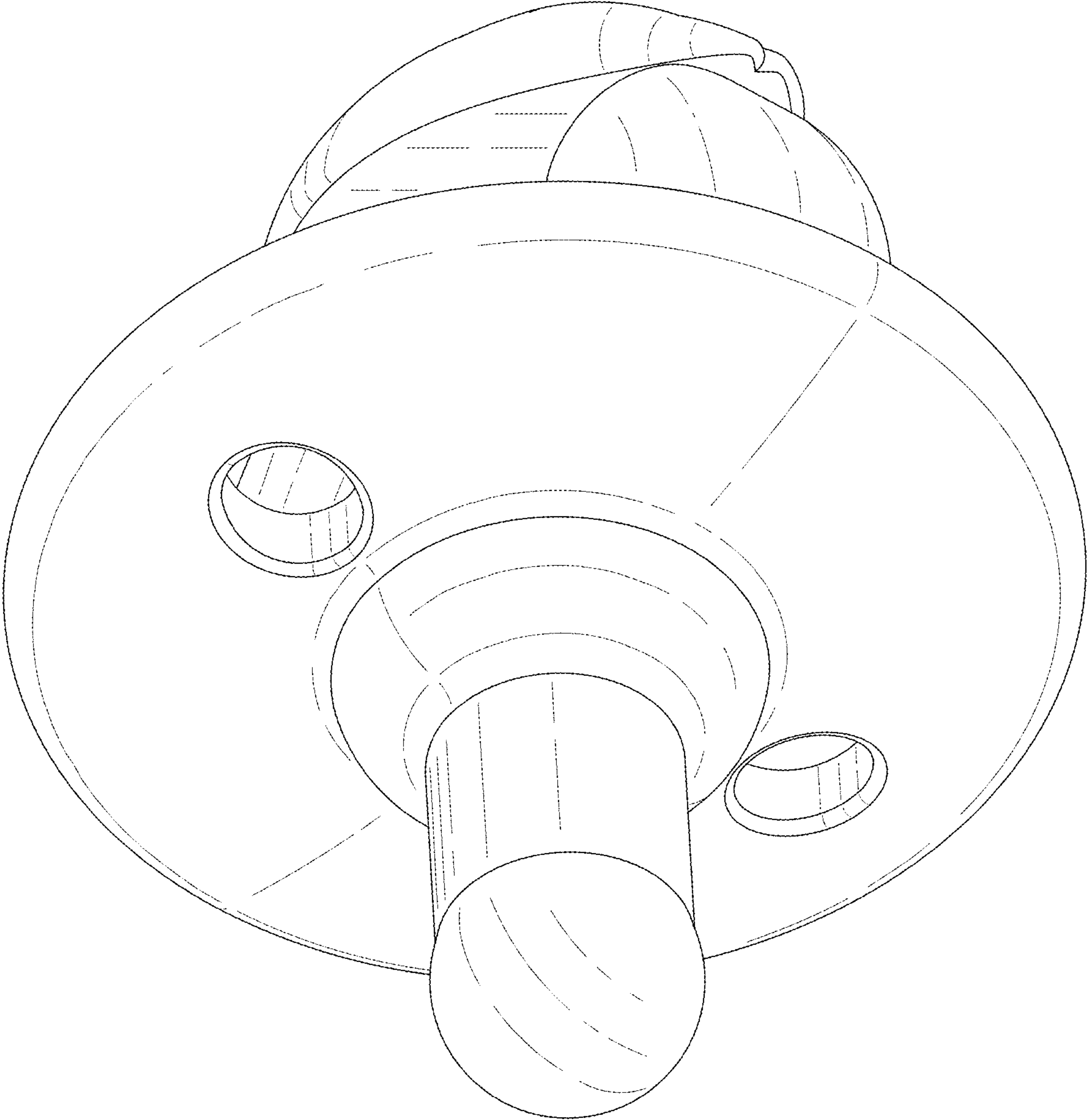


FIG. 2

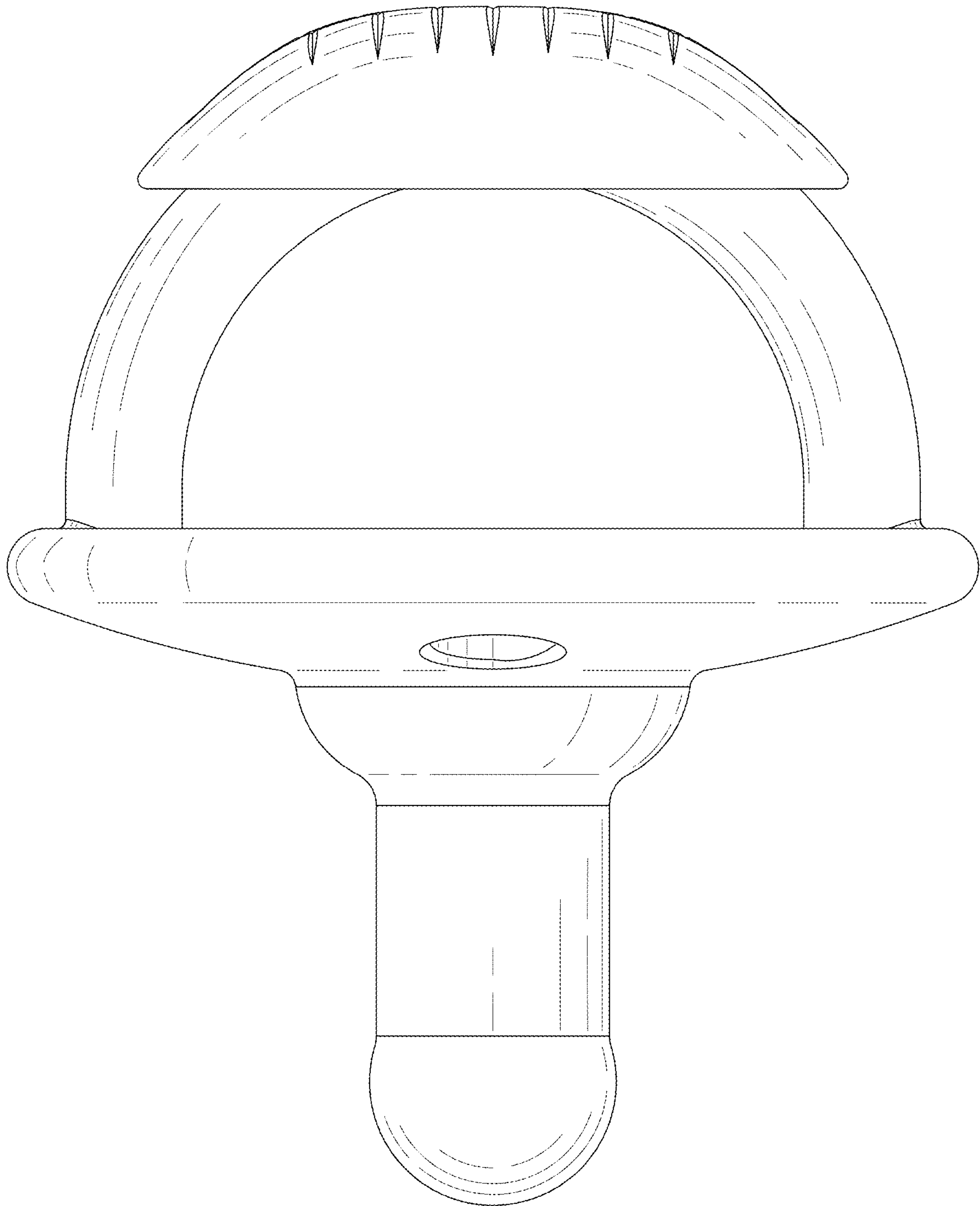


FIG. 3

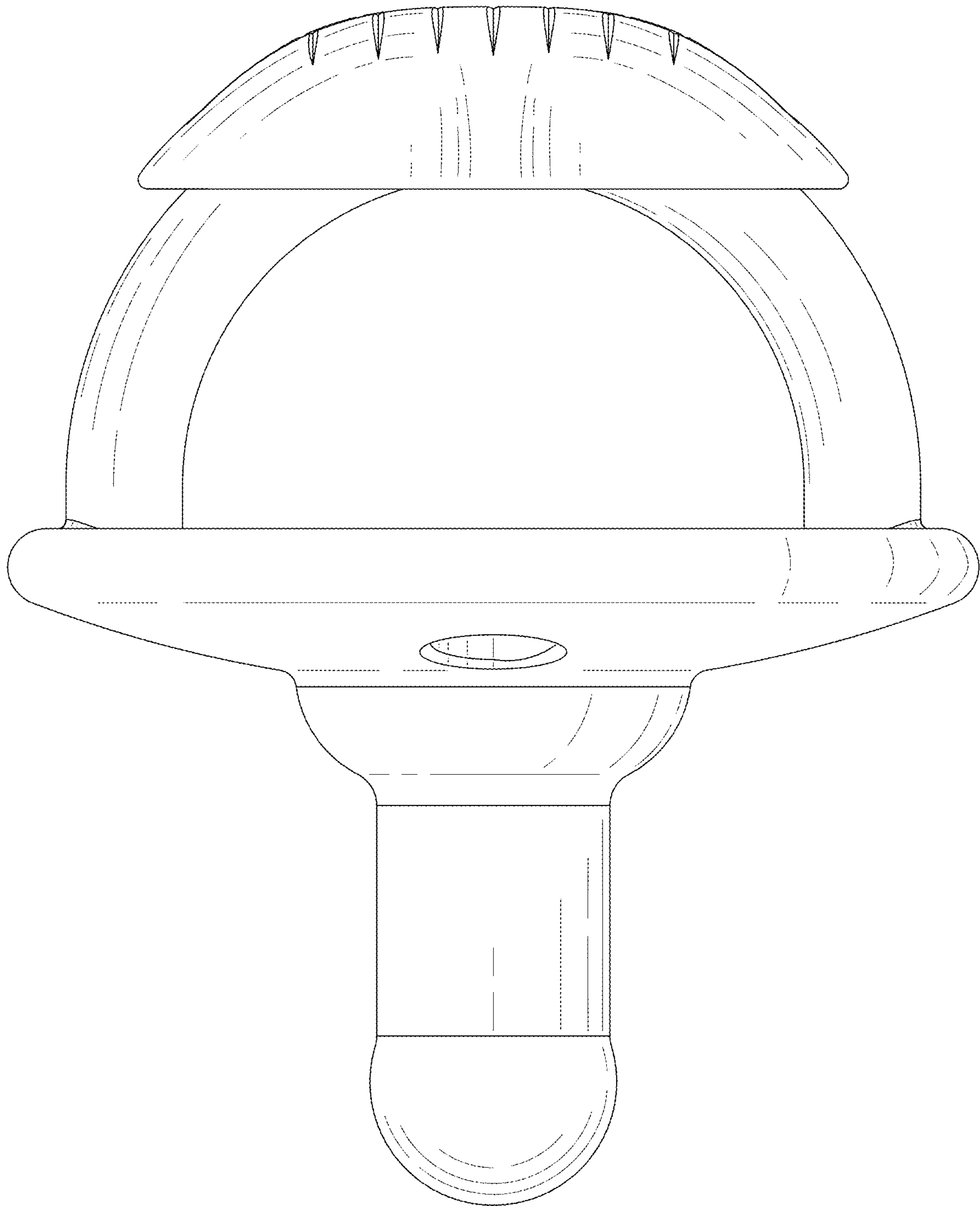


FIG. 4

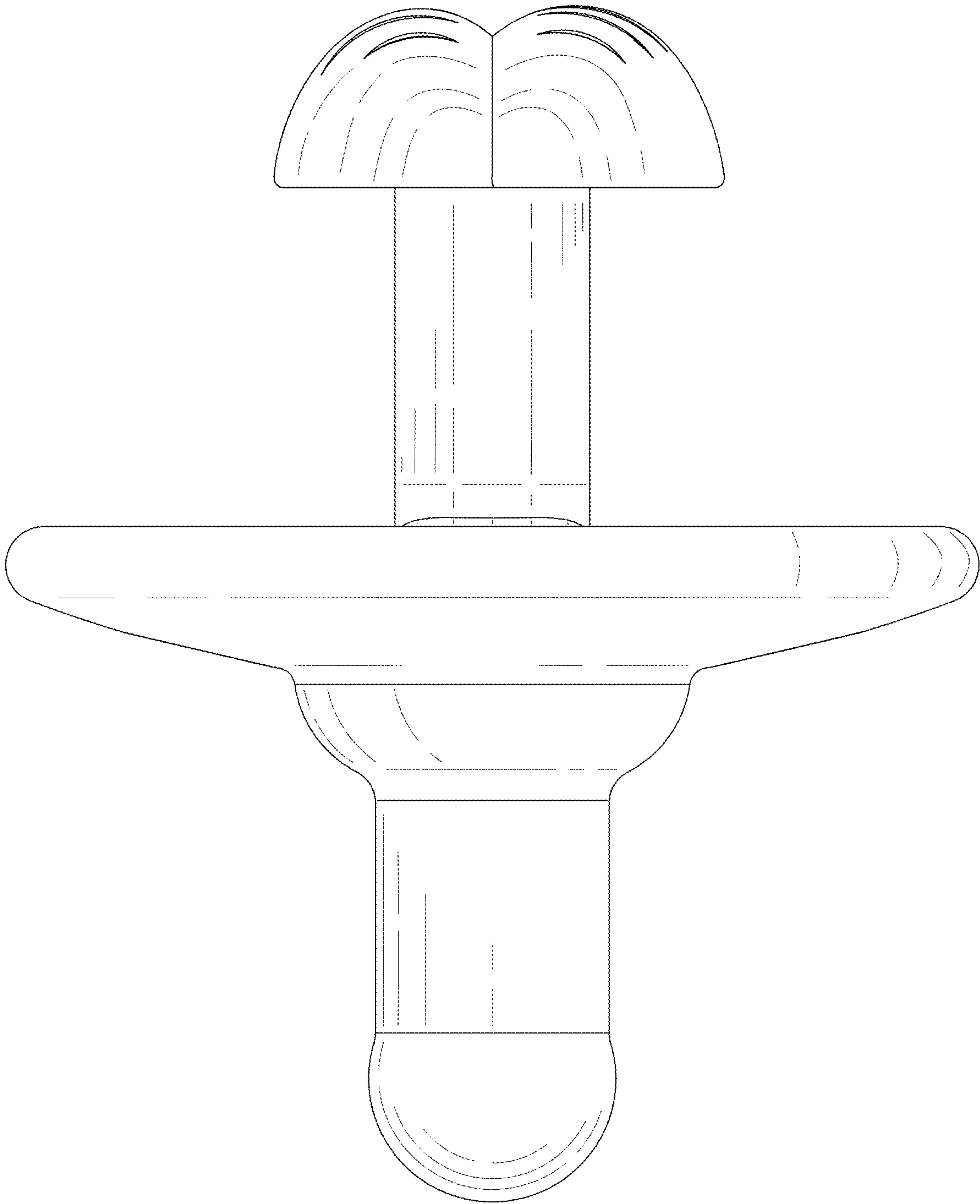


FIG. 5

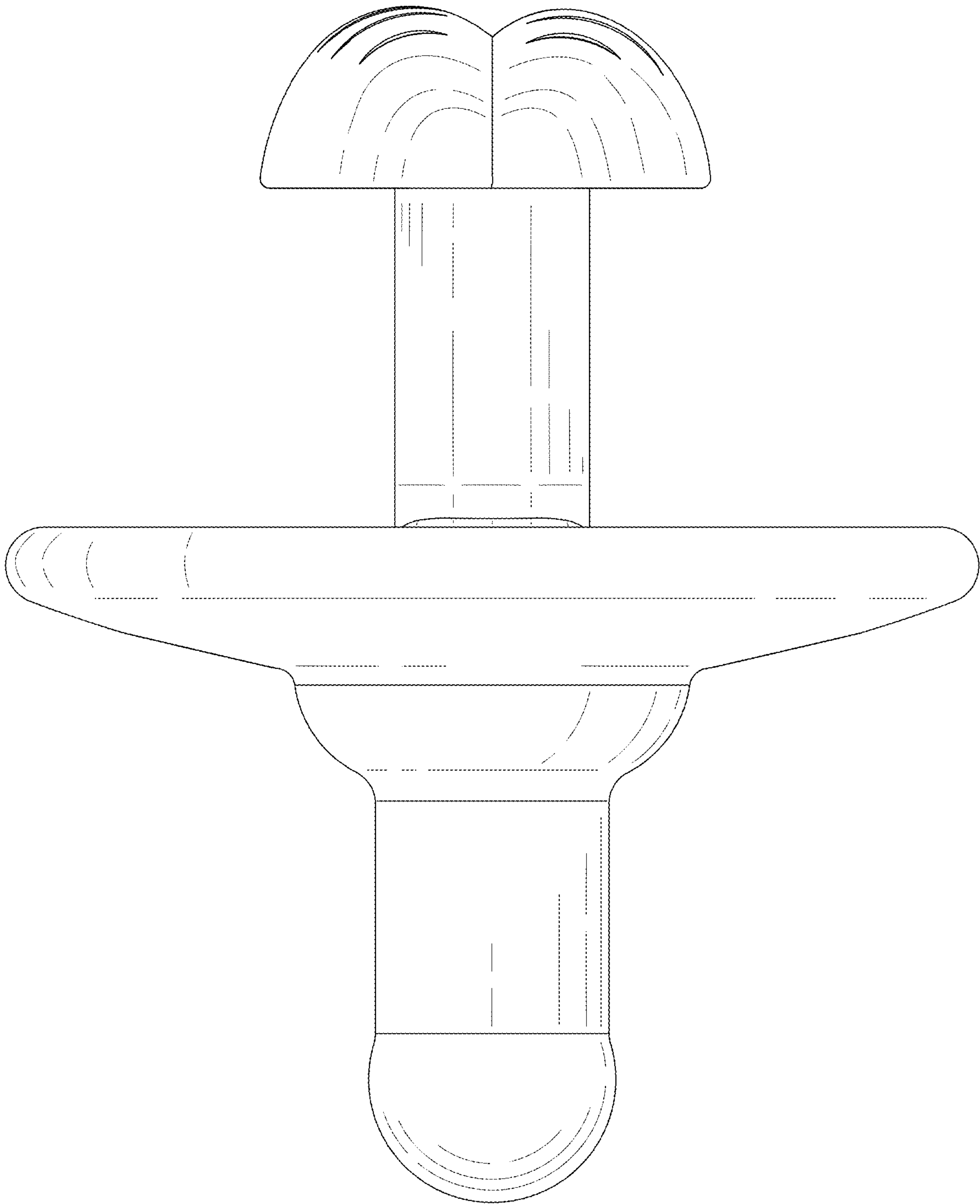


FIG. 6

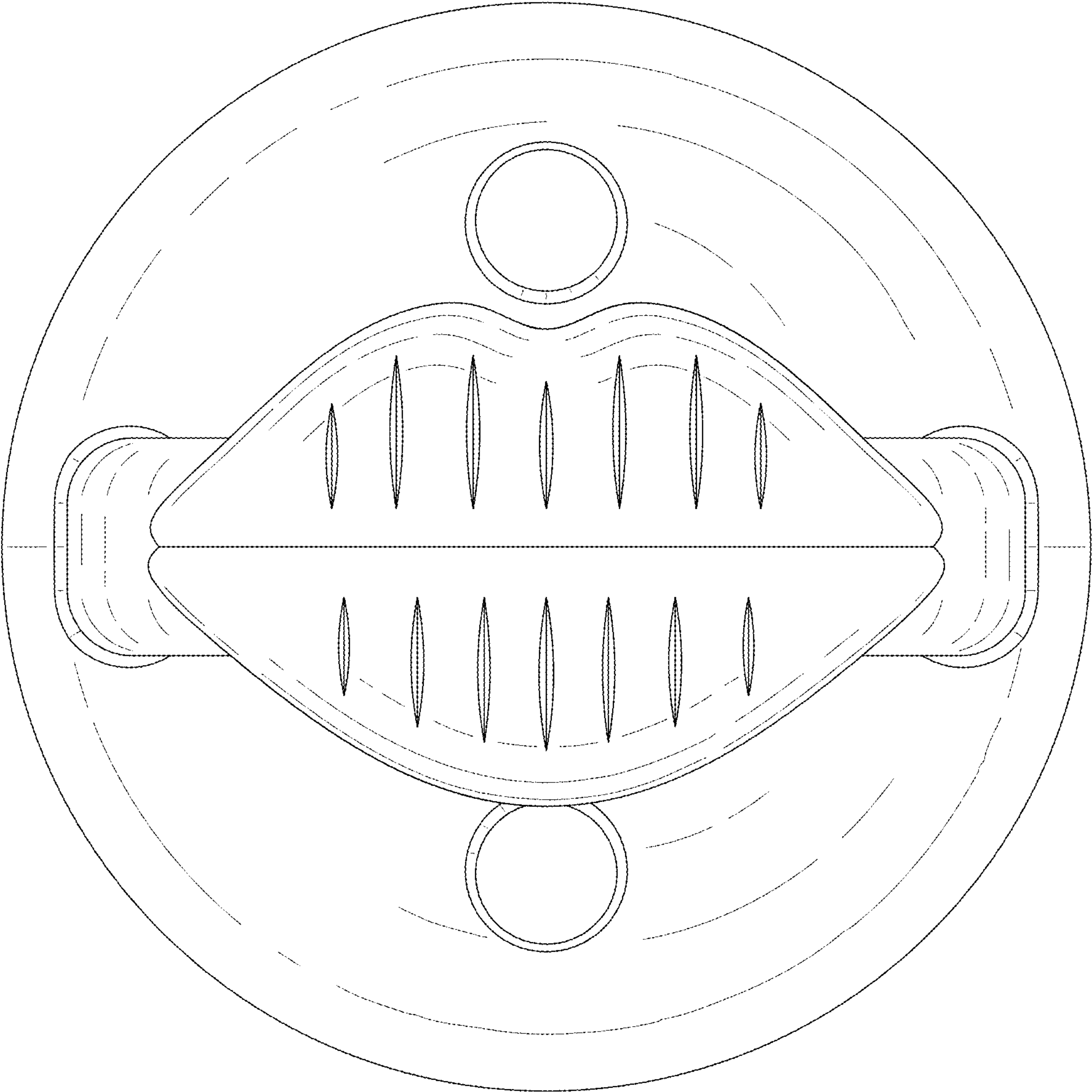


FIG. 7

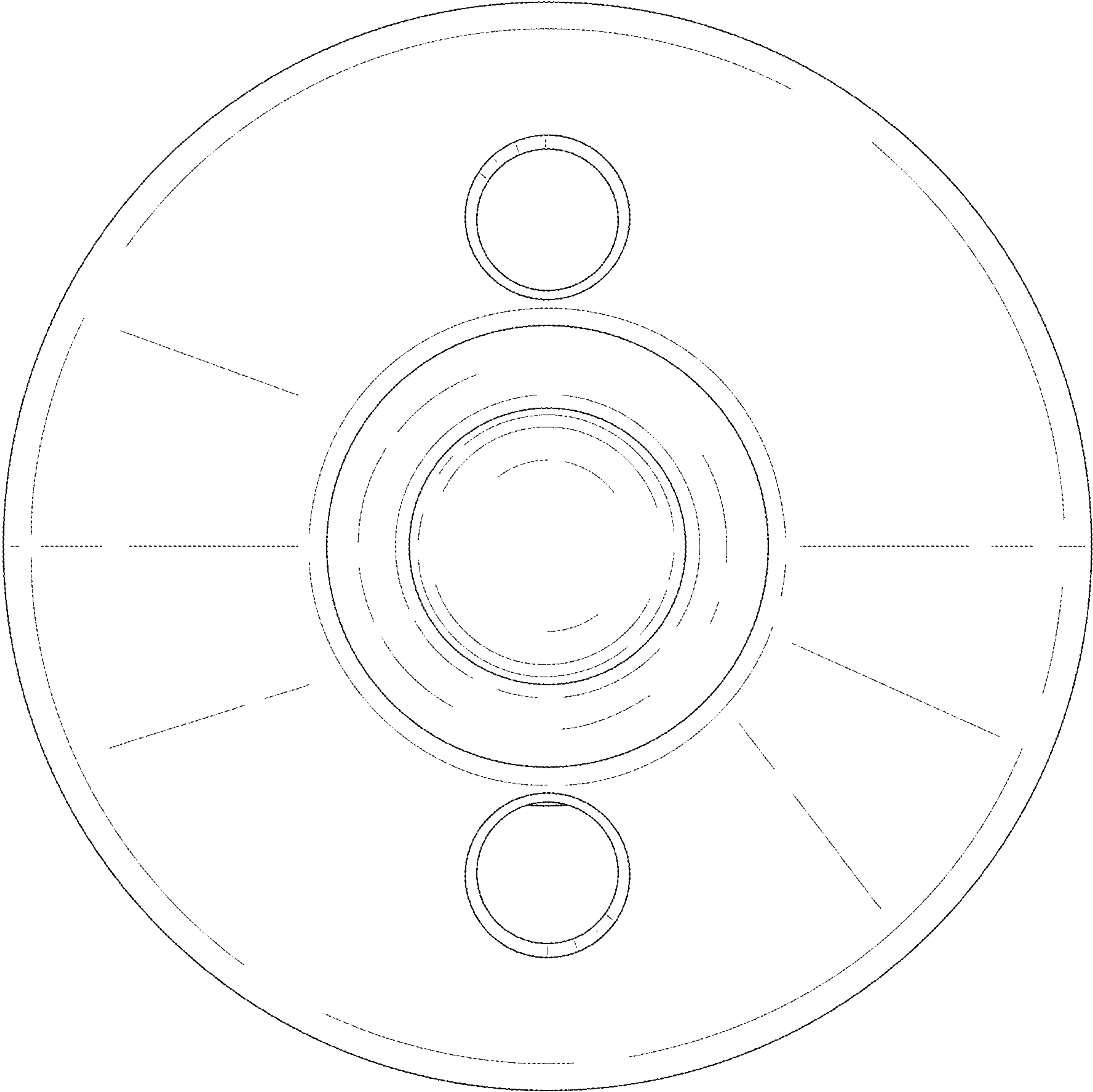


FIG. 8