



US00D971416S

(12) **United States Design Patent** (10) **Patent No.:** **US D971,416 S**
Choate et al. (45) **Date of Patent:** **** Nov. 29, 2022**

(54) **OVERLAY FOR DRUG DELIVERY DEVICE**

5,244,459 A 9/1993 Hill
D352,782 S * 11/1994 Kirk, III D24/189
D362,912 S * 10/1995 Albert D24/189

(71) Applicant: **Insulet Corporation**, Acton, MA (US)

(Continued)

(72) Inventors: **Bryan Choate**, Salem, MA (US);
Amanda Callaghan, Hopkinton, MA
(US); **Bryan Dillon**, Jefferson, MA
(US); **David Clare**, Georgetown, MA
(US)

FOREIGN PATENT DOCUMENTS

EP 3135965 A1 3/2017
EP 3000497 B1 1/2020

(Continued)

(73) Assignee: **INSULET CORPORATION**, Acton,
MA (US)

OTHER PUBLICATIONS

(**) Term: **15 Years**

Legacy Med Search, Insulet Enrolls First Patients in Clinical Trial for Omnipod, Sep. 15, 2016. Viewed by Examiner May 16, 2022, available at URL: <https://legacymedsearch.com/insulet-enrolls-first-patients-in-clinical-trial-for-omnipod-artificial-pancreas-system/>.*

(Continued)

(21) Appl. No.: **29/738,222**

(22) Filed: **Jun. 16, 2020**

Related U.S. Application Data

Primary Examiner — Jennifer L Watkins

(63) Continuation of application No. 15/172,336, filed on
Jun. 3, 2016, now abandoned.

(74) *Attorney, Agent, or Firm* — Goodwin Procter LLP

(51) **LOC (13) Cl.** **24-02**

(57) **CLAIM**

(52) **U.S. Cl.**
USPC **D24/189**; D24/112; D24/128

The ornamental design for an overlay for drug delivery device, as shown and described.

(58) **Field of Classification Search**
USPC D24/108, 111–113, 189, 128
CPC A61F 13/0253; A61F 13/023; Y10T
428/24314; Y10T 428/24306; Y10T
428/24298; Y10T 428/24322
See application file for complete search history.

DESCRIPTION

FIG. 1 is a perspective view of the overlay for a drug delivery device showing our new design; FIG. 2 is a top view of the design of FIG. 1; FIG. 3 is a bottom view of the design of FIG. 1; FIG. 4 is a first side view of the design of FIG. 1; FIG. 5 is a second side view of the design of FIG. 1; FIG. 6 is a first end view of the design of FIG. 1; FIG. 7 is a second end view of the design of FIG. 1; and, FIG. 8 is a perspective exploded view of the design of FIG. 1.

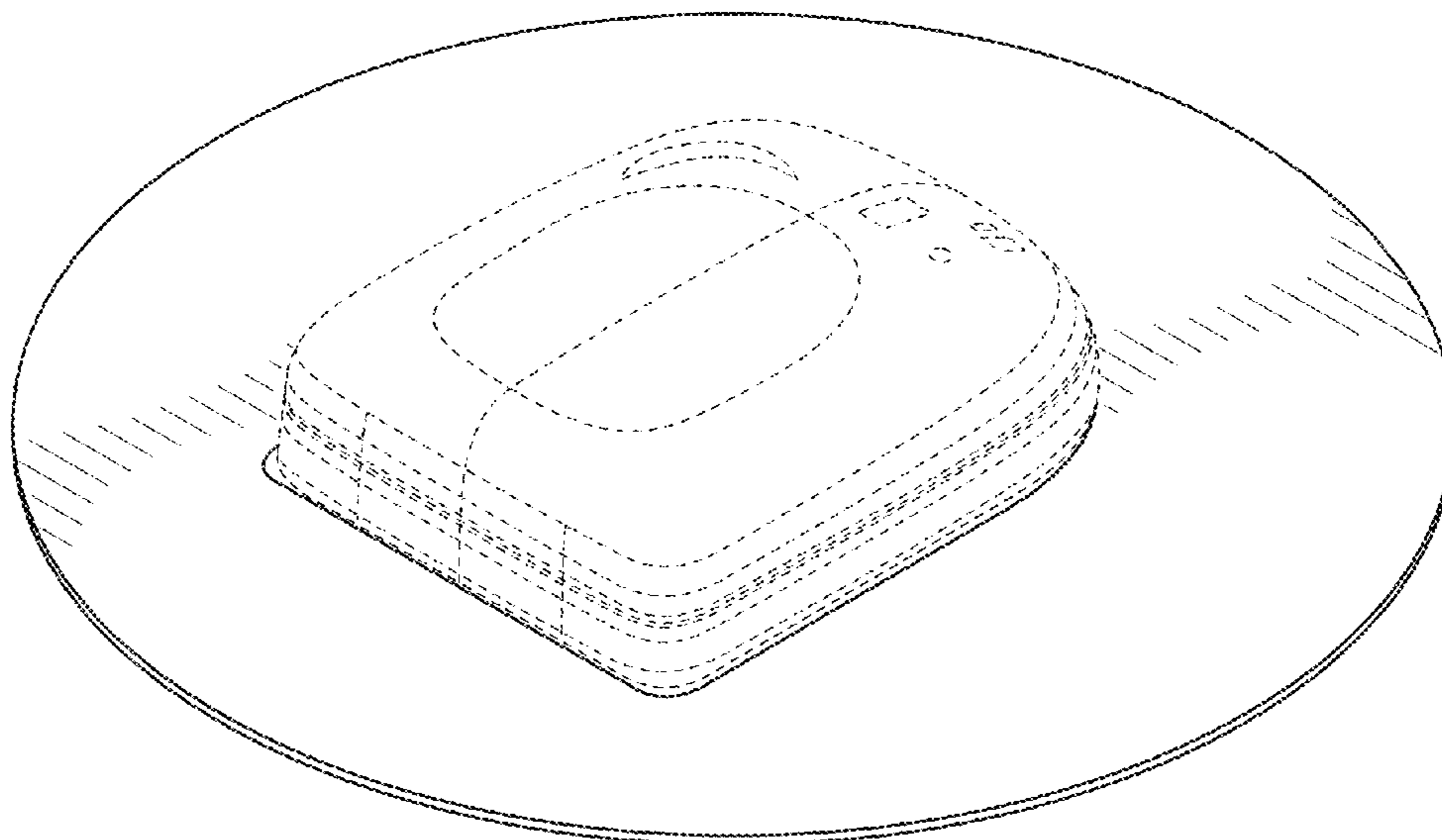
The broken lines in the drawings showing portions of the drug delivery device and form no part of the claimed design.

(56) **References Cited**

U.S. PATENT DOCUMENTS

1,441,508 A 1/1923 Marius et al.
2,987,214 A * 6/1961 Radack H01R 13/447
220/242
3,579,805 A 5/1971 Kast
D281,528 S * 11/1985 Peery D24/113
4,833,088 A 5/1989 Desimone et al.
5,232,668 A 8/1993 Grant et al.

1 Claim, 6 Drawing Sheets



(56)

References Cited

U.S. PATENT DOCUMENTS

D372,097 S *	7/1996	Albert	D24/189	D805,186 S	12/2017	Costello et al.
D372,098 S *	7/1996	Lattin	D24/189	D805,187 S	12/2017	Costello et al.
D384,745 S *	10/1997	Lattin	D24/189	D805,188 S	12/2017	Costello et al.
D403,774 S *	1/1999	Laughlin	D24/189	D805,189 S	12/2017	Costello et al.
D408,920 S *	4/1999	Dunshee	D24/189	D805,190 S	12/2017	Costello et al.
5,995,236 A	11/1999	Roth et al.			D807,389 S	1/2018	Miller et al.
6,142,181 A	11/2000	Schumacher			D810,122 S	2/2018	McClellan
6,200,293 B1	3/2001	Kriesel et al.			D810,278 S	2/2018	Cabiri et al.
6,418,332 B1	7/2002	Mastrototaro et al.			D813,380 S	3/2018	Stonecipher et al.
6,514,460 B1	2/2003	Fendrock			D816,092 S	4/2018	Mazur et al.
6,740,059 B2	5/2004	Flaherty			D816,698 S	5/2018	Oldenburger et al.
6,768,425 B2	7/2004	Flaherty et al.			D817,481 S	5/2018	Cabiri et al.
7,137,964 B2	11/2006	Flaherty			D817,977 S	5/2018	Kato et al.
D539,424 S *	3/2007	Persson	D24/128	D822,692 S	7/2018	Loychik et al.
7,303,549 B2	12/2007	Flaherty et al.			D824,933 S	8/2018	Harris et al.
D588,274 S *	3/2009	Dent	D24/189	D826,239 S	8/2018	Duriseti et al.
7,731,900 B2	6/2010	Haar et al.			D826,956 S	8/2018	Pillalamarri et al.
D619,245 S *	7/2010	Moga	D24/113	D829,229 S	9/2018	Durkan et al.
7,842,241 B2	11/2010	Arbogast et al.			RE47,100 E *	10/2018	Smith D24/189
7,846,385 B2	12/2010	Arbogast et al.			D830,407 S	10/2018	Kisielius et al.
7,846,386 B2	12/2010	Arbogast et al.			D831,034 S	10/2018	Hoang et al.
7,846,387 B2	12/2010	Arbogast et al.			D833,461 S	11/2018	Dieken et al.
7,846,388 B2	12/2010	Arbogast et al.			D834,061 S	11/2018	Wall et al.
7,867,446 B2	1/2011	Arbogast et al.			D834,610 S	11/2018	Kim
7,897,107 B2	3/2011	Arbogast et al.			D835,116 S	12/2018	Taylor et al.
7,914,742 B2	3/2011	Arbogast et al.			D835,631 S	12/2018	Yepez et al.
D638,534 S *	5/2011	Moga	D24/113	D835,663 S	12/2018	Ho et al.
8,003,052 B2	8/2011	Sacherer			D836,770 S	12/2018	Nazzaro et al.
8,080,205 B2	12/2011	Arbogast et al.			D837,015 S *	1/2019	Tchakarov D8/70
D674,400 S	1/2013	Fong et al.			D837,240 S	1/2019	Van Tricht
D677,382 S *	3/2013	Foley	D24/114	D838,359 S	1/2019	Boyaval et al.
D677,675 S	3/2013	Rampson et al.			D838,840 S	1/2019	Cabiri et al.
8,431,408 B2	4/2013	Lewis et al.			D839,284 S	1/2019	Pillalamarri et al.
D685,083 S	6/2013	Schneider et al.			D840,420 S	2/2019	Chalker et al.
8,465,977 B2	6/2013	Joseph et al.			D840,421 S	2/2019	Chalker et al.
D687,141 S	7/2013	Schneider et al.			D840,531 S	2/2019	Guillermo et al.
D687,536 S	8/2013	Guarraia et al.			D841,023 S	2/2019	Millett
D688,681 S	8/2013	Talbot et al.			D844,652 S	4/2019	Edman
D692,552 S	10/2013	Lovell et al.			D845,991 S	4/2019	Kessler et al.
D703,690 S	4/2014	Maccubbin et al.			D847,154 S	4/2019	Cheney et al.
8,701,264 B2 *	4/2014	Martinson	F16B 43/00 29/525.01	D847,852 S	5/2019	Sapre
8,765,482 B2	7/2014	Joseph et al.			D848,460 S	5/2019	Wiese et al.
D713,854 S	9/2014	Conjuangco et al.			D849,767 S	5/2019	Mok et al.
D714,335 S	9/2014	Conjuangco et al.			D851,261 S *	6/2019	Ricks D24/189
8,894,262 B2	11/2014	Celentano et al.			D851,666 S	6/2019	Lu et al.
D733,740 S	7/2015	Lee et al.			D851,752 S	6/2019	Nazzaro et al.
D741,871 S	10/2015	Chung et al.			D851,940 S *	6/2019	Weber D4/137
D745,142 S	12/2015	OConnor et al.			D853,416 S	7/2019	Ryan et al.
D748,664 S	2/2016	Noack et al.			D853,426 S	7/2019	Alexander
D752,607 S	3/2016	Zhang et al.			D853,427 S	7/2019	Alexander
D754,181 S	4/2016	Dong et al.			D854,559 S	7/2019	Dudey
D760,272 S	6/2016	Li			D856,506 S	8/2019	Wu et al.
D762,702 S	8/2016	Hoang et al.			D877,893 S *	3/2020	Stonecipher D24/112
D764,507 S	8/2016	Gansca et al.			10,661,012 B2	5/2020	Nazzaro et al.
D766,264 S	9/2016	Kahn et al.			D895,787 S *	9/2020	Pratt D24/108
D768,188 S	10/2016	Li et al.			2004/0116847 A1	6/2004	Wall
D772,410 S *	11/2016	Huelskamp	D24/189	2005/0009126 A1	1/2005	Andrews et al.
D774,640 S	12/2016	Tyce et al.			2005/0125162 A1	6/2005	Hajizadeh et al.
D776,262 S	1/2017	Tyce et al.			2005/0201897 A1	9/2005	Zimmer et al.
D776,264 S	1/2017	Tyce et al.			2005/0232815 A1	10/2005	Ruhl et al.
D776,265 S	1/2017	Tyce et al.			2005/0238507 A1	10/2005	Diianni et al.
D776,802 S *	1/2017	Loew	D24/108	2005/0277164 A1	12/2005	Drucker et al.
D779,523 S	2/2017	Jensen et al.			2009/0254041 A1	10/2009	Krag et al.
D779,526 S	2/2017	Volovik			2009/0282947 A1	11/2009	Powell
9,572,926 B2	2/2017	Cabiri			2010/0152658 A1	6/2010	Hanson et al.
D781,302 S	3/2017	Baguley et al.			2010/0168683 A1	7/2010	Cabiri
D784,395 S	4/2017	Laing et al.			2010/0317951 A1	12/2010	Rutkowski et al.
D791,813 S	7/2017	Kisielius et al.			2011/0071765 A1	3/2011	Yodfat et al.
D794,776 S	8/2017	Tyce et al.			2011/0193704 A1	8/2011	Harper et al.
D795,272 S	8/2017	Laing et al.			2011/0218495 A1	9/2011	Remde
D802,011 S	11/2017	Friedman et al.			2011/0289497 A1	11/2011	Kiaie et al.
D804,019 S	11/2017	Costello et al.			2012/0095316 A1	4/2012	Lewis et al.
9,814,832 B2	11/2017	Agard et al.			2012/0201048 A1	8/2012	Prais
D804,650 S	12/2017	Costello et al.			2013/0204130 A1	8/2013	McArthur et al.
					2014/0012119 A1	1/2014	Geaghan et al.
					2014/0054883 A1	2/2014	Lanigan et al.
					2014/0074033 A1	3/2014	Sonderegger et al.
					2014/0078263 A1	3/2014	Kim
					2014/0131199 A1	5/2014	Simmons et al.

(56)

References Cited

U.S. PATENT DOCUMENTS

2014/0148784 A1 5/2014 Anderson et al.
 2014/0254170 A1 9/2014 Celentano et al.
 2014/0296787 A1 10/2014 Agard et al.
 2014/0316379 A1 10/2014 Sonderegger et al.
 2015/0283335 A1 10/2015 Lin
 2015/0338349 A1 11/2015 Carter et al.
 2015/0361154 A1 12/2015 Jowett et al.
 2015/0366945 A1 12/2015 Greene
 2016/0015891 A1 1/2016 Papiorek
 2016/0038689 A1 2/2016 Lee et al.
 2016/0058941 A1 3/2016 Wu et al.
 2016/0135747 A1 5/2016 Frey et al.
 2016/0310665 A1 10/2016 Hwang et al.
 2017/0028132 A1 2/2017 Cronenberg et al.
 2017/0106138 A1 4/2017 Cabiri
 2017/0189270 A1* 7/2017 Nazzaro A61M 5/1782
 2017/0234858 A1 8/2017 Depa et al.
 2017/0348479 A1* 12/2017 Choate A61M 5/14248
 2017/0354785 A1 12/2017 Gazeley et al.
 2018/0015274 A1 1/2018 Haury et al.
 2018/0075200 A1 3/2018 Davis et al.
 2018/0207357 A1 7/2018 John
 2018/0236173 A1 8/2018 Mccaffrey et al.
 2018/0256815 A1 9/2018 Nazzaro
 2018/0307515 A1 10/2018 Meller et al.
 2019/0022317 A1 1/2019 Uddin et al.
 2019/0091404 A1 3/2019 Nazzaro et al.
 2019/0132801 A1 5/2019 Kamath et al.
 2019/0167895 A1 6/2019 Dechelle et al.
 2019/0240417 A1 8/2019 Hostettler et al.
 2019/0321545 A1 10/2019 Saint
 2020/0197605 A1 6/2020 Haidar
 2020/0261643 A1 8/2020 Boyaval et al.

FOREIGN PATENT DOCUMENTS

FR 2096275 A5 2/1972
 GB 357139 A 9/1931
 GB 810488 A 3/1959
 JP 2009523535 A 6/2009
 JP 2019525276 A 9/2019
 WO 2007084214 A1 7/2007
 WO 2007092618 A3 8/2007
 WO 2019195521 A1 10/2019
 WO 2019213493 A1 11/2019
 WO 2019246381 A1 12/2019
 WO 2021011738 A1 1/2021

OTHER PUBLICATIONS

International Preliminary Report on Patentability for the International Patent Application No. PCT/US2019/042160, dated Jan. 28, 2021, 12 pages.
 International Search Report and Written Opinion for the International Patent Application No. PCT/US2021/047695, dated Jan. 31, 2022, 26 pages.
 International Search Report and Written Opinion for the International Patent Application No. PCT/US21/064056, dated Apr. 4, 2022, 12 pages.
 Anonymous: "AndroidAPS Componentoverview", AndroidAPS documentation, Nov. 12, 2020 (Nov. 12, 2020), pp. 1-7, Retrieved from the Internet: URL:<https://github.com/openaps/AndroidAPSdocs/blob/199ef86a900adf4b3d9c32f605eb11047bd3d62f/docs/EN/Module/module.rst> [retrieved on Apr. 11, 2022] the whole document.
 International Search Report and Written Opinion for the International Patent Application No. PCT/US22/018700, dated Jun. 7, 2022, 13 pages.

* cited by examiner

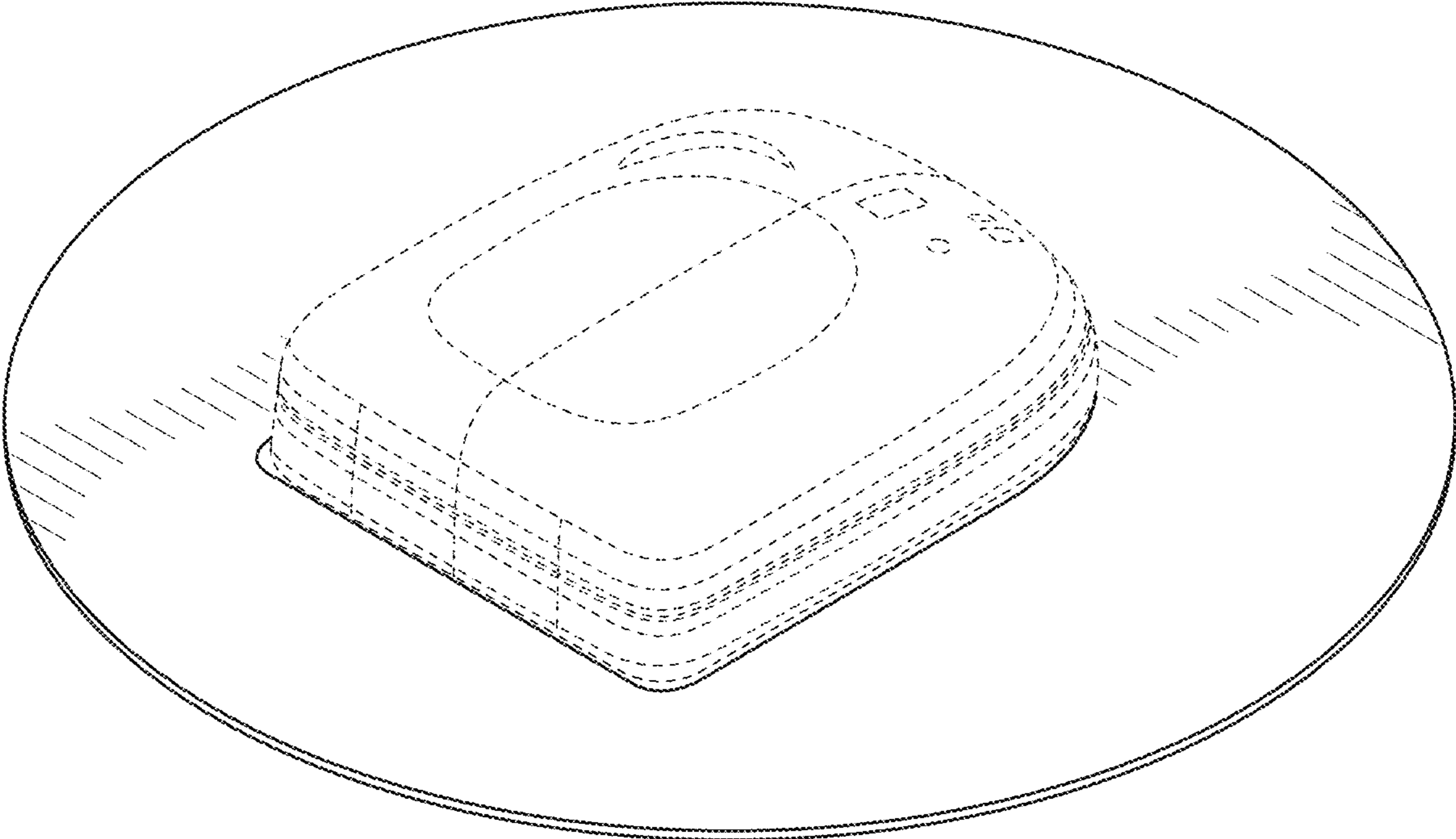


FIG. 1

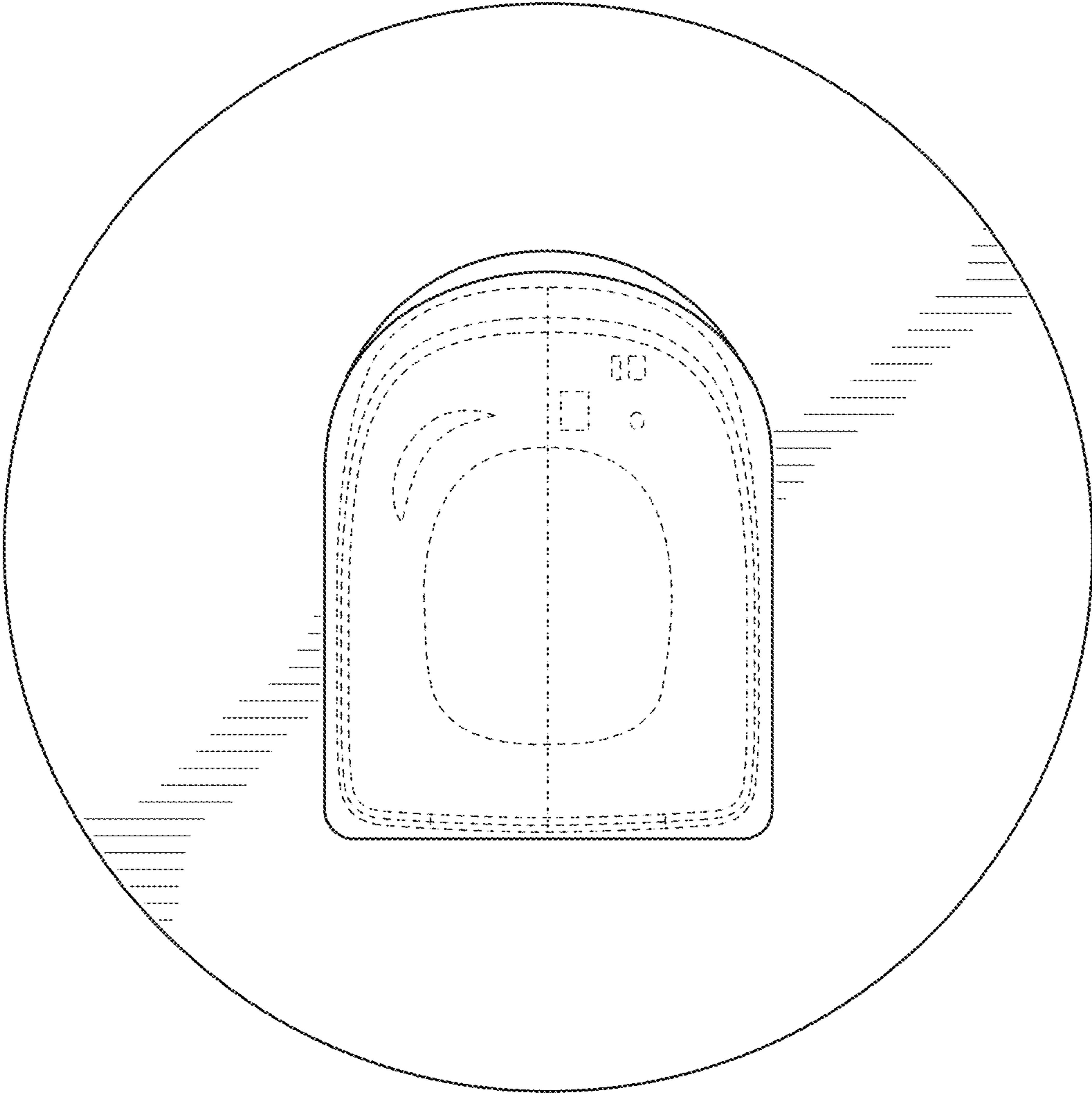


FIG. 2

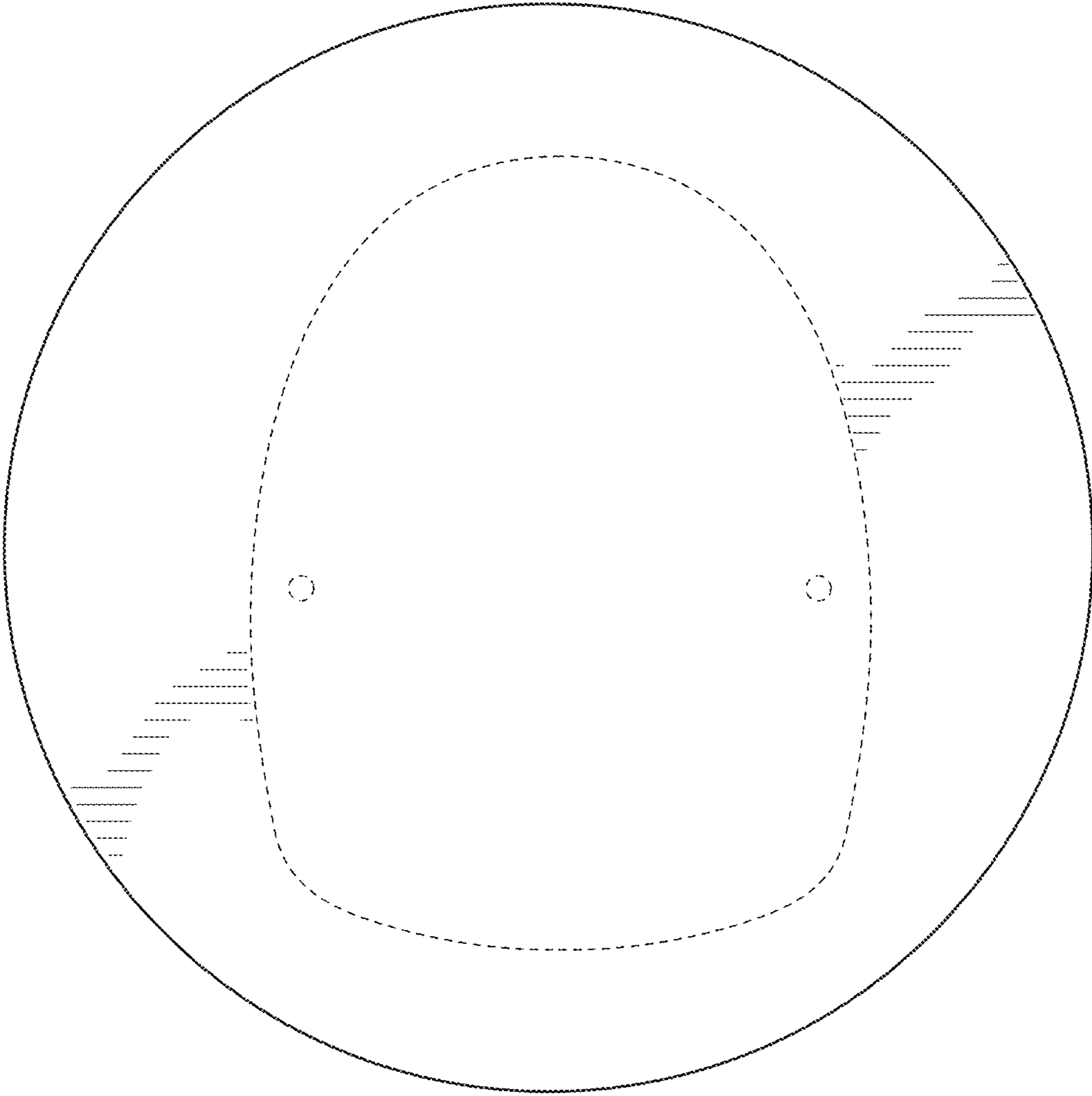


FIG. 3

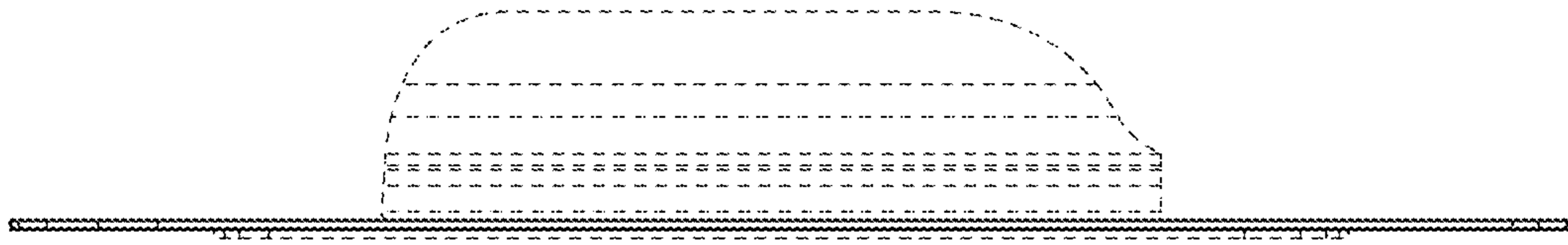


FIG. 4

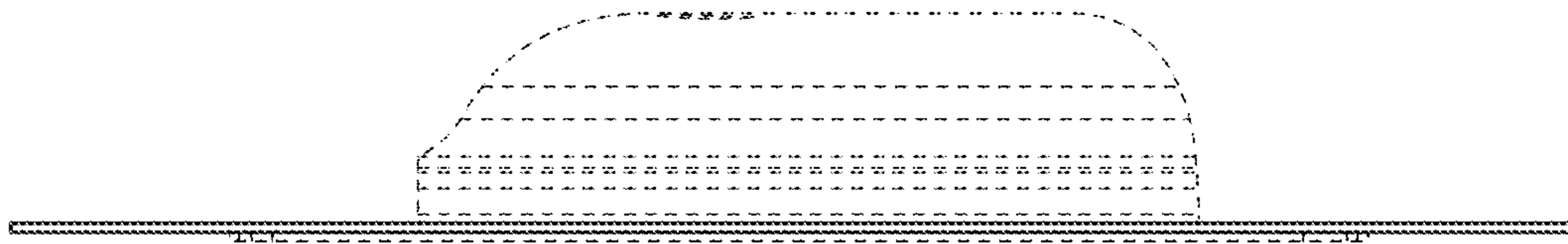


FIG. 5

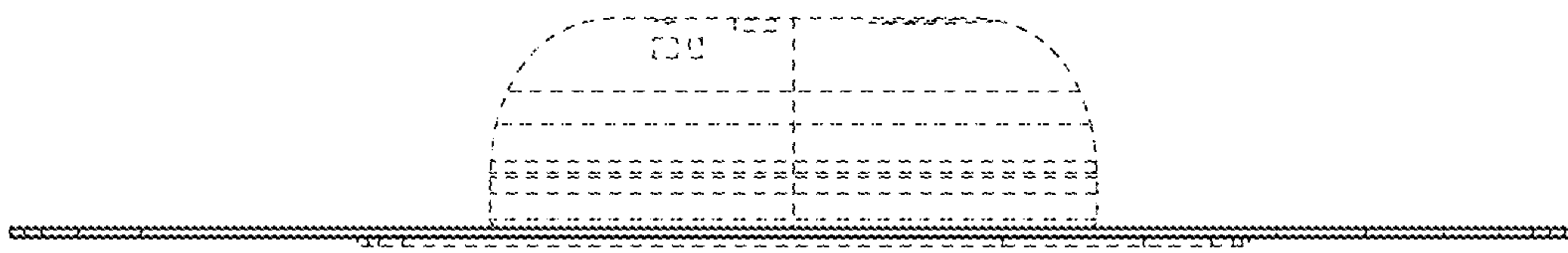


FIG. 6

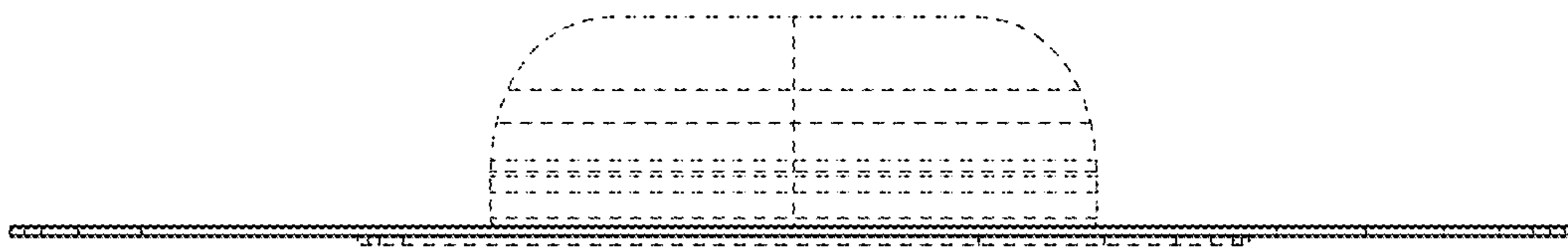


FIG. 7

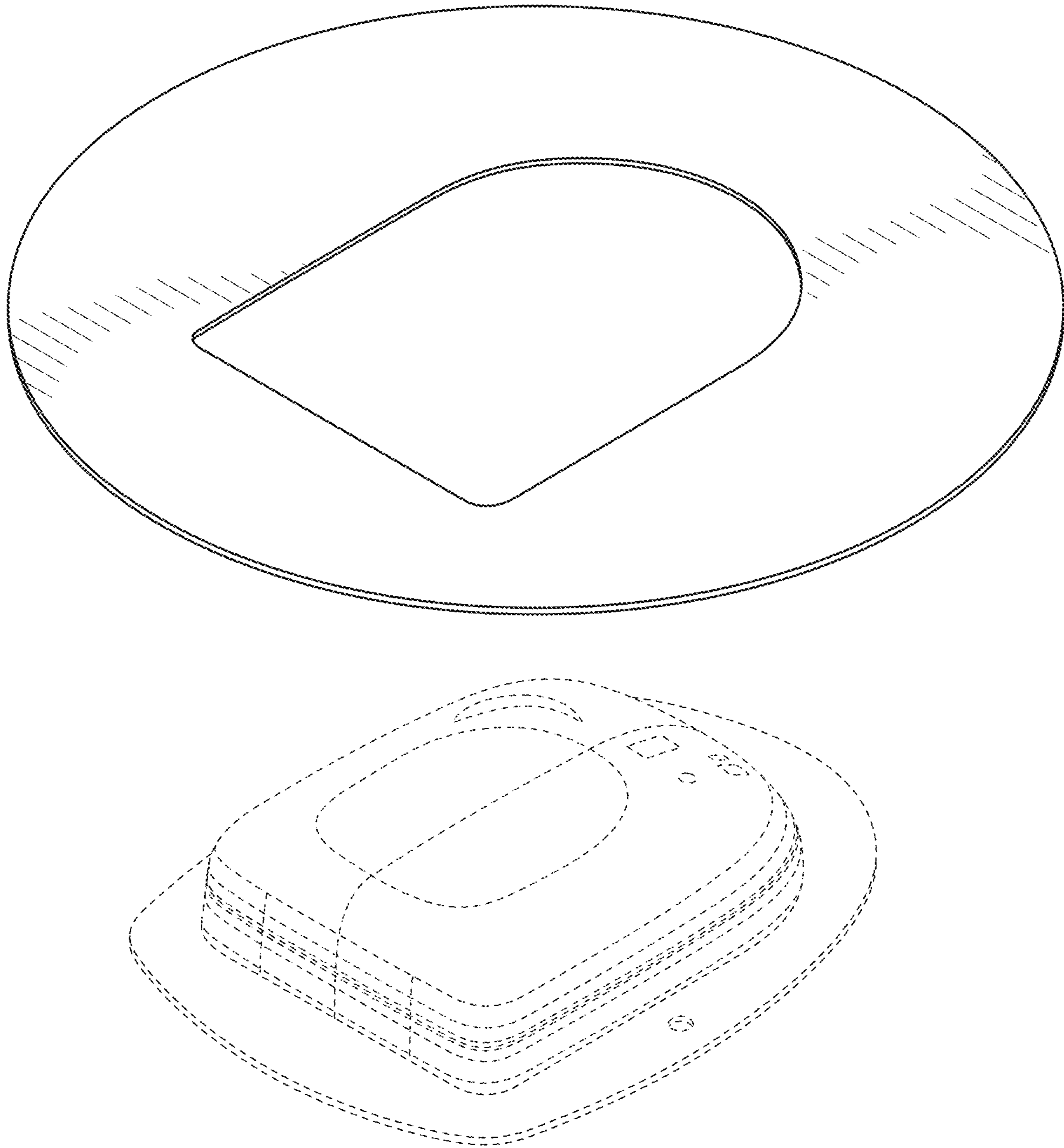


FIG. 8