



US00D971414S

(12) **United States Design Patent** (10) **Patent No.:** **US D971,414 S**
Tamsiran et al. (45) **Date of Patent:** **** Nov. 29, 2022**

(54) **HEARING AID**
(71) Applicant: **Sonova AG**, Stafa (CH)
(72) Inventors: **Rafael Tamsiran**, Amersfoort (NL);
Ming-Lun Dave Ma, Markham (CA);
Ara Talaslian, Cambridge (CA); **Mark Schmidt**, Breslau (CA)
(73) Assignee: **Sonova AG**, Staefa (CH)
(**) Term: **15 Years**

D860,973 S * 9/2019 Ko D14/223
D864,919 S * 10/2019 Bonahoom D14/223
D876,399 S * 2/2020 Duddy D14/223
D881,163 S * 4/2020 Duddy D14/223
D894,868 S * 9/2020 Warden D14/206
D897,995 S * 10/2020 Duddy D14/223
D904,349 S * 12/2020 Saxton D14/223
D920,290 S * 5/2021 Schaal D14/223
D938,574 S * 12/2021 Guo D24/106
D939,686 S * 12/2021 Guo D24/106
D945,403 S * 3/2022 MacDonald D14/223
2002/0057817 A1* 5/2002 Darbut H04R 25/405
381/361

(21) Appl. No.: **35/511,574**
(22) Filed: **Jan. 31, 2021**
(80) **Hague Agreement Data**
Int. Filing Date: **Jan. 31, 2021**
Int. Reg. No.: **DM/213103**
Int. Reg. Date: **Jan. 31, 2021**
Int. Reg. Pub. Date: **Mar. 19, 2021**

(51) **LOC (13) Cl.** **24-99**
(52) **U.S. Cl.**
USPC **D24/174**
(58) **Field of Classification Search**
USPC D14/188, 192, 205, 206, 223; D24/105,
D24/106, 173, 174; D28/9, 99
CPC A61F 11/00; A61F 11/08; A61F 11/10;
A61F 11/085
See application file for complete search history.

(56) **References Cited**
U.S. PATENT DOCUMENTS
4,830,139 A * 5/1989 Cirillo H04R 25/604
381/328
D405,528 S * 2/1999 Shennib D24/174
D559,837 S * 1/2008 Nakano D14/223
D788,079 S * 5/2017 Son D14/223
D822,009 S * 7/2018 Matoba D14/223
D828,823 S * 9/2018 Lin D14/223

OTHER PUBLICATIONS

3D Metal Printing Magazine. 3D-Printed Hearing Aid Almost Invisible When Worn. Oct. 29, 2018. <https://www.3dmpmag.com/article/?/applications/medical/3d-printed-hearing-aid-almost-invisible-when-worn> (Year: 2018).*

(Continued)

Primary Examiner — Darcey E Gottschalk
(74) *Attorney, Agent, or Firm* — ALG Intellectual Property, LLC

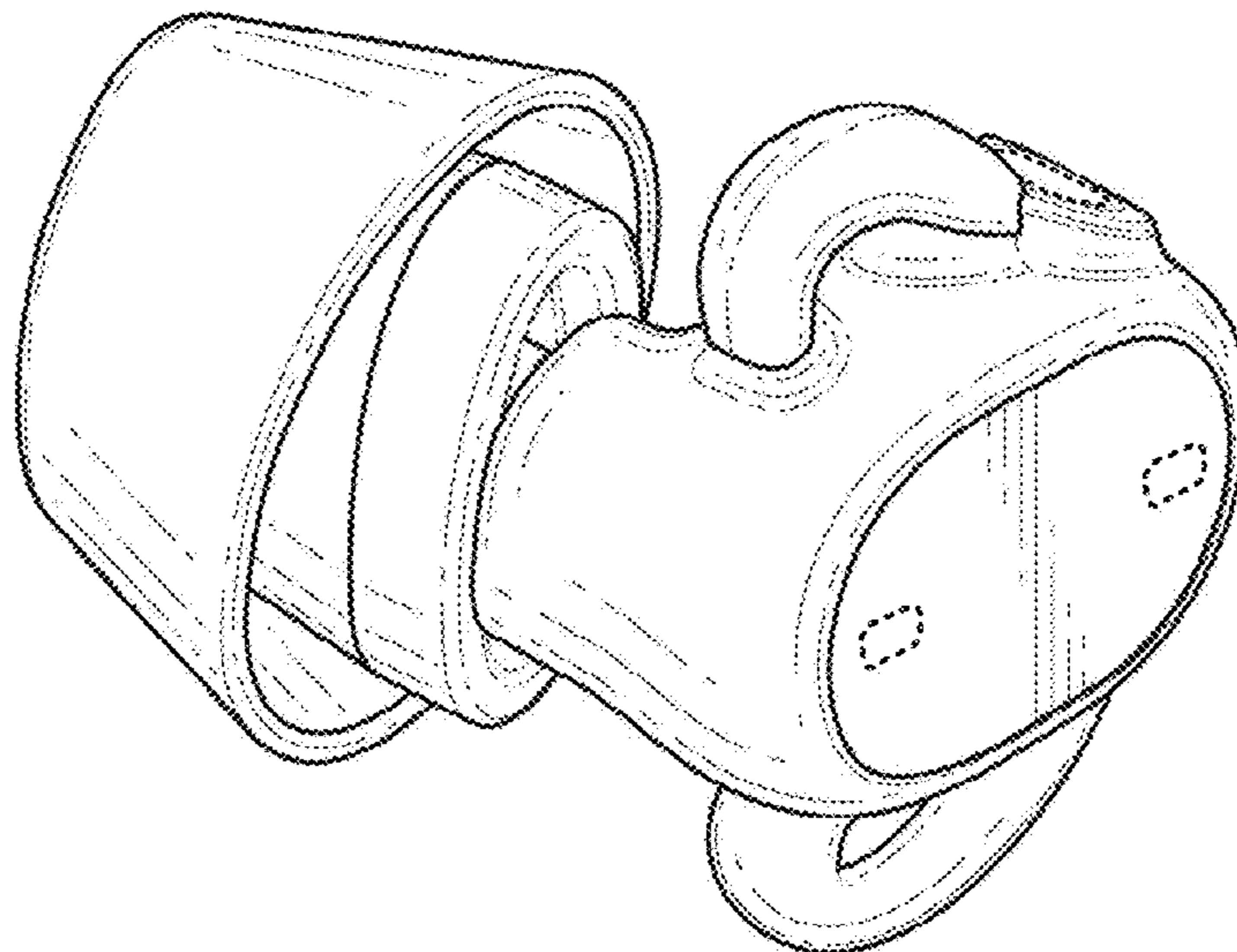
(57) **CLAIM**

The ornamental design for a hearing aid, as shown and described.

DESCRIPTION

1. Hearing Aid
1.1 : Perspective
1.2 : Top
1.3 : Bottom
1.4 : Right
1.5 : Left
1.6 : Front
1.7 : Back
The broken lines depict portions of the hearing aid that form no part of the claim.

1 Claim, 7 Drawing Sheets



(56)

References Cited

OTHER PUBLICATIONS

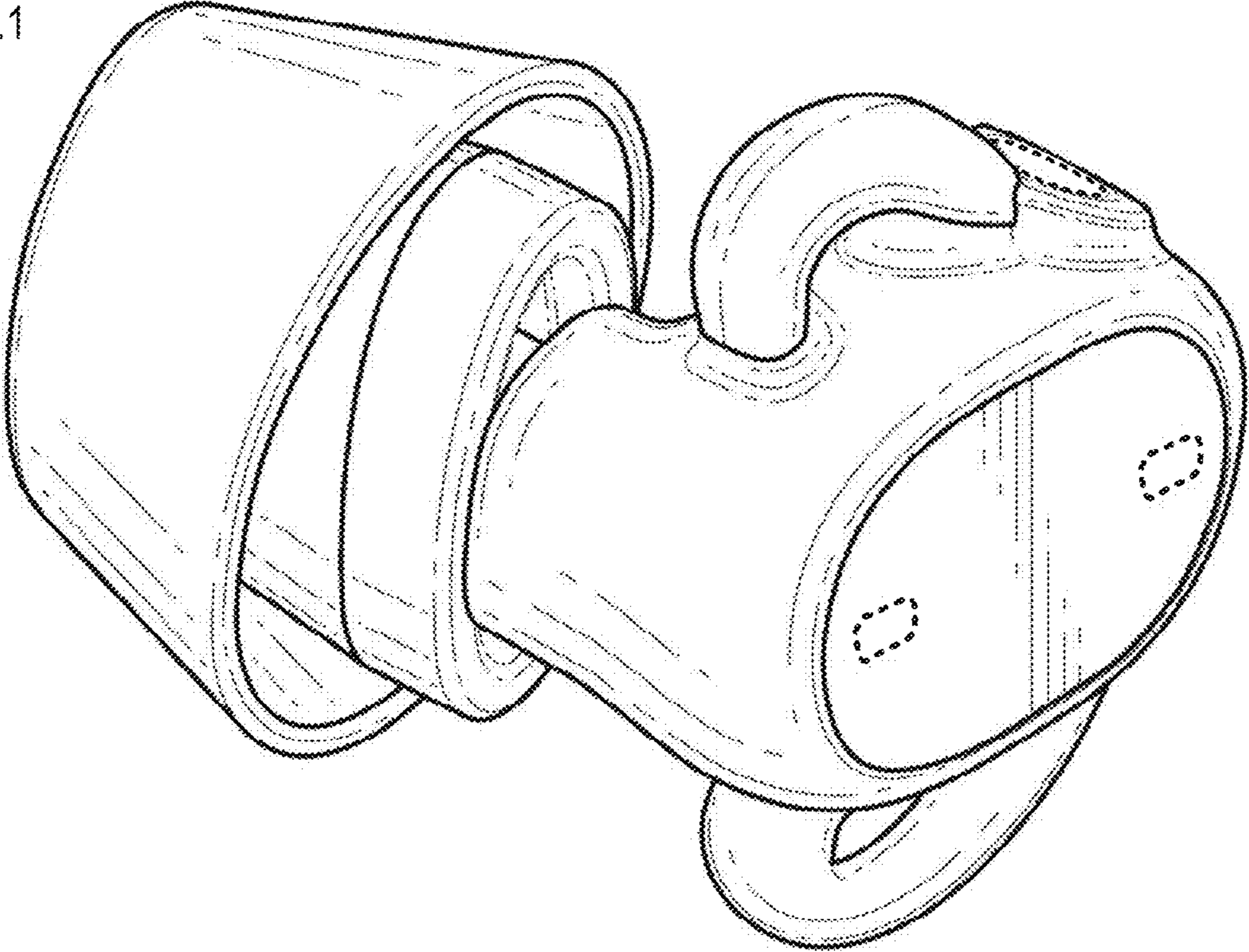
The Guardian. Best true wireless earbuds 2020: AirPods, Samsung, Jabra, Bose, Beats and Anker compared and ranked. May 1, 2019. <https://www.theguardian.com/technology/2019/may/01/best-true-wireless-earbuds-airpods-samsung-jabra-sennheiser-anker-compared-and-ranked> (Year: 2019).*

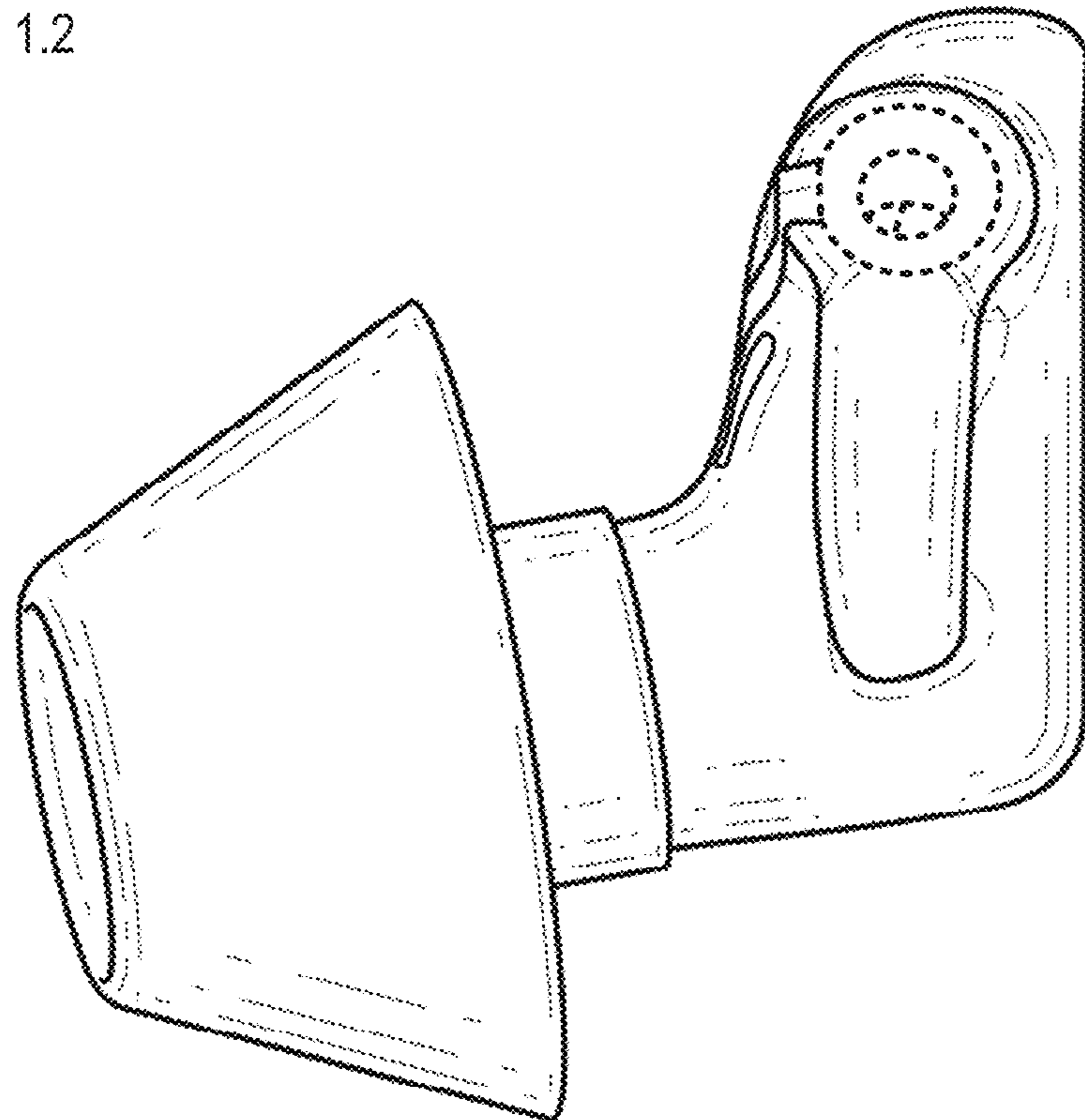
Tech Crunch. Our favorite wireless earbuds. Nov. 1, 2021. <https://tcm.ch/38Cbzum> (Year: 2021).*

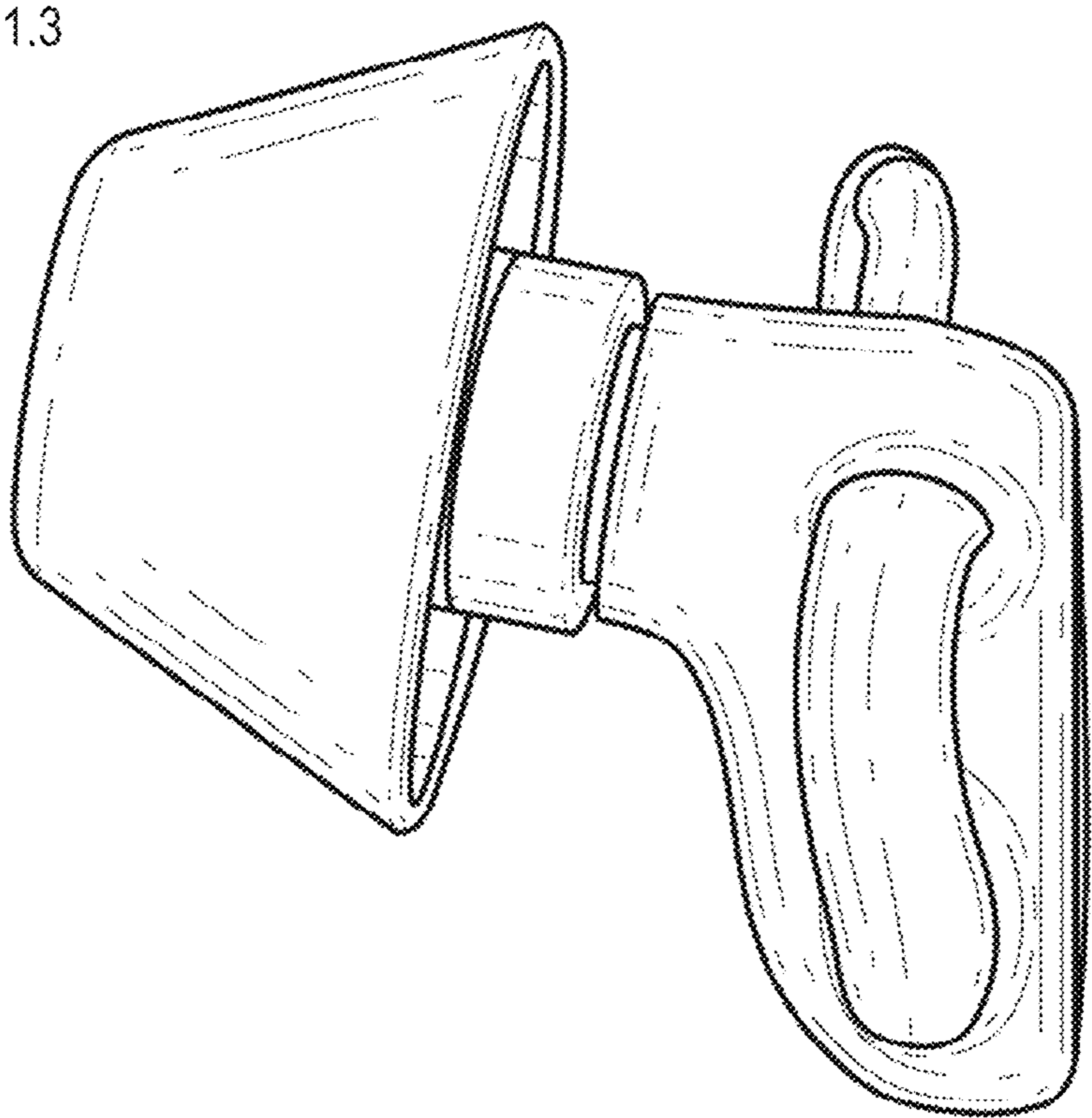
Digital Journal. Custom Hearing Aids Market 2022 to Witness Notable Growth with Covid-19 Analysis, Opportunities, and Future Scope Forecast to 2028: Sivantos Group, Sonova Holding AG, Starkey Hearing Technologies. Apr. 7, 2022. <https://bit.ly/3NWlZPf> (Year: 2022).*

* cited by examiner

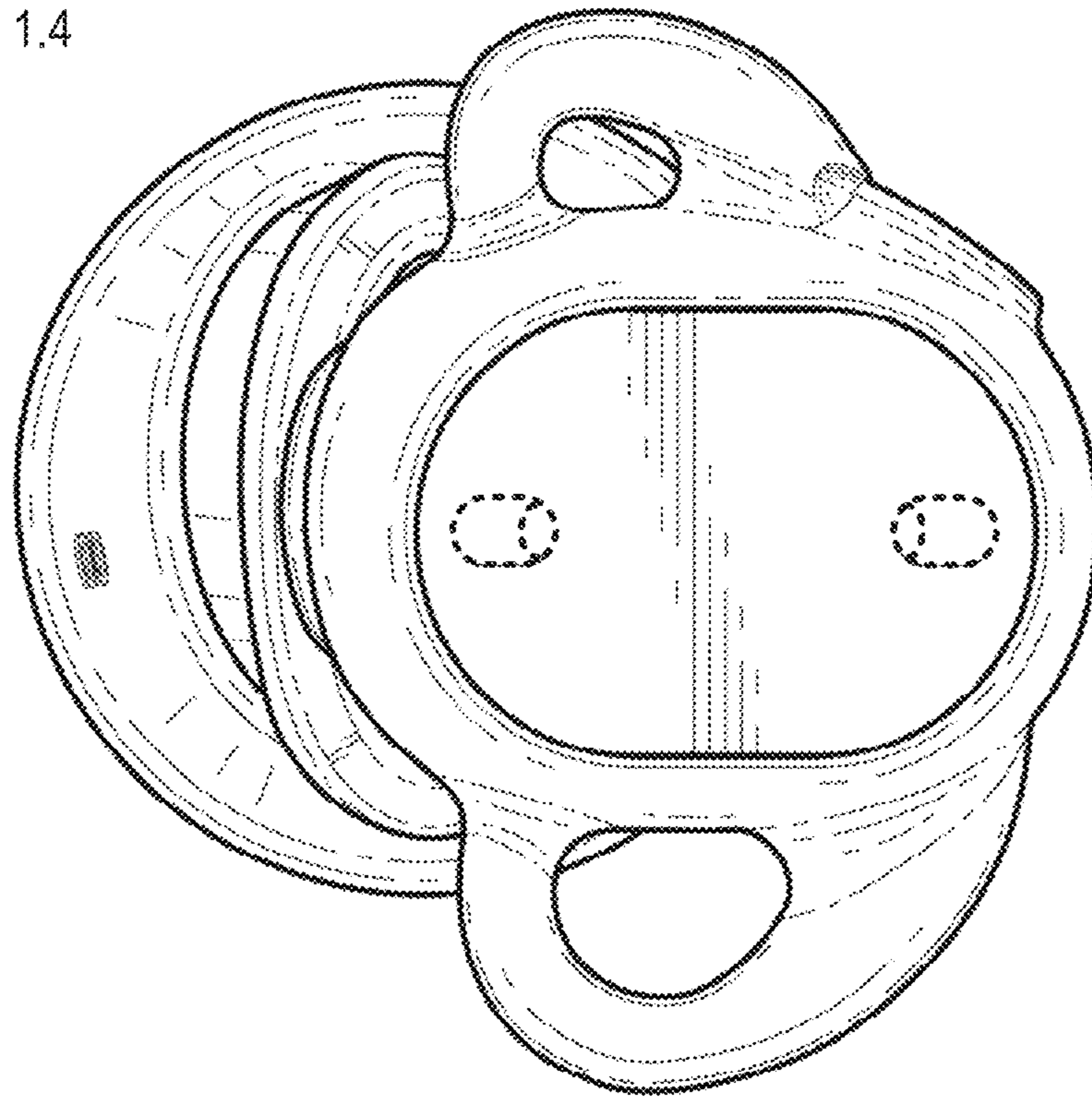
1.1

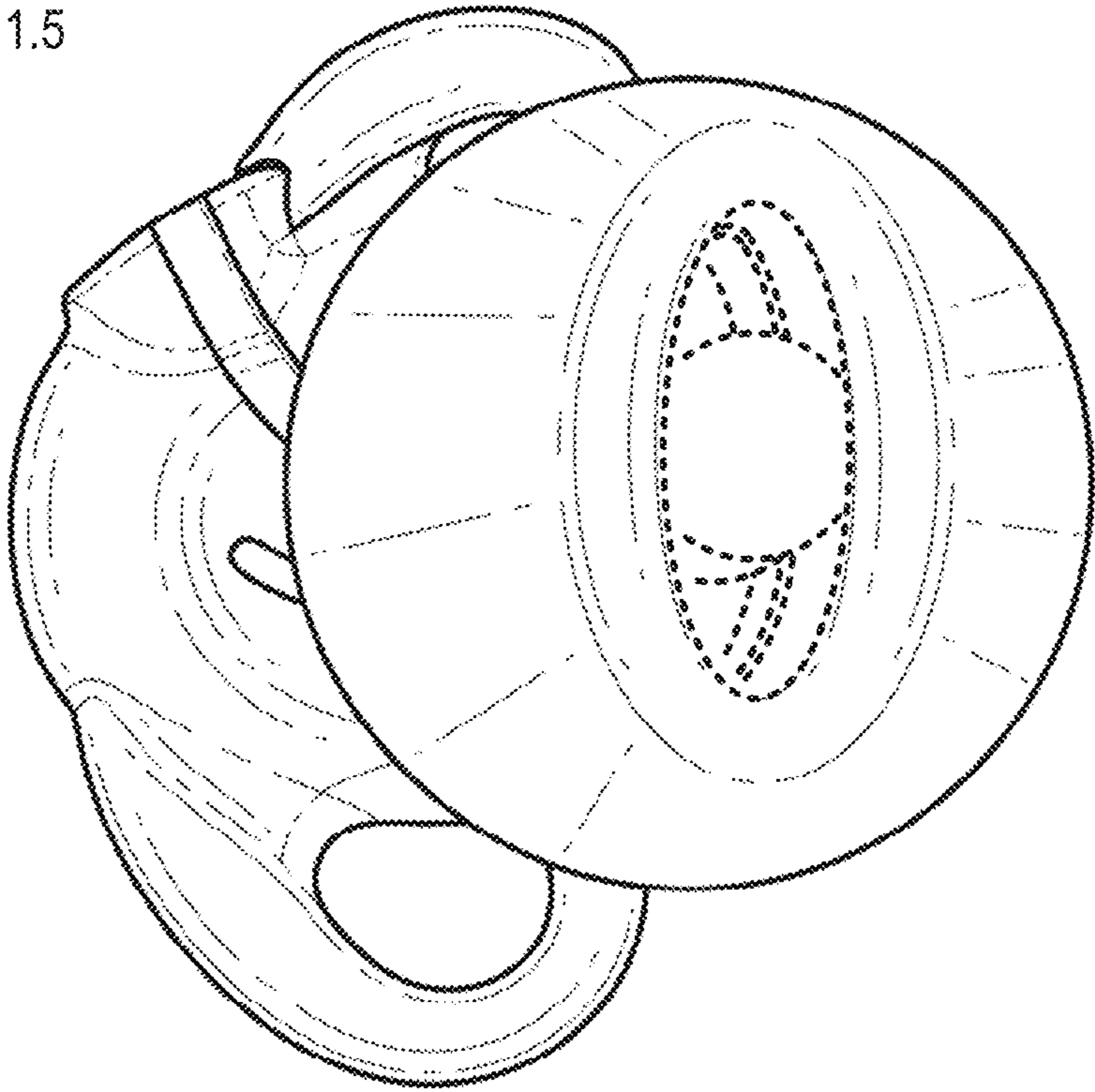






1.4





1.6

