



US00D971413S

(12) **United States Design Patent** (10) **Patent No.:** **US D971,413 S**
Tamsiran (45) **Date of Patent:** **** Nov. 29, 2022**

- (54) **HEARING AID**
- (71) Applicant: **Sonova AG**, Stäfa (CH)
- (72) Inventor: **Rafael Tamsiran**, Amersfoort (NL)
- (73) Assignee: **Sonova AG**, Staefa (CH)
- (**) Term: **15 Years**
- (21) Appl. No.: **35/511,545**
- (22) Filed: **Feb. 2, 2021**
- (80) **Hague Agreement Data**
 - Int. Filing Date: **Feb. 2, 2021**
 - Int. Reg. No.: **DM/213102**
 - Int. Reg. Date: **Feb. 2, 2021**
 - Int. Reg. Pub. Date: **Mar. 19, 2021**
- (51) **LOC (13) Cl.** **24-99**
- (52) **U.S. Cl.**
 - USPC **D24/174**
- (58) **Field of Classification Search**
 - USPC D14/188, 192, 205, 206, 223; D24/105, D24/106, 173, 174; D28/9, 99
 - CPC A61F 11/00; A61F 11/08; A61F 11/10; A61F 11/085

See application file for complete search history.

D932,022 S *	9/2021	Tamsiran	D24/174
D953,537 S *	5/2022	Tamsiran	D24/174
D958,372 S *	7/2022	Christiansen	D24/174

OTHER PUBLICATIONS

Facebook. Sonova. Jun. 29, 2018. <https://www.facebook.com/SonovaGlobal/photos/2040273976227246> (Year: 2018).*

Reuters. Sonova beats half-year earnings estimates, warns of supply chain issues by Bartosz Dabrowski. Nov. 15, 2021. <https://www.reuters.com/business/sonova-half-year-earnings-beat-expectations-post-pandemic-rebound-2021-11-15/> (Year: 2021).*

Digital Journal. Custom Hearing Aids Market 2022 to Witness Notable Growth with Covid-19 Analysis, Opportunities, and Future Scope Forecast to 2028: Sivantos Group, Sonova Holding AG, Starkey Hearing Technologies. Apr. 7, 2022. <https://bit.ly/3NWIZPf> (Year: 2022).*

Hearing Health Matters. Sonova Licenses CEVA's Bluetooth Technology for Latest SWORD 3.0 Wireless Hearing Aid Chip. Nov. 2018. <https://hearinghealthmatters.org/blog/2018/sonova-ceva-bluetooth-sword-chip-phonak-marvel/> (Year: 2018).*

* cited by examiner

Primary Examiner — Darcey E Gottschalk
 (74) *Attorney, Agent, or Firm* — ALG Intellectual Property, LLC

(57) **CLAIM**

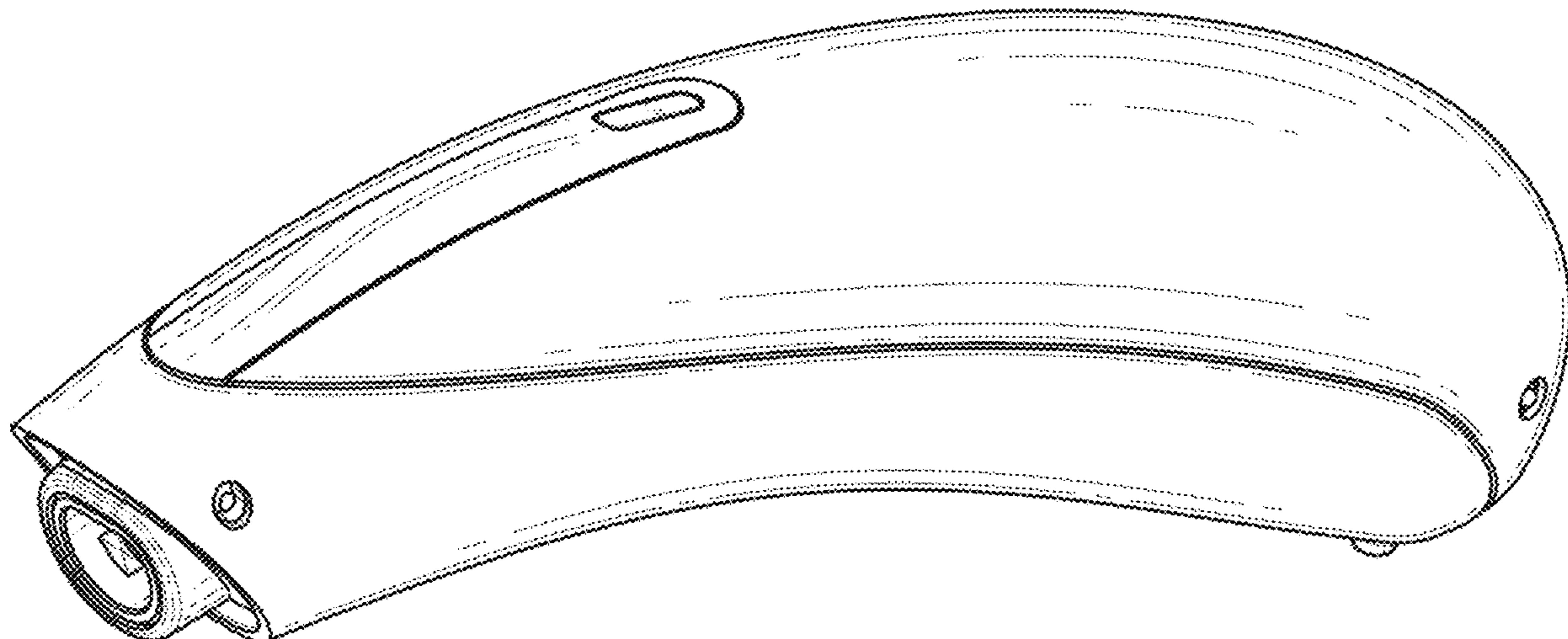
The ornamental design for a hearing aid, as shown and described.

DESCRIPTION

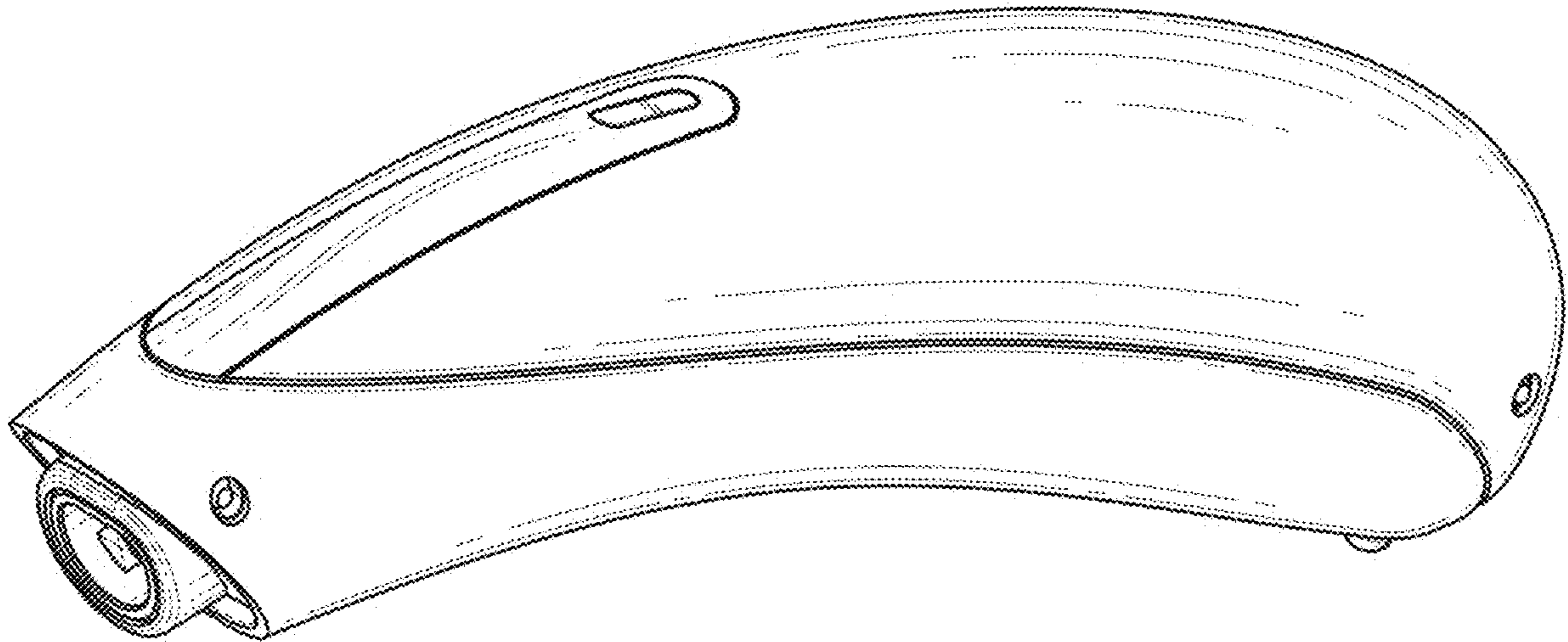
- 1. Hearing aid
- 1.1 : Perspective
- 1.2 : Top
- 1.3 : Bottom
- 1.4 : Right
- 1.5 : Left
- 1.6 : Front
- 1.7 : Back

1 Claim, 7 Drawing Sheets

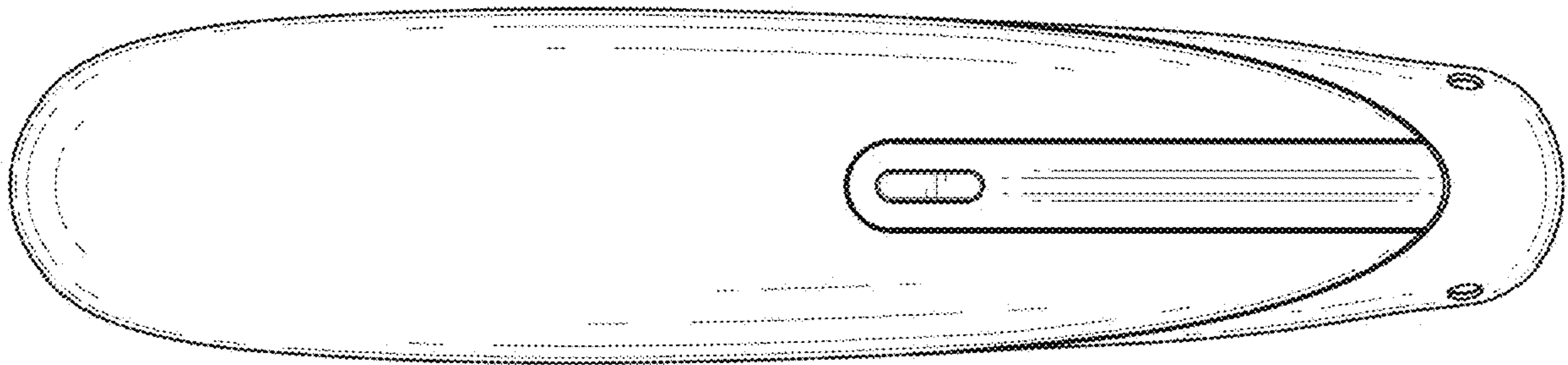
- (56) **References Cited**
 - U.S. PATENT DOCUMENTS**
 - D509,210 S * 9/2005 Skulley D14/206
 - D676,558 S * 2/2013 Meinertz D24/174
 - D676,969 S * 2/2013 Meinertz D24/174
 - D698,027 S * 1/2014 Olsen D24/174
 - D804,034 S * 11/2017 Gabathuler D24/174
 - D804,035 S * 11/2017 Gabathuler D24/174
 - D851,770 S * 6/2019 Christiansen D24/174
 - D852,363 S * 6/2019 Christiansen D24/174
 - D853,568 S * 7/2019 Christiansen D24/174
 - D861,171 S * 9/2019 Christiansen D24/174
 - D896,388 S * 9/2020 Shi D24/174



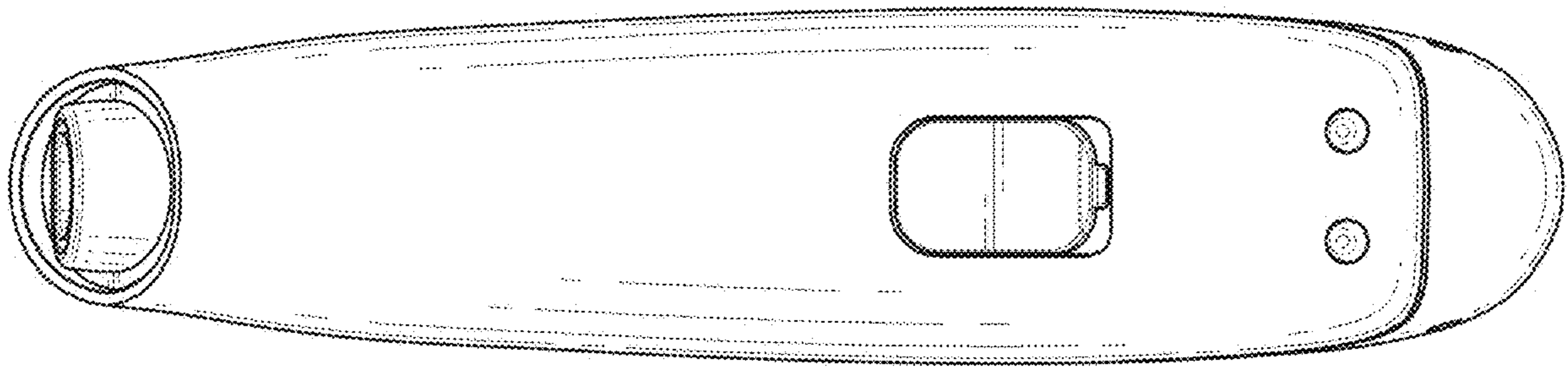
1.1



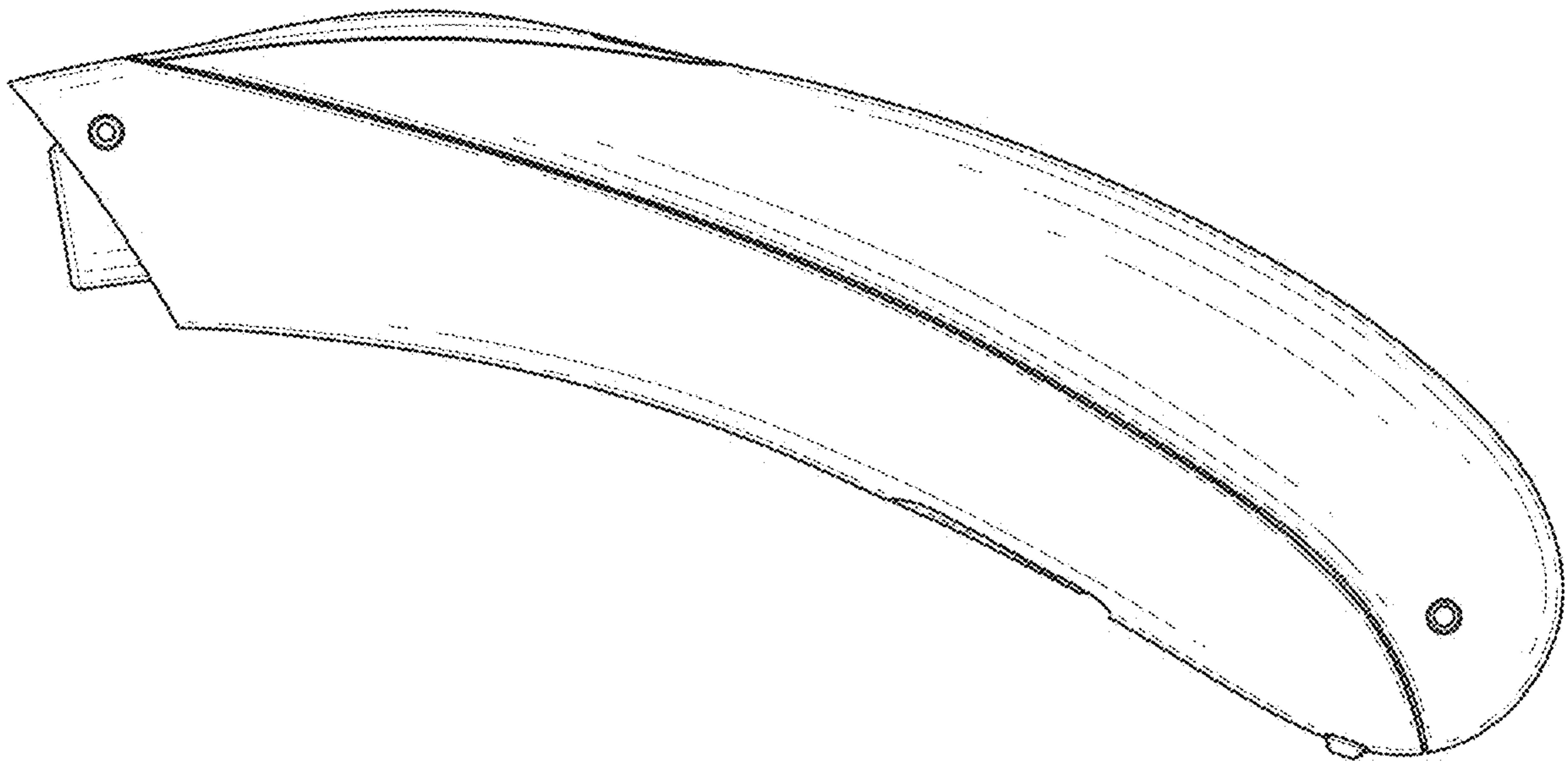
1.2



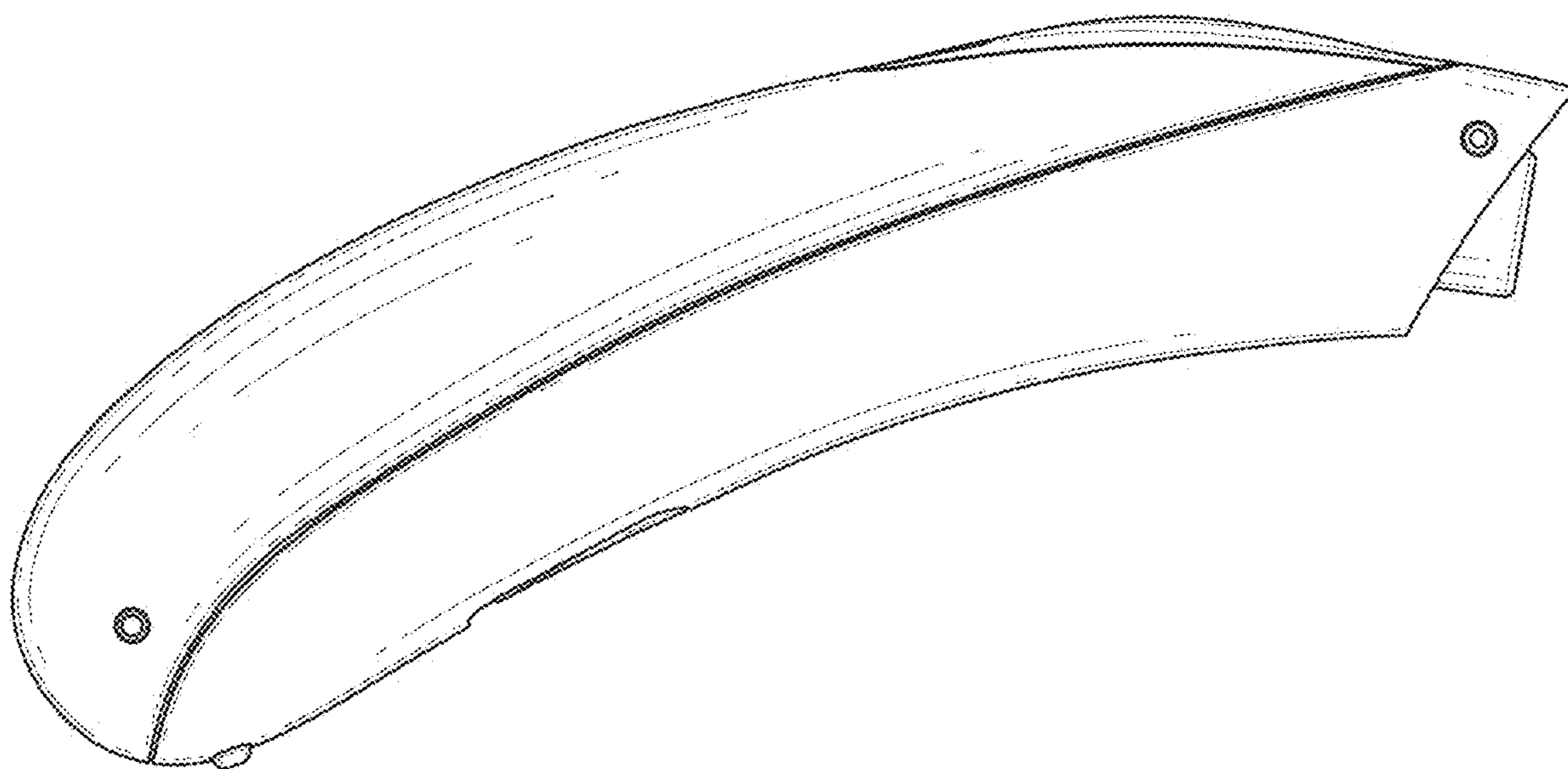
1.3



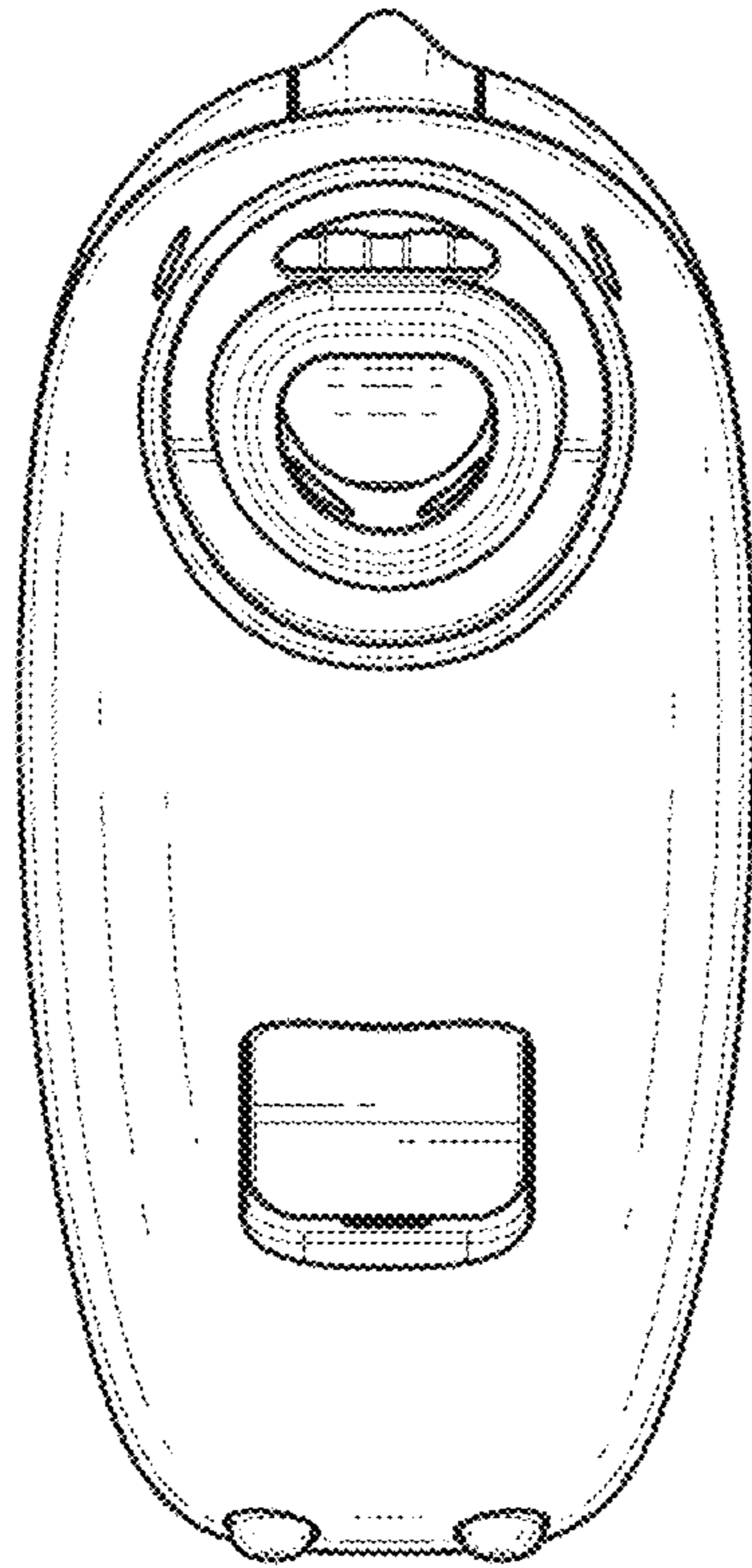
1.4



1.5



1.6



1.7

