



US00D971412S

(12) **United States Design Patent**
Gao

(10) **Patent No.:** **US D971,412 S**

(45) **Date of Patent:** **** Nov. 29, 2022**

(54) **OXIMETER**

(71) Applicant: **Shenzhen AOJ Medical Technology Co., Ltd**, Guangdong (CN)

(72) Inventor: **Yongjie Gao**, Shenzhen (CN)

(73) Assignee: **Shenzhen AOJ Medical Technology Co., Ltd.**

(**) Term: **15 Years**

(21) Appl. No.: **29/780,683**

(22) Filed: **Apr. 26, 2021**

(51) **LOC (13) Cl.** **24-02**

(52) **U.S. Cl.**
USPC **D24/167**; D24/169

(58) **Field of Classification Search**
USPC D24/164, 165, 167, 168, 169, 186, 187,
D24/107

CPC A61B 5/0205; A61B 5/02405; A61B
5/02427; A61B 5/02438; A61B 5/0245;
A61B 5/14551; A61B 5/6814; A61B
5/6815; A61B 5/6819; A61B 5/6823;
A61B 5/6824; A61B 5/6825; A61B
5/6626; A61B 5/6831; A61B 5/6832;
A61B 5/6638

See application file for complete search history.

(56) **References Cited**

U.S. PATENT DOCUMENTS

D646,391 S * 10/2011 Ibuki D24/165
D877,339 S * 3/2020 Xian D24/165

D893,727 S * 8/2020 Zhao D24/165
D894,399 S * 8/2020 Wei D24/169
D917,699 S * 4/2021 Lim D24/169
D925,742 S * 7/2021 Zhang D24/165
D942,629 S * 2/2022 Satow D24/169
2013/0096405 A1* 4/2013 Garfio A61B 5/6826
600/340

FOREIGN PATENT DOCUMENTS

CN 202030032641.1 * 6/2020
GB 6110212 * 12/2020

* cited by examiner

Primary Examiner — Anhdao Doan

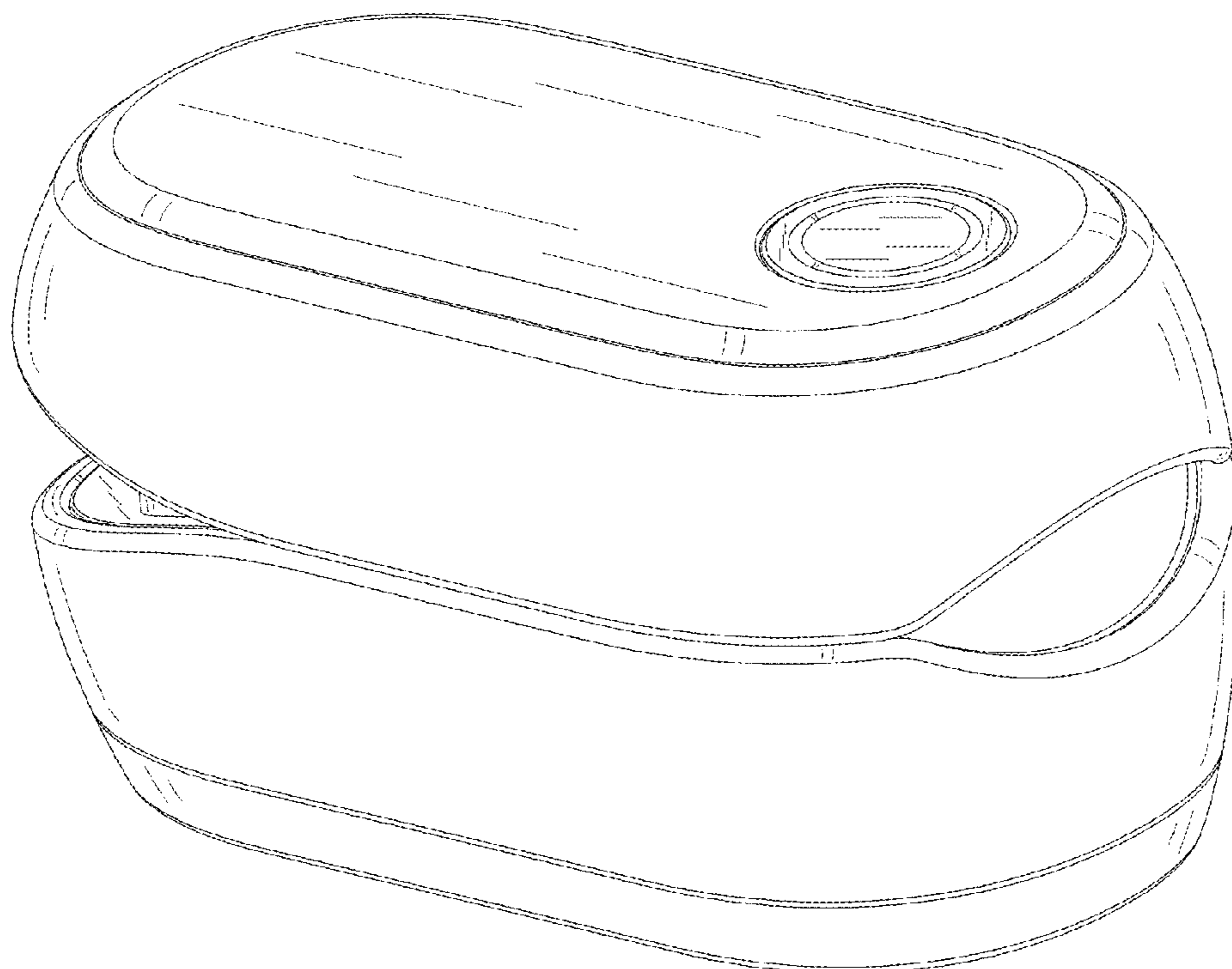
(57) **CLAIM**

The ornamental design for an oximeter, as shown and described.

DESCRIPTION

FIG. 1 is a front view of the oximeter showing our new design;
FIG. 2 is a back view thereof;
FIG. 3 is a left side view thereof;
FIG. 4 is a right side view thereof;
FIG. 5 is a top view thereof;
FIG. 6 is a bottom view thereof;
FIG. 7 is a perspective view thereof;
FIG. 8 is another perspective view thereof; and,
FIG. 9 is a perspective view thereof in an alternate configuration.

1 Claim, 9 Drawing Sheets



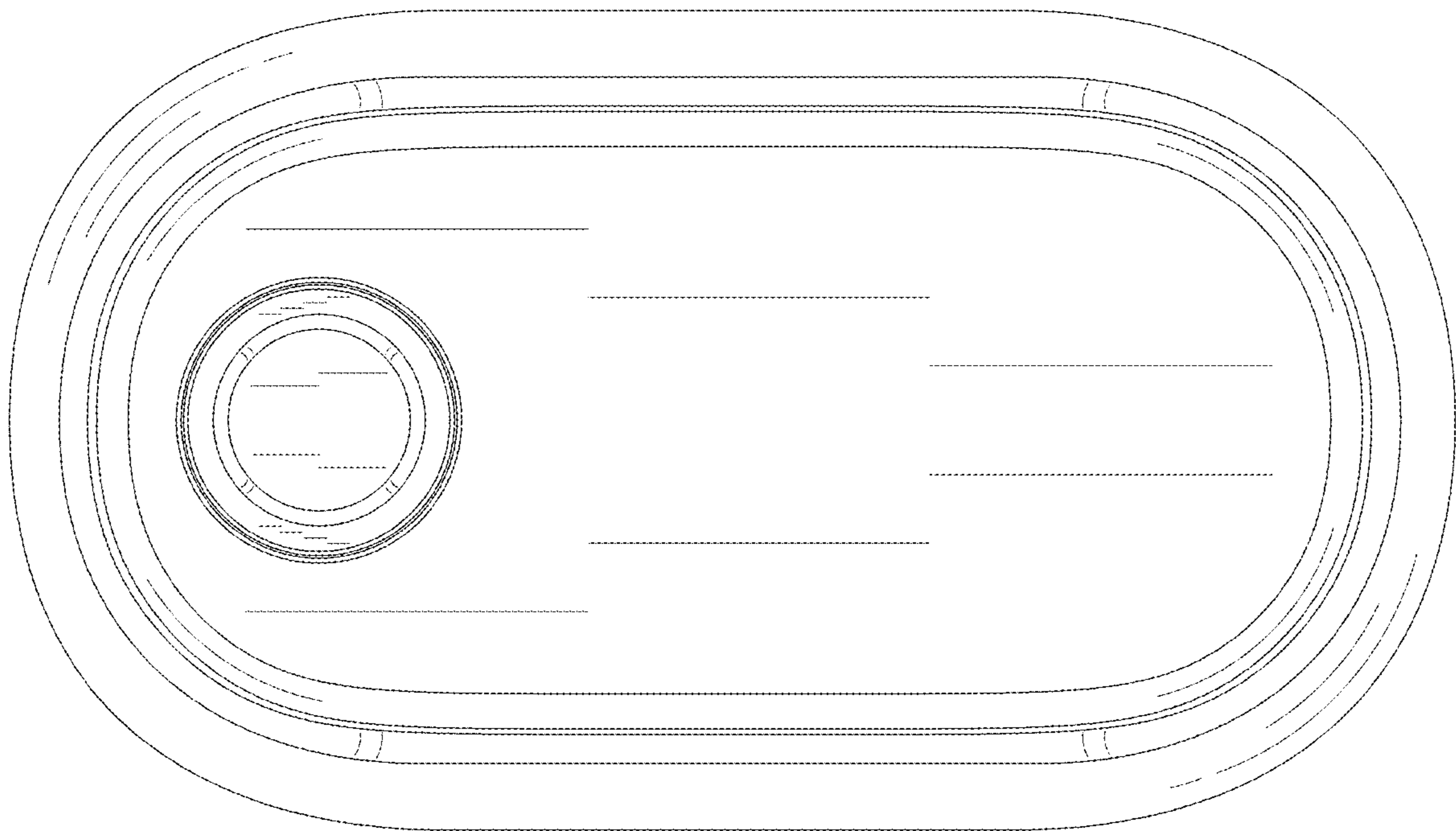


FIG. 1

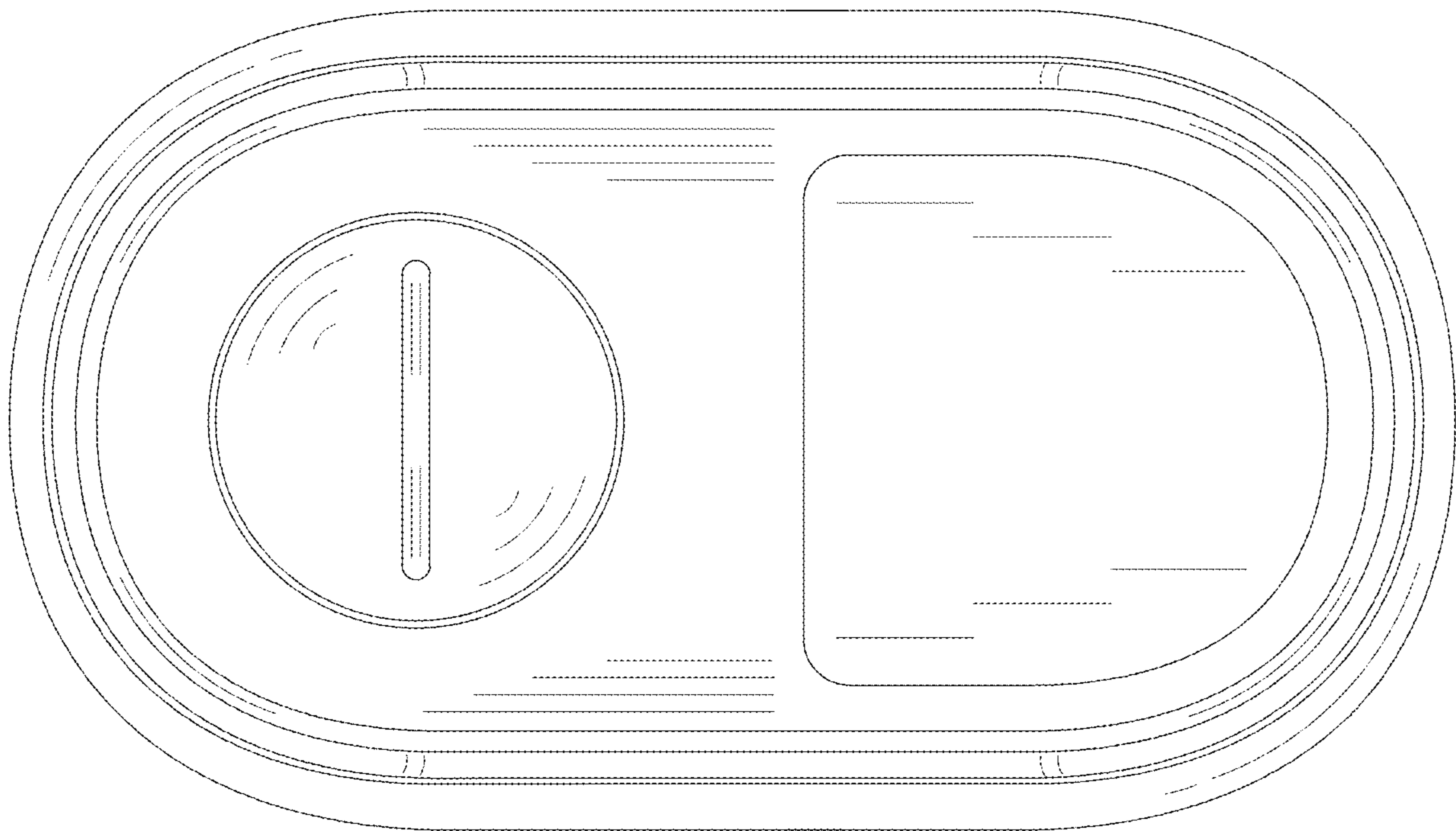


FIG. 2

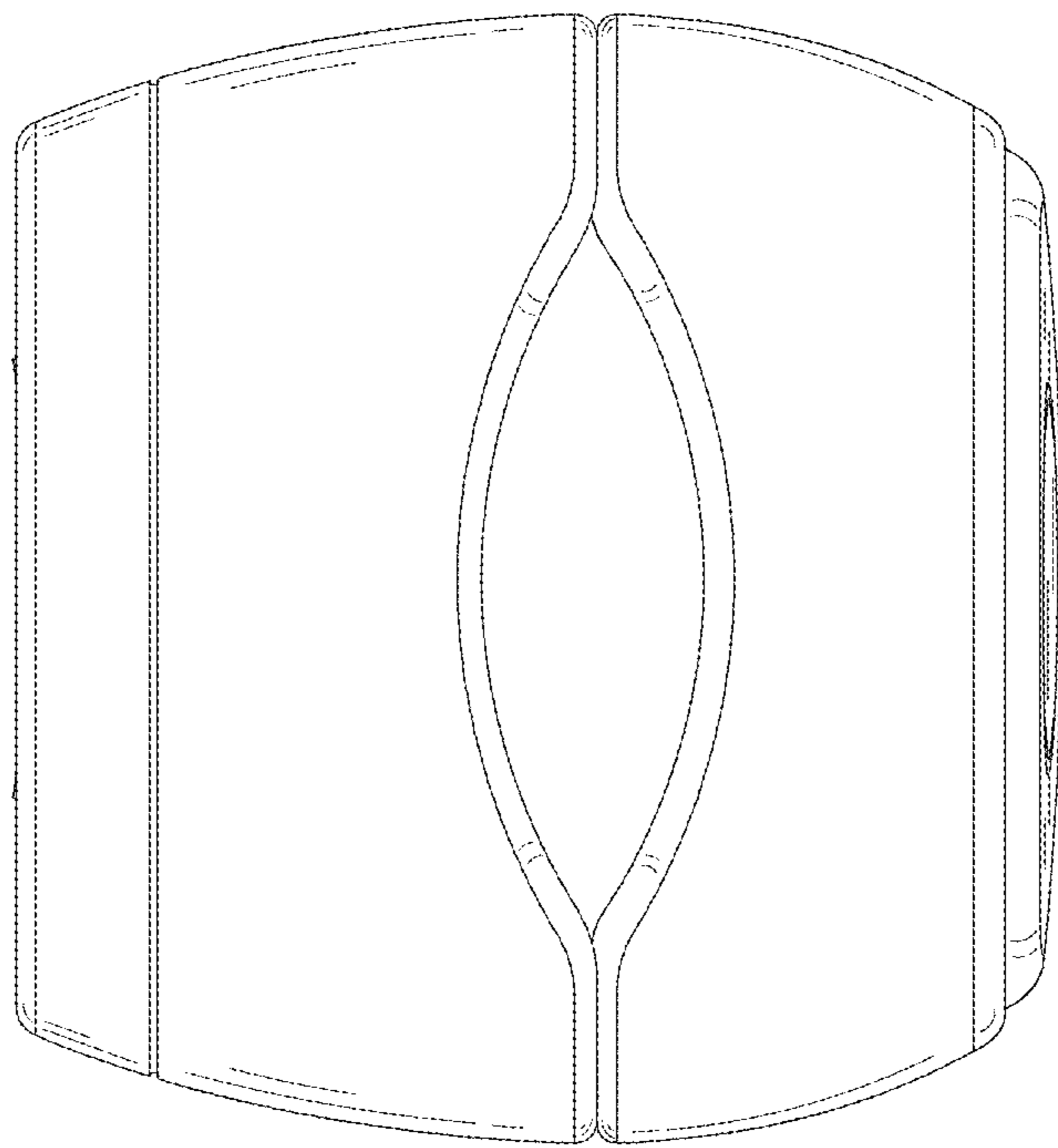


FIG. 3

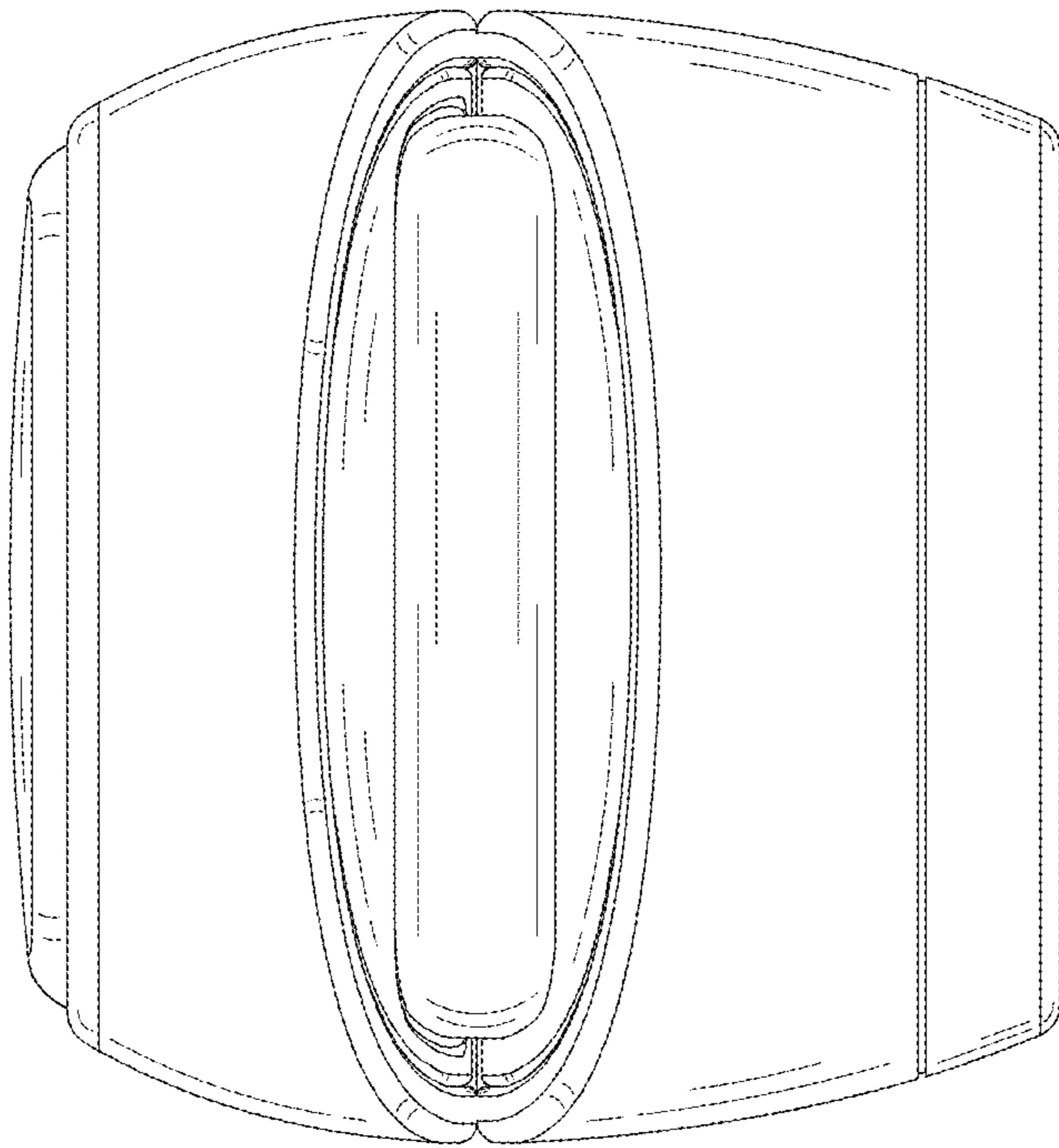


FIG. 4

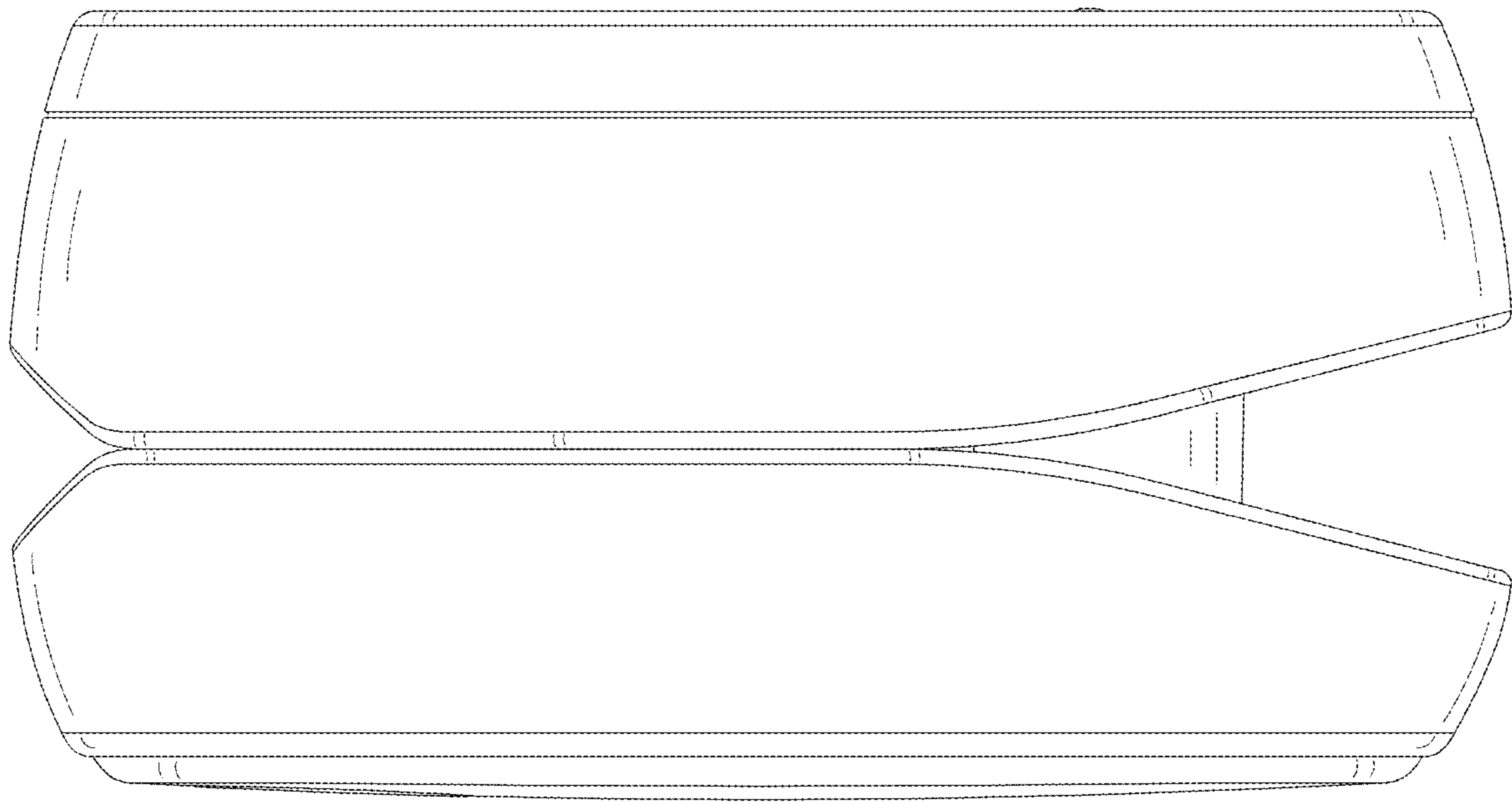


FIG. 5

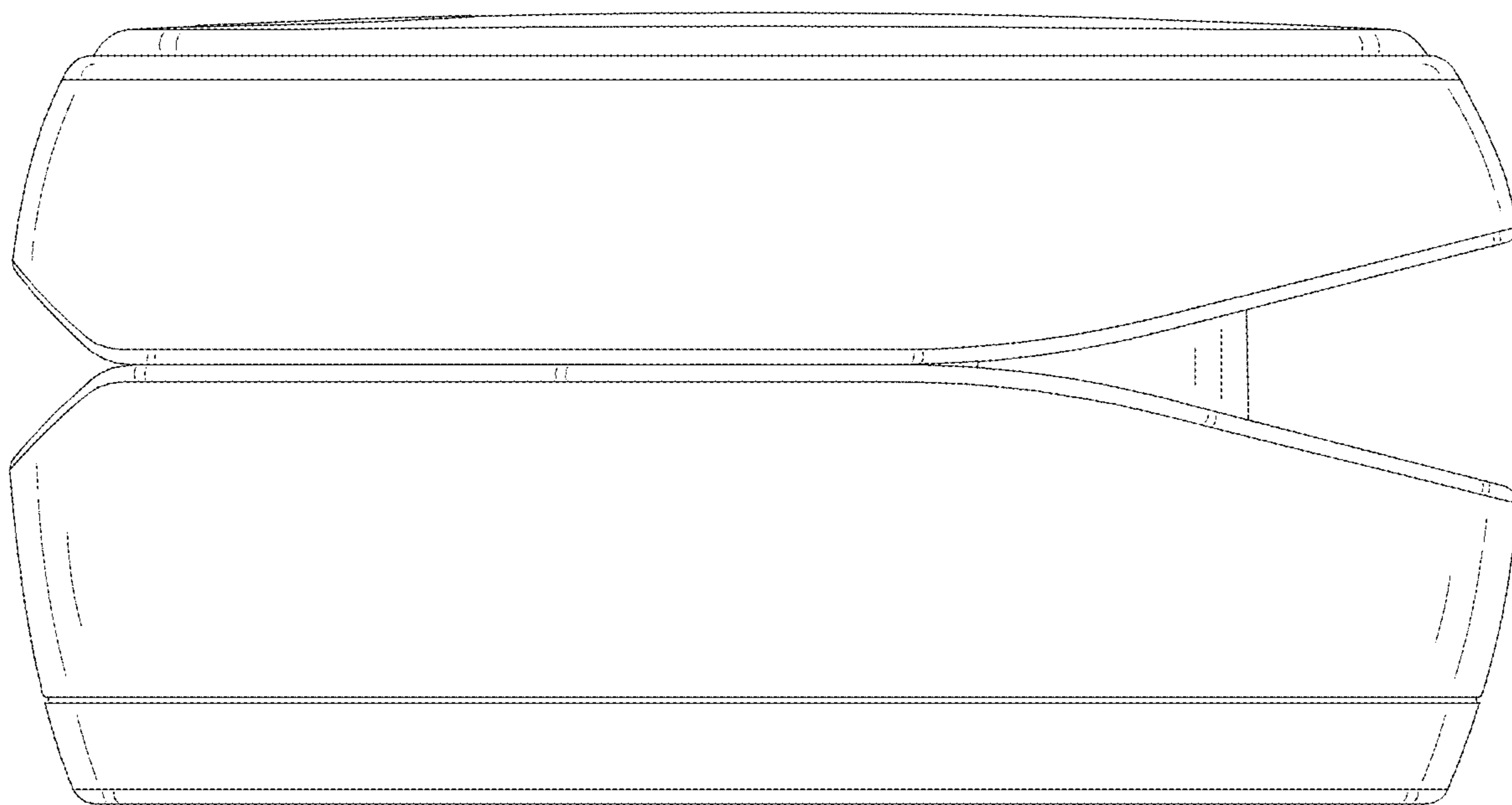


FIG. 6

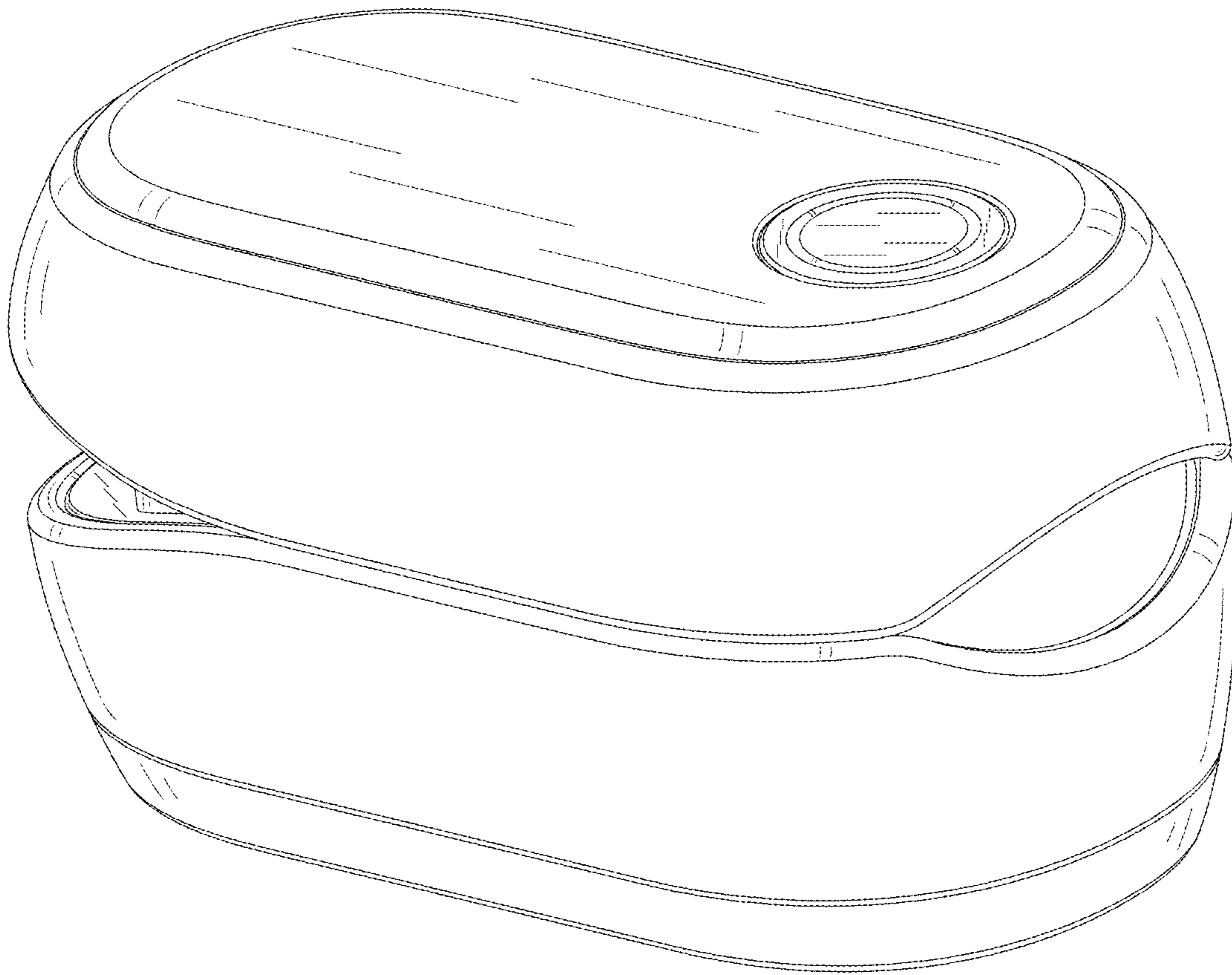


FIG. 7

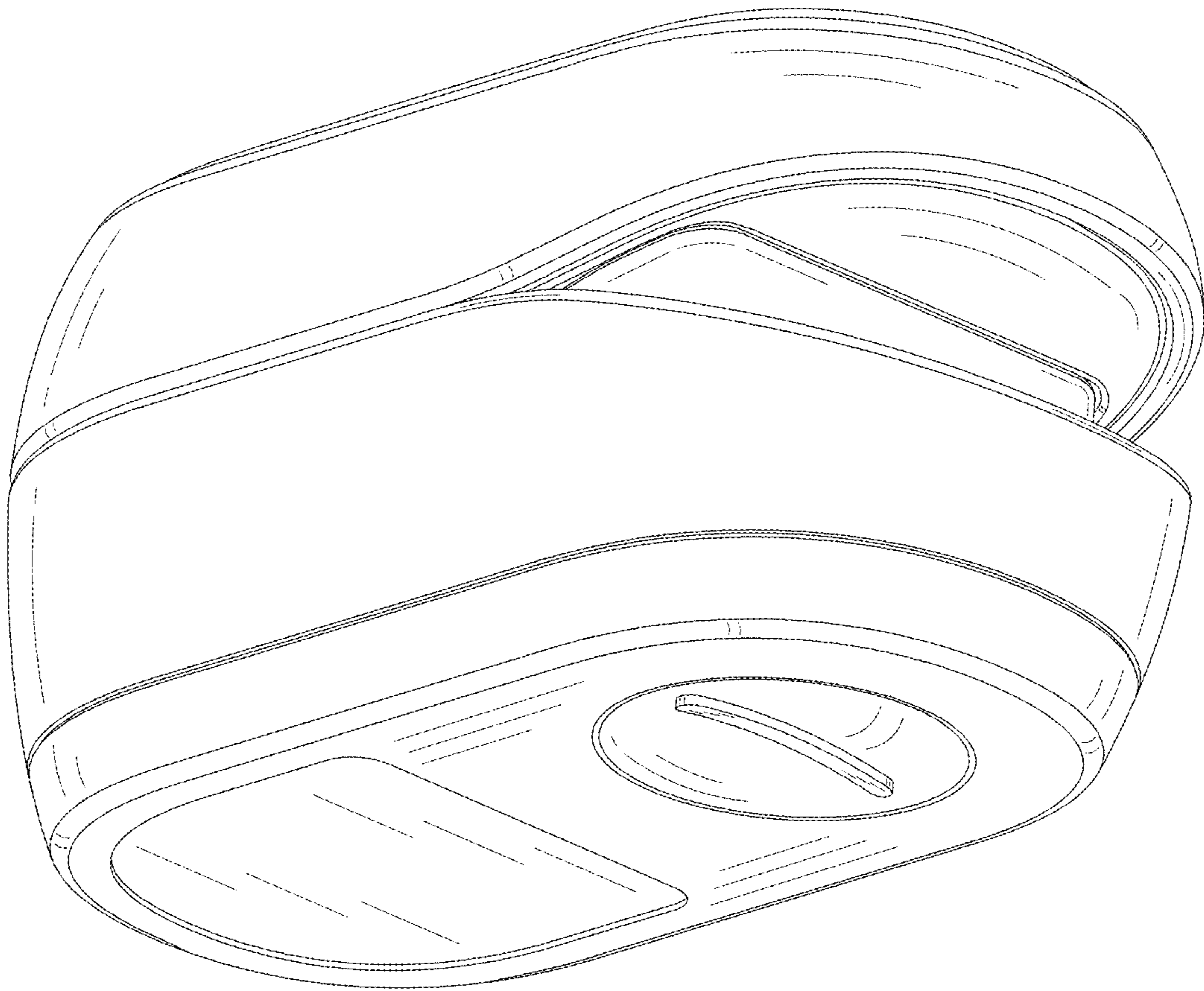


FIG. 8

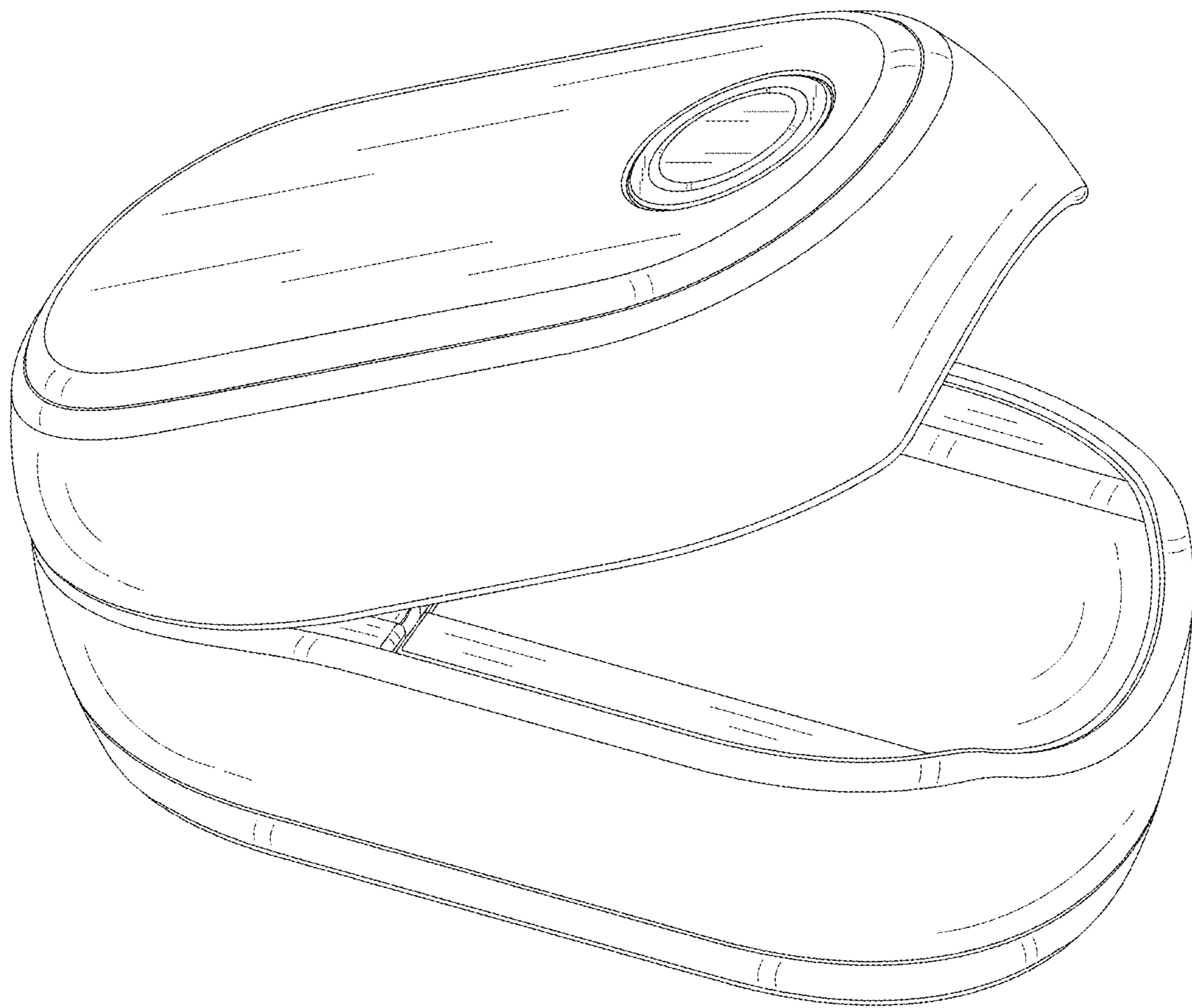


FIG. 9