



US00D971411S

(12) **United States Design Patent** (10) **Patent No.:** **US D971,411 S**
Kang et al. (45) **Date of Patent:** **** Nov. 29, 2022**

(54) **SPINAL PLATE** D734,853 S * 7/2015 Grant D24/155
D780,313 S * 2/2017 DaCosta D24/155
(71) Applicant: **L&K BIOMED CO., LTD.**, Yongin-si D814,635 S * 4/2018 Asfora D24/155
(KR) D829,911 S * 10/2018 Horton D24/155
D857,894 S * 8/2019 Donahoe A61B 17/8605
(72) Inventors: **Gook Jin Kang**, Seoul (KR); **Sang Soo** D869,657 S * 12/2019 Hollis D24/155
Lee, Anyang-si (KR); **Sun Gak Choi**, D877,905 S * 3/2020 Linder D24/155
Gwangju-si (KR) D877,906 S * 3/2020 Linder D24/155
D891,619 S * 7/2020 Hollis D24/155
D961,082 S * 8/2022 Villamil D24/155

(**) Term: **15 Years**

* cited by examiner

(21) Appl. No.: **35/512,425**

Primary Examiner — Charles D Hanson

(22) Filed: **Feb. 24, 2021**

(80) **Hague Agreement Data**

(57) **CLAIM**

Int. Filing Date: **Feb. 24, 2021**
Int. Reg. No.: **DM/214178**
Int. Reg. Date: **Feb. 24, 2021**
Int. Reg. Pub. Date: **Aug. 27, 2021**

The ornamental design for a spinal plate, as shown and described.

(30) **Foreign Application Priority Data**

DESCRIPTION

Aug. 27, 2020 (KR) 30-2020-0040368

(51) **LOC (13) Cl.** **24-03**

(52) **U.S. Cl.**
USPC **D24/155**

(58) **Field of Classification Search**
USPC D24/155
See application file for complete search history.

- 1. Spinal plate
- 1.1 : Perspective
- 1.2 : Front
- 1.3 : Back
- 1.4 : Left
- 1.5 : Right
- 1.6 : Top
- 1.7 : Bottom

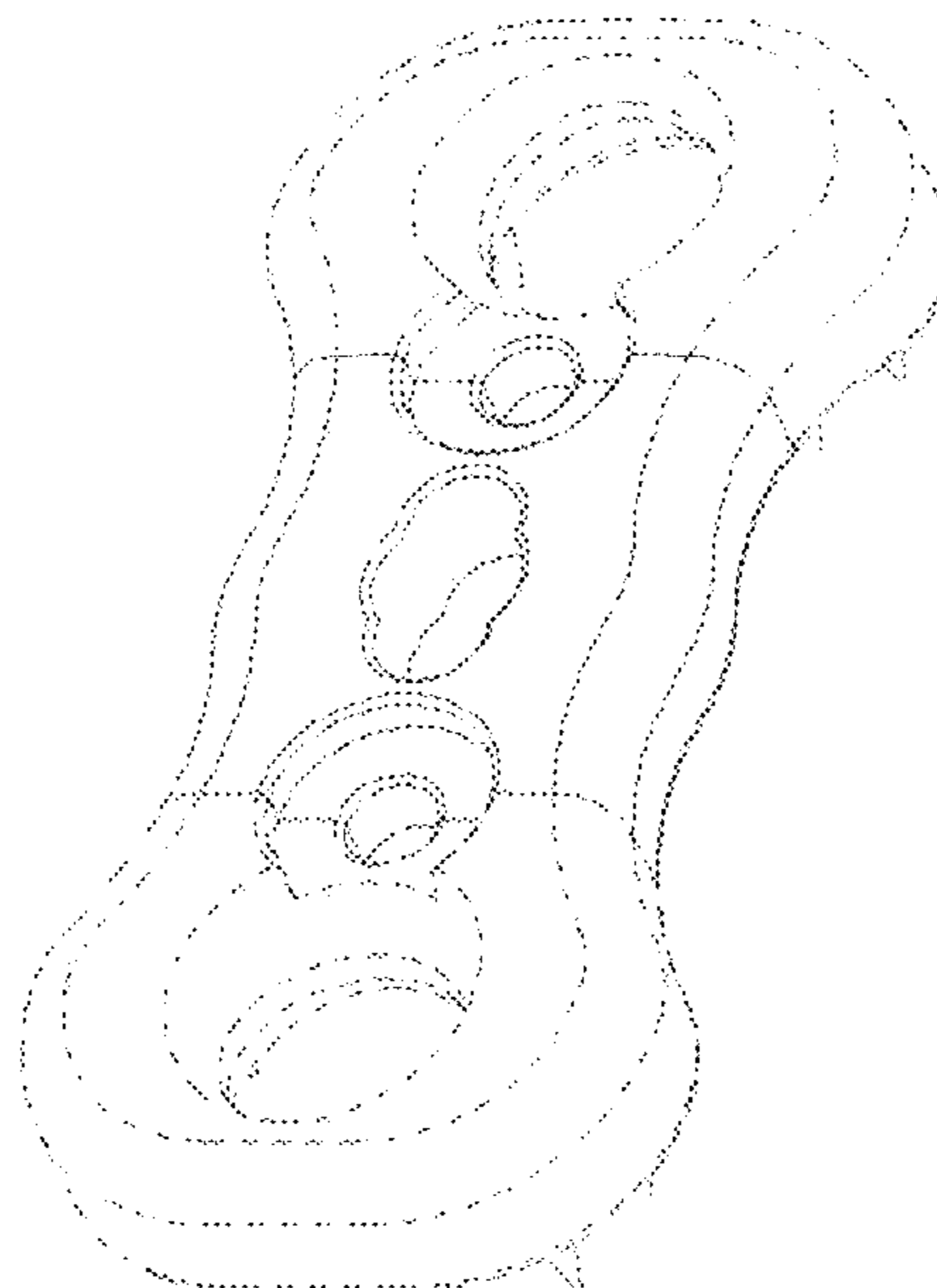
The present design is made of metal; this design relates to a spinal plate used when performing fixation surgery on the spine in orthopedic and neurosurgery; this article is installed to support two or more lumbar vertebrae after inserting a cage, which is an artificial prosthesis, in the place of the damaged intervertebral disc between the vertebrae; the present design is a partial design; a portion for which design registration is claimed, is represented by solid lines; an unclaimed portion is represented by broken lines; a boundary between two is represented by dashed-dotted lines.

(56) **References Cited**

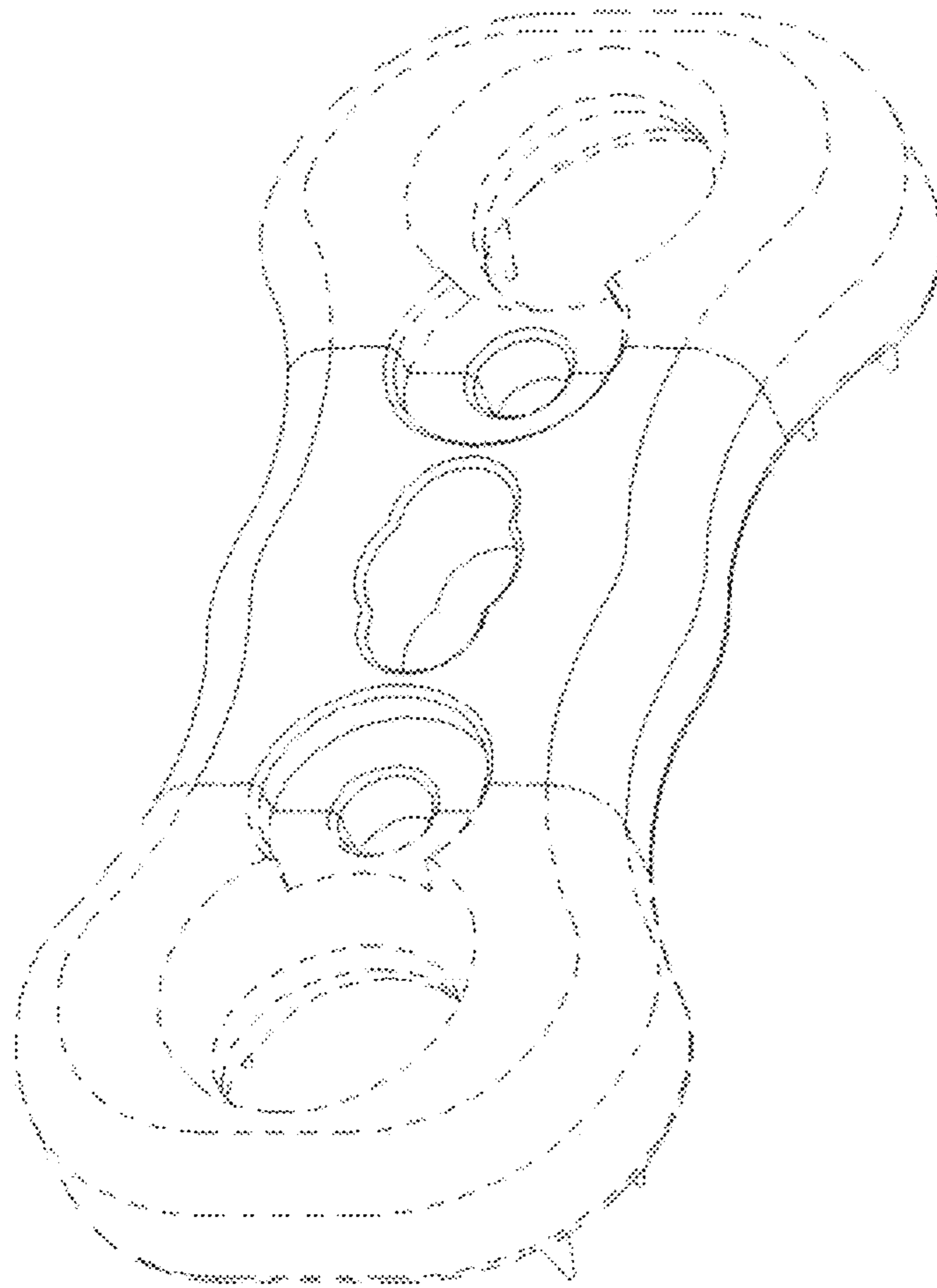
U.S. PATENT DOCUMENTS

D440,311 S * 4/2001 Michelson D24/155
D597,673 S * 8/2009 Smisson, III D24/155
D615,652 S * 5/2010 Weiman D24/155
D623,745 S * 9/2010 Kay D24/155
D623,751 S * 9/2010 Weiman D24/155
D643,927 S * 8/2011 Prasad D24/155

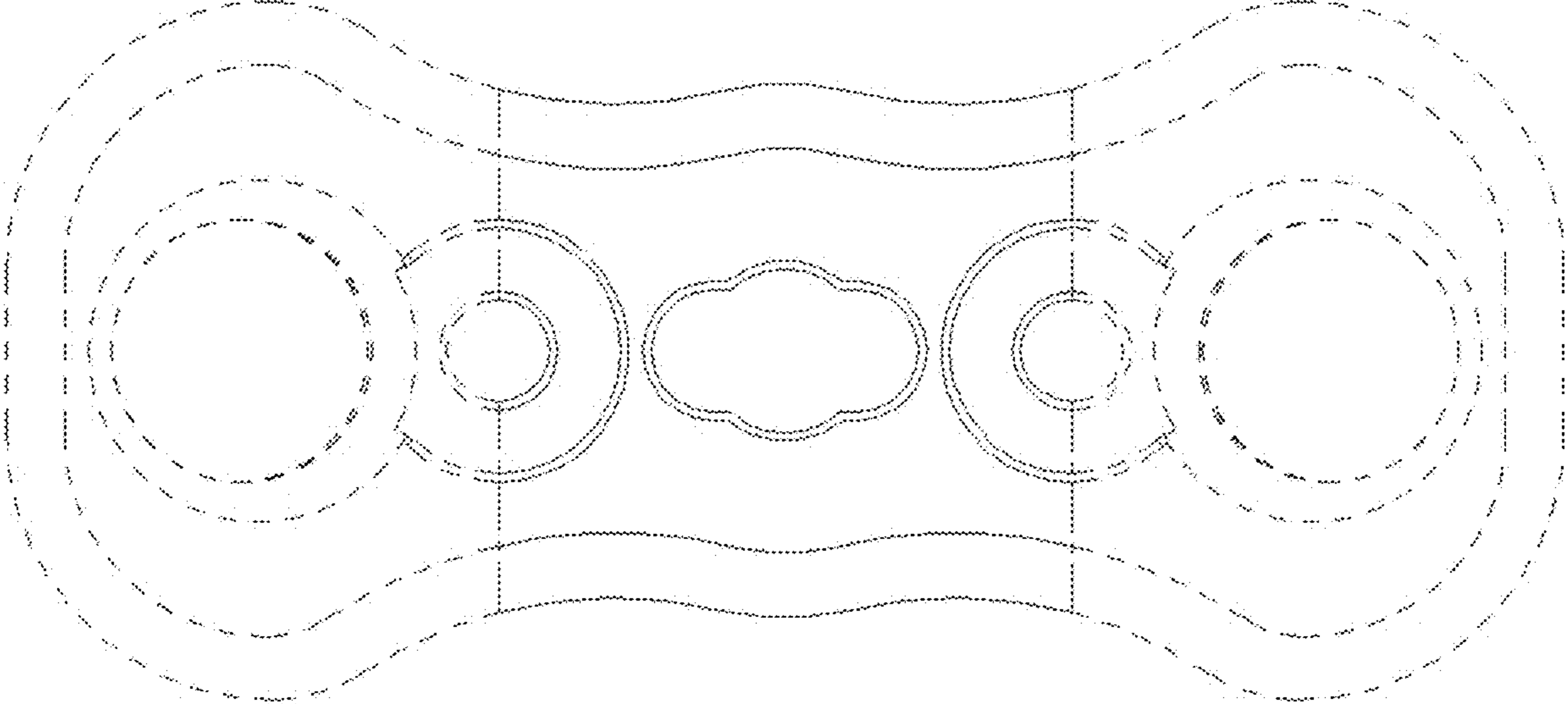
1 Claim, 7 Drawing Sheets



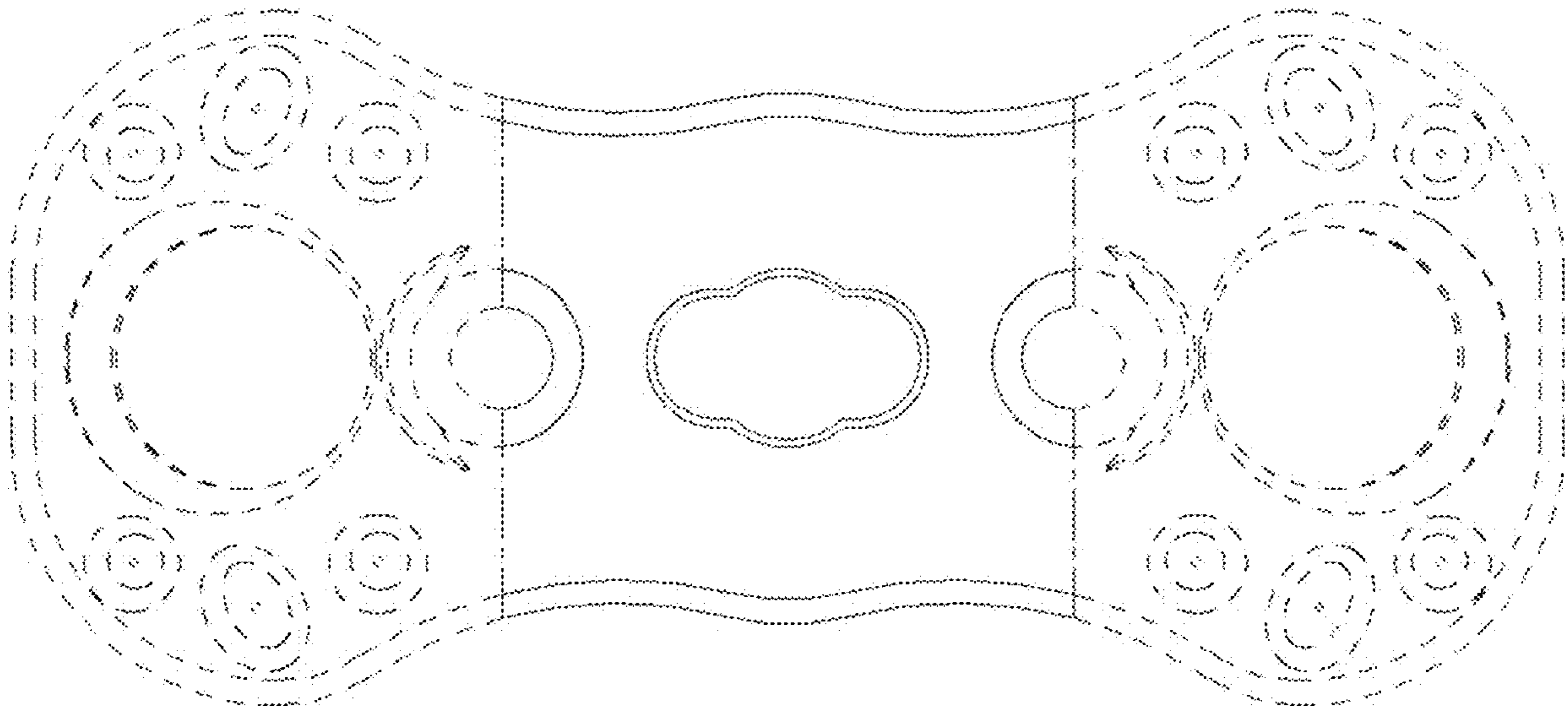
1.1



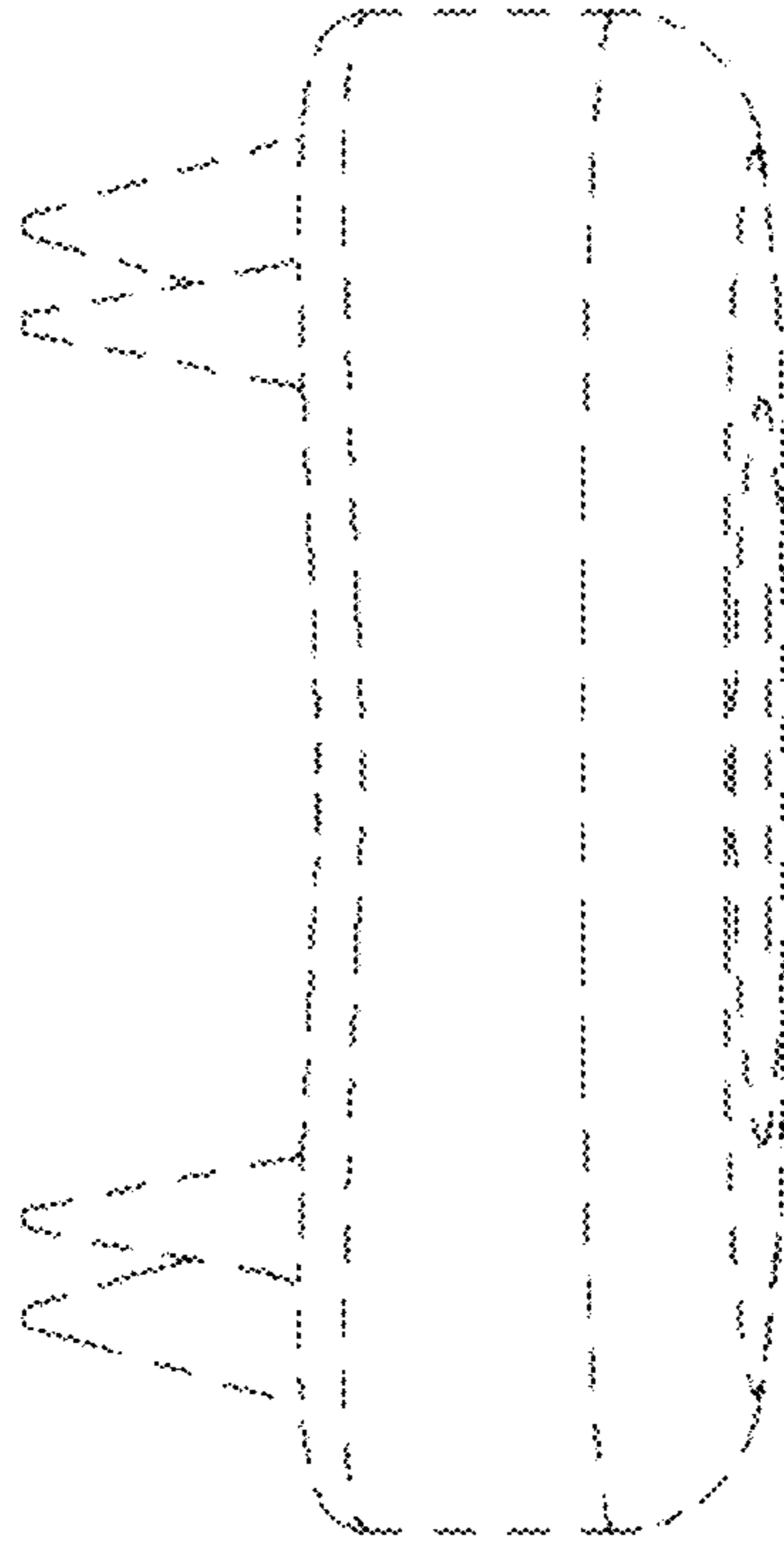
1.2



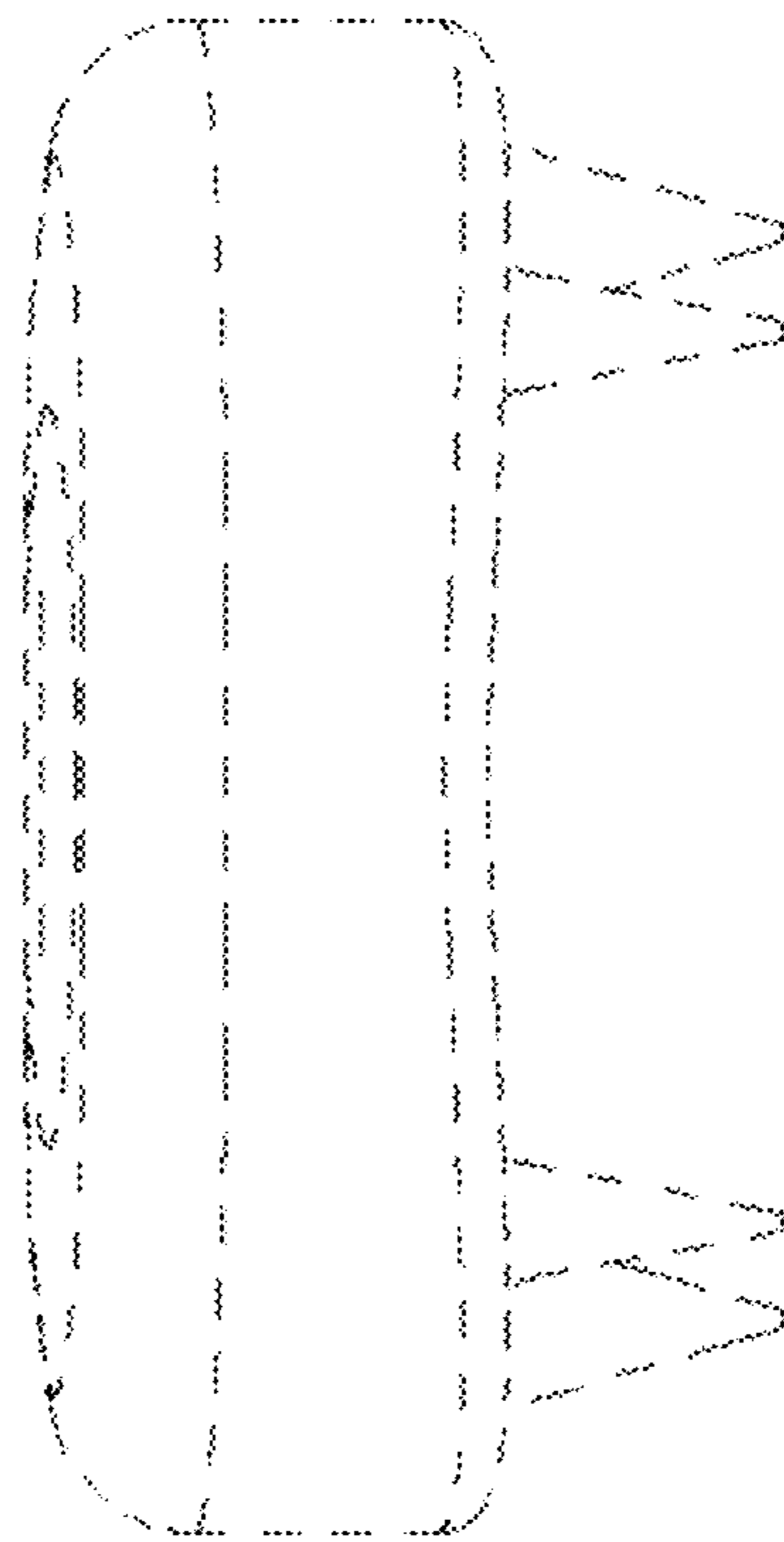
1.3



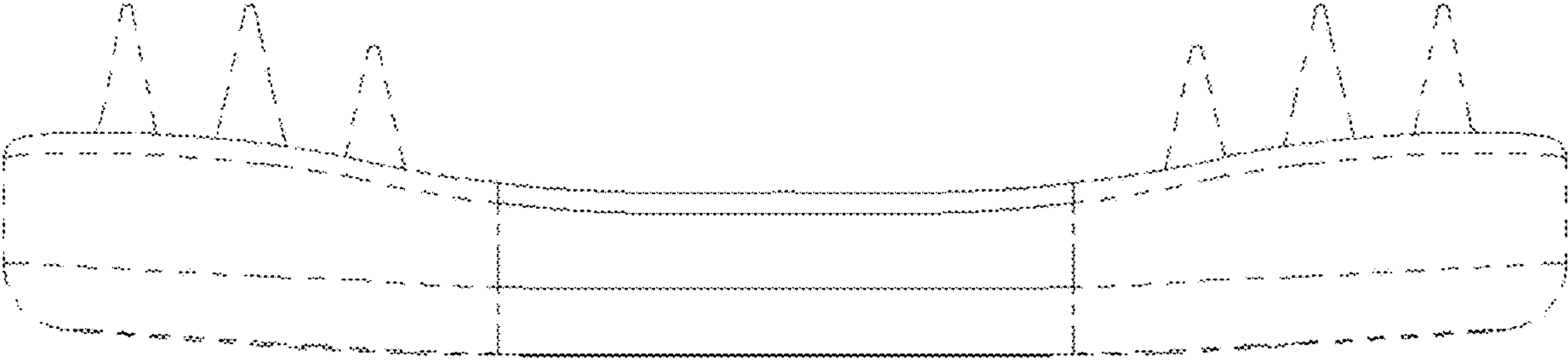
1.4



1.5



1.6



1.7

