



US00D971402S

(12) **United States Design Patent** (10) **Patent No.:** **US D971,402 S**  
**Cai** (45) **Date of Patent:** **\*\* Nov. 29, 2022**

(54) **TEETH IRRIGATOR**  
(71) Applicant: **SHANTOU XINGRONG PLASTIC CO., LTD.,** Shantou (CN)  
(72) Inventor: **Teng Cai,** Shantou (CN)  
(73) Assignee: **SHANTOU XINGRONG PLASTIC CO., LTD.,** Shantou (CN)  
(\*\*) Term: **15 Years**  
(21) Appl. No.: **29/811,100**  
(22) Filed: **Oct. 12, 2021**  
(51) **LOC (13) Cl.** ..... **24-04**  
(52) **U.S. Cl.**  
USPC ..... **D24/111**  
(58) **Field of Classification Search**  
USPC ..... D4/100, 101, 102, 110, 111, 136, 138, D4/199; D24/108, 111–115, 117, 152, D24/176, 231  
CPC ... A61C 15/046; A61C 15/047; A61C 15/048; A61C 17/00; A61C 17/005; A61C 17/0092; A61C 17/02; A61C 17/0202; A61C 17/0205; A61C 17/0211; A61C 17/028; A61C 17/16; A61C 17/22; A61C 17/222; A61C 17/225; A61C 17/227; A61C 17/28; A61C 17/32; A61C 17/34; A61C 17/36  
See application file for complete search history.

D881,383 S \* 4/2020 Chen ..... D24/111  
D888,936 S \* 6/2020 Bondurant ..... D24/111  
D895,791 S \* 9/2020 Yuan ..... D24/111  
D907,195 S \* 1/2021 Li ..... D24/111  
D907,198 S \* 1/2021 Bessho ..... D24/111  
D922,565 S 6/2021 Wang  
D953,520 S \* 5/2022 Li ..... D24/111

**FOREIGN PATENT DOCUMENTS**

EM 005590593-0001 \* 8/2018  
KR 301076854.0000 \* 9/2020  
KR 301153207.0000 \* 3/2022  
KR 301153208.0000 \* 3/2022

\* cited by examiner

*Primary Examiner* — Richard Kearney  
*Assistant Examiner* — Michael Hoffman

(57) **CLAIM**

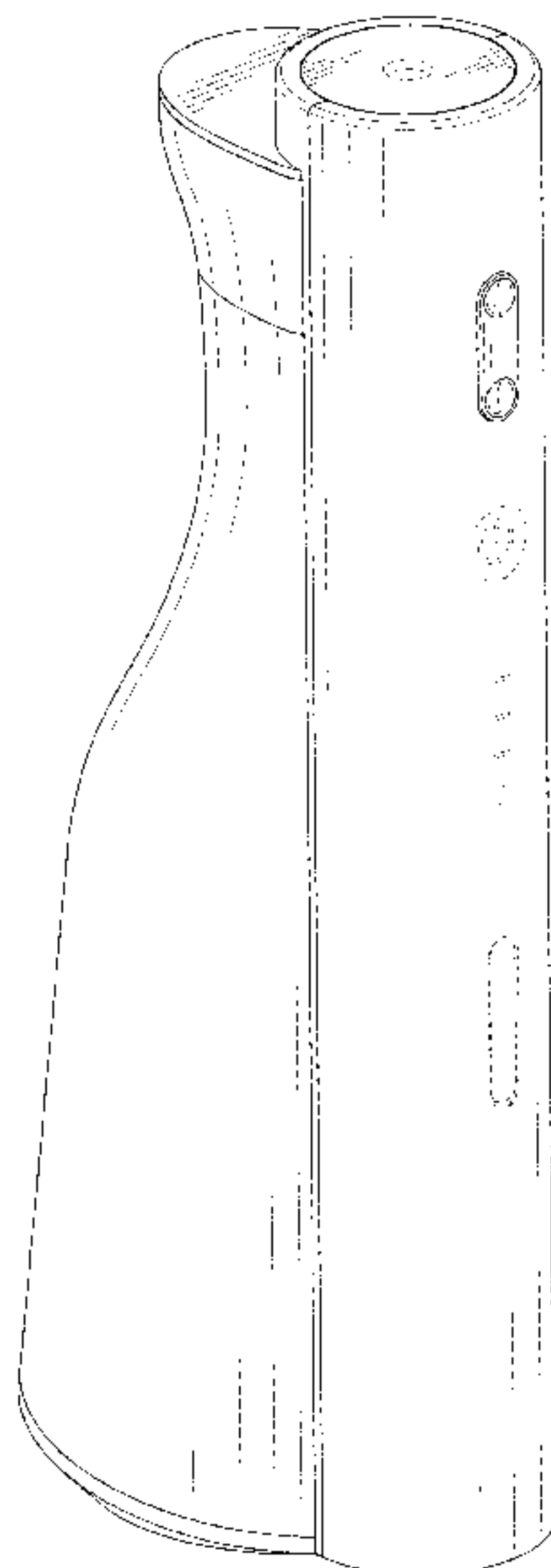
The ornamental design for a teeth irrigator, as shown and described.

**DESCRIPTION**

FIG. 1 is a perspective view of a teeth irrigator showing my new design;  
FIG. 2 is another perspective view thereof;  
FIG. 3 is a front elevational view thereof;  
FIG. 4 is a rear elevational view thereof;  
FIG. 5 is a left side elevational view thereof;  
FIG. 6 is a right side elevational view thereof;  
FIG. 7 is a top plan view thereof;  
FIG. 8 is a bottom plan view thereof; and,  
FIG. 9 is a perspective view of the teeth irrigator where the teeth irrigator is in a configuration of use.  
The broken lines in FIG. 9 showing a teeth irrigator depict environment and form no part of the claimed design. The other broken lines in the drawings depict portions of teeth irrigator and form no part of the claimed design.

**1 Claim, 9 Drawing Sheets**

(56) **References Cited**  
U.S. PATENT DOCUMENTS  
D548,334 S \* 8/2007 Izumi ..... D24/111  
D629,884 S \* 12/2010 Stephens ..... D24/108  
D778,433 S \* 2/2017 Li ..... D24/111  
D780,908 S \* 3/2017 Ladwig ..... D24/111  
D783,809 S \* 4/2017 Au ..... D24/111  
D804,016 S \* 11/2017 Ladwig ..... D24/111  
D806,228 S \* 12/2017 Yan ..... D24/176



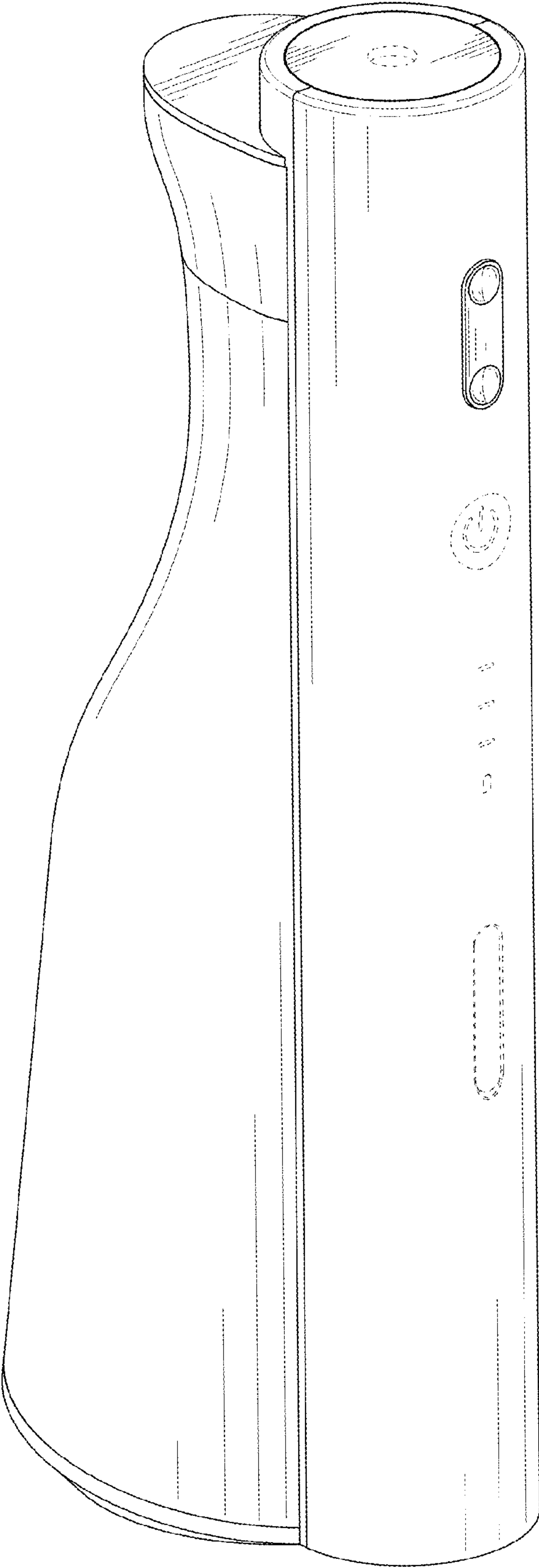


FIG. 1



FIG. 2

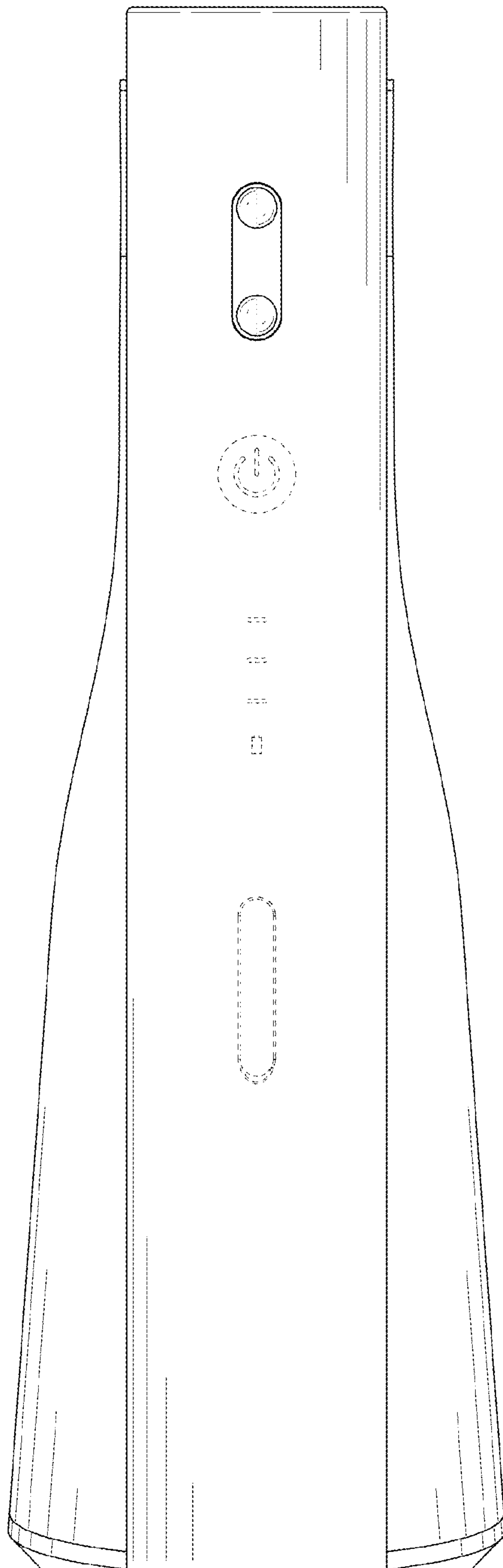


FIG. 3

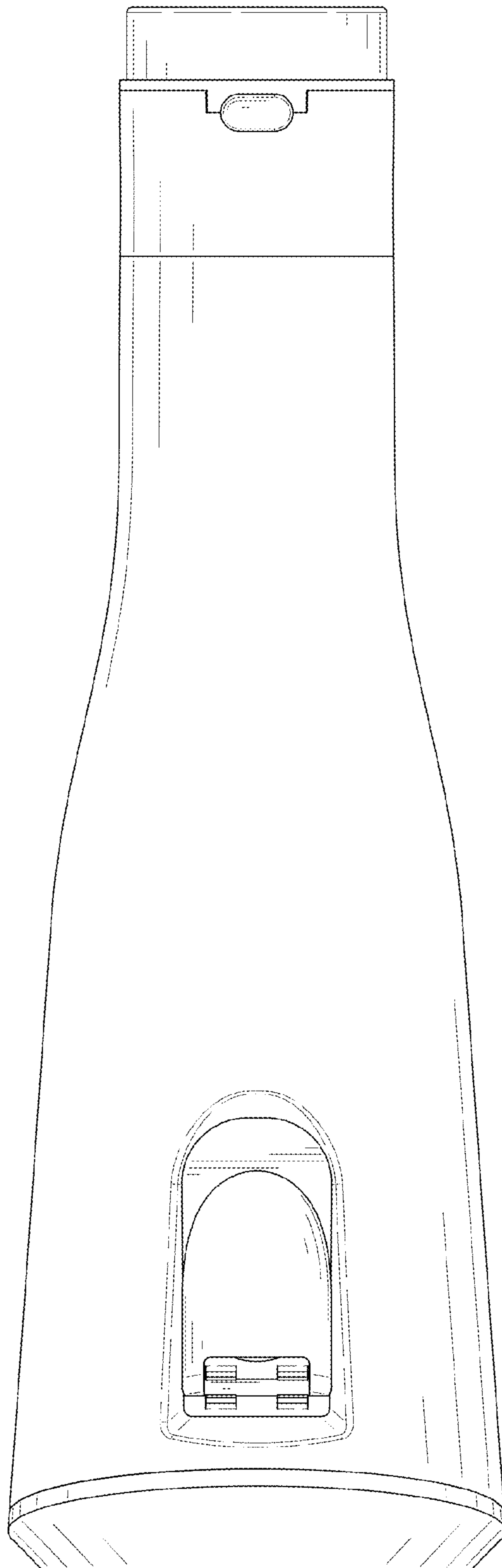


FIG. 4

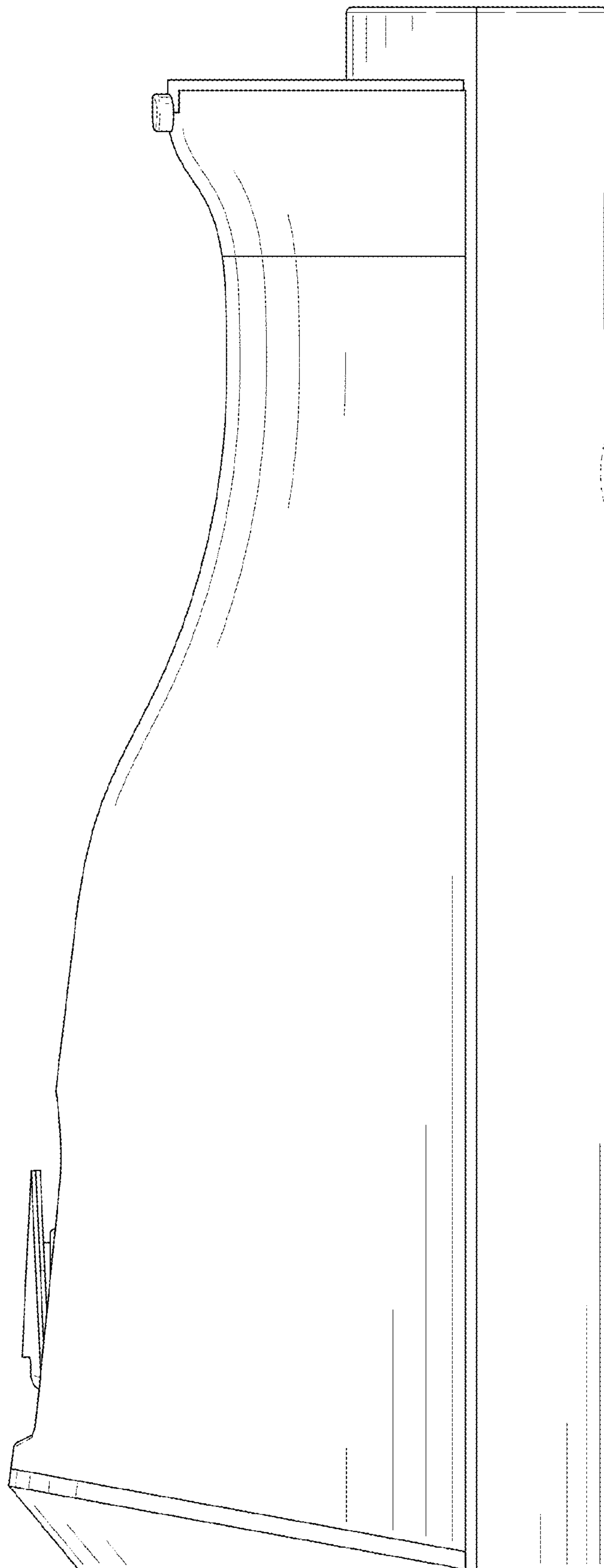


FIG. 5

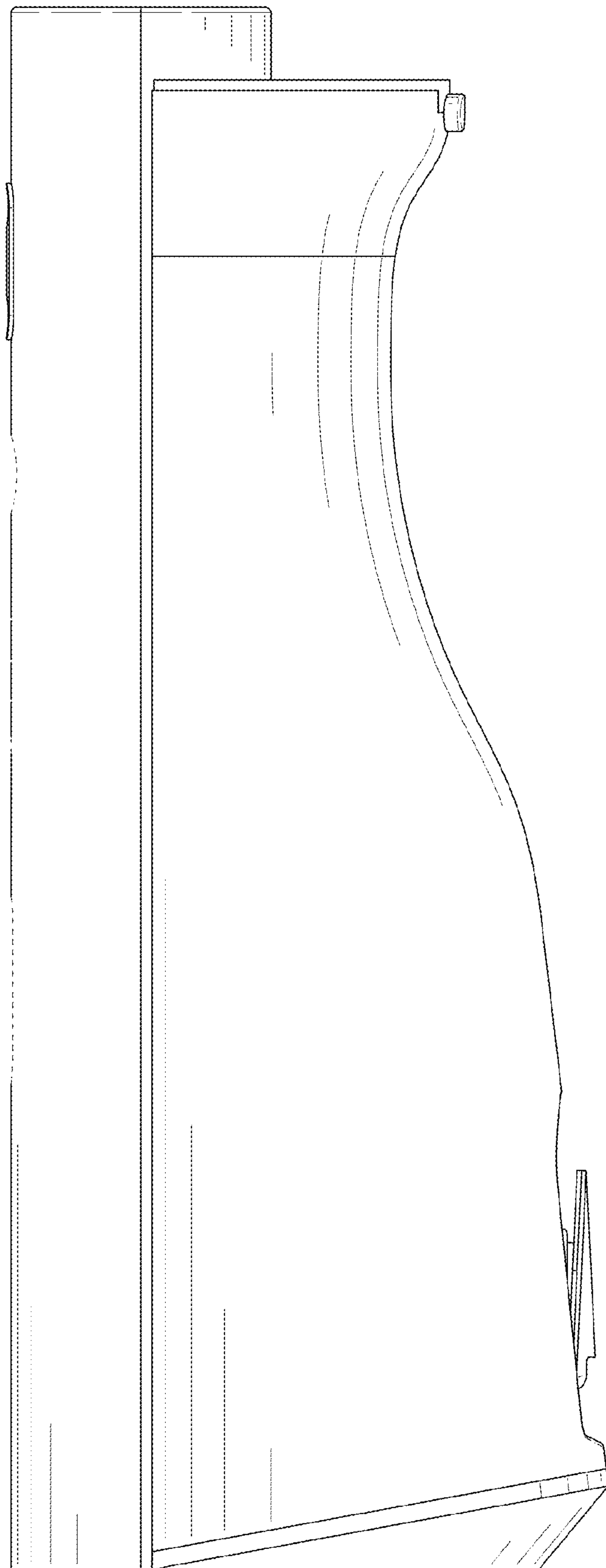


FIG. 6



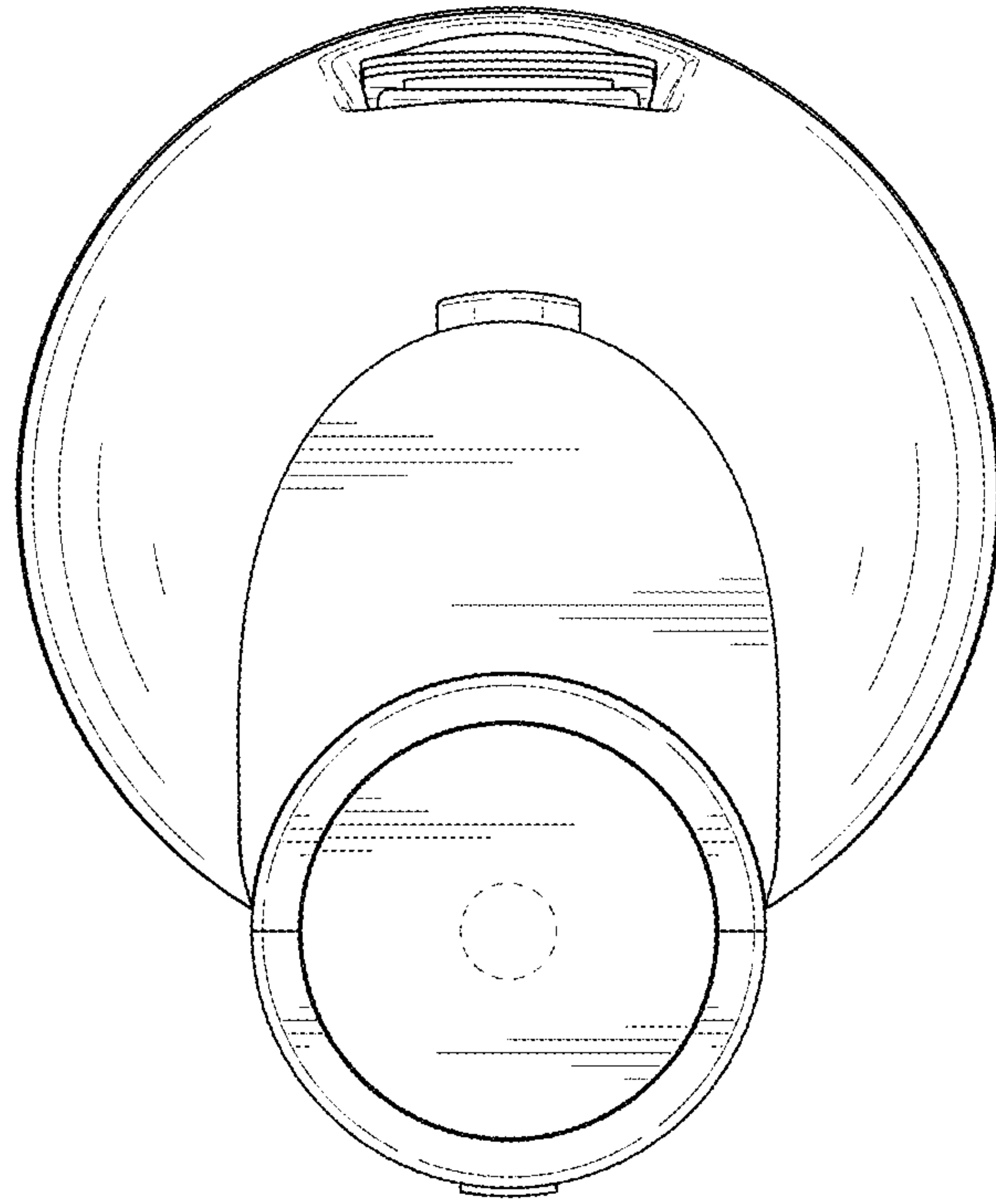


FIG. 7



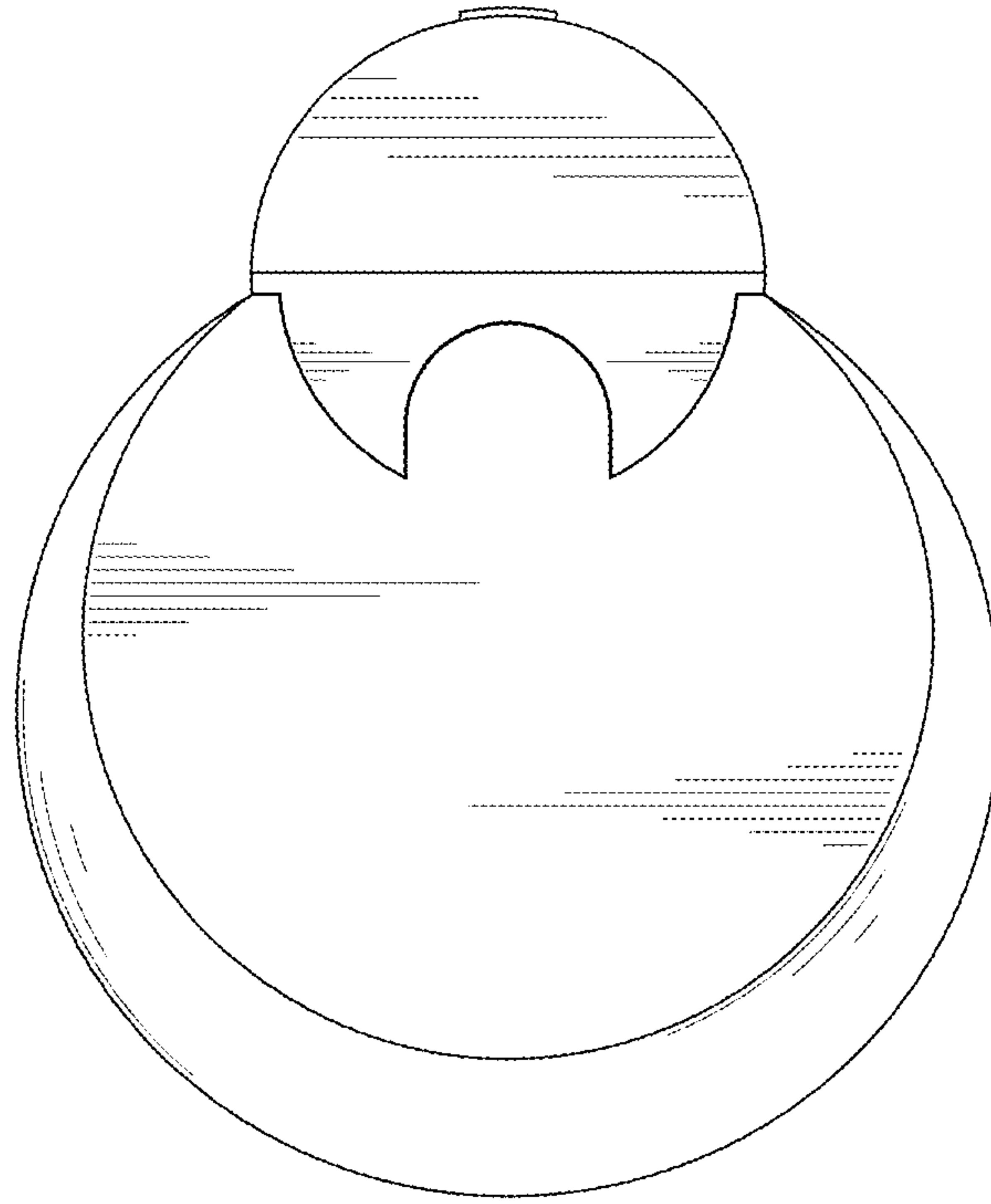


FIG. 8

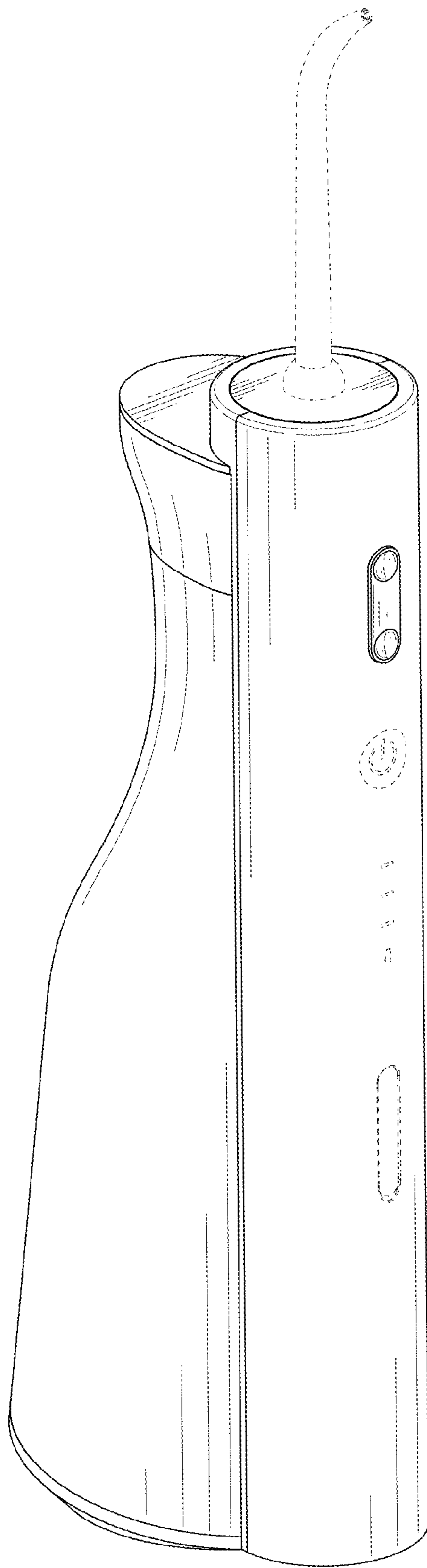


FIG. 9