



US00D971400S

(12) **United States Design Patent**
Biancuzzo

(10) **Patent No.:** **US D971,400 S**

(45) **Date of Patent:** **** Nov. 29, 2022**

- (54) **CEILING FAN LIGHT KIT**
- (71) Applicant: **AIR COOL INDUSTRIAL CO., LTD.**, Taichung (TW)
- (72) Inventor: **Francisco Biancuzzo**, Davie, FL (US)
- (73) Assignee: **AIR COOL INDUSTRIAL CO., LTD.**, Taichung (TW)
- (**) Term: **15 Years**
- (21) Appl. No.: **29/685,003**
- (22) Filed: **Mar. 25, 2019**
- (51) **LOC (13) Cl.** **23-04**
- (52) **U.S. Cl.**
USPC **D23/411**; D26/59; D26/89
- (58) **Field of Classification Search**
USPC D23/370, 377, 385, 411; D26/59, 86, 88, D26/89
CPC ... F04D 25/088; F04D 29/703; F21V 33/0096
See application file for complete search history.

(56) **References Cited**

U.S. PATENT DOCUMENTS

D45,313 S *	2/1914	Schoenhardt	D26/88
D47,610 S *	7/1915	Owen	D26/130
D504,173 S *	4/2005	Cohen	D23/411
D507,830 S *	7/2005	Pan	D23/411
D520,633 S *	5/2006	Tai	D23/411
D526,715 S *	8/2006	Glasbrenner	D23/411
D551,758 S *	9/2007	Shurtleff	D23/411
D556,930 S *	12/2007	Ertze	D26/59
D595,004 S *	6/2009	Pan	D26/59
D605,333 S *	12/2009	Miranda	D26/88
D686,771 S *	7/2013	Lastimoso	D26/88
D700,984 S *	3/2014	Yang	D26/59
D704,819 S *	5/2014	Wang	D23/411
D710,490 S *	8/2014	Shurtleff	D23/411
D744,082 S *	11/2015	Wang	D23/411

D799,682 S *	10/2017	Wang	D26/59
D803,470 S *	11/2017	Austin, III	D26/118
D821,008 S *	6/2018	Guthrie	D23/386
D857,970 S *	8/2019	Yang	D26/89
D878,652 S *	3/2020	McRoberts	D26/59
D878,653 S *	3/2020	Haggar	D26/89
D898,182 S *	10/2020	Zhang	D23/411
D928,373 S *	8/2021	Haggar	D26/124
D929,563 S *	8/2021	Biancuzzo	D23/411
D945,595 S *	3/2022	Biancuzzo	D23/382
D948,700 S *	4/2022	McRoberts	D26/59
D949,448 S *	4/2022	Guthrie	D26/59

(Continued)

Primary Examiner — Janice Hallmark

(74) *Attorney, Agent, or Firm* — Pai Patent & Trademark Law Firm; Chao-Chang David Pai

(57) **CLAIM**

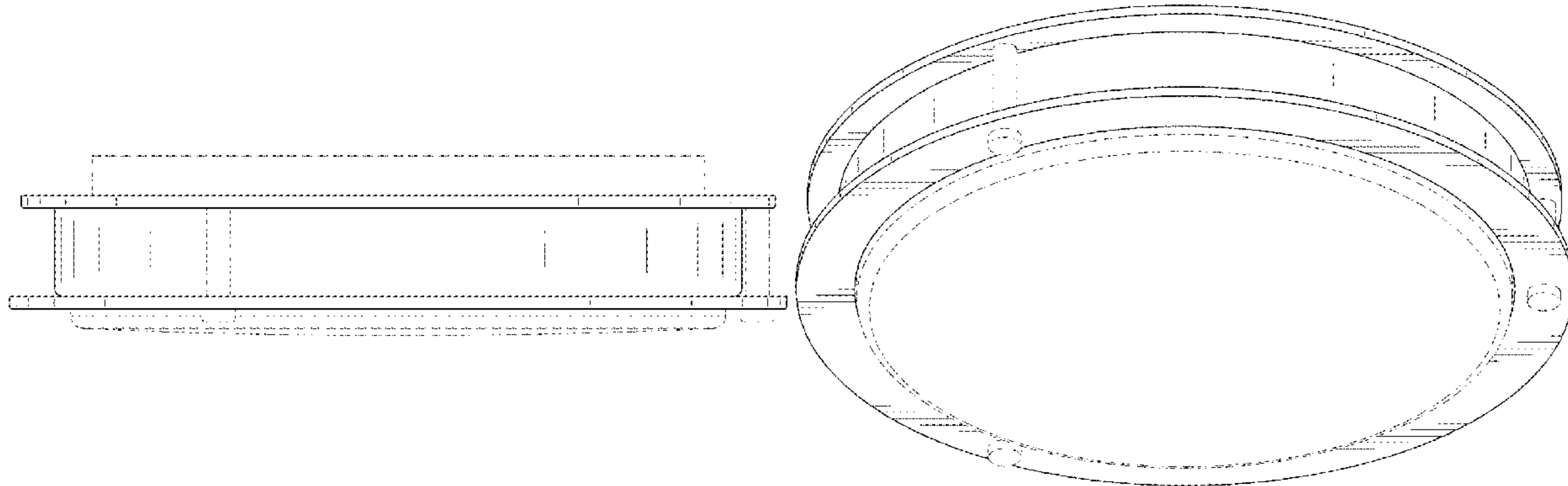
The ornamental design for a ceiling fan light kit, as shown and described.

DESCRIPTION

FIG. 1 is a front top perspective view of a ceiling fan light kit showing my new design;
 FIG. 2 is a front elevational view thereof;
 FIG. 3 is a rear elevational view thereof;
 FIG. 4 is a left side elevational view thereof;
 FIG. 5 is a right side elevational view thereof;
 FIG. 6 is a top plan view thereof;
 FIG. 7 is a bottom plan view thereof;
 FIG. 8 is a front bottom perspective view thereof; and,
 FIG. 9 is a front end view of the ceiling fan light kit in accordance with my design, shown in an environment thereof.

The broken lines illustrate portions of the ceiling fan light kit and form no part of the claimed design. Additional broken lines in FIG. 9 illustrate environmental subject matter and form no part of the claimed design.

1 Claim, 7 Drawing Sheets



(56)

References Cited

U.S. PATENT DOCUMENTS

D952,121 S * 5/2022 He D23/382
D957,616 S * 7/2022 Dalton D26/59

* cited by examiner

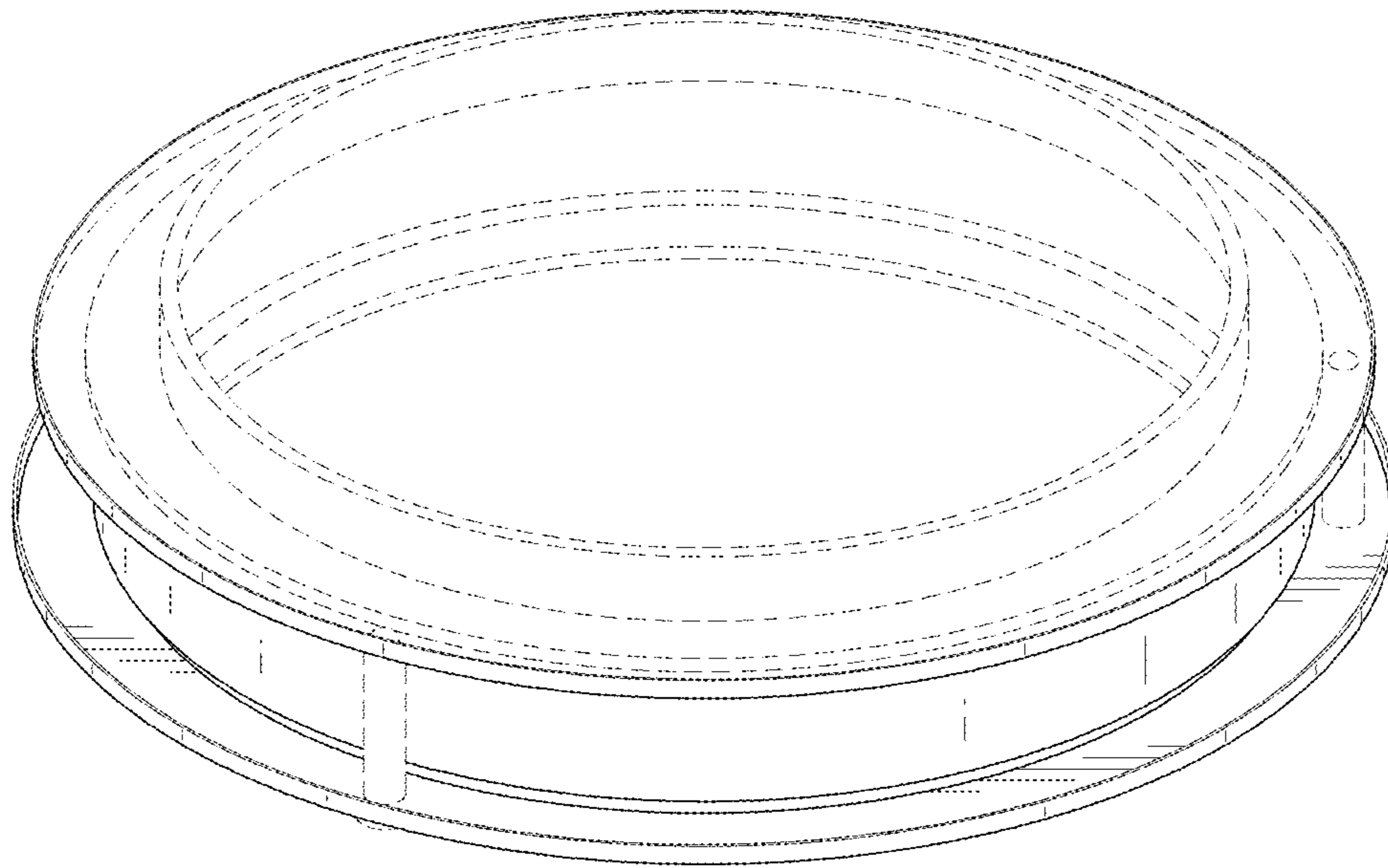


FIG. 1

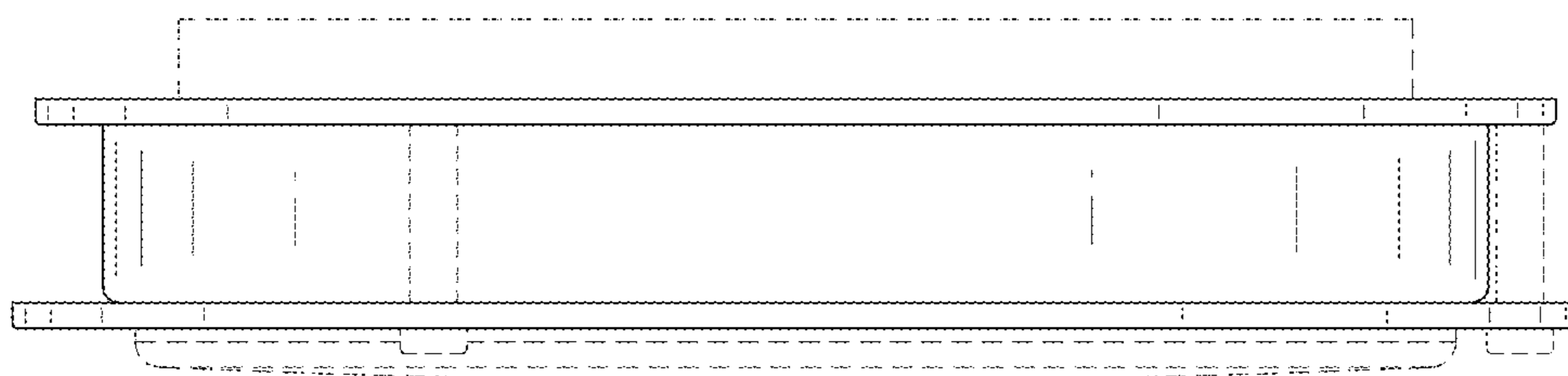


FIG. 2

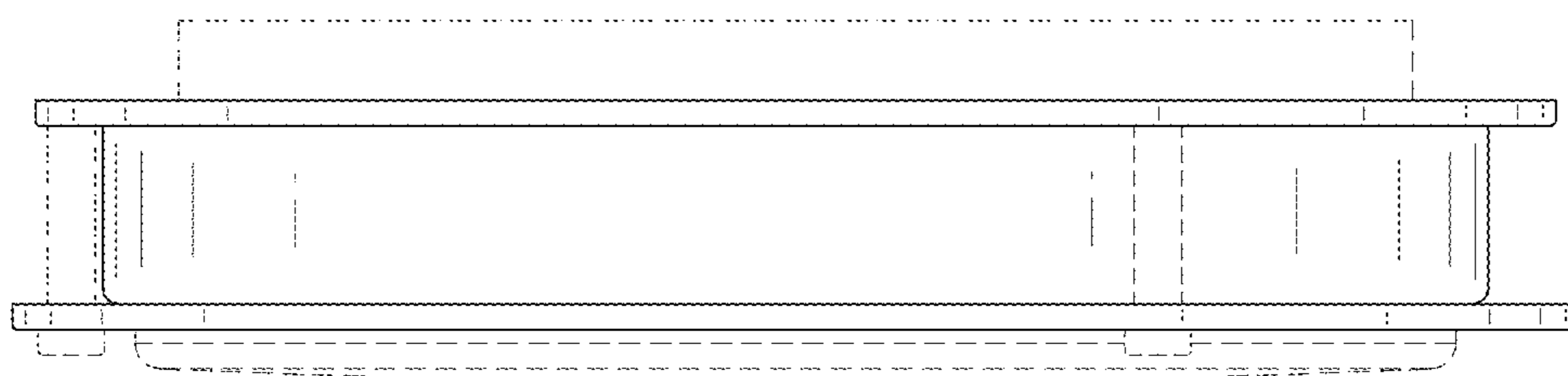


FIG. 3

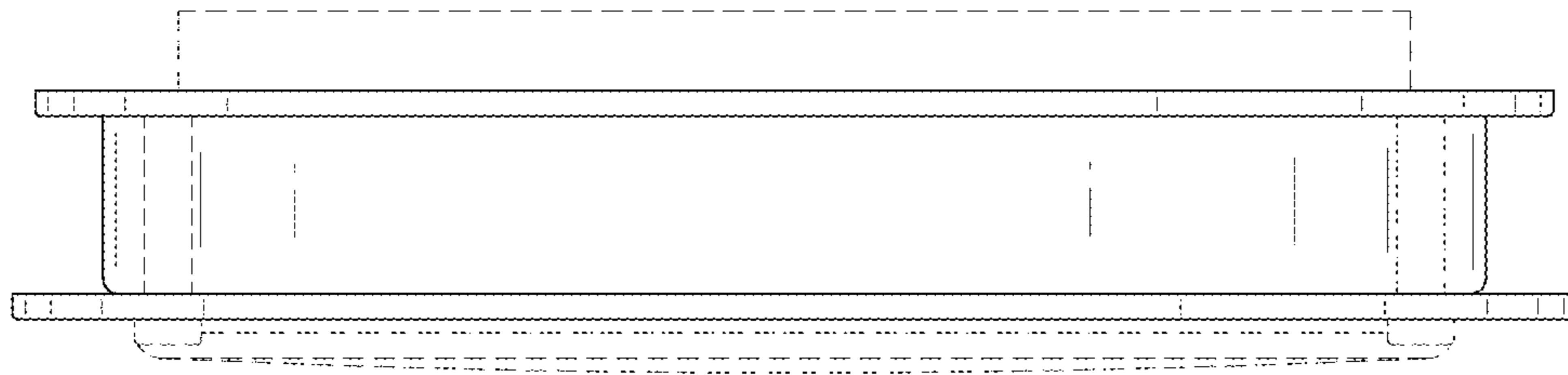


FIG. 4

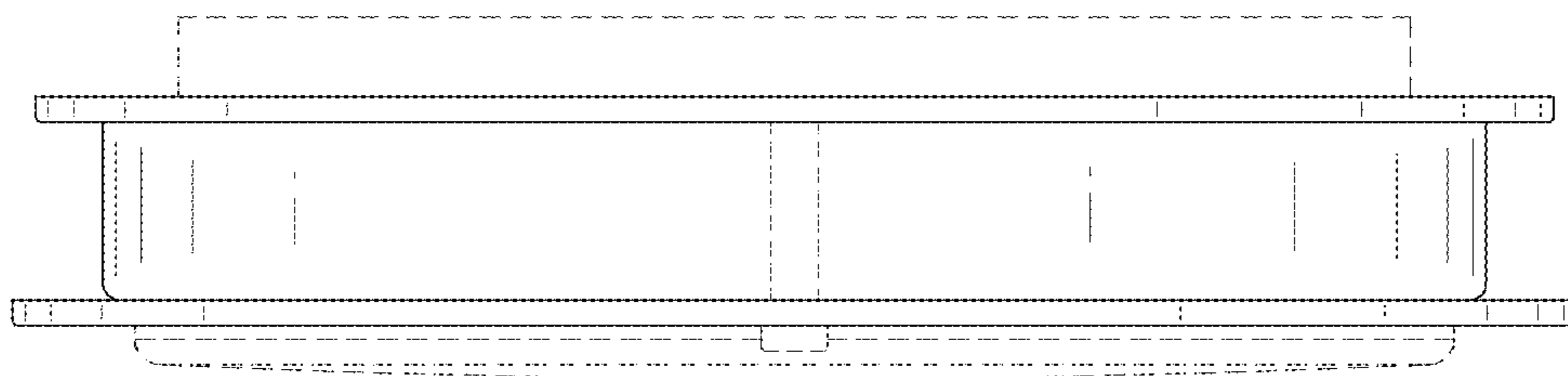


FIG. 5

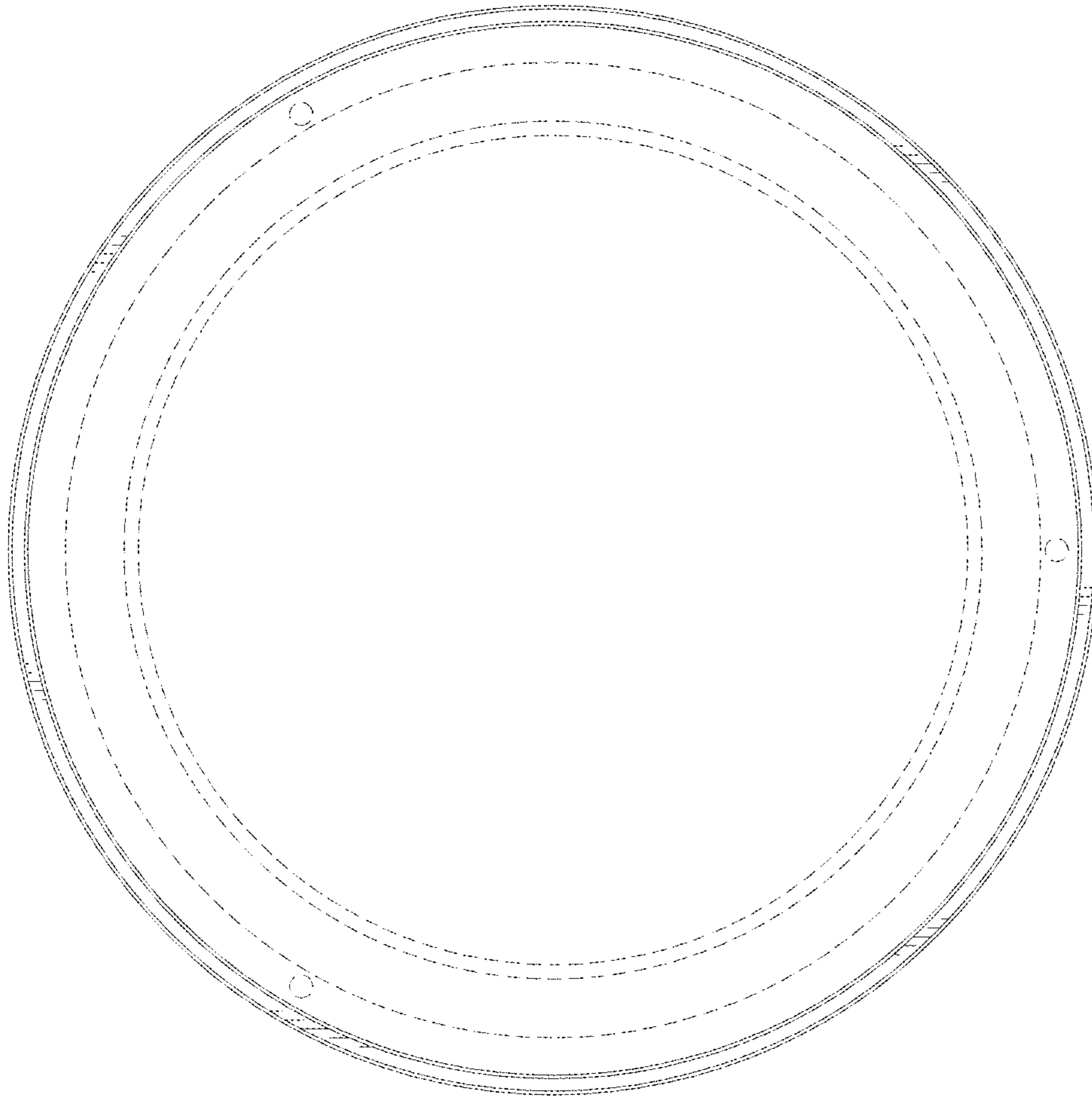


FIG. 6

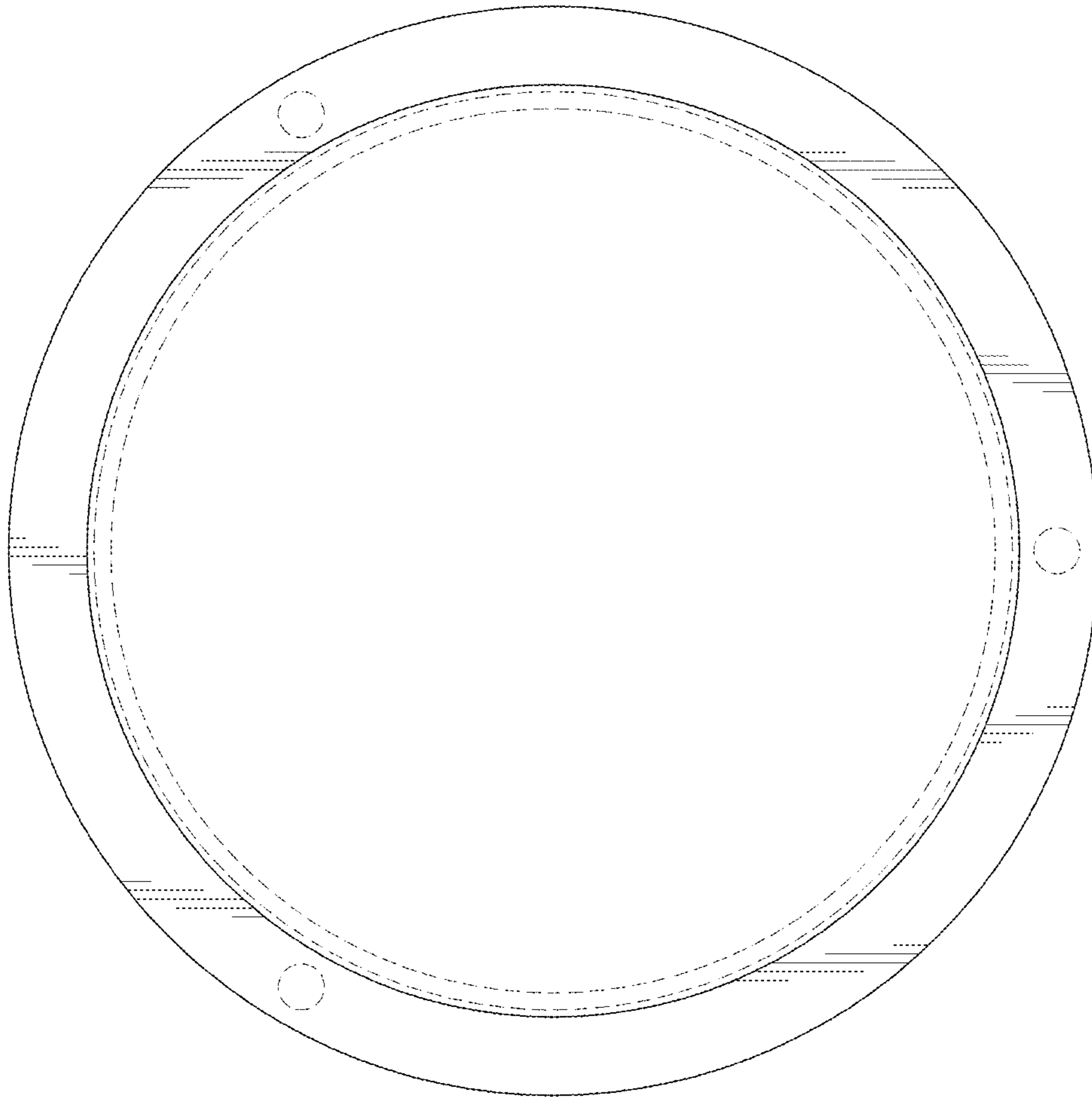


FIG. 7

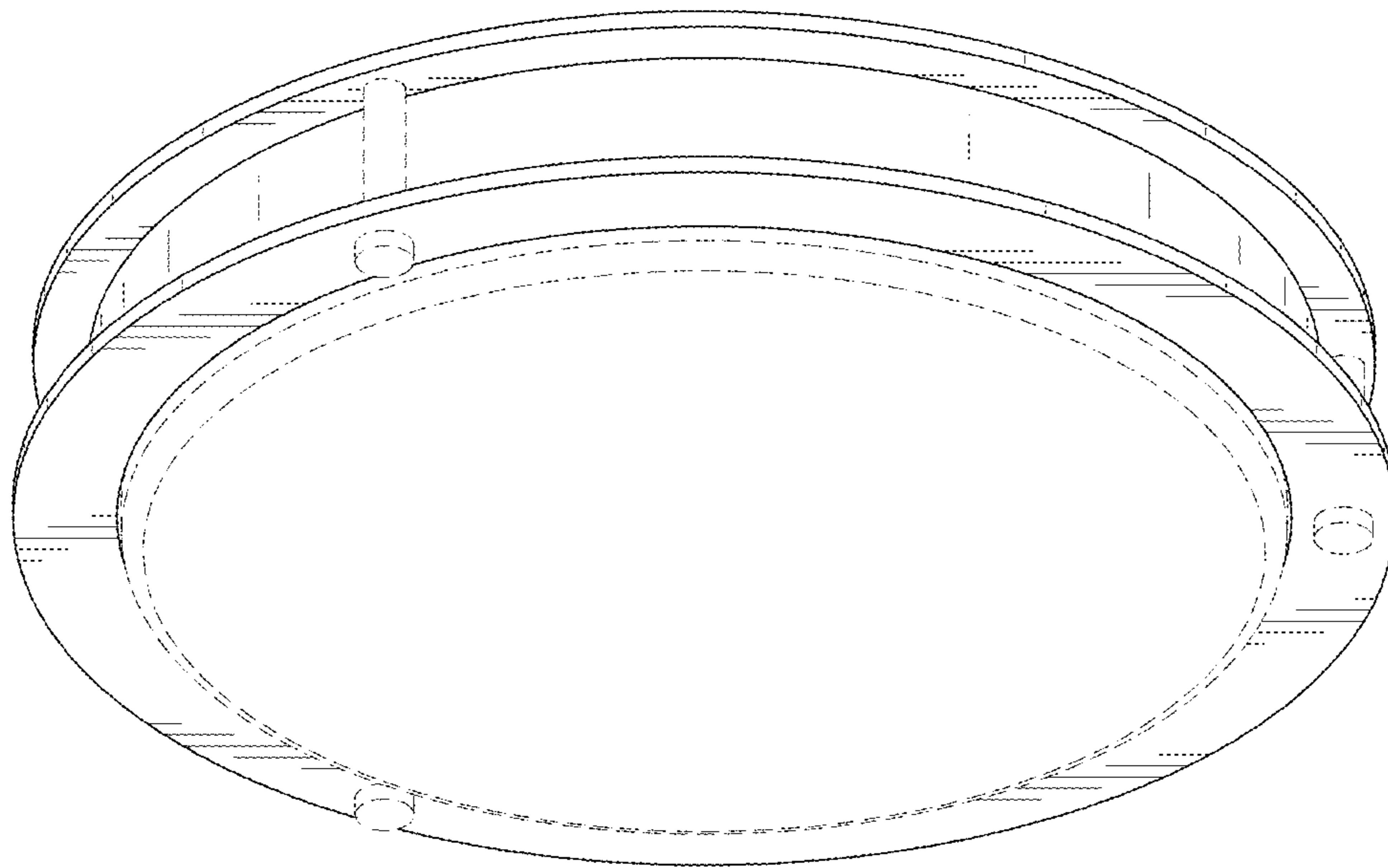


FIG. 8

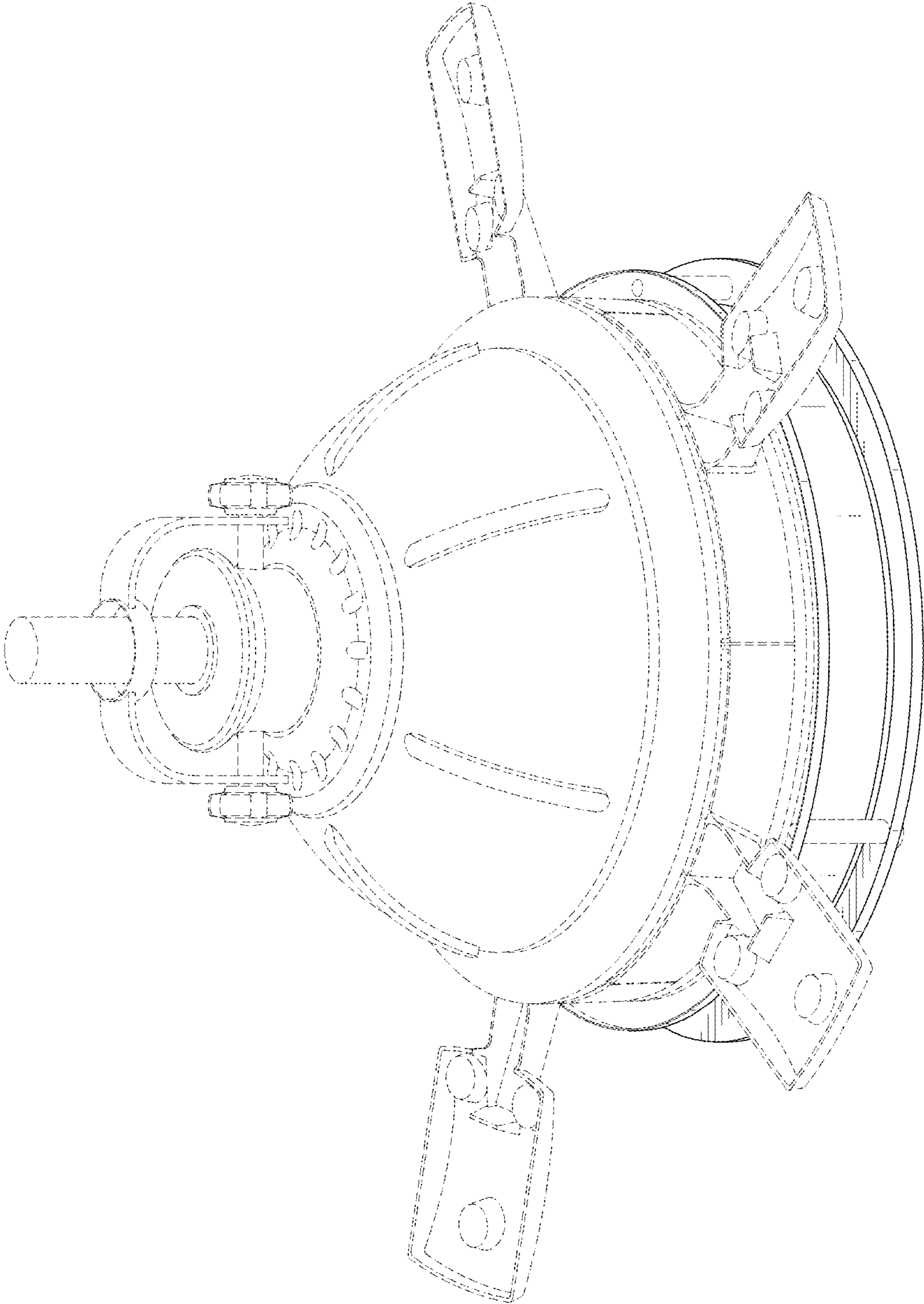


FIG. 9