



US00D971398S

(12) **United States Design Patent**
Haaf et al.

(10) **Patent No.:** **US D971,398 S**

(45) **Date of Patent:** **** Nov. 29, 2022**

- (54) **FAN WHEEL OF AN AXIAL FAN**
- (71) Applicant: **ebm-papst Mulfingen GmbH & Co. KG, Mulfingen (DE)**
- (72) Inventors: **Oliver Haaf, Kupferzell (DE); Thorsten Pissarczyk, Gemmingen (DE)**
- (73) Assignee: **ebm-papst Mulfingen GmbH & Co. KG, Mulfingen (DE)**
- (**) Term: **15 Years**
- (21) Appl. No.: **29/703,610**
- (22) Filed: **Aug. 28, 2019**
- (30) **Foreign Application Priority Data**

D884,874 S *	5/2020	Meng	F04D 29/667 D23/413
2007/0031257 A1 *	2/2007	Suzuki	F04D 29/681 416/182
2012/0171042 A1 *	7/2012	Takeda	F04D 29/32 416/223 R
2016/0177968 A1 *	6/2016	Gebert	F04D 29/384 416/236 R
2018/0355885 A1 *	12/2018	Kim	F04D 29/667
2019/0120253 A1 *	4/2019	Nakashima	F04D 29/667
2019/0226492 A1 *	7/2019	Krishnaswami	F04D 29/384
2019/0301471 A1 *	10/2019	Wang	F04D 19/002
2020/0284268 A1 *	9/2020	Haaf	F04D 19/002

* cited by examiner

Primary Examiner — Sharon S Oum

(74) *Attorney, Agent, or Firm* — Harness, Dickey & Pierce, P.L.C.

- Mar. 4, 2019 (EM) 006277109-002
- (51) **LOC (13) Cl.** **23-04**
- (52) **U.S. Cl.**
USPC **D23/379; D23/413**
- (58) **Field of Classification Search**
USPC D23/328, 332, 333, 370–383, 385,
D23/335–337, 341, 351, 352, 354,
D23/411–414
CPC .. F04D 25/084; F04D 25/086; F04D 25/0673;
F04D 29/646; F04D 25/08; F04D 29/32;
F04D 29/52; F04D 29/324; F04D 29/38
See application file for complete search history.

(57) **CLAIM**

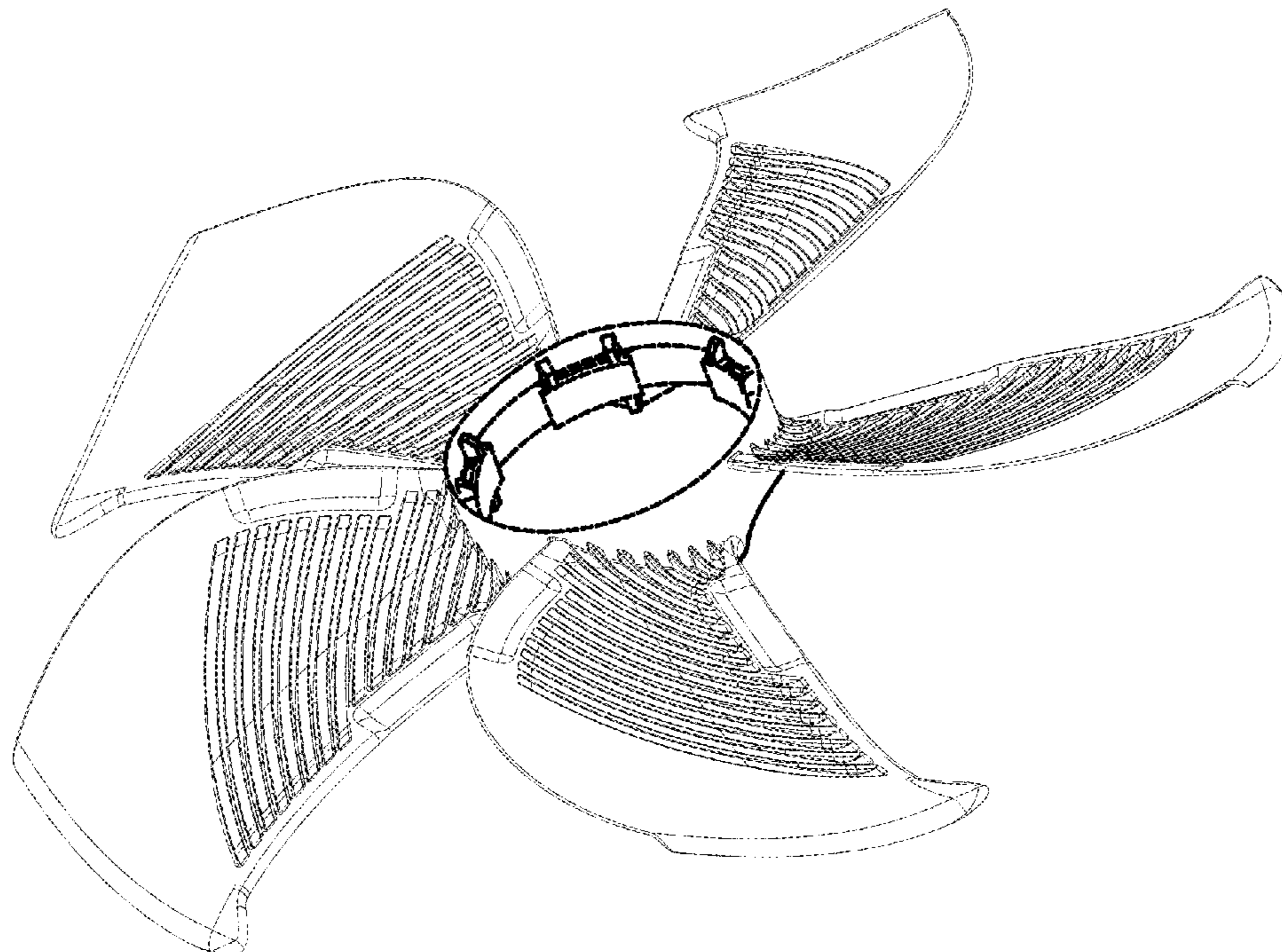
The ornamental design for a fan wheel of an axial fan, as shown and described.

DESCRIPTION

FIG. 1 is a top plan view of the fan wheel of an axial fan; FIG. 2 is a rear perspective view thereof; FIG. 3 is a side elevation view thereof; and, FIG. 4 is another side elevation view thereof. The broken lines illustrate portions of the fan wheel of an axial fan that form no part of the claimed design.

- (56) **References Cited**
U.S. PATENT DOCUMENTS
D131,271 S * 2/1942 Collura D23/413
D808,003 S * 1/2018 Gebert D23/379

1 Claim, 3 Drawing Sheets



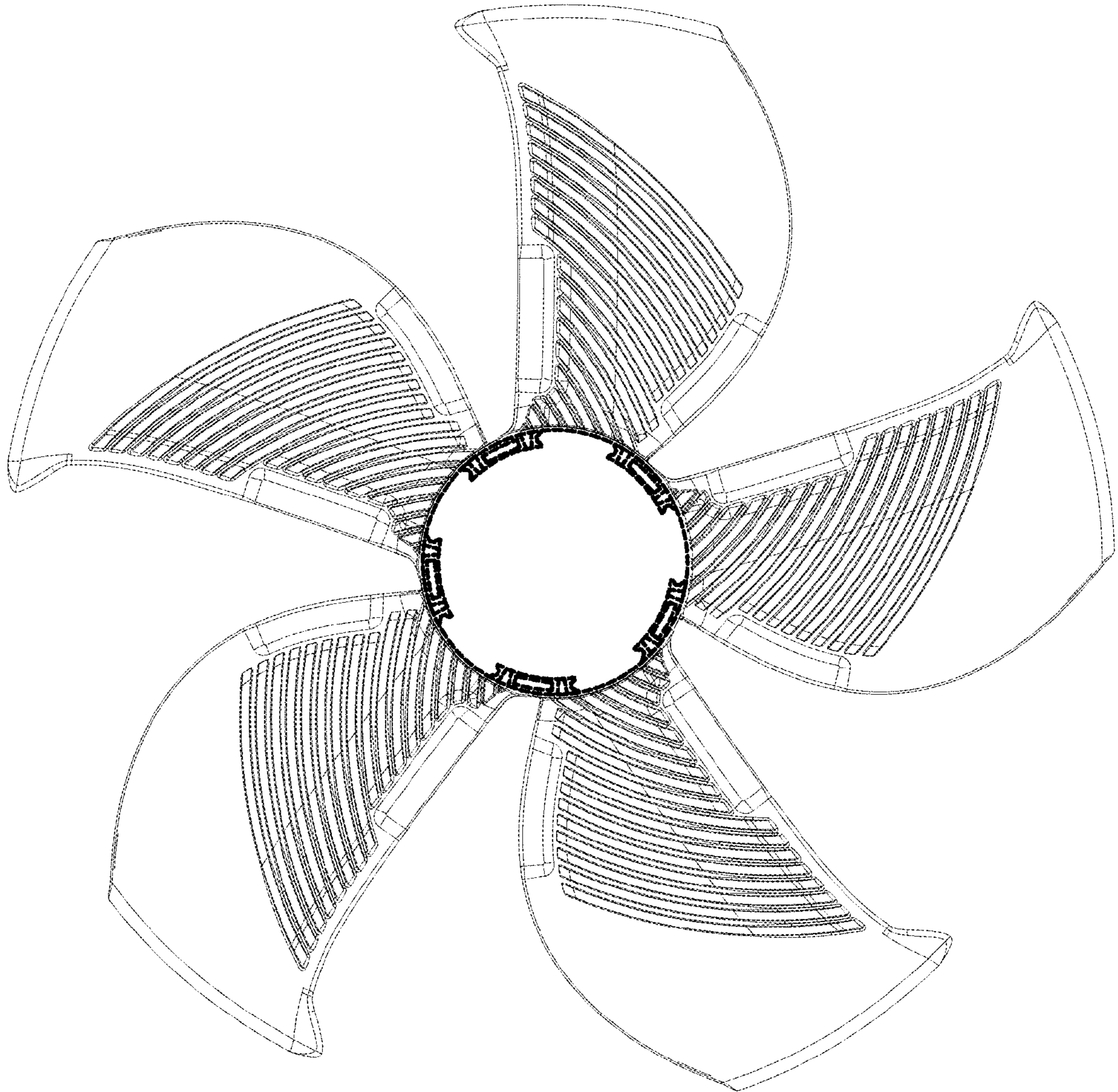


FIG. 1

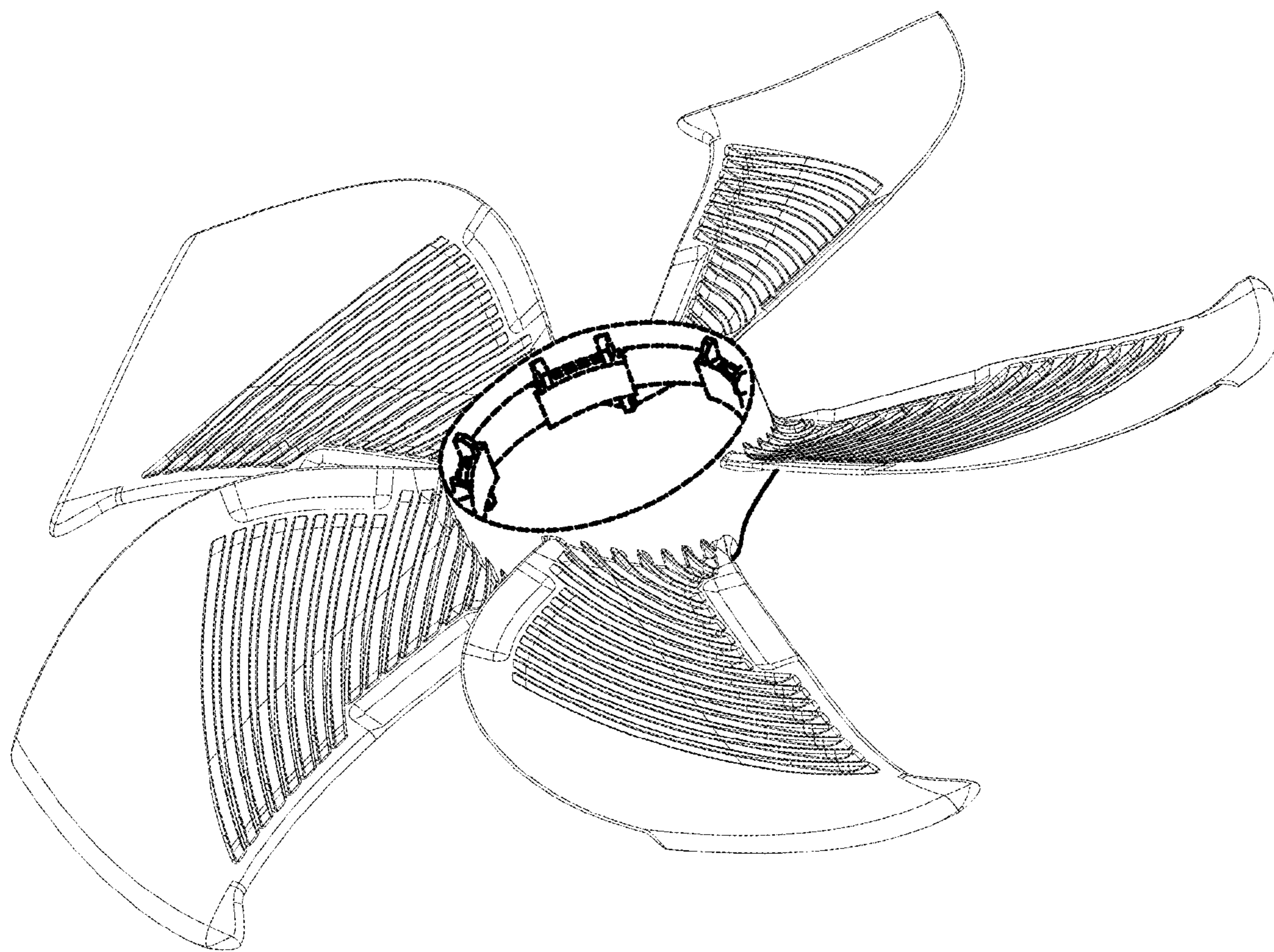


FIG. 2

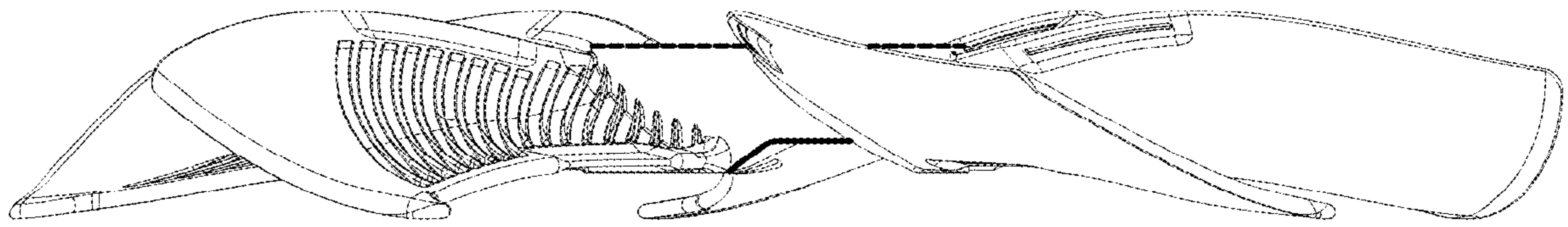


FIG. 3

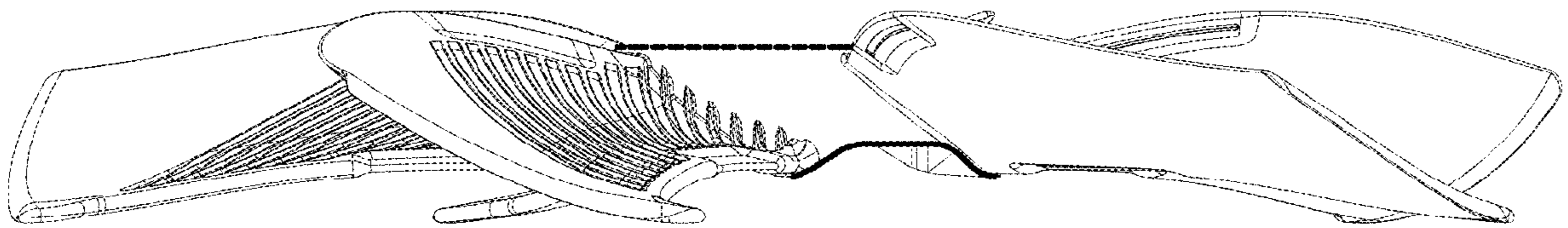


FIG. 4