



US00D971397S

(12) **United States Design Patent**
Lintner

(10) **Patent No.:** **US D971,397 S**

(45) **Date of Patent:** **** Nov. 29, 2022**

(54) **CEILING FAN**

(71) Applicant: **HUNTER FAN COMPANY,**
Memphis, TN (US)

(72) Inventor: **Brian Earl Lintner,** Winnetka, IL (US)

(73) Assignee: **Hunter Fan Company,** Memphis, TN
(US)

(**) Term: **15 Years**

(21) Appl. No.: **29/752,817**

(22) Filed: **Sep. 29, 2020**

(51) **LOC (13) Cl.** **23-04**

(52) **U.S. Cl.**
USPC **D23/377**

(58) **Field of Classification Search**
USPC D23/370, 377, 379, 385, 411-414;
D26/59

CPC F04D 25/088; F04D 29/38; F04D 29/384;
F04D 29/386; F21V 33/0096

See application file for complete search history.

(56) **References Cited**

U.S. PATENT DOCUMENTS

5,554,006	A *	9/1996	Liao	F04D 29/384
					416/243
5,899,663	A *	5/1999	Feder	F04D 29/34
					416/5
D478,976	S *	8/2003	Young	D23/377
D483,463	S *	12/2003	Tai	D23/377
D535,421	S	1/2007	Pickett		
D679,797	S	4/2013	Chen		
D804,011	S	11/2017	Holmes et al.		
D804,632	S *	12/2017	Holmes	D23/377
D804,636	S *	12/2017	Guthrie	D26/59
D804,637	S *	12/2017	Holmes	D26/59
D805,174	S	12/2017	Guthrie		
D807,488	S	1/2018	McRoberts		
D809,118	S	1/2018	Guthrie et al.		
D810,921	S	2/2018	McRoberts		

D825,051	S	8/2018	Guthrie et al.		
D873,988	S	1/2020	Biancuzzo		
D878,541	S	3/2020	Holmes et al.		
D936,815	S *	11/2021	McRoberts	D23/377
D945,595	S *	3/2022	Biancuzzo	D23/382
D946,741	S *	3/2022	Martell	D23/377

(Continued)

OTHER PUBLICATIONS

<https://www.homedepot.com/p/Hampton-Bay-Stoneridge-52-in-LED-Indoor-Outdoor-Bronze-Hugger-Ceiling-Fan-with-Light-Kit-51974/308693492>, Hampton Bay Stoneridge 52 in. LED indoor/outdoor Hugger Ceiling Fan with Light Kit, Model No. 51974, accessed Mar. 26, 2020.

(Continued)

Primary Examiner — Sharon S Oum

(74) *Attorney, Agent, or Firm* — McGarry Bair PC

(57) **CLAIM**

The ornamental design for a ceiling fan, as shown and described.

DESCRIPTION

FIG. 1 is a top perspective view of a ceiling fan, showing my new design.

FIG. 2 is a bottom perspective view thereof;

FIG. 3 is a top view thereof;

FIG. 4 is a bottom view thereof;

FIG. 5 is a front view thereof;

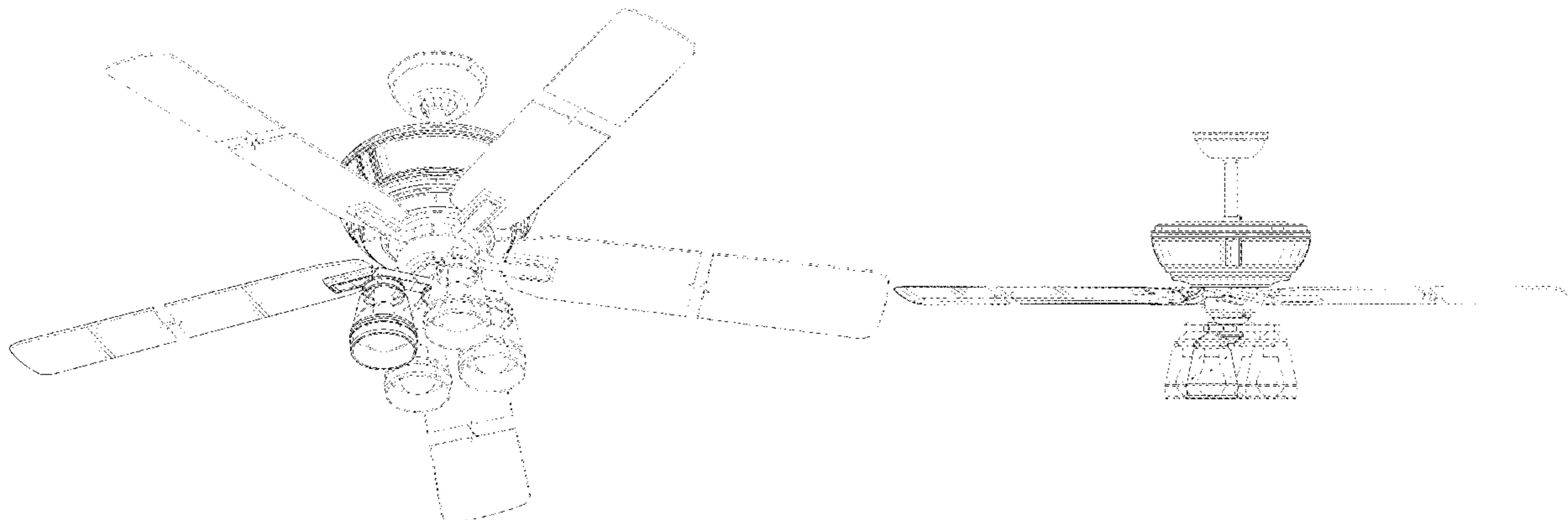
FIG. 6 is a rear view thereof;

FIG. 7 is a right-side view thereof; and,

FIG. 8 is a left-side view thereof.

The broken lines illustrate portions of the ceiling fan that form no part of the claimed design. The ceiling fan blades are shown with a symbolic break in their length. The appearance of any portion of the ceiling fan blades between the break lines forms no part of the claimed design.

1 Claim, 8 Drawing Sheets



(56)

References Cited

U.S. PATENT DOCUMENTS

2020/0224671 A1* 7/2020 Norwood F04D 25/088
2021/0199131 A1* 7/2021 Botkin F04D 25/088

OTHER PUBLICATIONS

<https://www.craftmade.com/pro-215-c215>, Craftmade Pro 215 Customizable Ceiling Fan with Light, Model No. C215, accessed Mar. 26, 2020.

https://quoruminternational.com/search_individual_result.asp?current=1003441&page=1, Quorum Breeze 52" 4 Light Ceiling Fan, Item No. 7052-465, accessed Mar. 26, 2020.

<https://www.hunterfan.com/ceiling-fans/hartland-with-light-52-inch-famc86>, Hunter Hartland 52 Inch Ceiling Fan with Light, Item No. 50311, accessed Mar. 26, 2020.

<https://www.hunterfan.com/ceiling-fans/bennett-with-3-lights-52-inch-fam788>, Hunter Bennett 52 inch Ceiling Fan with 3 Lights, Item No. 54189, accessed Mar. 26, 2020.

<https://www.craftmade.com/kate-kte52>, Craftmade Kate 52" Ceiling Fan with Blades and Light Kit, Model No. KTE52, accessed Mar. 26, 2020.

* cited by examiner

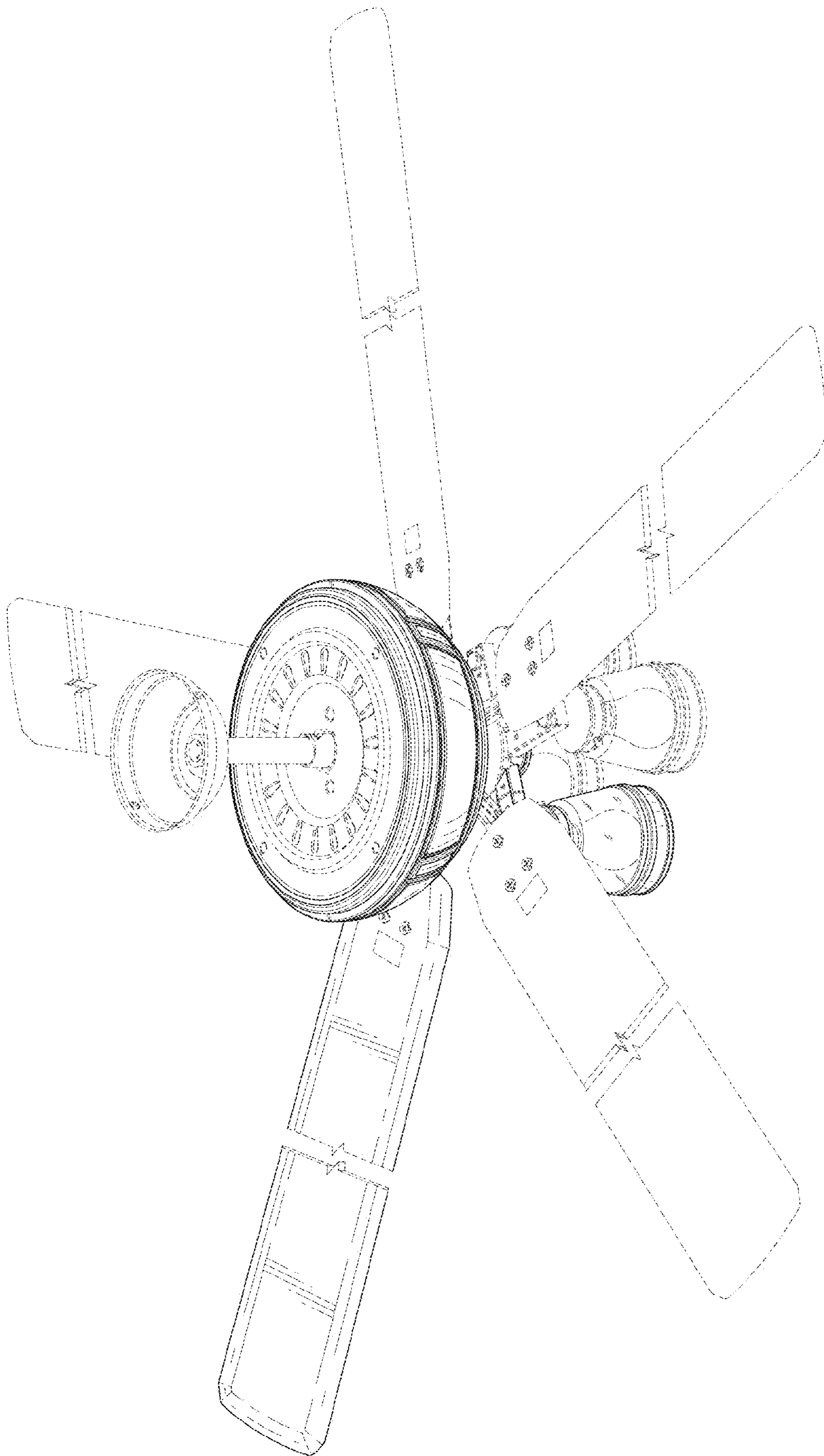


FIG. 1

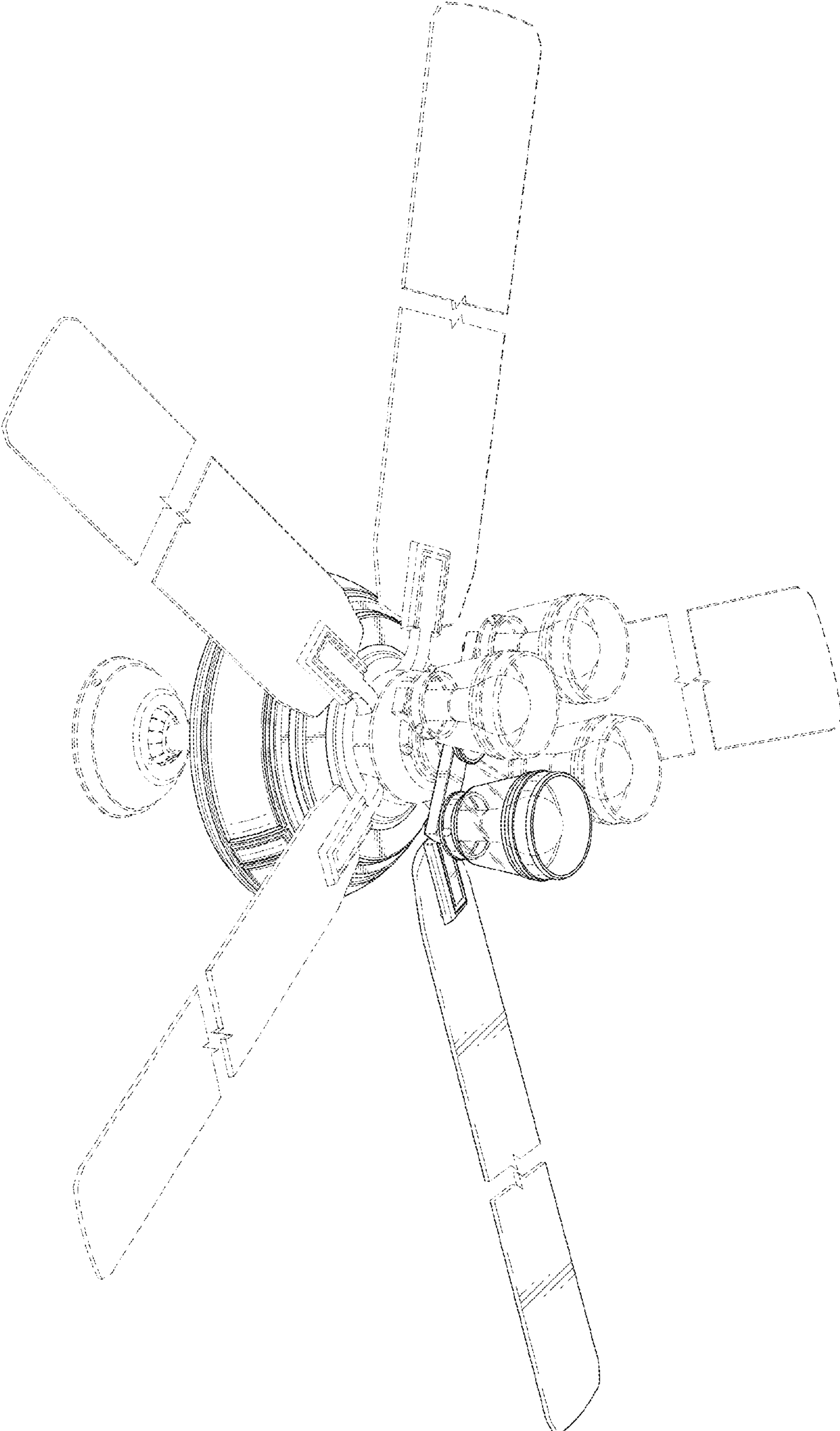


FIG. 2

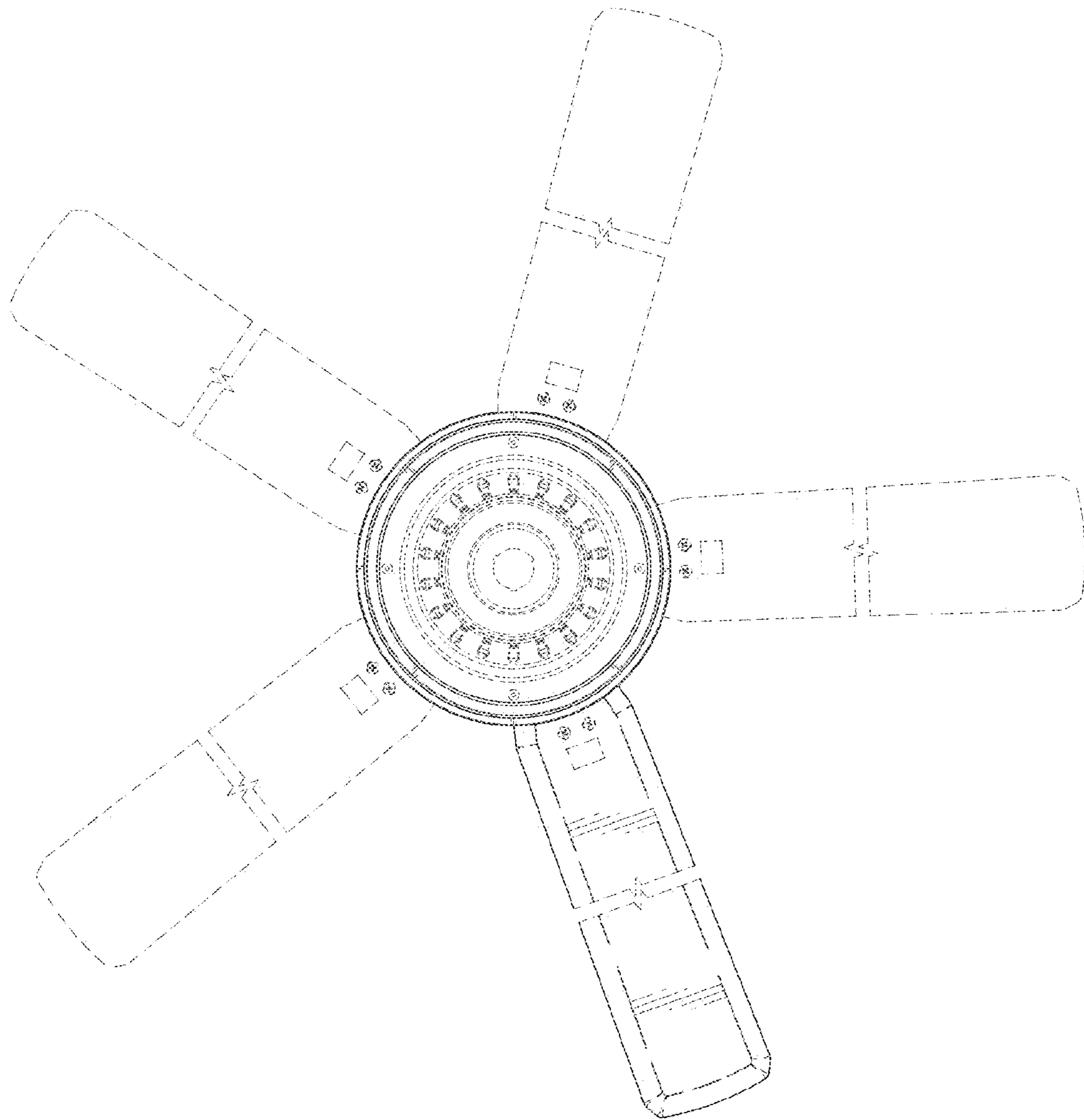


FIG. 3

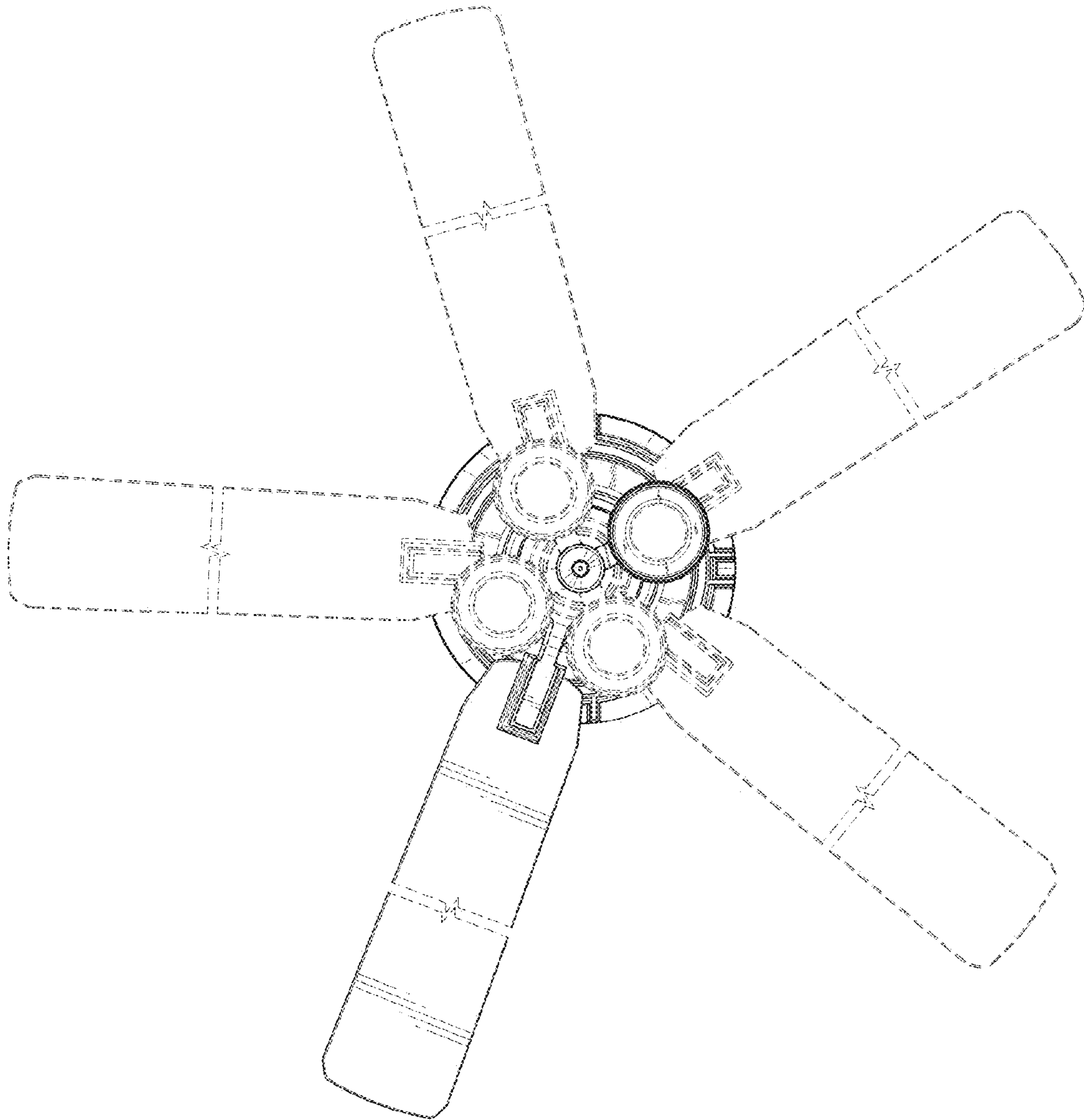


FIG. 4

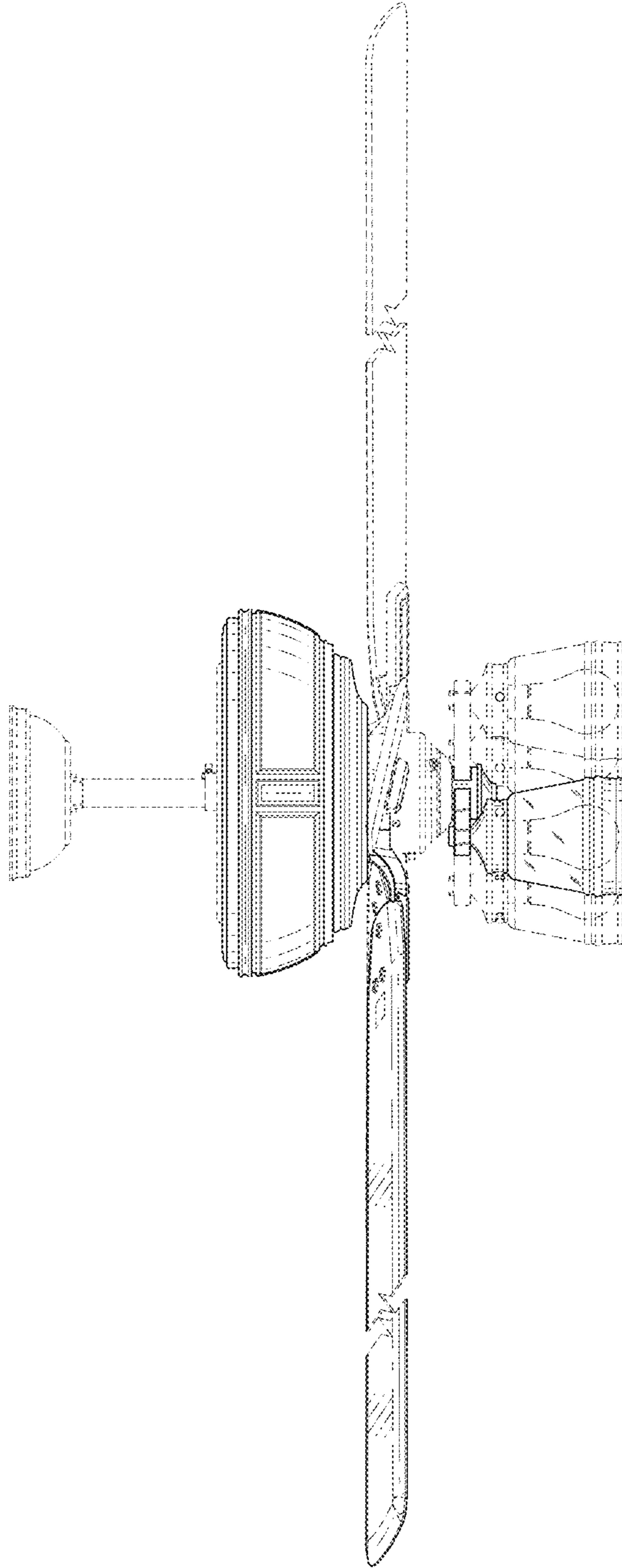


FIG. 5

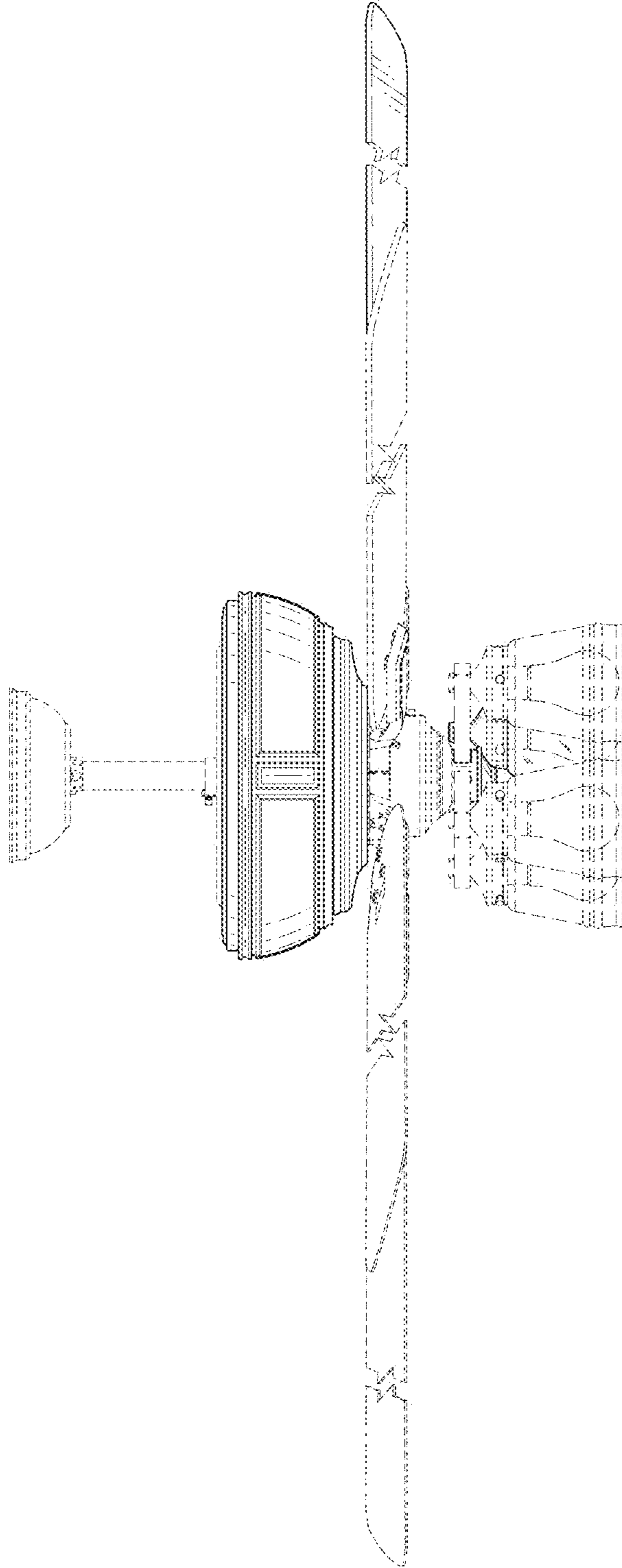


FIG. 6

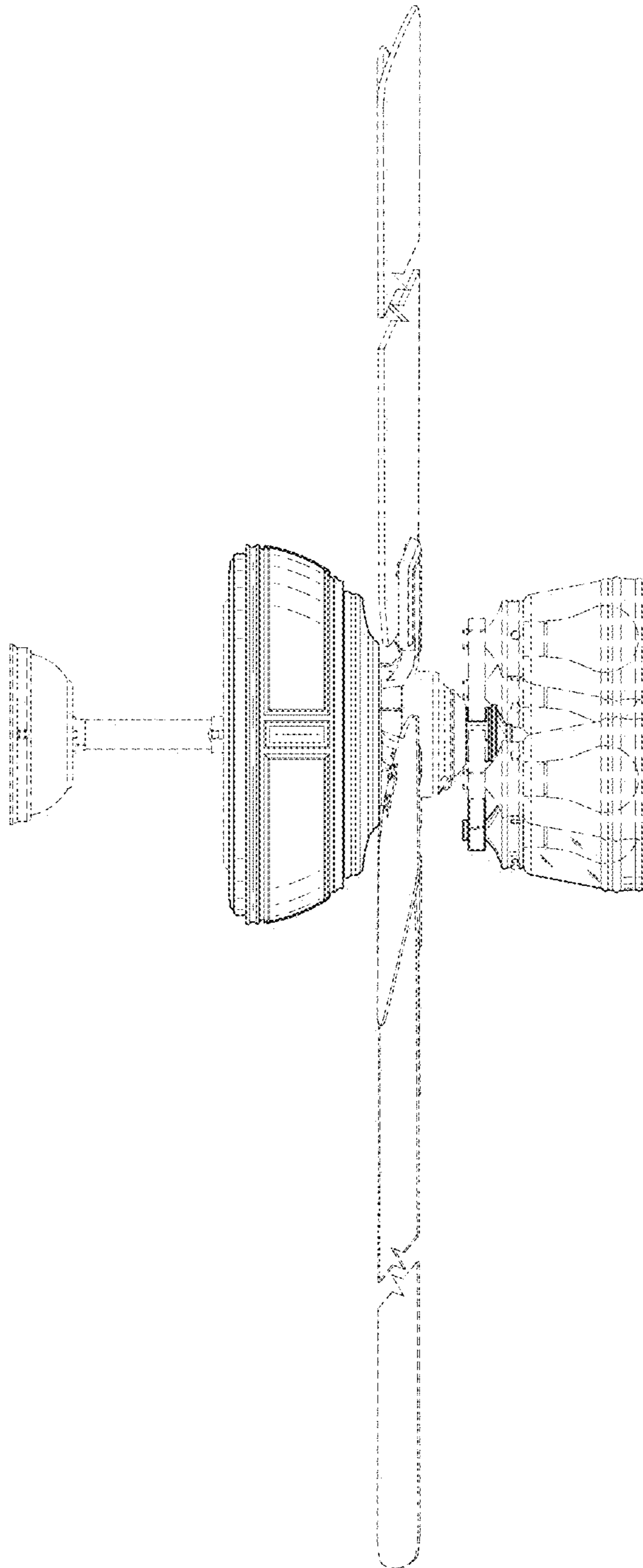


FIG. 7

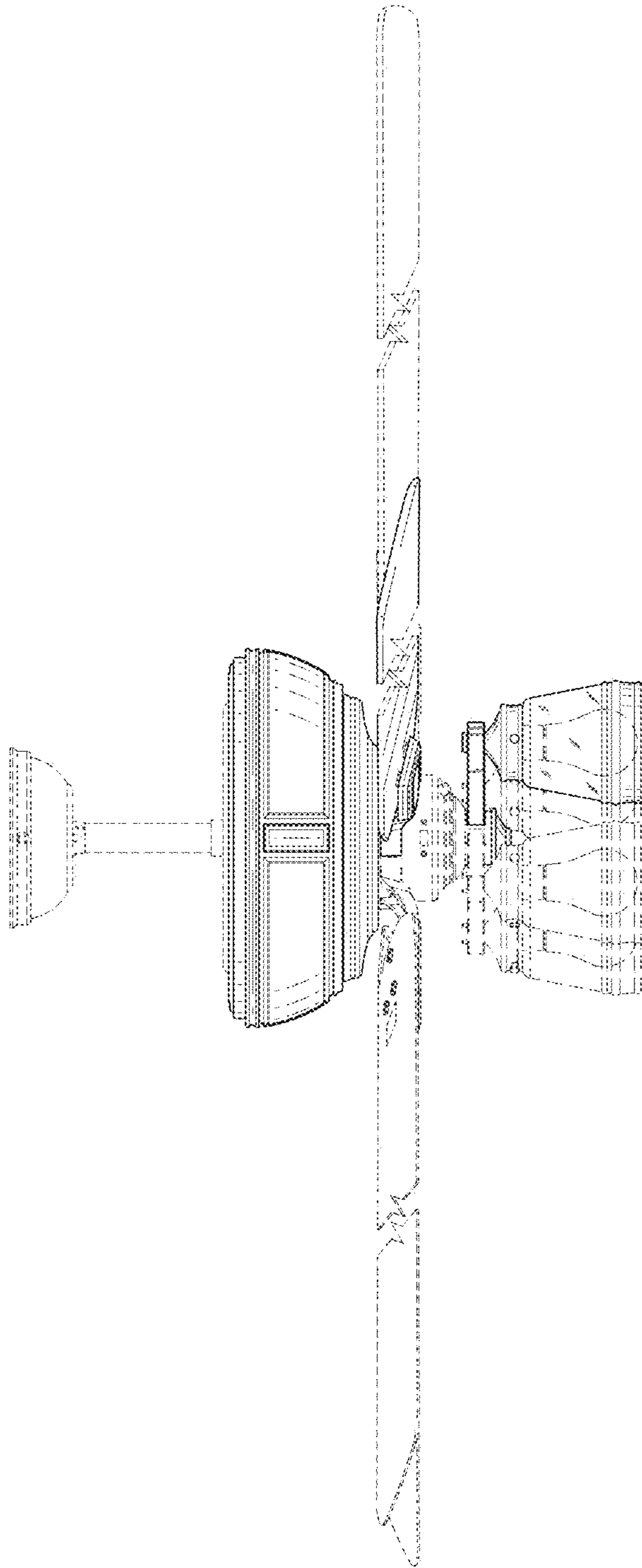


FIG. 8