



US00D971390S

(12) **United States Design Patent**  
**Gubin**

(10) **Patent No.:** **US D971,390 S**

(45) **Date of Patent:** **\*\* Nov. 29, 2022**

(54) **CONVECTOR**

(71) Applicant: **Vladimir Gritchyn**, Cheboksary (RU)

(72) Inventor: **Sergey Gubin**, Kazan (RU)

(\*\*) Term: **15 Years**

(21) Appl. No.: **35/511,996**

(22) Filed: **May 21, 2021**

(80) **Hague Agreement Data**

Int. Filing Date: **May 21, 2021**

Int. Reg. No.: **DM/214579**

Int. Reg. Date: **May 21, 2021**

Int. Reg. Pub. Date: **Jun. 11, 2021**

(30) **Foreign Application Priority Data**

Dec. 4, 2020 (RU) ..... RU2020505924

(51) **LOC (13) Cl.** ..... **23-03**

(52) **U.S. Cl.**  
USPC ..... **D23/330; D7/407**

(58) **Field of Classification Search**  
USPC ..... D7/300, 300.2, 302, 306, 311, 318, 319,  
D7/323, 337, 350.1, 354, 358, 381, 407,  
D7/416, 510, 511, 524, 530, 536, 554.2,  
D7/562, 598, 605, 608, 622, 609, 650,  
D7/709; D23/330, 341  
CPC . A23G 23/00; A23L 5/10; A47G 23/00; A47J  
43/28; B24B 9/12; Y10S 215/05; Y10S  
215/06; A63H 33/3055  
See application file for complete search history.

(56) **References Cited**

U.S. PATENT DOCUMENTS

D53,525 S \* 7/1919 Easterman ..... F28D 1/0246  
D23/330  
1,497,033 A \* 6/1924 Sinclair ..... A21B 3/13  
D7/354

D81,895 S \* 8/1930 Skold ..... D23/335  
1,863,056 A \* 6/1932 Kuenstler ..... F28D 1/0246  
165/130  
2,189,450 A \* 2/1940 Robinson ..... A47G 23/00  
211/49.1  
2,917,218 A \* 12/1959 Guyer ..... A21B 3/131  
D7/354  
D275,257 S \* 8/1984 Rattner ..... D7/387  
D329,691 S \* 9/1992 Soderberg ..... D23/330  
D371,429 S \* 7/1996 Ternlind ..... D23/386  
D382,048 S \* 8/1997 Bennett ..... D23/335  
D386,044 S \* 11/1997 Stuck ..... D7/332  
D388,280 S \* 12/1997 Kessler ..... D7/416  
D394,695 S \* 5/1998 Blais ..... D23/389  
6,990,825 B2 \* 1/2006 Hansen ..... F24F 13/20  
62/285  
D520,134 S \* 5/2006 DePierro ..... D23/395  
D536,773 S \* 2/2007 Yeung ..... D23/330  
D541,103 S \* 4/2007 Rapaz ..... D7/354  
D563,717 S \* 3/2008 Rapaz ..... D7/354  
D620,570 S \* 7/2010 Thomas ..... D23/342  
D678,491 S \* 3/2013 Dong ..... D23/342  
D714,928 S \* 10/2014 Urano ..... D23/388

(Continued)

OTHER PUBLICATIONS

King Smart Heating Solutions Catalog, 2017, found on Jul. 31, 2022  
at [https://www.king-electric.com/wp-content/uploads/kel\\_product\\_files/menu/KING\\_2017\\_PARTS\\_BOOK\\_10.3.17.pdf](https://www.king-electric.com/wp-content/uploads/kel_product_files/menu/KING_2017_PARTS_BOOK_10.3.17.pdf) (Year: 2017).\*

(Continued)

*Primary Examiner* — Karen S Acker

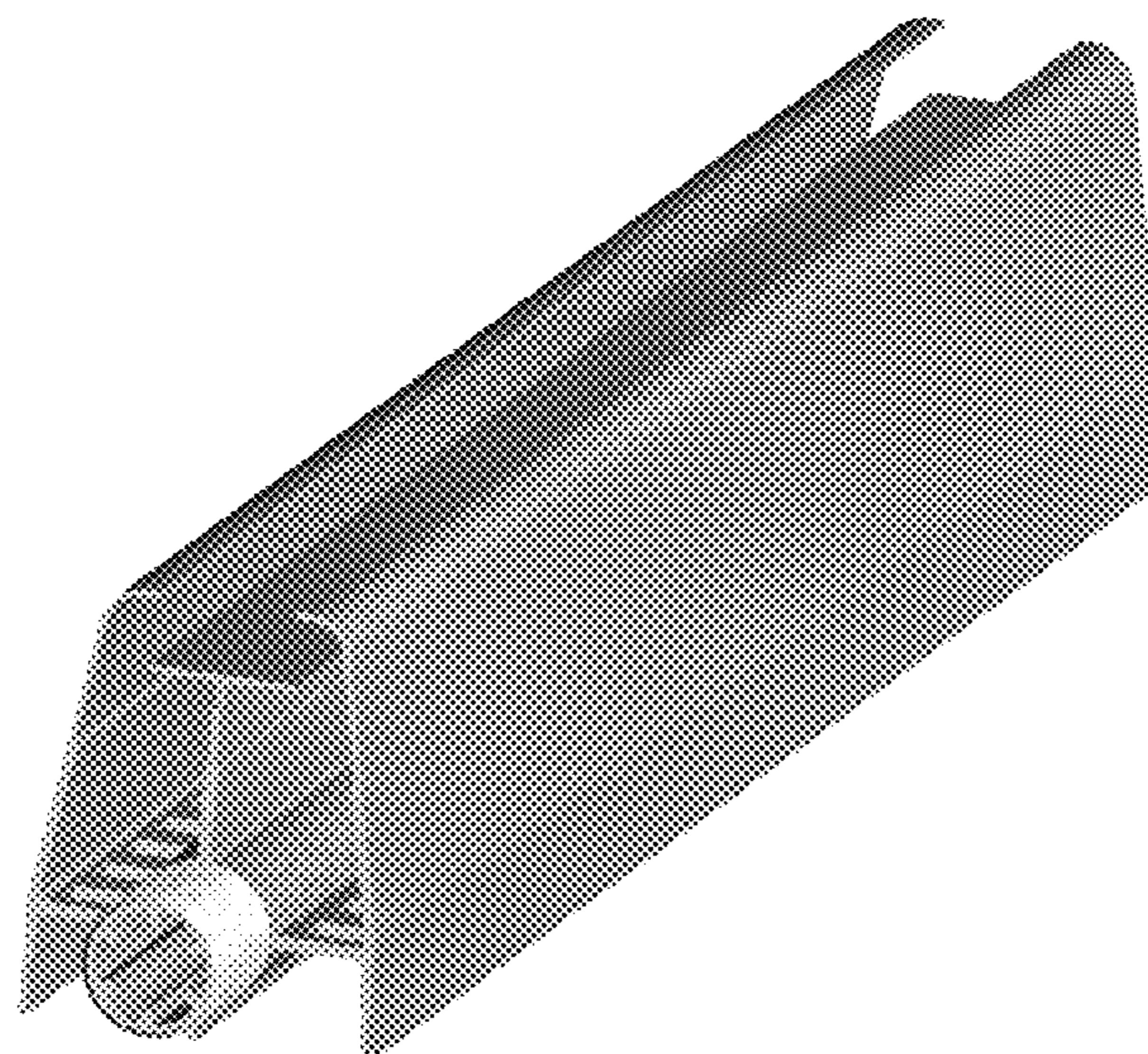
(57) **CLAIM**

The ornamental design for a convector, as shown and described.

**DESCRIPTION**

**1.1** is a top perspective view of a convector showing my new design, and  
**1.2** is a bottom perspective view thereof.

**1 Claim, 2 Drawing Sheets**



(56)

**References Cited**

U.S. PATENT DOCUMENTS

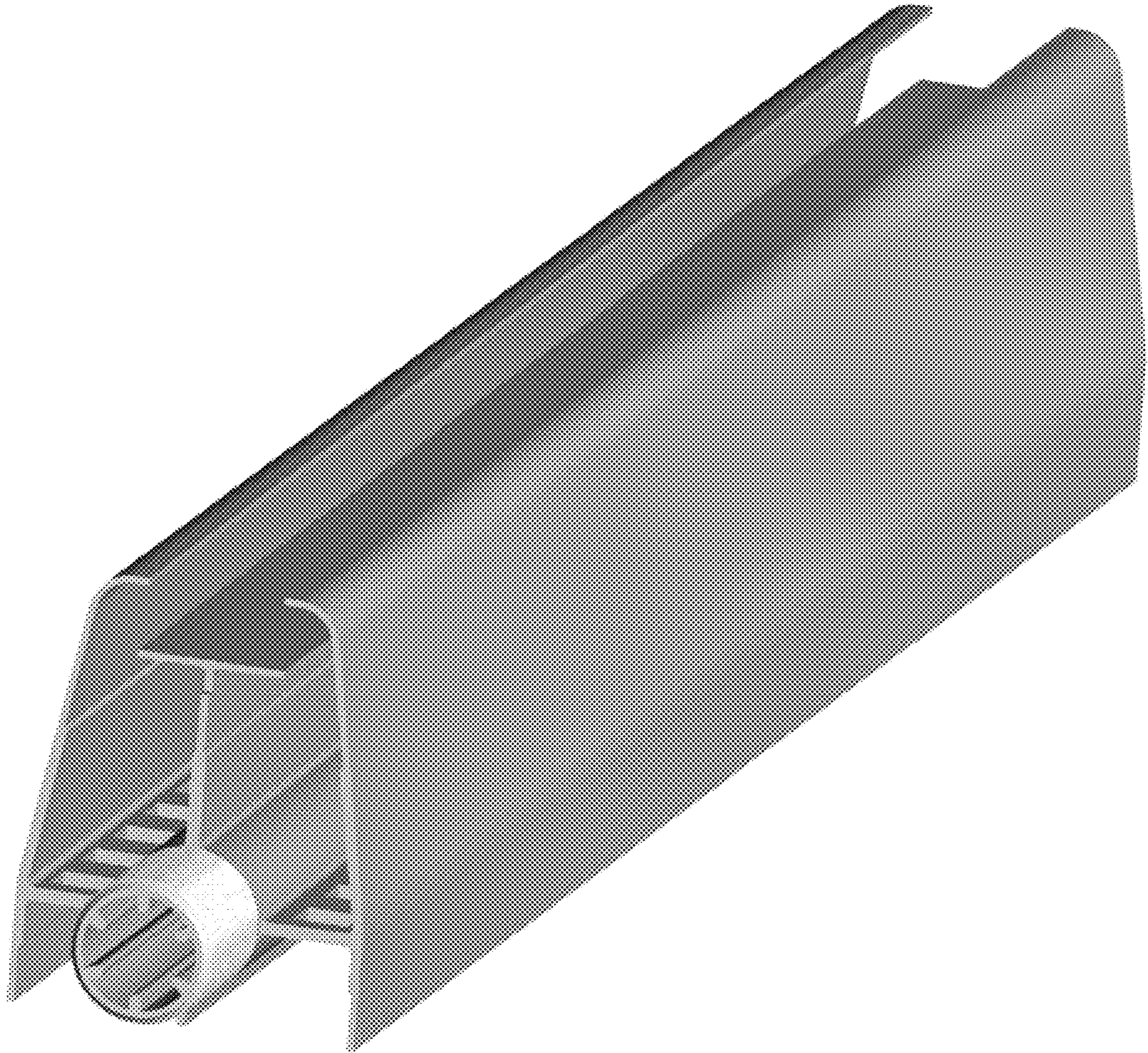
D715,416 S \* 10/2014 Marino ..... D23/342  
D730,504 S \* 5/2015 Chang ..... D23/330  
D732,873 S \* 6/2015 Kinney ..... D7/323  
D735,522 S \* 8/2015 Bleeker ..... A47G 23/00  
D757,240 S \* 5/2016 Forlong ..... D23/393  
D788,525 S \* 6/2017 Parrish ..... A23L 5/15  
D799,651 S \* 10/2017 Guilliard ..... D23/330  
D805,181 S \* 12/2017 Urano ..... D23/388  
D807,104 S \* 1/2018 Taylor ..... A21B 3/131  
D807,495 S \* 1/2018 Hirsch ..... D23/393  
D834,161 S \* 11/2018 Szolony ..... D23/330  
D862,983 S \* 10/2019 Pirani ..... D7/407  
D867,566 S \* 11/2019 Seo ..... D23/341  
D880,669 S \* 4/2020 Urano ..... D23/351  
D917,033 S \* 4/2021 Pellerin ..... F24F 13/20  
D918,373 S \* 5/2021 Urano ..... D23/388  
D947,332 S \* 3/2022 Zhang ..... D23/335  
2010/0087130 A1 \* 4/2010 Nitsche ..... B60H 1/00564  
454/76

OTHER PUBLICATIONS

Supply House Baseboard Element, 2018, found on Jul. 31, 2022 at  
[https://www.supplyhouse.com/Slant-Fin-101002030-E75-3-4-Baseboard-Element-3-Length?utm\\_source=google\\_ad&utm\\_medium=Shopping\\_ntm&utm\\_campaign=Shopping\\_NTM\\_New\\_users&gclid=EAIaIQobChMlw5qh8omk-QIVPwalCR0umgH7EAkYASABEgL\\_WfD\\_BwE](https://www.supplyhouse.com/Slant-Fin-101002030-E75-3-4-Baseboard-Element-3-Length?utm_source=google_ad&utm_medium=Shopping_ntm&utm_campaign=Shopping_NTM_New_users&gclid=EAIaIQobChMlw5qh8omk-QIVPwalCR0umgH7EAkYASABEgL_WfD_BwE) (Year: 2018).\*

\* cited by examiner

**1.1**



**1.2**

