



US00D971389S

(12) **United States Design Patent** (10) **Patent No.:** **US D971,389 S**
Pei (45) **Date of Patent:** **** Nov. 29, 2022**

(54) **PORTABLE TOILET SEAT**
(71) Applicant: **Shenzhen Zuoxian Technology Co., Ltd.**, Shenzhen (CN)
(72) Inventor: **Binjie Pei**, Shenzhen (CN)
(**) Term: **15 Years**
(21) Appl. No.: **29/730,872**
(22) Filed: **Apr. 9, 2020**
(51) **LOC (13) Cl.** **24-04**
(52) **U.S. Cl.**
USPC **D23/311**
(58) **Field of Classification Search**
USPC D23/295, 309, 311
CPC A47K 11/04
See application file for complete search history.

2016/0262585 A1* 9/2016 Brown A47K 17/02
2016/0287038 A1* 10/2016 Nelson A47C 5/10
2020/0352400 A1* 11/2020 Grendel A61H 1/00

FOREIGN PATENT DOCUMENTS

KR 300741281.0000 * 12/2013

OTHER PUBLICATIONS

Sharkooo Outdoor Folding Commode Portable Toilet Seat, first available Jun. 25, 2020[online], [site visited Sep. 2, 2021]. Available from internet, URL:<<https://www.amazon.com/Outdoor-Folding-Portable-Stainless-Traveling/dp/B08BTPY6MC>> (Year: 2020).*

(Continued)

Primary Examiner — Barbara Fox
Assistant Examiner — Jamaal Rasheed
(74) *Attorney, Agent, or Firm* — Rumit Ranjit Kanakia

(56) **References Cited**

U.S. PATENT DOCUMENTS

3,063,061 A * 11/1962 Bertram A47K 11/06
4/484
3,950,794 A * 4/1976 Dalton A47K 11/02
4/484
D355,710 S * 2/1995 Hostetler D23/299
D397,426 S * 8/1998 Woods D23/299
6,233,753 B1 * 5/2001 Battiston A47K 11/04
4/236
D507,045 S * 7/2005 Battiston D23/304
8,627,518 B1 * 1/2014 Lederer A47K 11/04
4/438
D882,051 S * 4/2020 Armstrong D23/299
2008/0168598 A1 * 7/2008 Cheng A47K 11/04
4/483
2010/0175178 A1 * 7/2010 Mrugala A47K 11/06
4/483
2011/0067739 A1 * 3/2011 Ma A47C 9/10
135/66
2011/0138529 A1 * 6/2011 Hsiao A47K 11/04
4/483

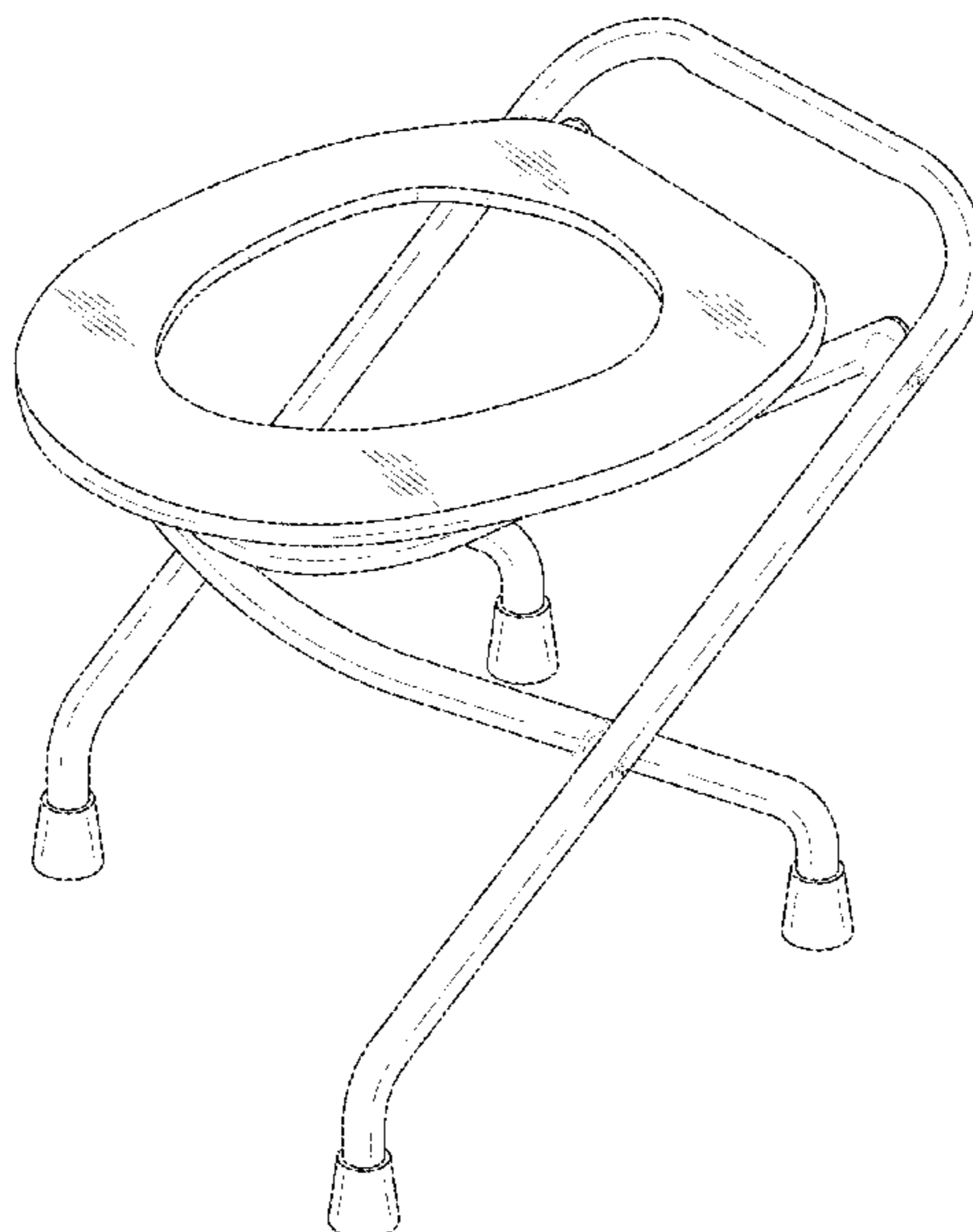
(57) **CLAIM**

I claim the ornamental design for a portable toilet seat, as shown and described.

DESCRIPTION

FIG. 1 is a perspective view of a portable toilet seat, showing my new design;
FIG. 2 is a front view thereof;
FIG. 3 is a back view thereof;
FIG. 4 is a left side view thereof;
FIG. 5 is a right side view thereof;
FIG. 6 is a top view thereof; and,
FIG. 7 is a bottom view thereof.
The broken lines shown in the figures depict portions of the portable toilet seat that form no part of the claimed design.

1 Claim, 7 Drawing Sheets



(56)

References Cited

OTHER PUBLICATIONS

Folding Commode Portable Toilet Seat, announced Date unavailable[online], [site visited Sep. 2, 2021]. Available from internet, URL: <<https://www.joom.com/en/products/5f1fec03a5694601065ff27c> website> (Year: 2021).*

BLIKA 16.5" High Stainless Steel Folding Portable Toilet Seat, Outdoor Portable Toilet with Lid and Carry Bag, Camp Toilet Seat Perfect for Camping, Boating, Traveling & Roadtripping, <https://www.amazon.com/dp/B085ZVTG2L>.

BLIKA 16.5" High Stainless Steel Folding Commode Portable Toilet Seat, Commode Chair with Lid, Camp Toilet Seat Perfect for Camping, Hiking, Trips, Construction Sites, <https://www.amazon.com/BLIKA-Stainless-Portable-Converts-Construction/dp/B07TP6VNF4/>.

* cited by examiner

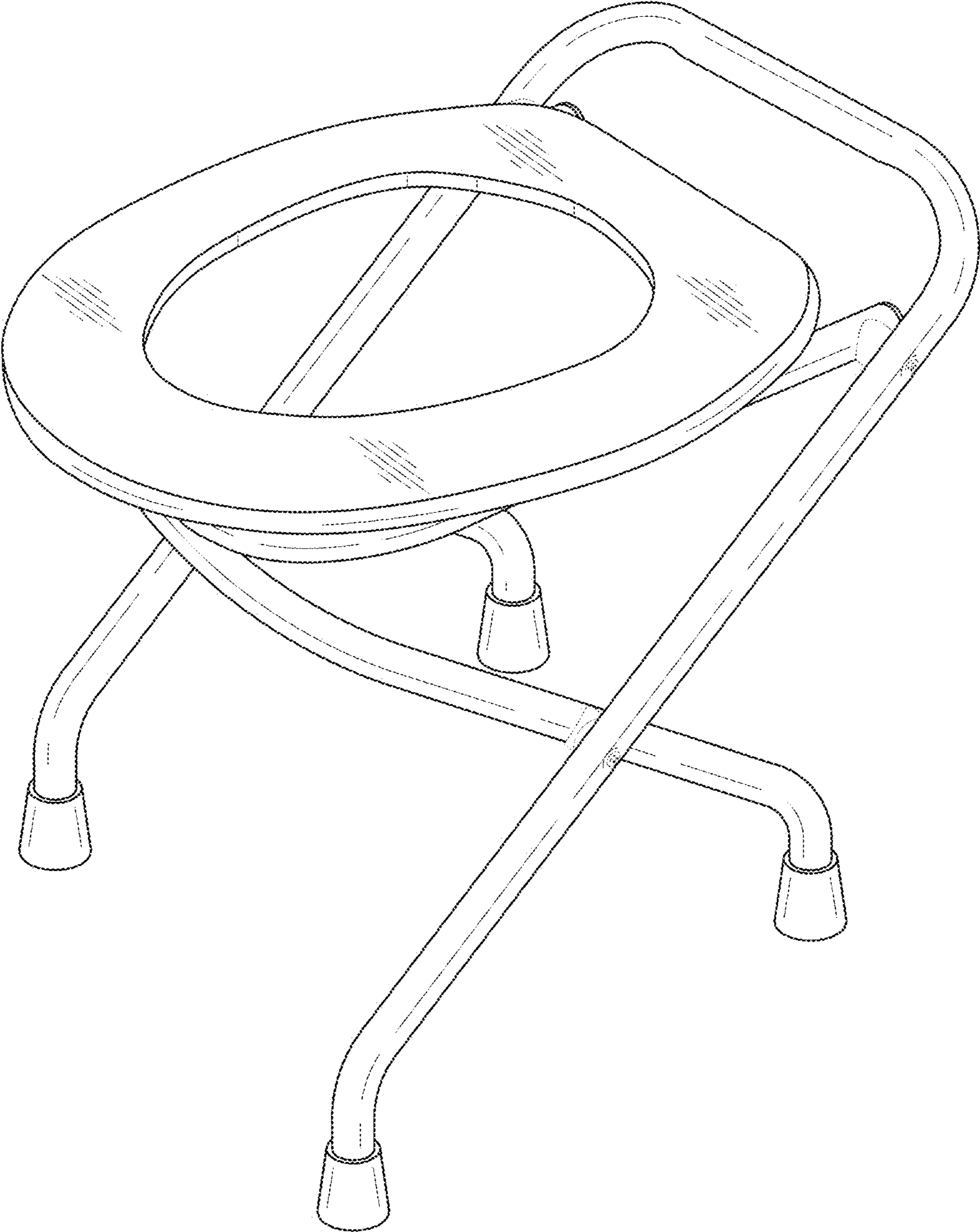


FIG. 1

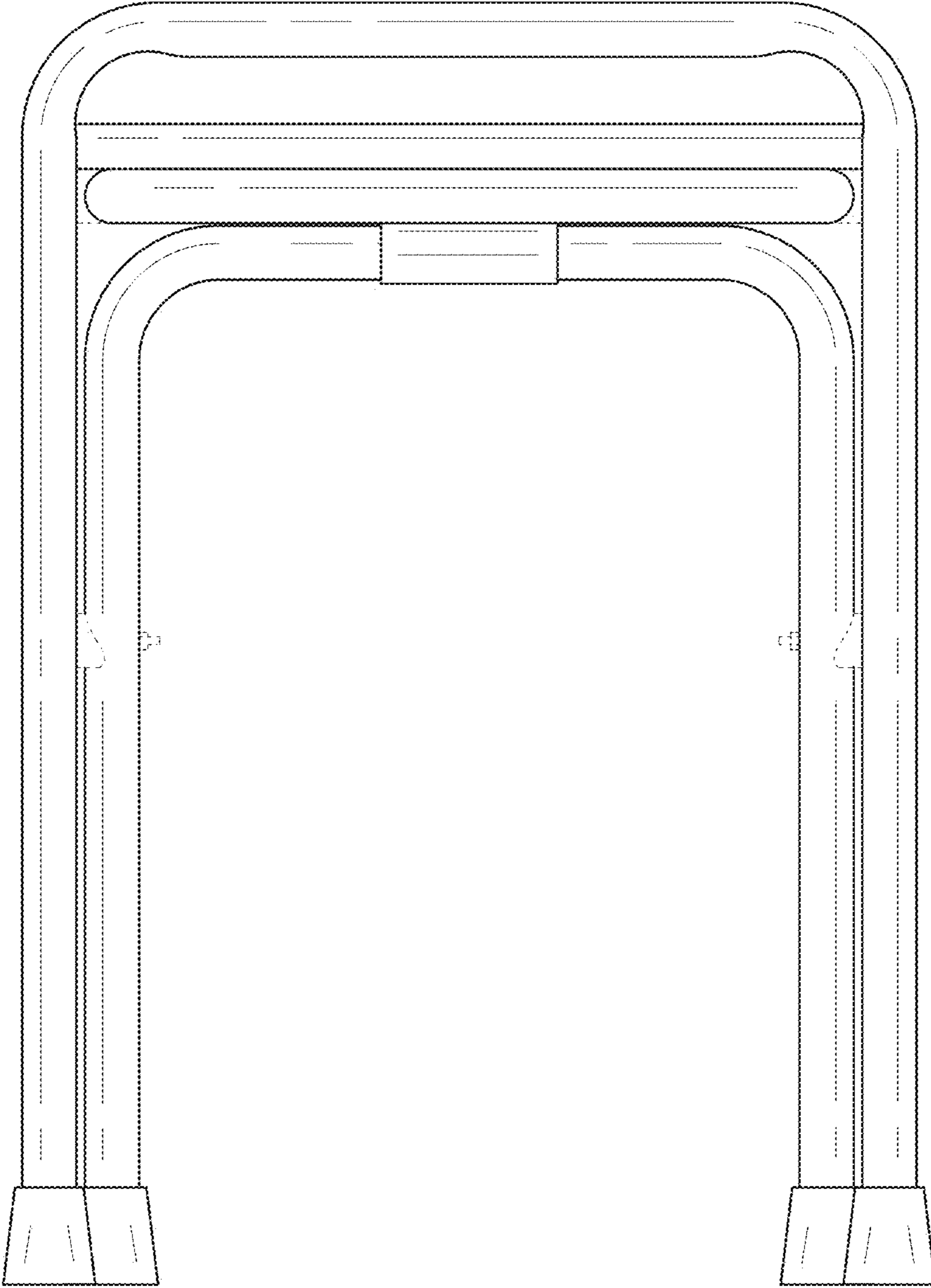


FIG. 2

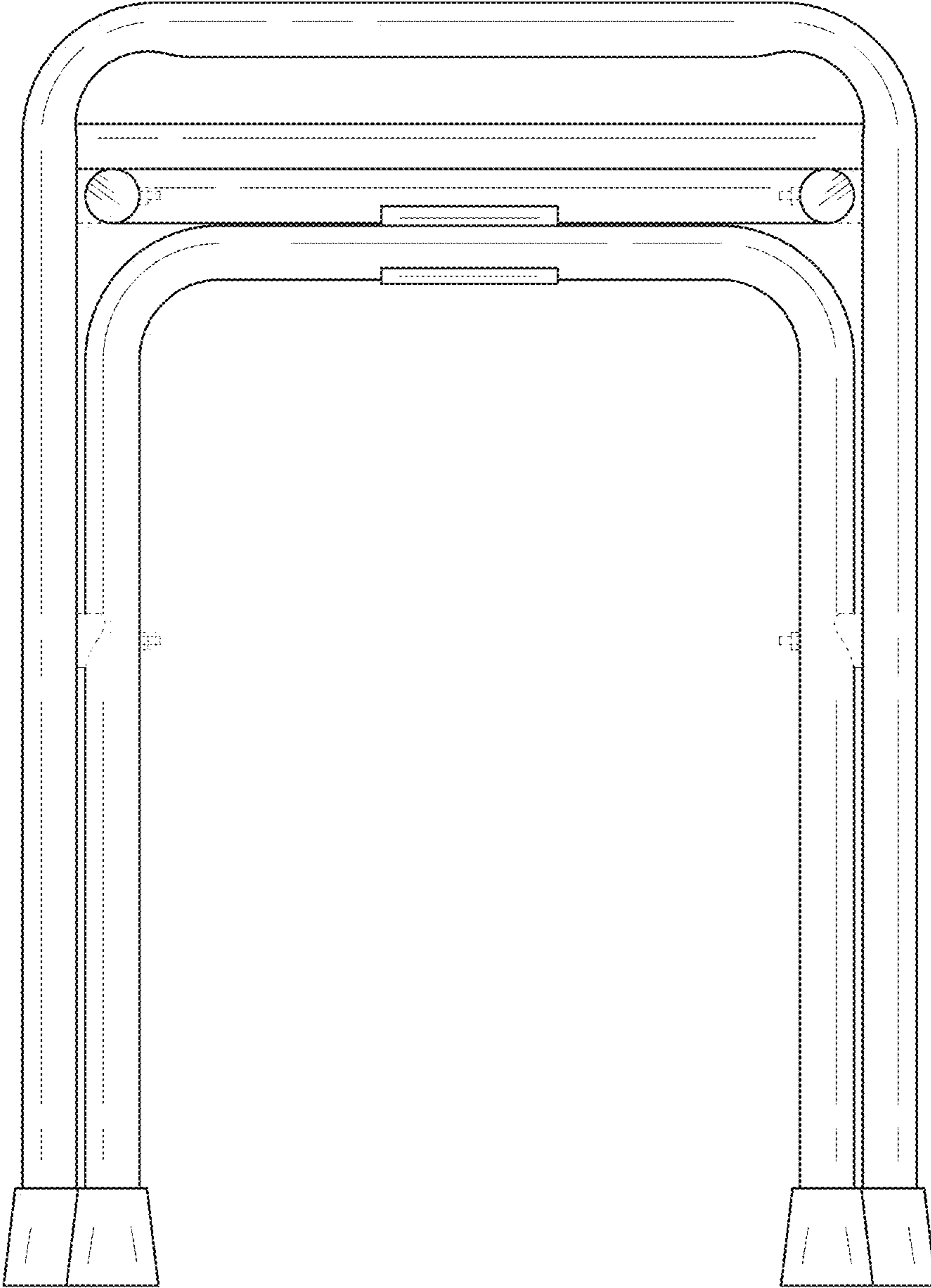


FIG. 3

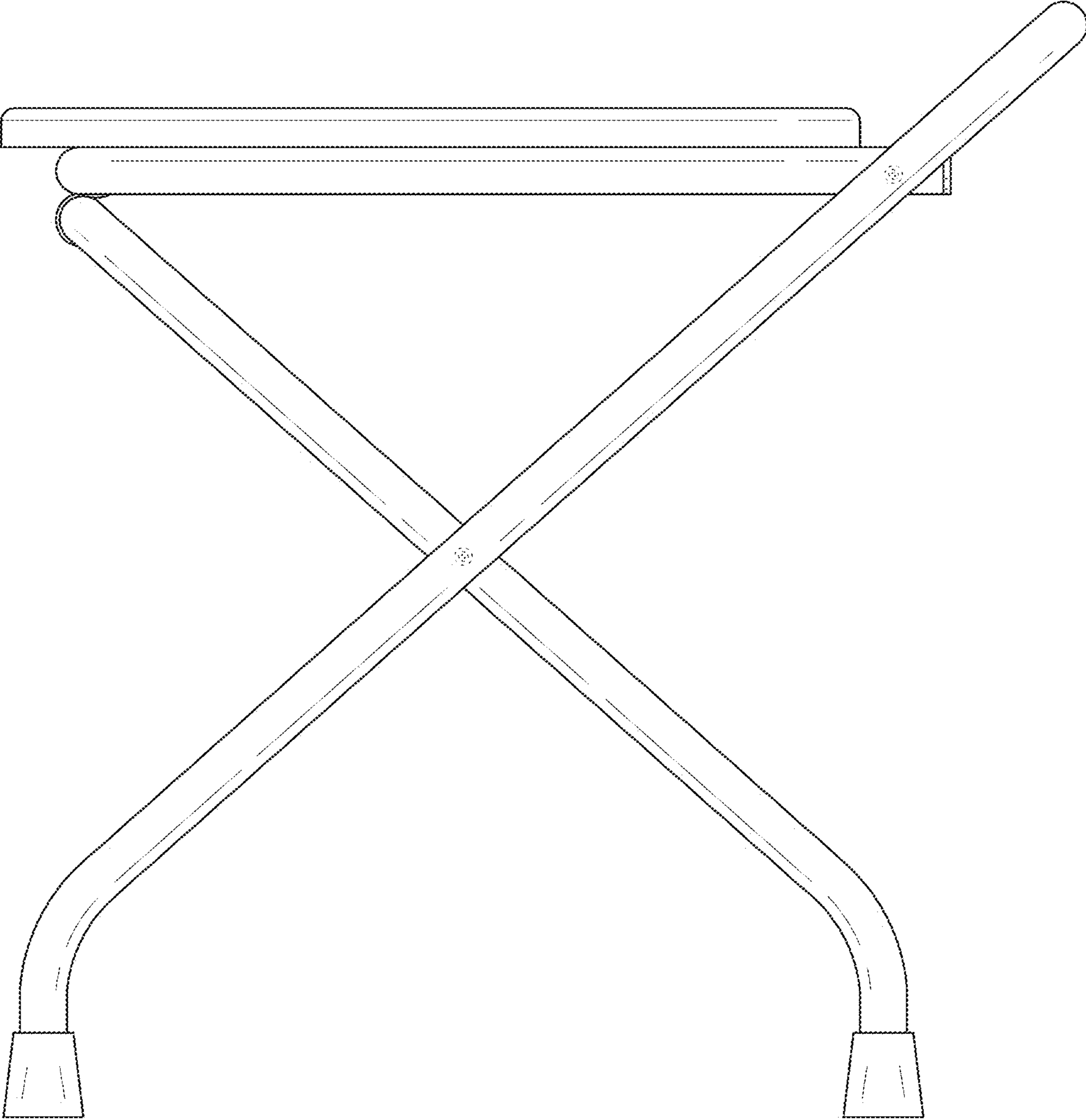


FIG. 4

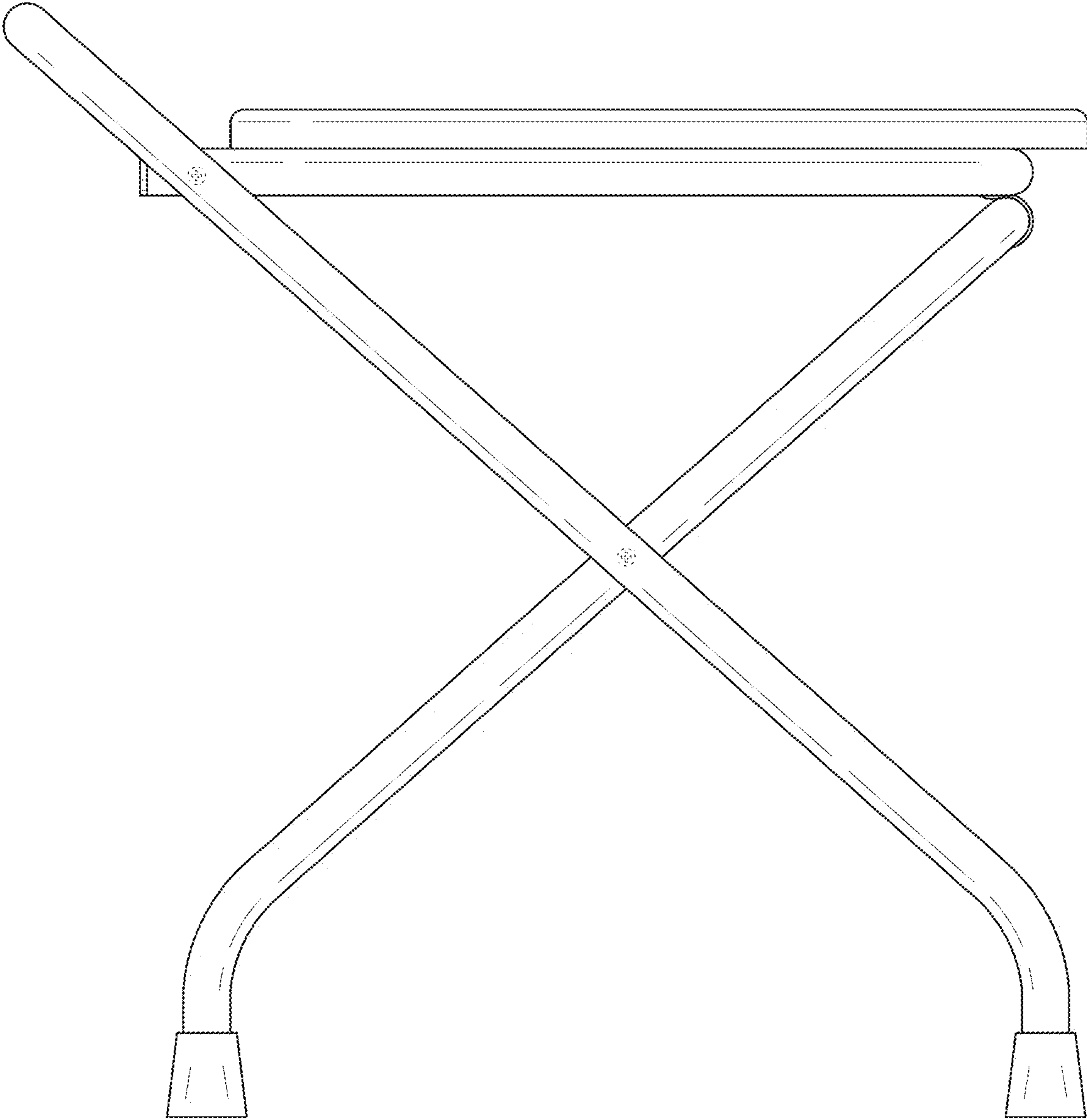


FIG. 5

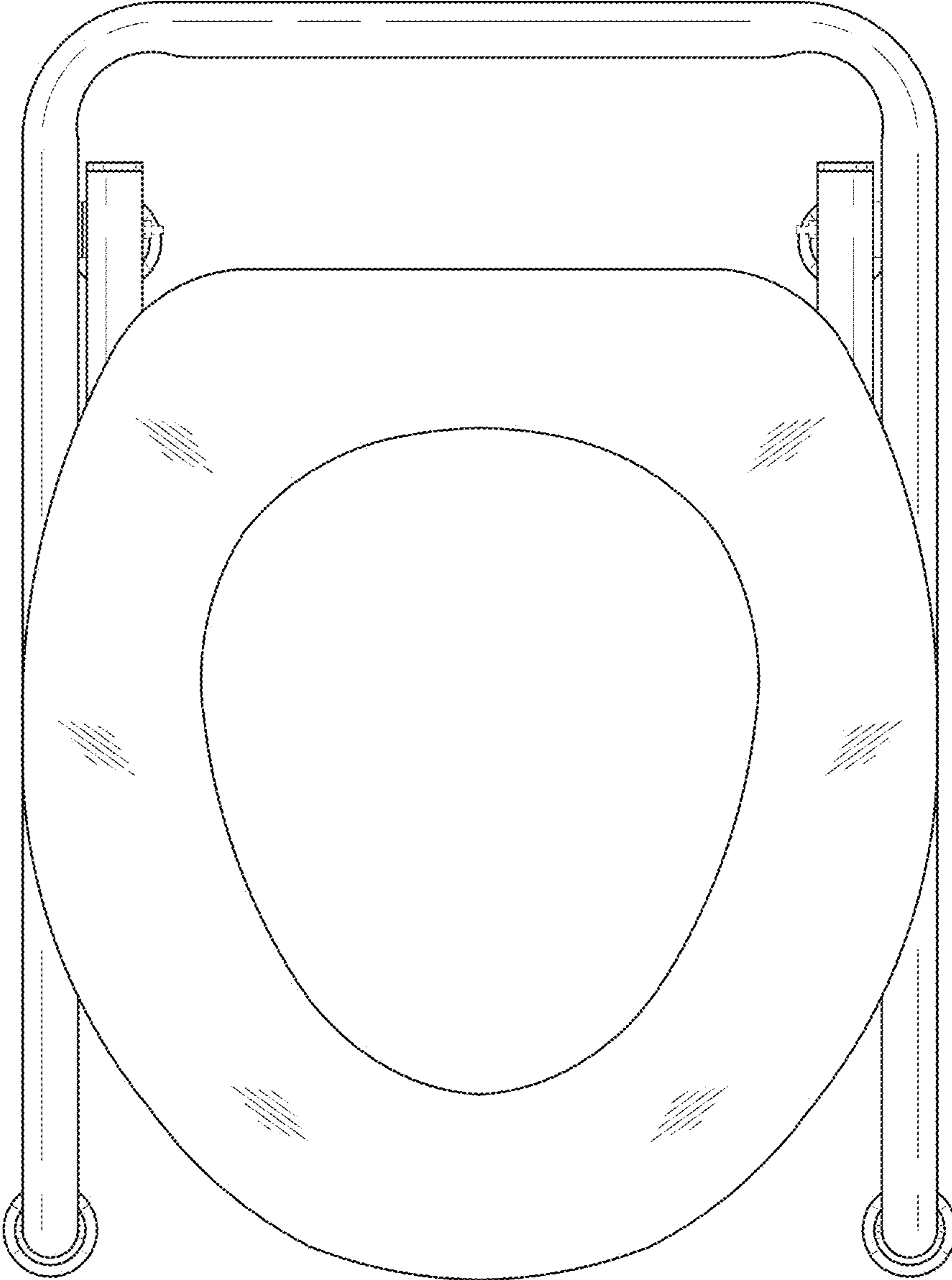


FIG. 6

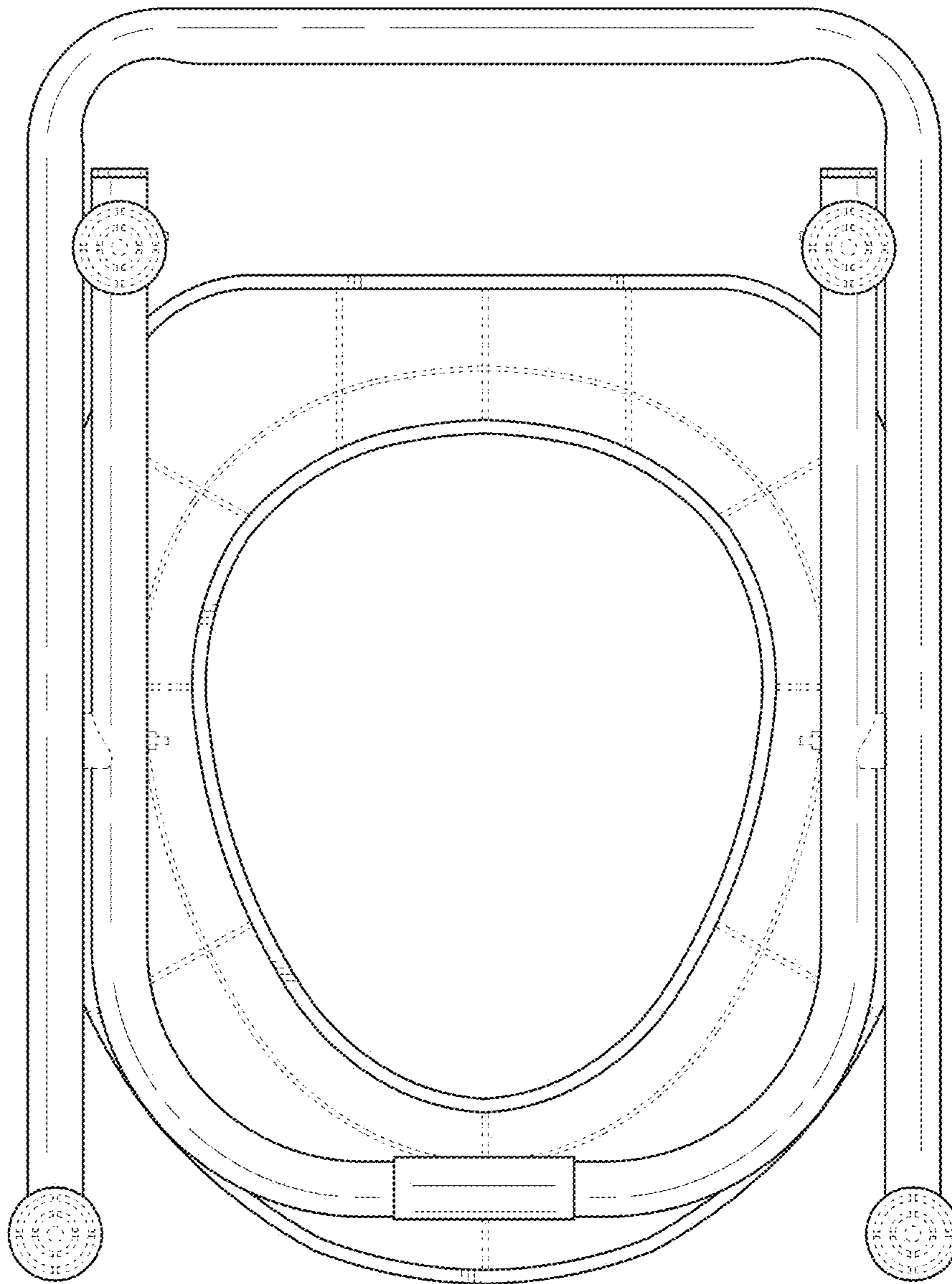


FIG. 7