



US00D971388S

(12) **United States Design Patent** (10) **Patent No.:** **US D971,388 S**
Leavitt et al. (45) **Date of Patent:** **** Nov. 29, 2022**

(54) **WALK-IN BATHTUB** 8,082,609 B2 * 12/2011 Rydalch A47K 3/006
4/590
(71) Applicant: **Safety Tubs Company, LLC**, Grand Prairie, TX (US) D686,332 S * 7/2013 Suri D24/204
8,549,678 B2 * 10/2013 Neidich E03C 1/12
4/538
(72) Inventors: **Douglas Fornell Leavitt**, Bethlehem, PA (US); **Ki Bok Song**, Plainview, NY (US); **Soonjae Kwon**, Astoria, NY (US) D697,183 S * 1/2014 Sital D23/279
D704,315 S * 5/2014 Pagano D23/279
D716,917 S * 11/2014 Suri D23/279
8,898,824 B2 * 12/2014 Neidich B29C 43/003
4/555
(73) Assignee: **Safety Tubs Company, LLC**, Grand Prairie, TX (US) D842,972 S * 3/2019 O'Brien D23/279
D905,209 S * 12/2020 Leavitt D23/279

(**) Term: **15 Years**

(21) Appl. No.: **29/753,974**

(22) Filed: **Oct. 5, 2020**

Related U.S. Application Data

(63) Continuation of application No. 29/743,798, filed on Jul. 24, 2020, which is a continuation of application No. 29/649,648, filed on May 31, 2018, now Pat. No. Des. 896,354.

(51) **LOC (13) Cl.** **23-02**

(52) **U.S. Cl.**
USPC **D23/279**

(58) **Field of Classification Search**
USPC ... D23/270, 271, 275, 276, 277, 279, 280.1, D23/280.2, 280.3, 280.4, 303, 304, 305, D23/307; D24/204
CPC A47K 3/00; A47K 3/001; A47K 3/002; A47K 3/003; A47K 3/004; A47K 3/005; A47K 3/006; A47K 3/02; A47K 3/022; A47K 3/04; A47K 3/062; A47K 3/122; A47K 3/125

See application file for complete search history.

(56) **References Cited**

U.S. PATENT DOCUMENTS

D573,700 S * 7/2008 Clarke D23/279
7,926,126 B2 * 4/2011 Whitley A47K 3/022
4/555

Primary Examiner — Jasmine Mlinarcik

(74) *Attorney, Agent, or Firm* — Tyler A. Stevenson; Anna-Lisa L. Gallo

(Continued)

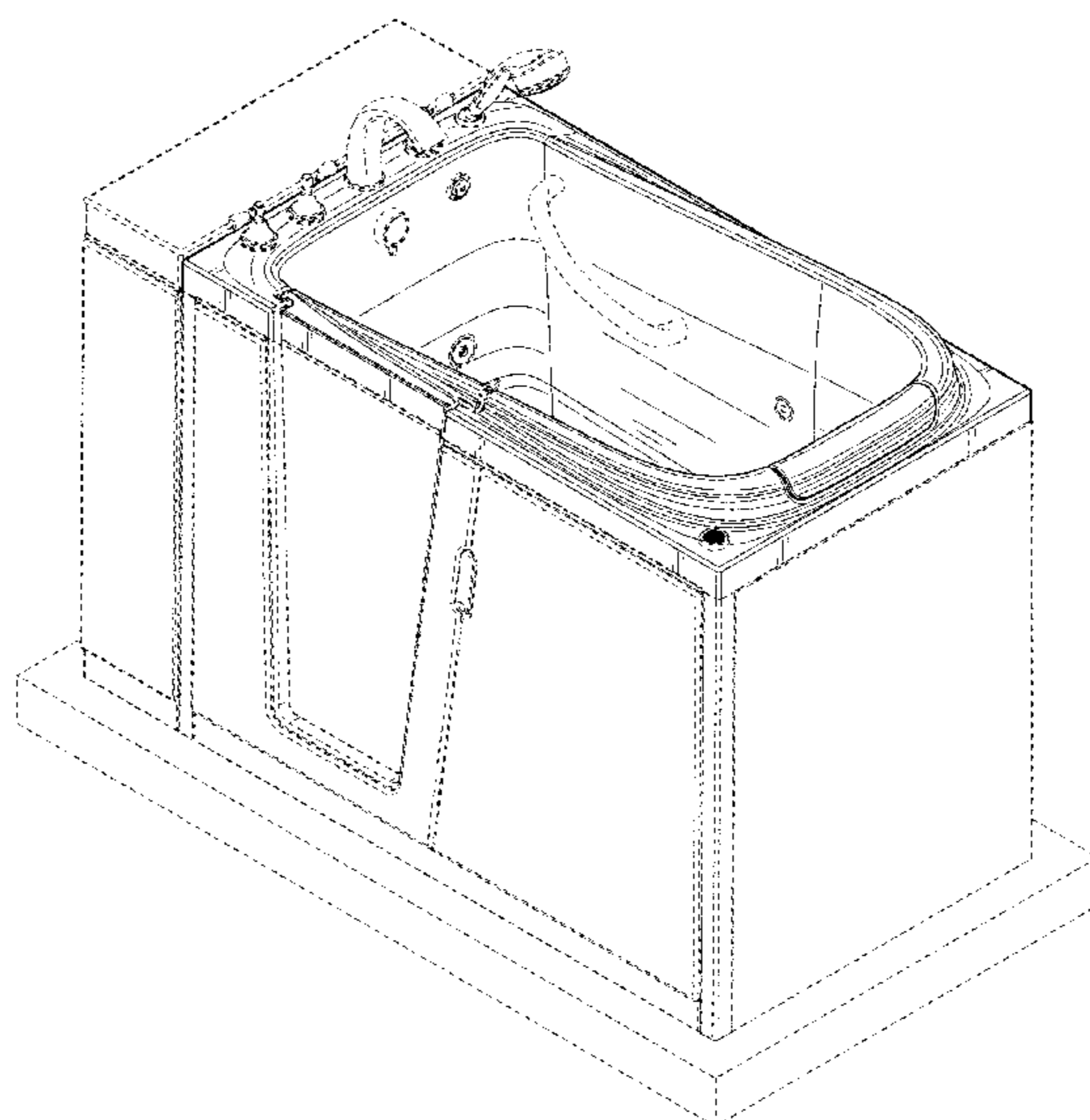
(57) **CLAIM**

We claim the ornamental design for a walk-in bathtub, as shown and described.

DESCRIPTION

FIG. 1 is a front, top, right side perspective view of a walk-in bathtub showing our new design;
FIG. 2 is a front, top, right side perspective view with a door in an open position;
FIG. 3 is a rear, top, right side perspective view of the walk-in bathtub;
FIG. 4 is a front view thereof;
FIG. 5 is a rear view thereof;
FIG. 6 is a left side view thereof;
FIG. 7 is a right side view thereof;
FIG. 8 is a top view thereof; and,
FIG. 9 is a bottom view thereof.
The broken lines immediately adjacent to the shaded areas represent the bounds of the claimed design while all other broken lines are directed to environmental structure; the broken lines form no part of the claimed design.

1 Claim, 9 Drawing Sheets



(56)

References Cited

U.S. PATENT DOCUMENTS

10,881,251 B2 * 1/2021 Manchiraju A47K 3/006
D916,253 S * 4/2021 O'Brien D23/279
2013/0086739 A1 * 4/2013 Booth, III A47K 3/006
4/555
2016/0271012 A1 * 9/2016 Xu A61H 33/6021
2017/0000297 A1 * 1/2017 Stafford E06B 5/00
2022/0022700 A1 * 1/2022 Leavitt A47K 3/006

* cited by examiner

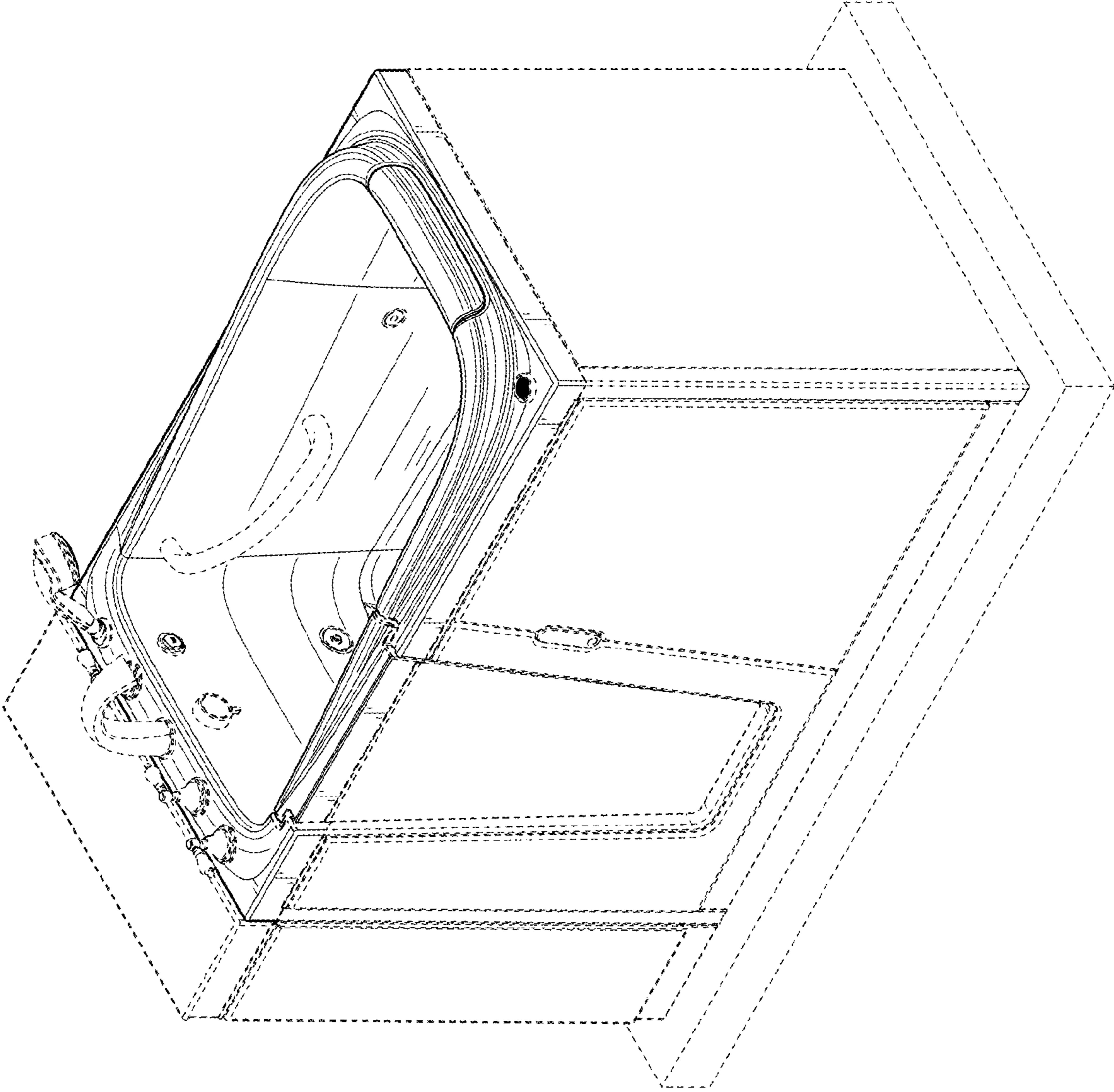


FIG. 1

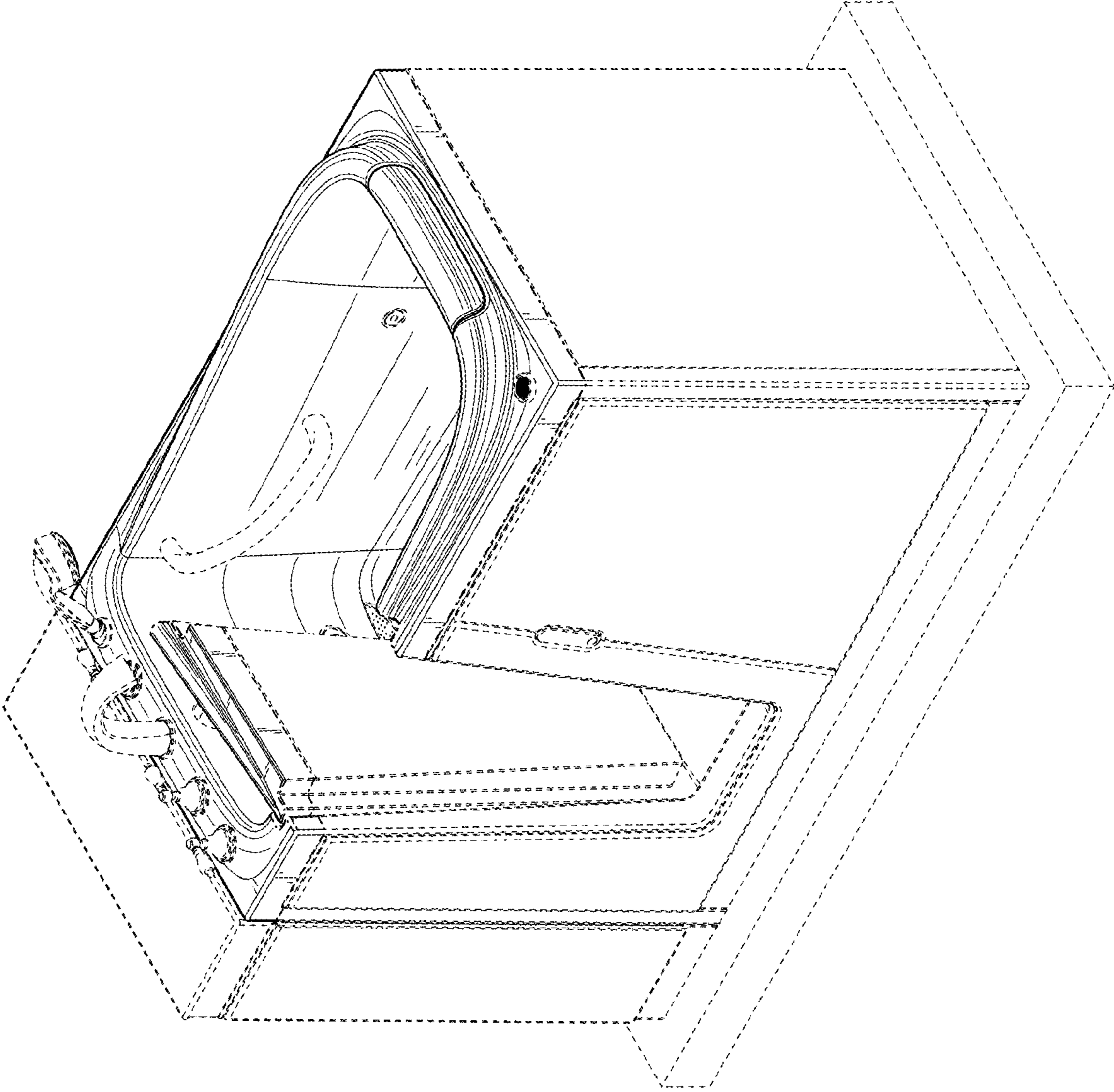


FIG. 2

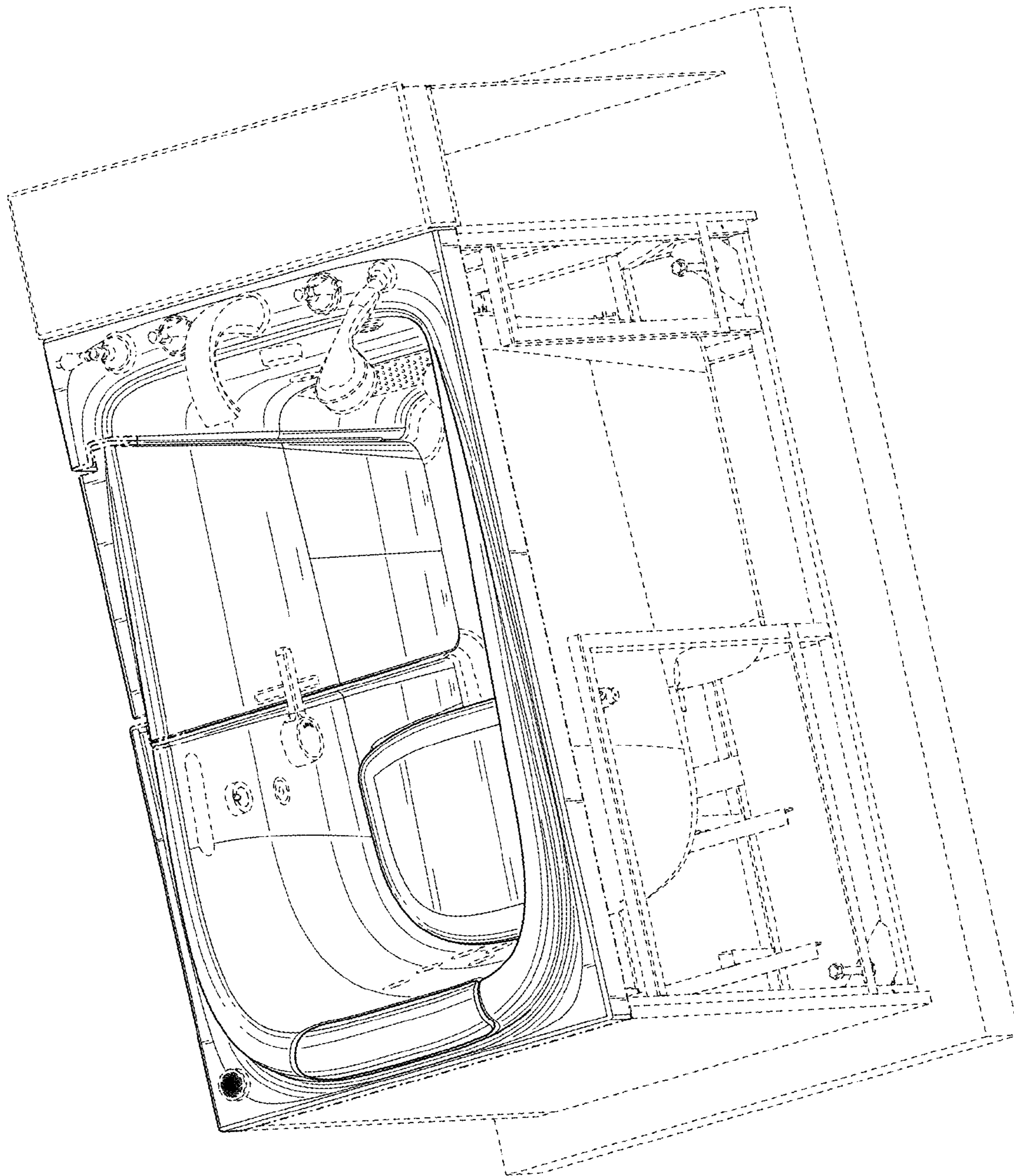


FIG. 3

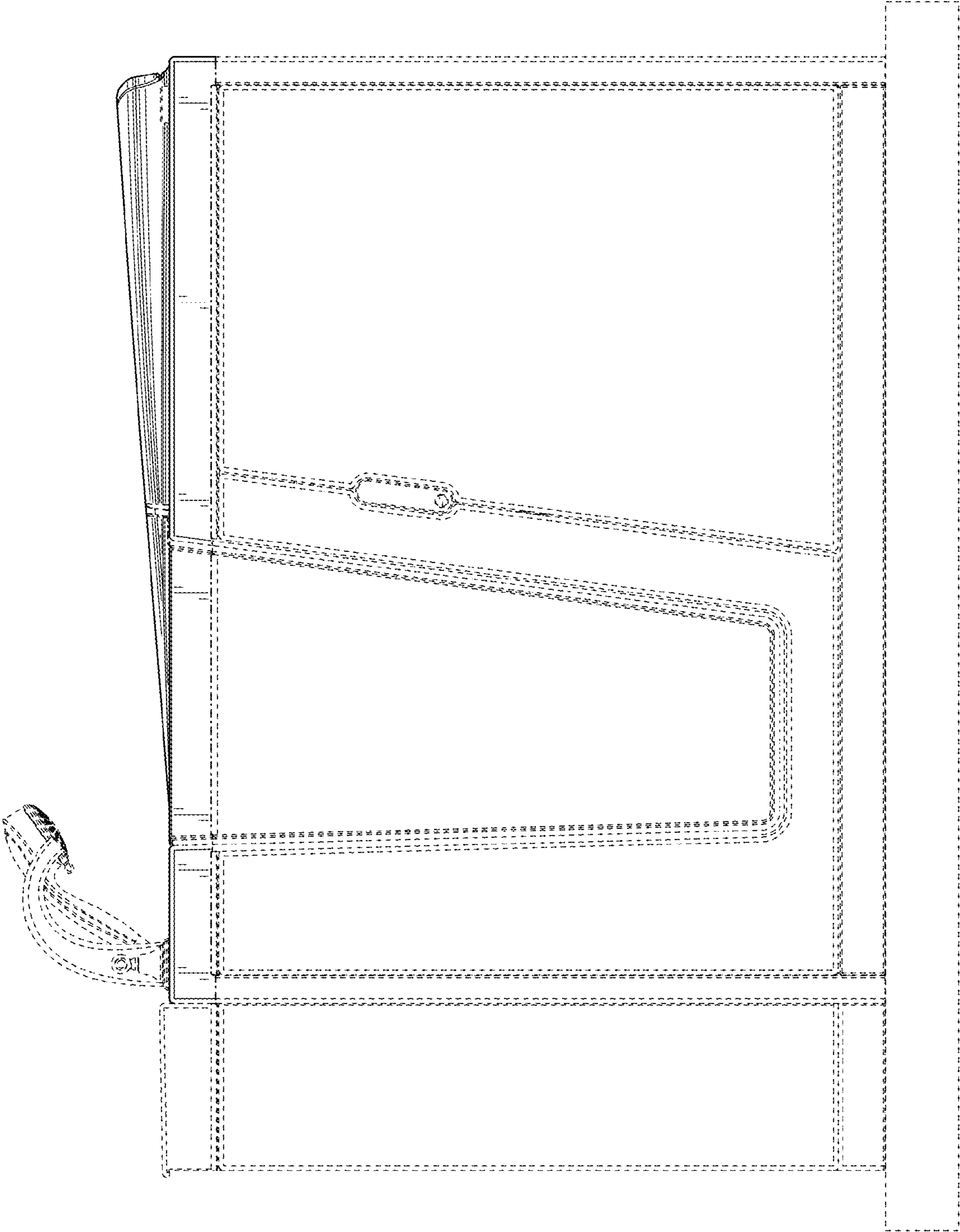


FIG. 4

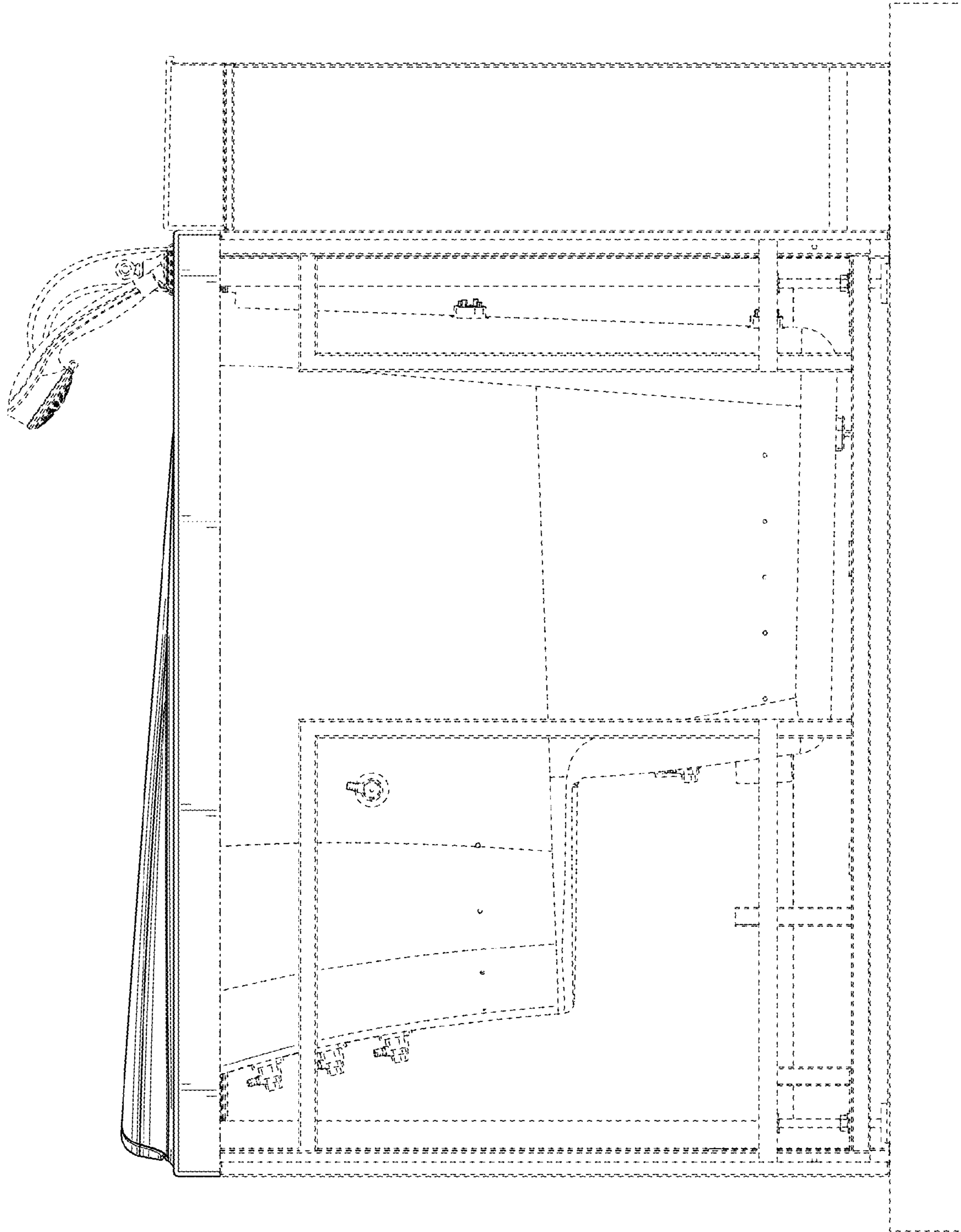


FIG. 5

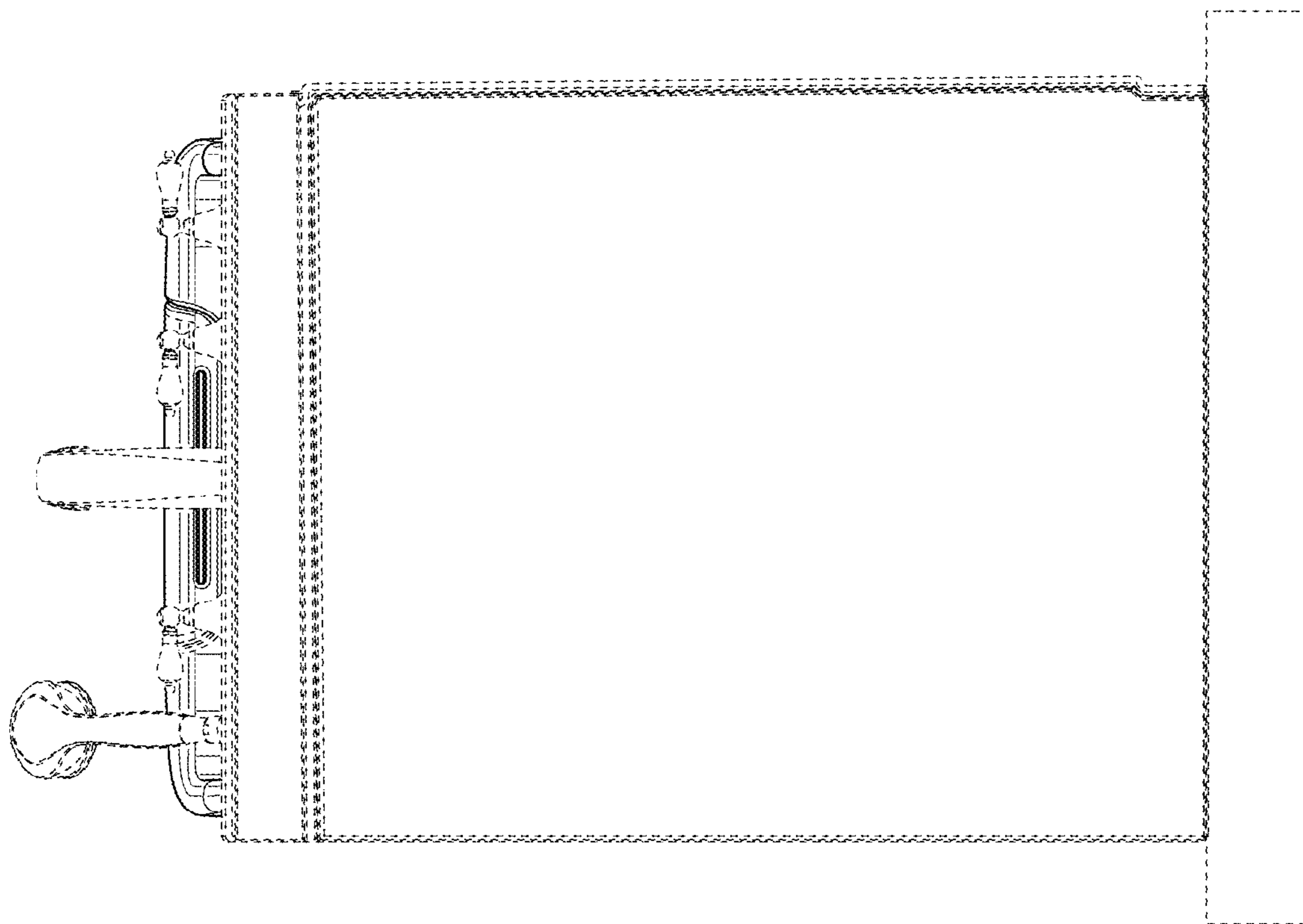


FIG. 6

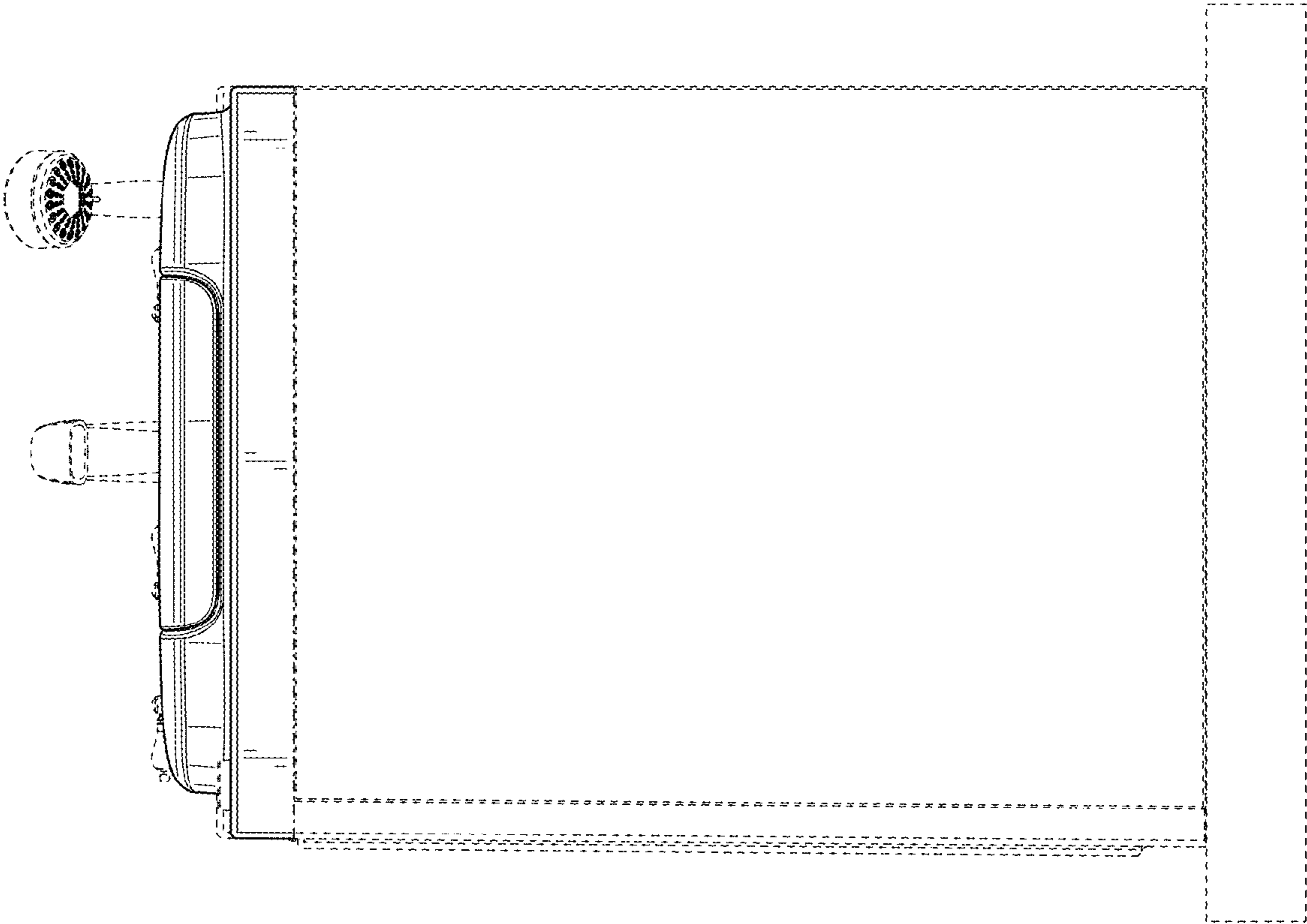


FIG. 7

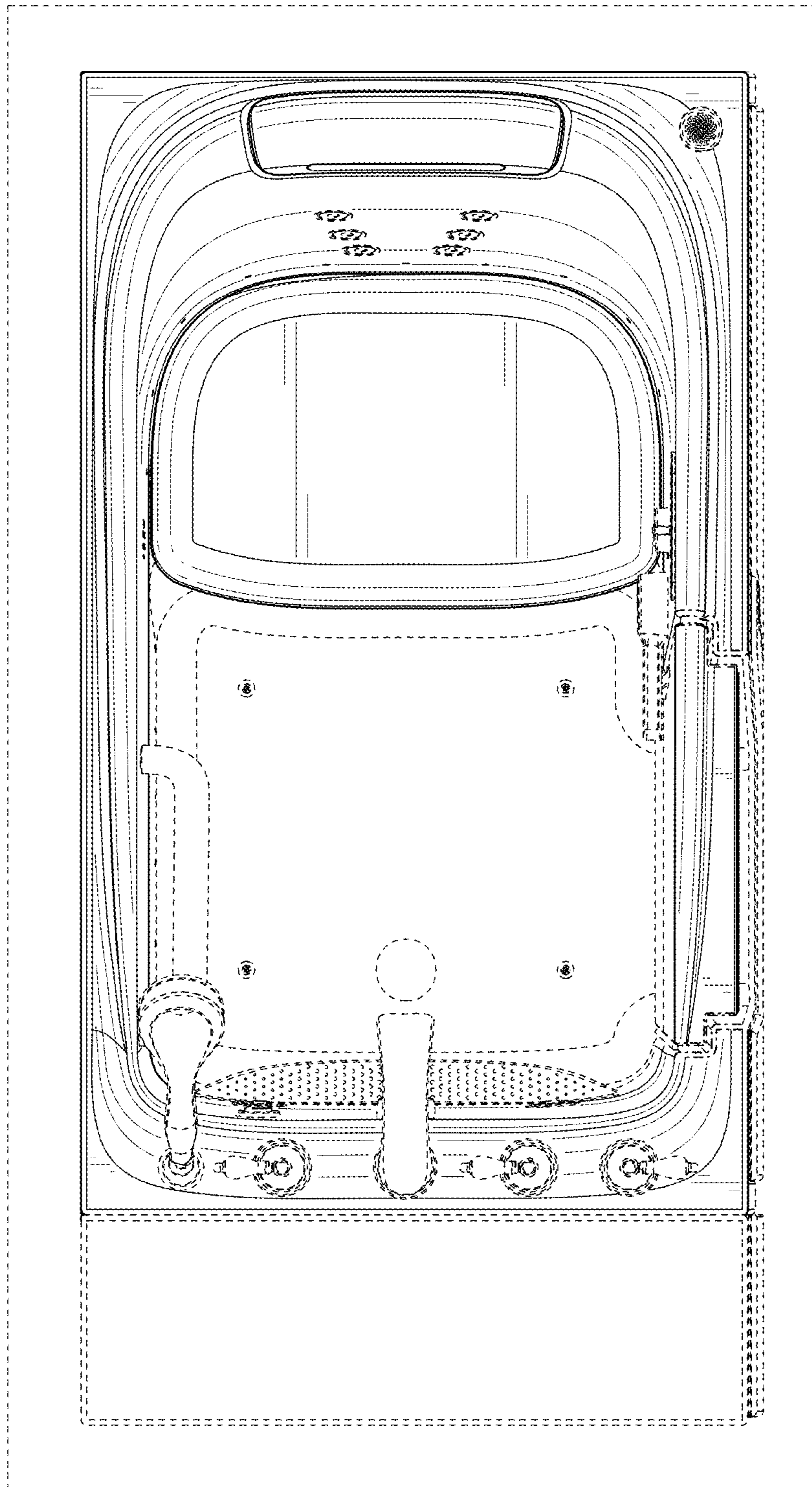


FIG. 8



FIG. 9