



US00D971385S

(12) **United States Design Patent**
Bucher

(10) **Patent No.:** **US D971,385 S**

(45) **Date of Patent:** **** Nov. 29, 2022**

(54) **BATHTUB**

(71) Applicant: **AS America, Inc.**, Piscataway, NJ (US)

(72) Inventor: **Christophe Bucher**, Hillsborough, NJ (US)

(73) Assignee: **AS America, Inc.**, Piscataway, NJ (US)

(**) Term: **15 Years**

(21) Appl. No.: **29/772,675**

(22) Filed: **Mar. 3, 2021**

(51) **LOC (13) Cl.** **23-02**

(52) **U.S. Cl.**
USPC **D23/277**

(58) **Field of Classification Search**
USPC D23/275-277, 280.1, 303-306;
D24/204-205

See application file for complete search history.

(56) **References Cited**

U.S. PATENT DOCUMENTS

2,084,852 A * 6/1937 Lochman A47K 3/02
4/584
D277,306 S * 1/1985 Lax D23/277

D318,323 S * 7/1991 Stairs, Jr. D23/277
D337,374 S * 7/1993 Stairs, Jr. D23/277
D649,230 S * 11/2011 Yoo D23/275
D665,890 S * 8/2012 Reedy D23/275
D726,293 S * 4/2015 Spangler D23/277

* cited by examiner

Primary Examiner — Robert A Delehanty

(74) *Attorney, Agent, or Firm* — Tyler A. Stevenson;
Anna-lisa L. Gallo

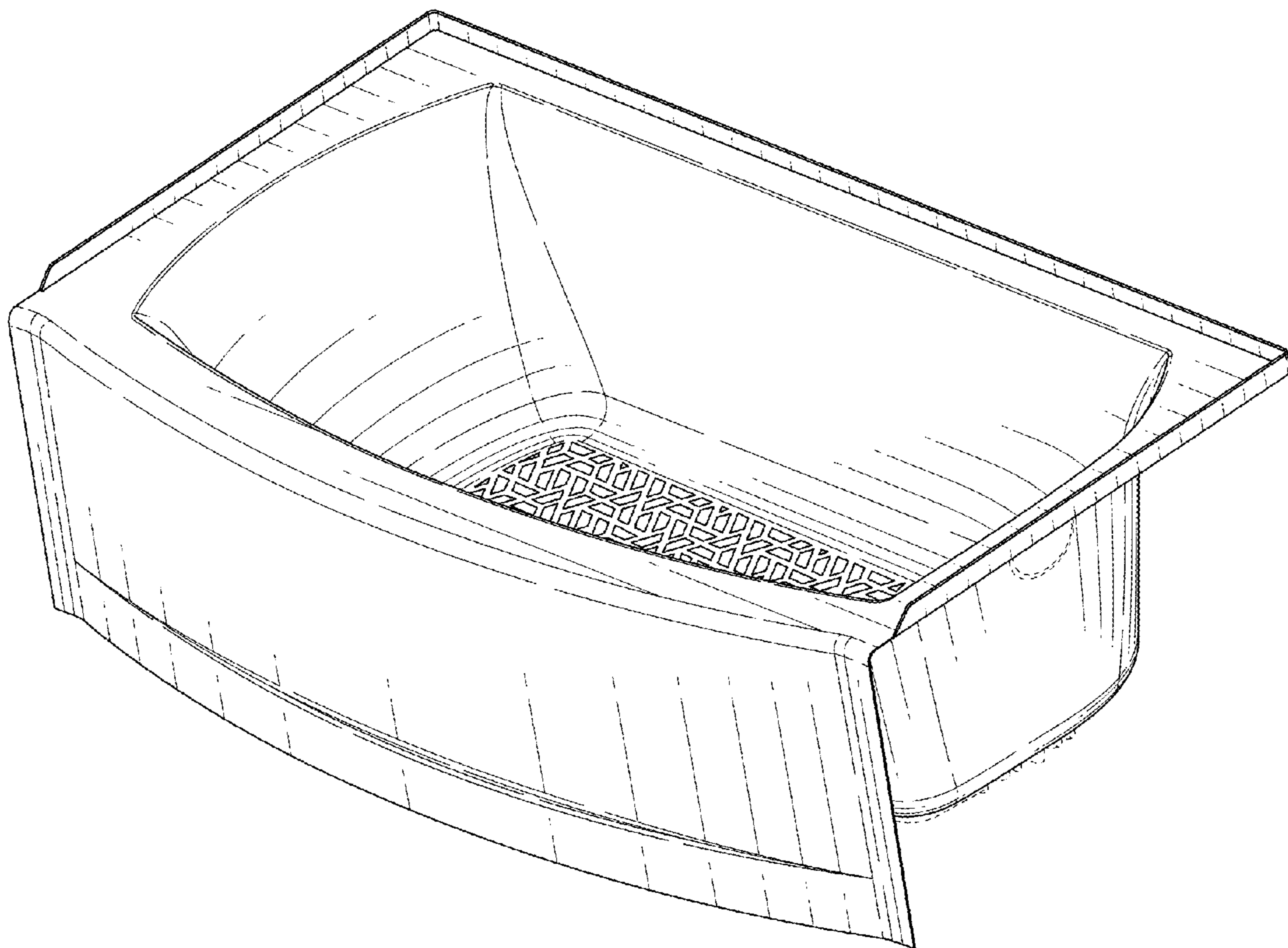
(57) **CLAIM**

I claim the ornamental design for a bathtub, as shown and described.

DESCRIPTION

FIG. 1 is a front, top, right side perspective view of a bathtub showing my new design;
FIG. 2 is a front view thereof;
FIG. 3 is a rear view thereof;
FIG. 4 is a left side view thereof;
FIG. 5 is a right side view thereof;
FIG. 6 is a top view thereof;
FIG. 7 is a bottom view thereof; and,
FIG. 8 is a front, bottom, right side perspective view thereof. Broken lines represent portions of the bathtub that form no part of the claimed design.

1 Claim, 5 Drawing Sheets



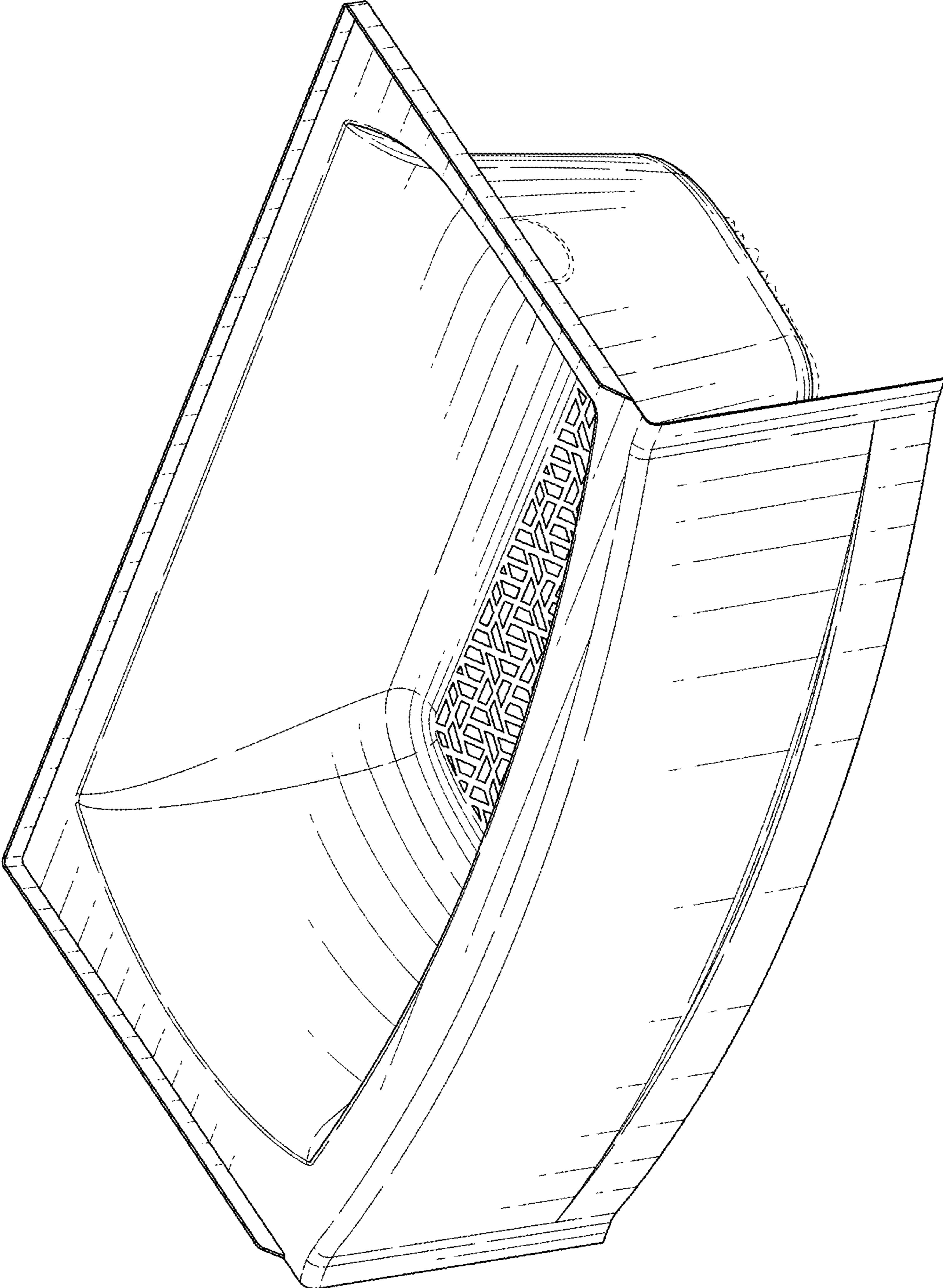


FIG. 1

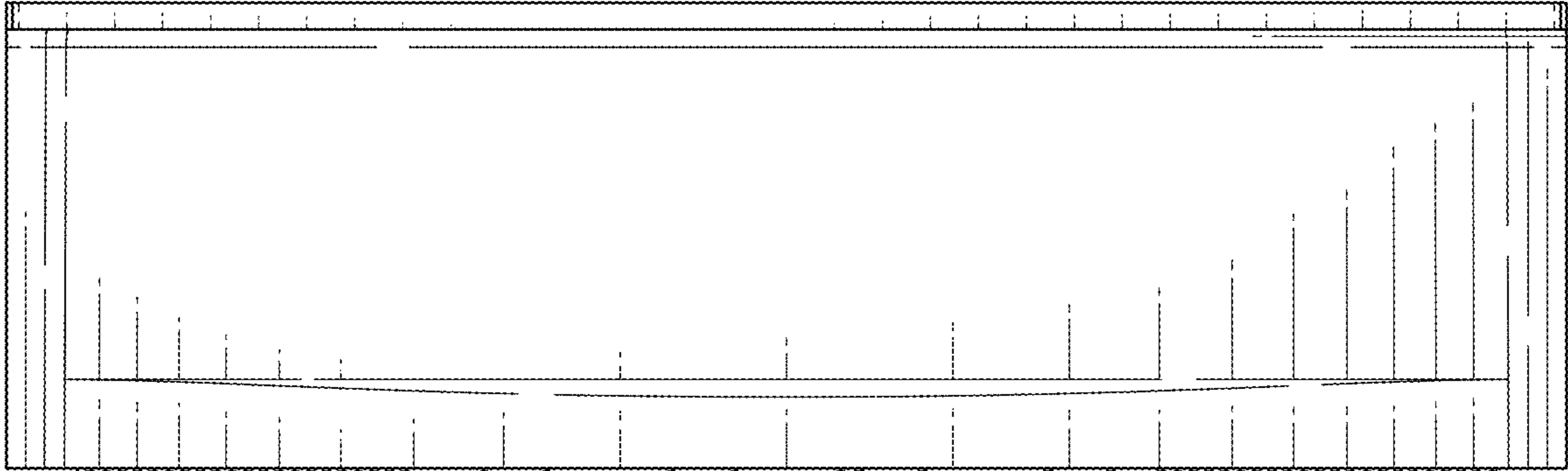


FIG. 2

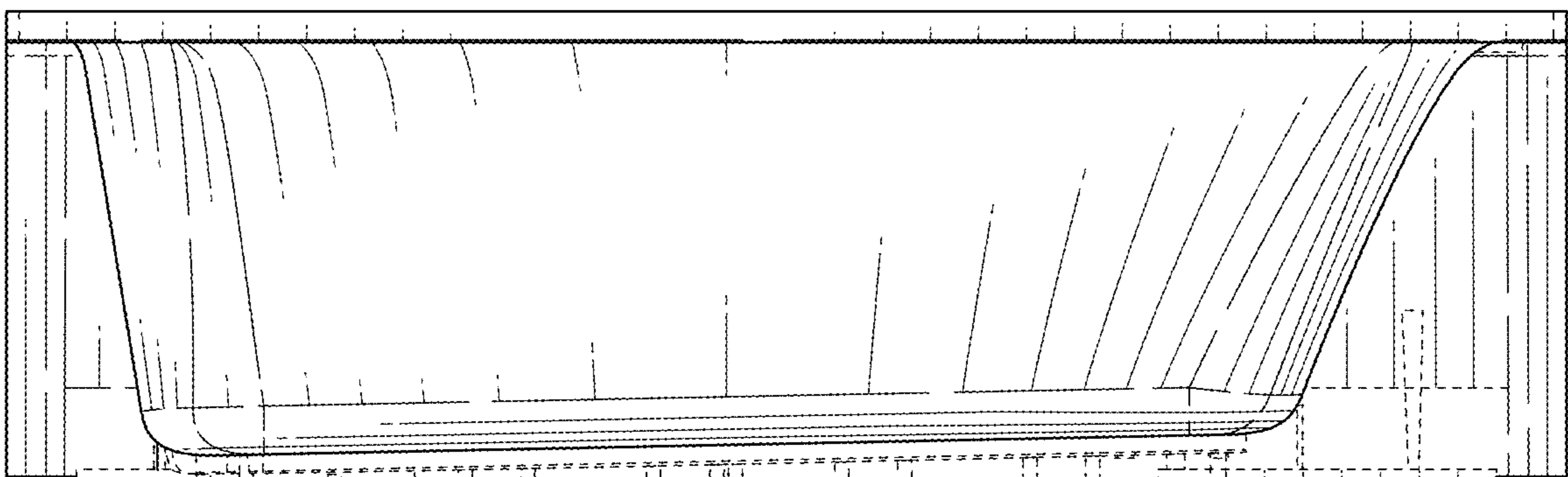


FIG. 3

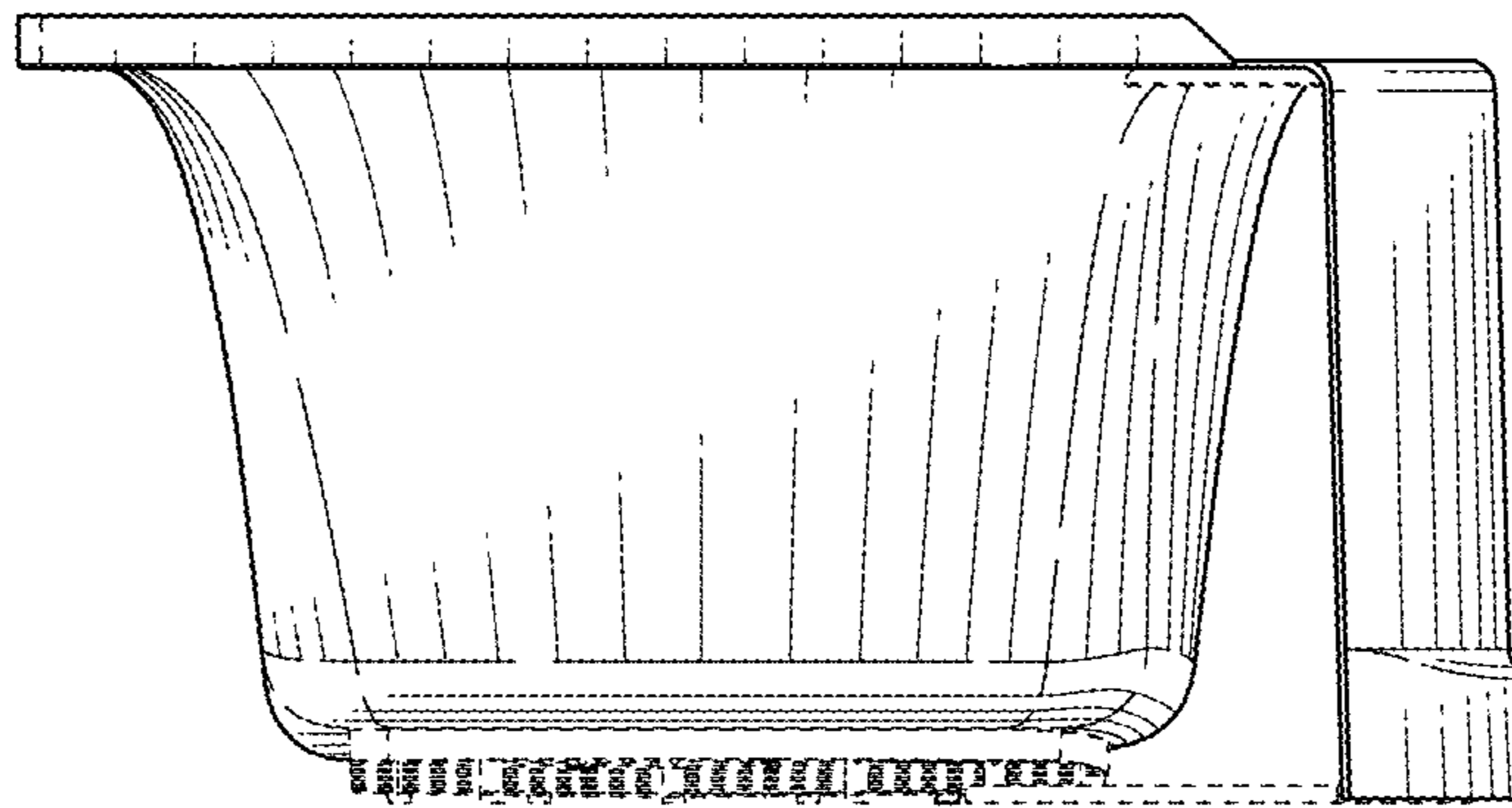


FIG. 4

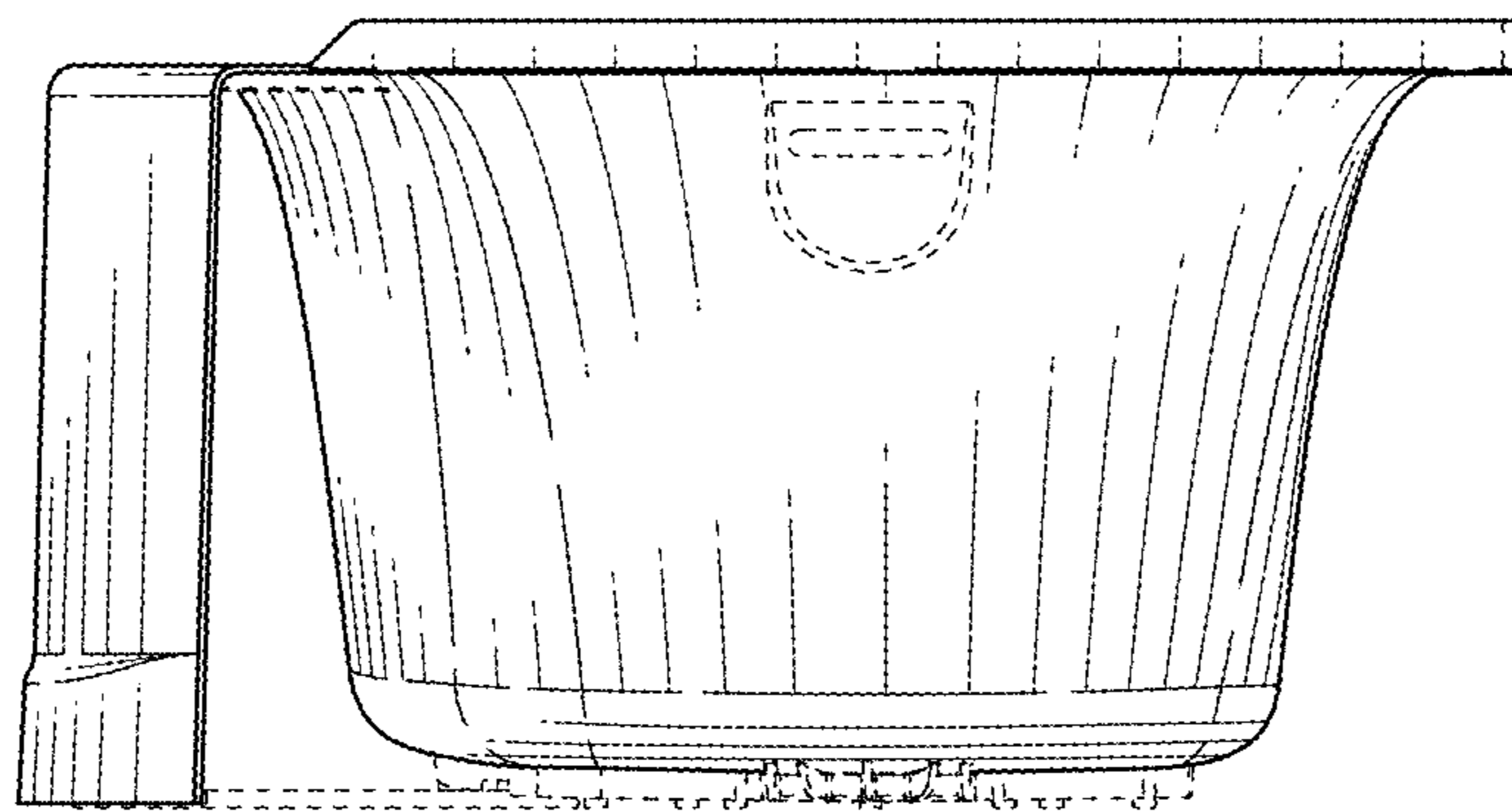


FIG. 5

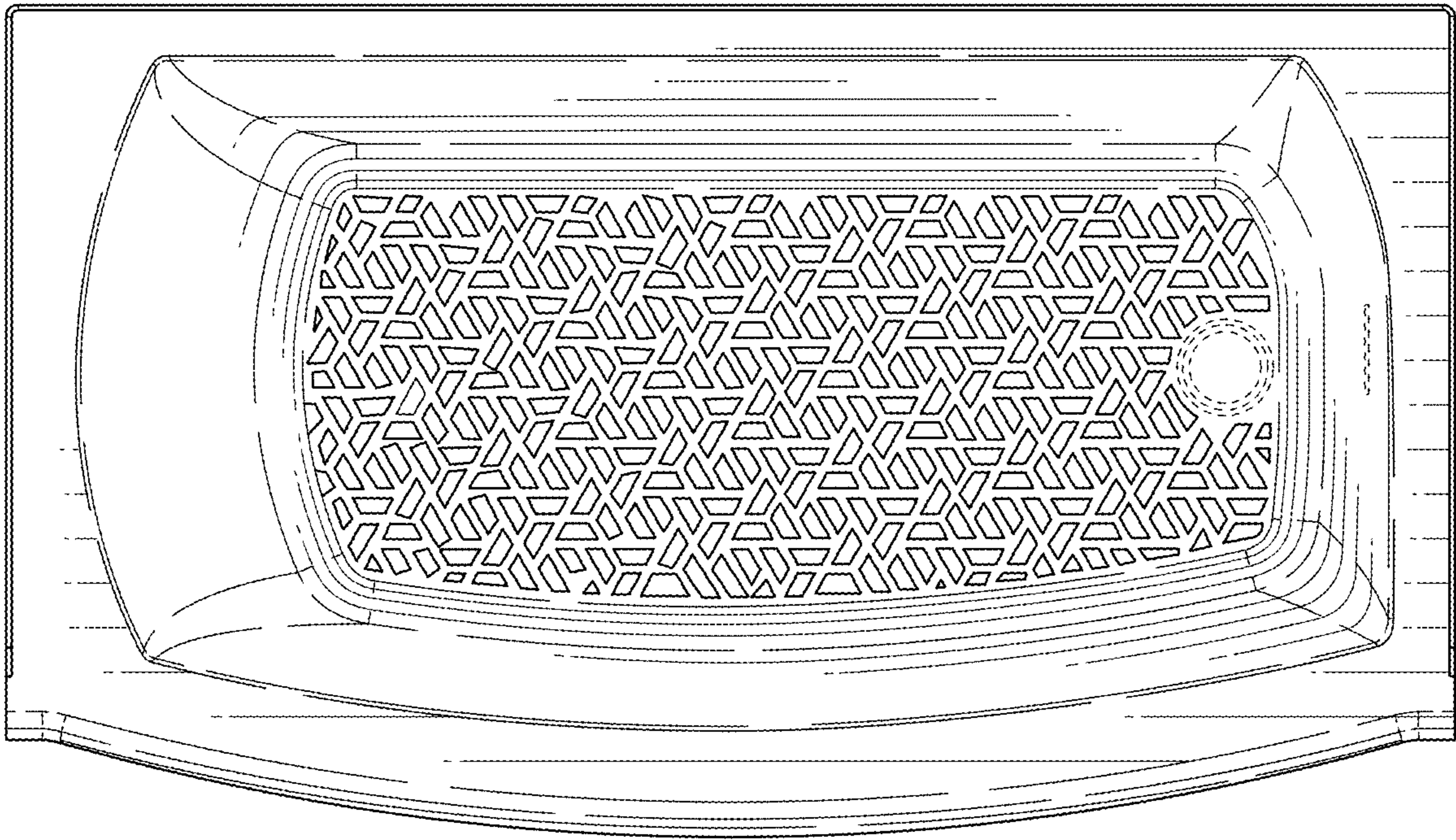


FIG. 6

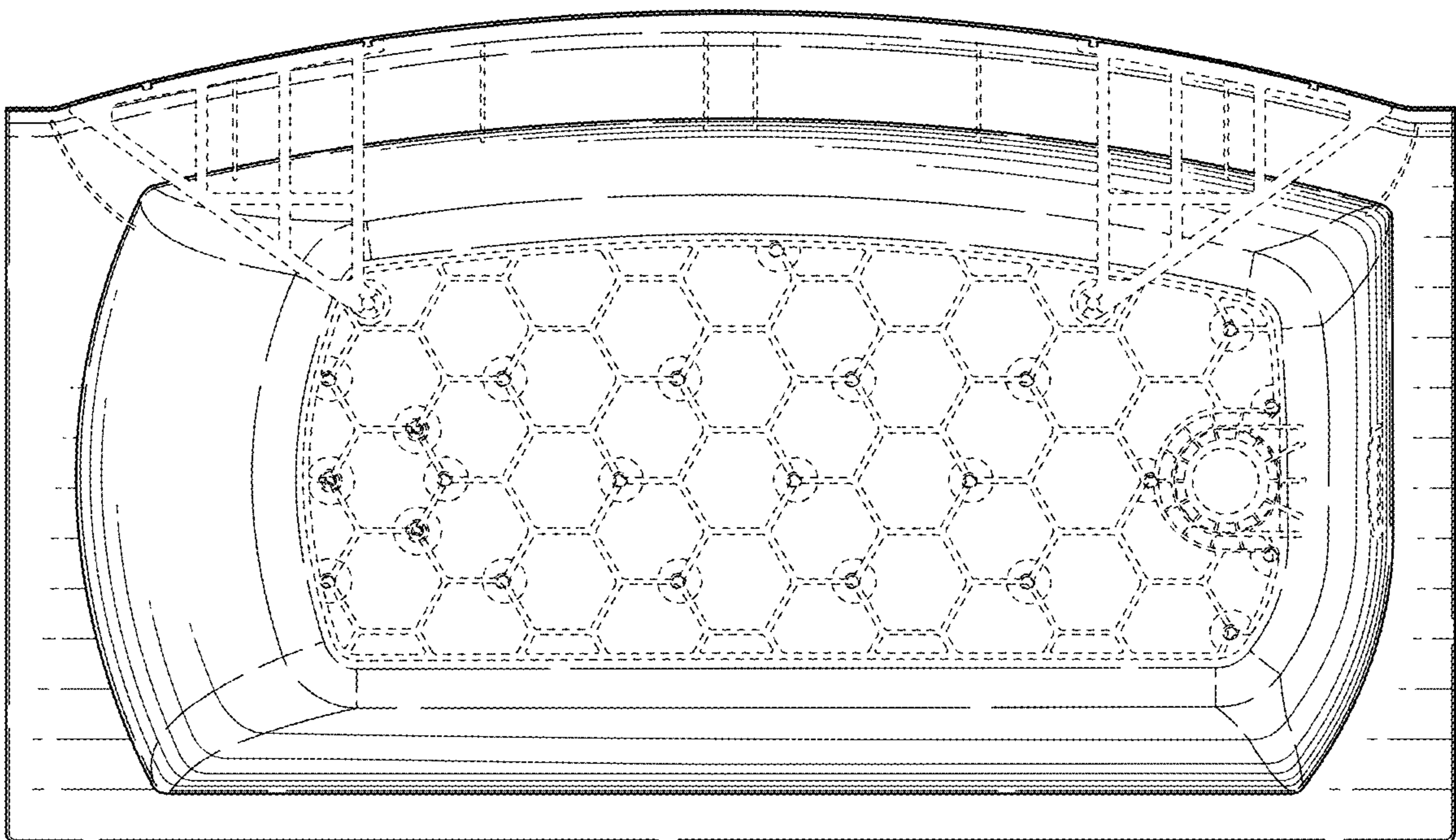


FIG. 7

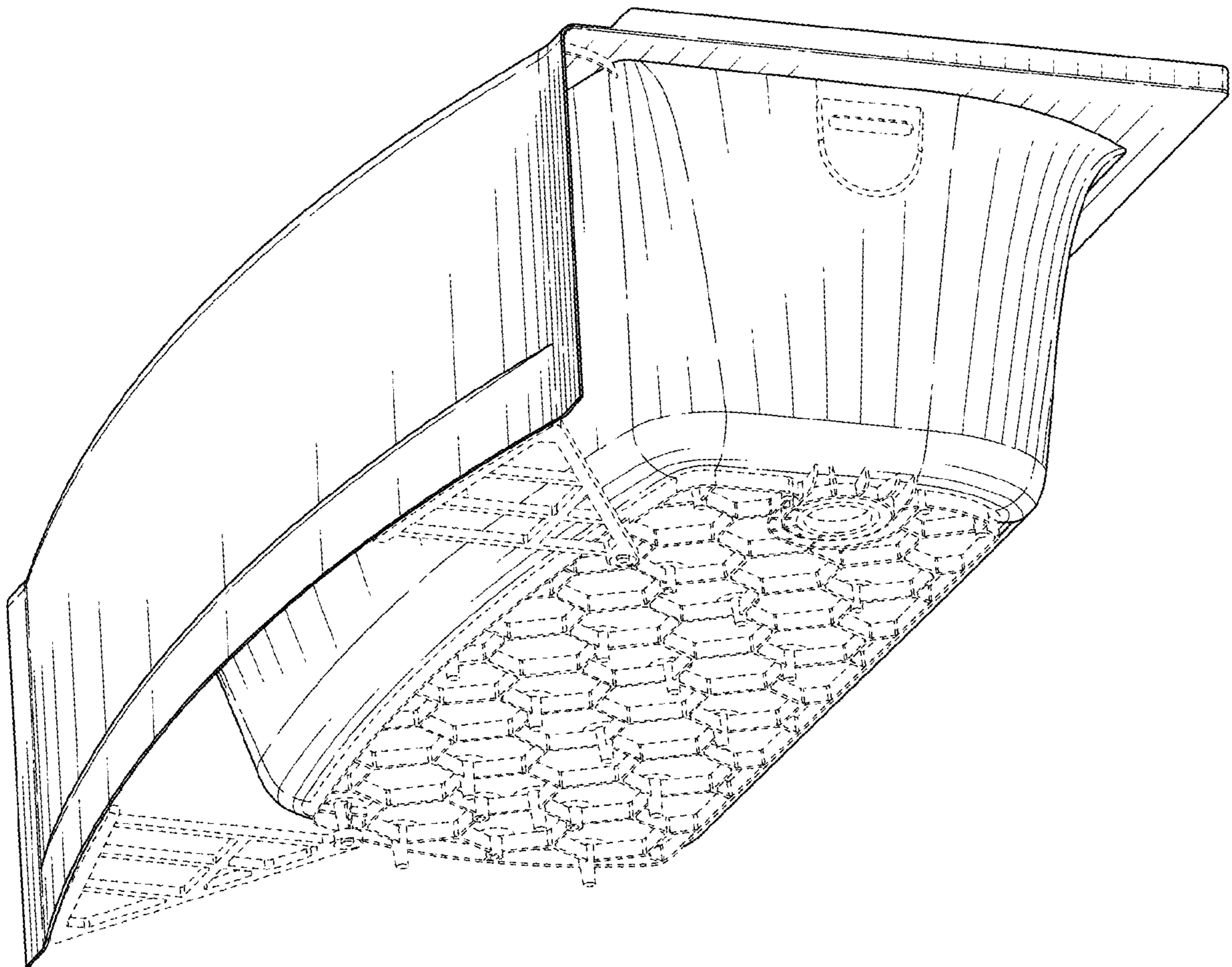


FIG. 8