



US00D971384S

(12) **United States Design Patent** (10) **Patent No.:** **US D971,384 S**
You (45) **Date of Patent:** **** Nov. 29, 2022**

(54) **PIPE FITTING**

(71) Applicant: **NINGBO XIANGYUAN VALVE CO., LTD.**, Ningbo (CN)

(72) Inventor: **Yuemin You**, Ningbo (CN)

(73) Assignee: **Ningbo Xiangyuan Valve Co., Ltd.**, Ninghai (CN)

(**) Term: **15 Years**

(21) Appl. No.: **29/764,028**

(22) Filed: **Dec. 28, 2020**

(51) **LOC (13) Cl.** **23-01**

(52) **U.S. Cl.**
USPC **D23/263**

(58) **Field of Classification Search**
USPC D23/233–237, 259, 262–263, 265–266;
285/83, 239, 275, 277, 308, 148.2,
285/148.14, 148.21, 179, 268; 137/515,
137/798; D24/108, 112, 127, 129
CPC F16L 33/30; F16L 11/00
See application file for complete search history.

(56) **References Cited**

U.S. PATENT DOCUMENTS

D229,410 S *	11/1973	Luckenbill et al.	D23/263
D234,463 S *	3/1975	Ahl	D23/263
D652,122 S *	1/2012	Bonhag	D23/263
D676,941 S *	2/2013	Kluss	D23/262
D709,994 S *	7/2014	King	F16L 41/02 D23/259
D727,472 S *	4/2015	Bednarz	D23/263
D733,266 S *	6/2015	Bednarz	D23/263
D739,509 S *	9/2015	Bazemore	D23/263
D746,958 S *	1/2016	Gledhill	D23/262
D835,245 S *	12/2018	Salehi-Bakhtiari	D23/263

D857,178 S *	8/2019	Dagdelen	D23/259
2012/0217738 A1 *	8/2012	King	F16L 37/091 285/82
2015/0226360 A1 *	8/2015	Souma	B29C 45/2614 285/179

FOREIGN PATENT DOCUMENTS

CN	304963321	*	12/2018
CN	306375331	*	3/2021

* cited by examiner

Primary Examiner — Amy C Wierenga

(57) **CLAIM**

The ornamental design for a pipe fitting, as shown and described.

DESCRIPTION

FIG. 1 is a top, front, and right perspective view of the pipe fitting of the present invention.

FIG. 2 is a top view of the pipe fitting of the present invention.

FIG. 3 is a bottom view of the pipe fitting of the present invention.

FIG. 4 is a right view of the pipe fitting of the present invention.

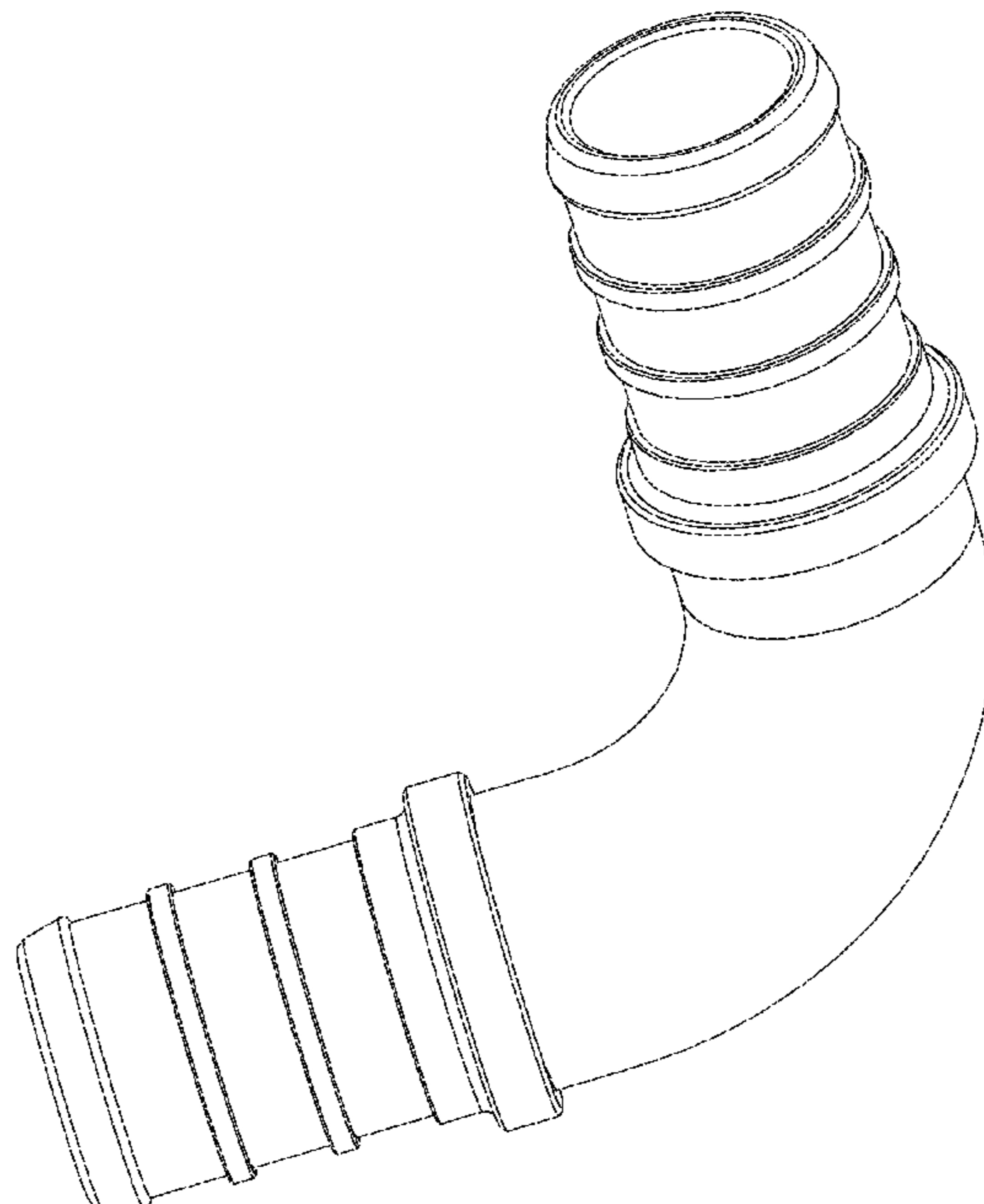
FIG. 5 is a left view of the pipe fitting of the present invention.

FIG. 6 is a back view of the pipe fitting of the present invention; and,

FIG. 7 is a front view of the pipe fitting of the present invention.

The dashed broken lines depict portions of the pipe fitting that form no part of the claim.

1 Claim, 5 Drawing Sheets



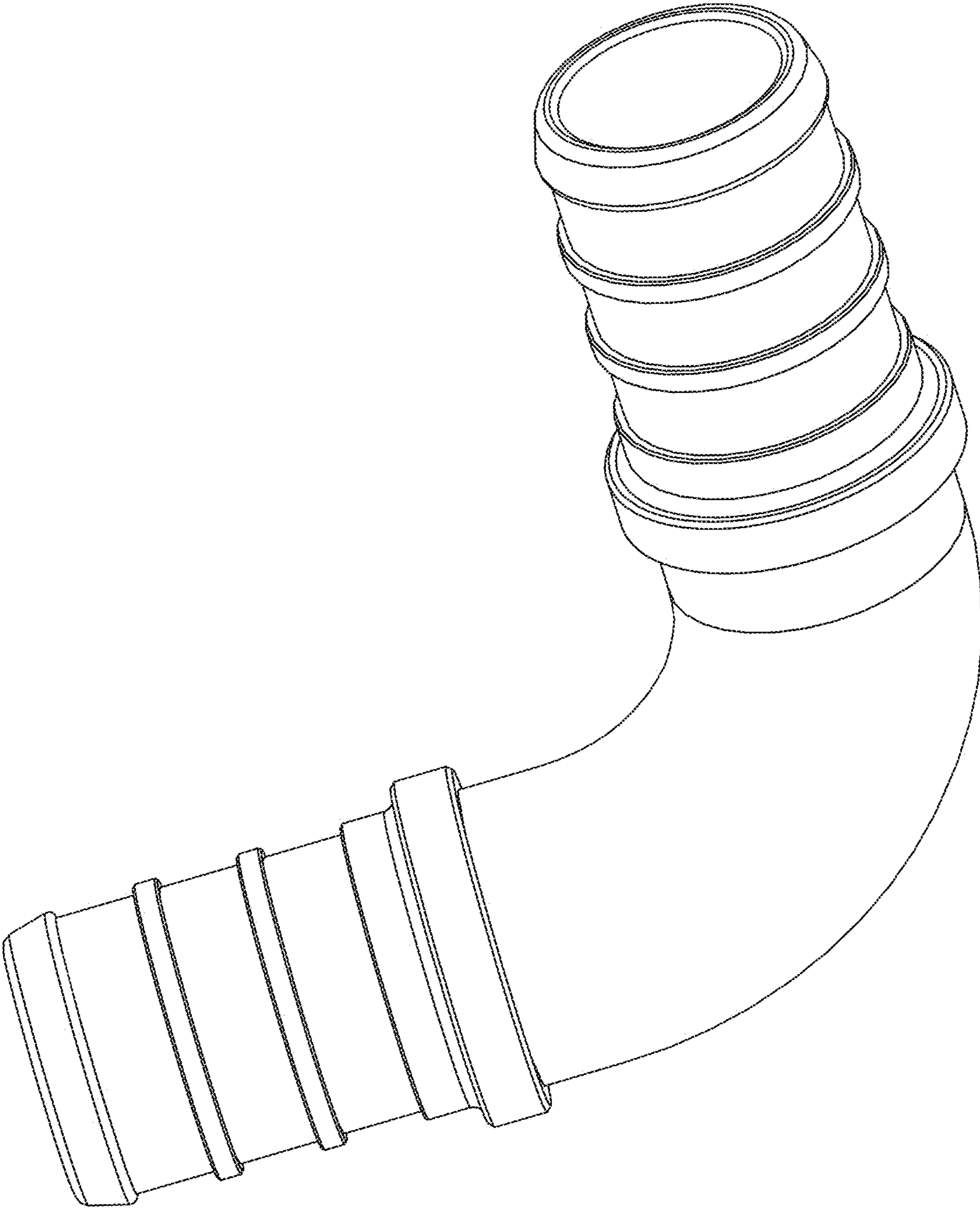


FIG. 1

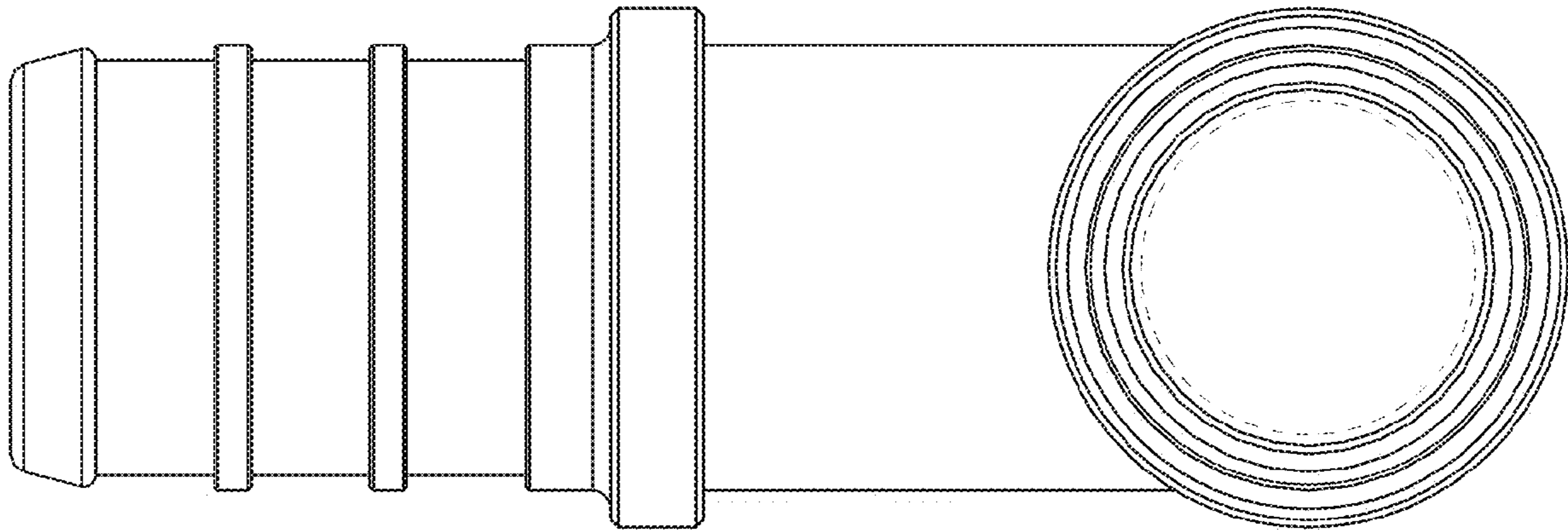


FIG. 2

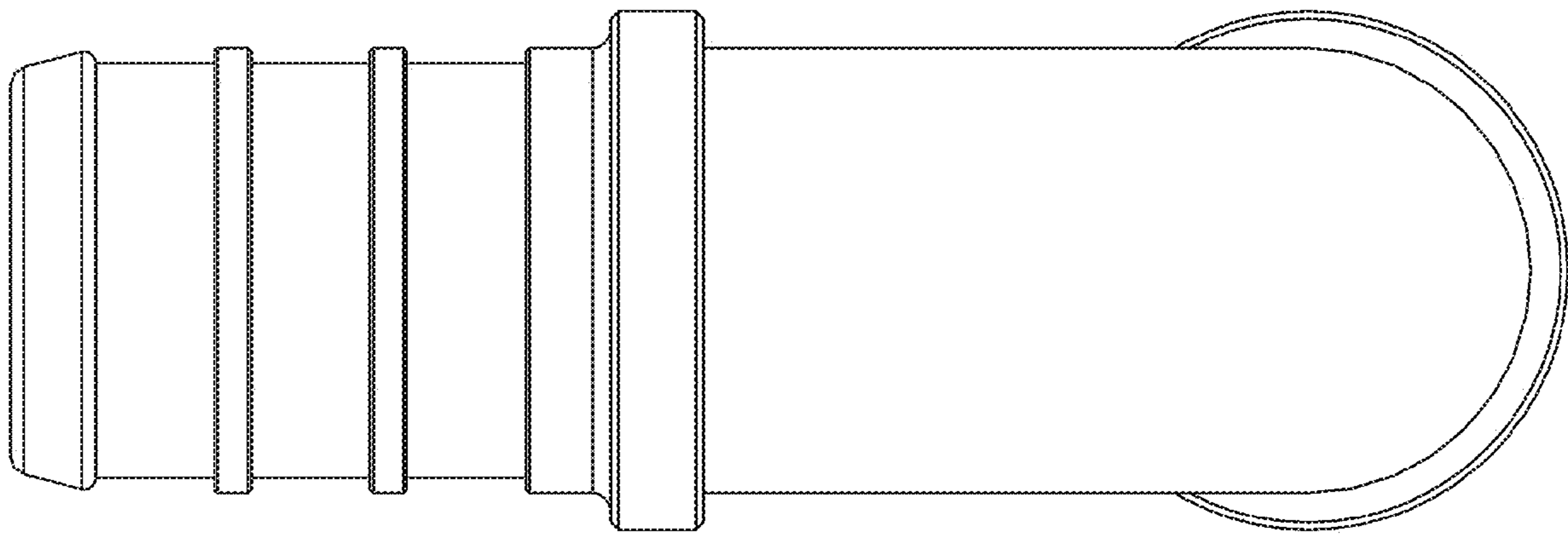


FIG. 3

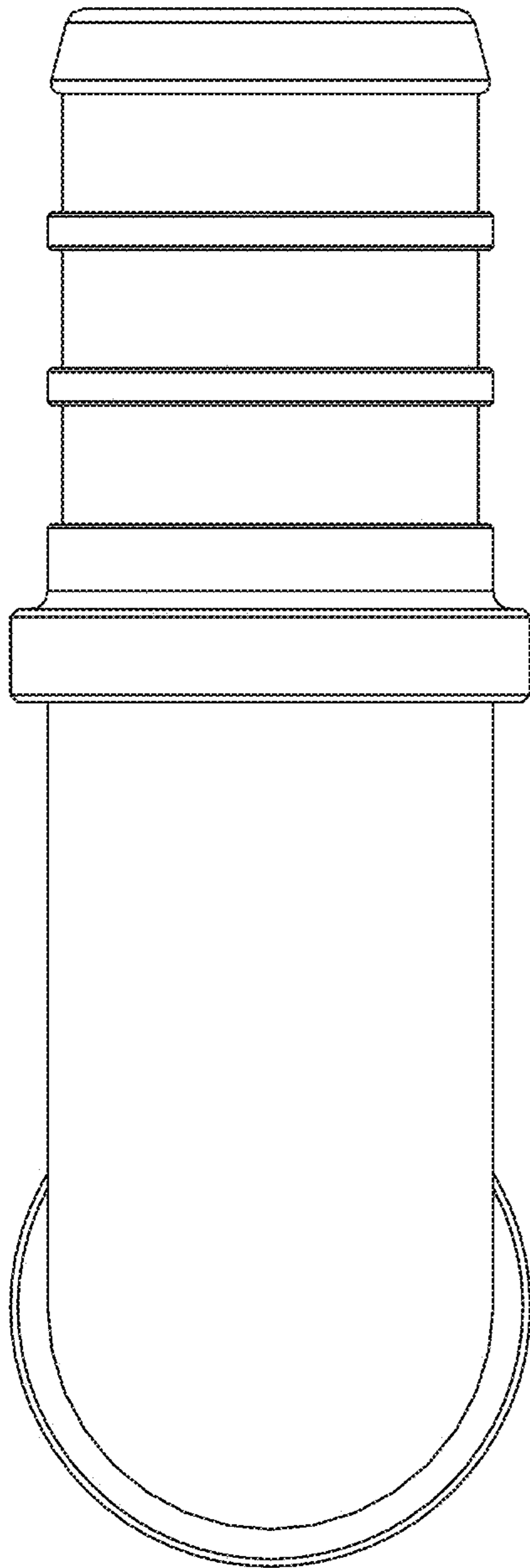


FIG. 4

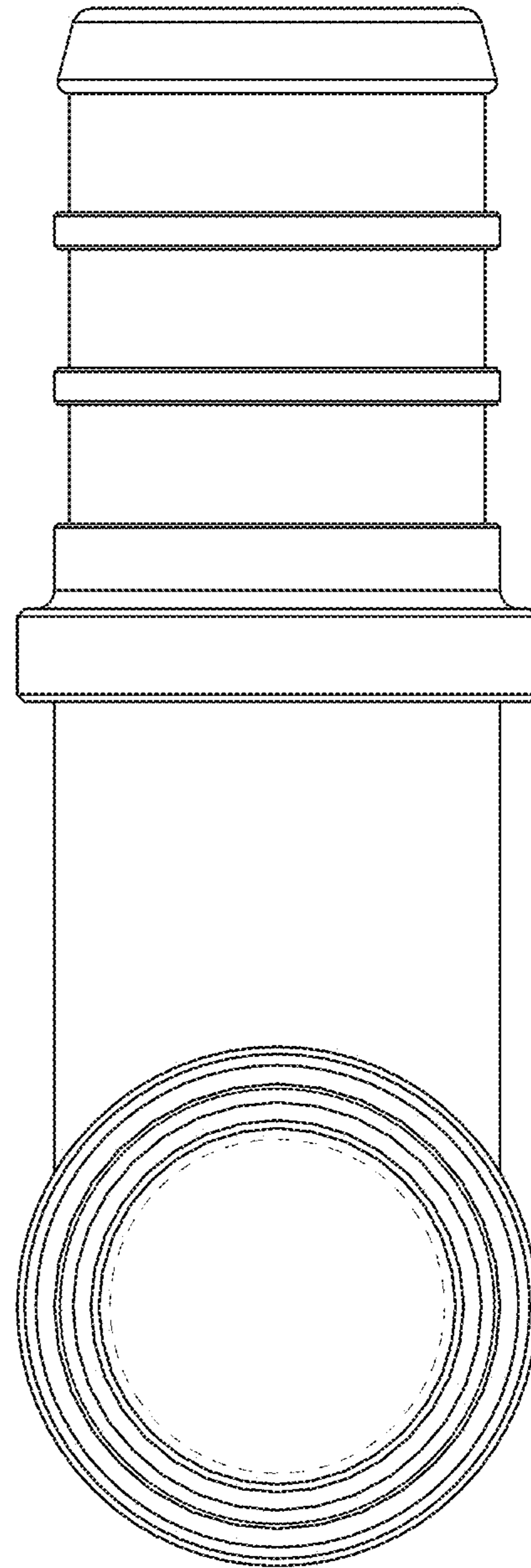


FIG. 5

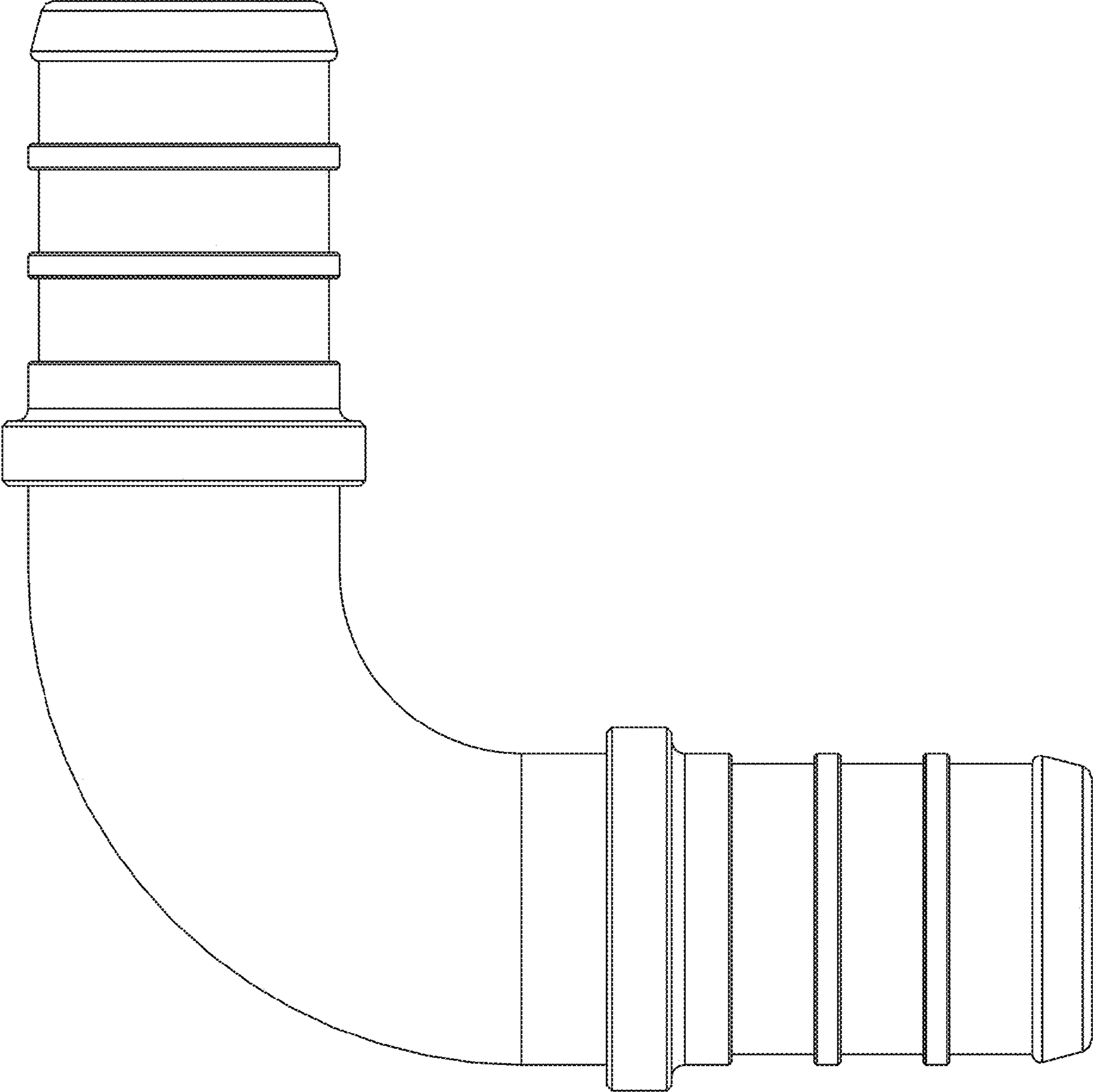


FIG. 6

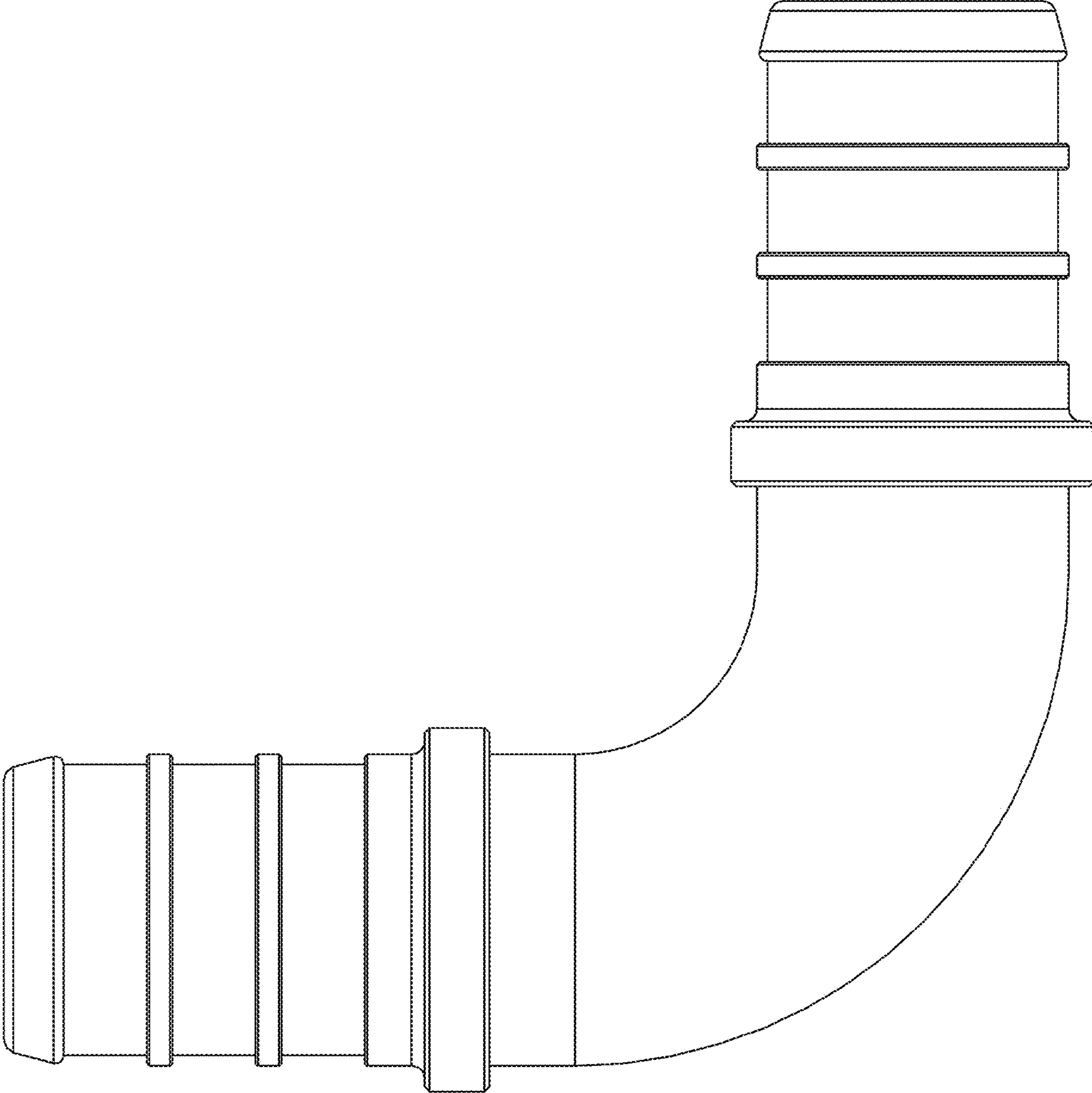


FIG. 7