



US00D971383S

(12) **United States Design Patent** (10) **Patent No.:** **US D971,383 S**
Williams (45) **Date of Patent:** **** Nov. 29, 2022**

(54) **TUB SPOUT**
(71) Applicant: **AS America, Inc.**, Piscataway, NJ (US)
(72) Inventor: **Emilie Williams**, New York, NY (US)
(73) Assignee: **AS America, Inc.**, Piscataway, NJ (US)
(**) Term: **15 Years**
(21) Appl. No.: **29/768,454**

D930,121 S * 9/2021 Zhang D23/255
D934,392 S * 10/2021 Ravassa D23/255
D954,230 S * 6/2022 Lazarini D23/255

(Continued)

FOREIGN PATENT DOCUMENTS

CA 168243 * 12/2016
CA 175780 * 8/2018
IN 223913-0001 * 12/2010

OTHER PUBLICATIONS

Moen 3857BN Brantford Replacement 7.25-Inch Tub Diverter Spout, first available Sep. 14, 2004[online], [site visited Jul. 12, 2022]. Available from internet, URL:<<https://www.amazon.com/dp/B0015BUPPS>> (Year: 2004).*

(Continued)

Primary Examiner — David G Muller
Assistant Examiner — Jamaal Rasheed
(74) *Attorney, Agent, or Firm* — Tyler A. Stevenson;
Anna-lisa L. Gallo

(22) Filed: **Jan. 29, 2021**
(51) **LOC (13) Cl.** **23-01**
(52) **U.S. Cl.**
USPC **D23/257**
(58) **Field of Classification Search**
USPC D23/238–244, 252, 254–255, 257, 499;
D7/398
CPC F16K 31/602; F16K 31/605; F16K 31/607;
E03C 1/0412
See application file for complete search history.

(57) **CLAIM**

I claim the ornamental design for a tub spout, as shown and described.

(56) **References Cited**

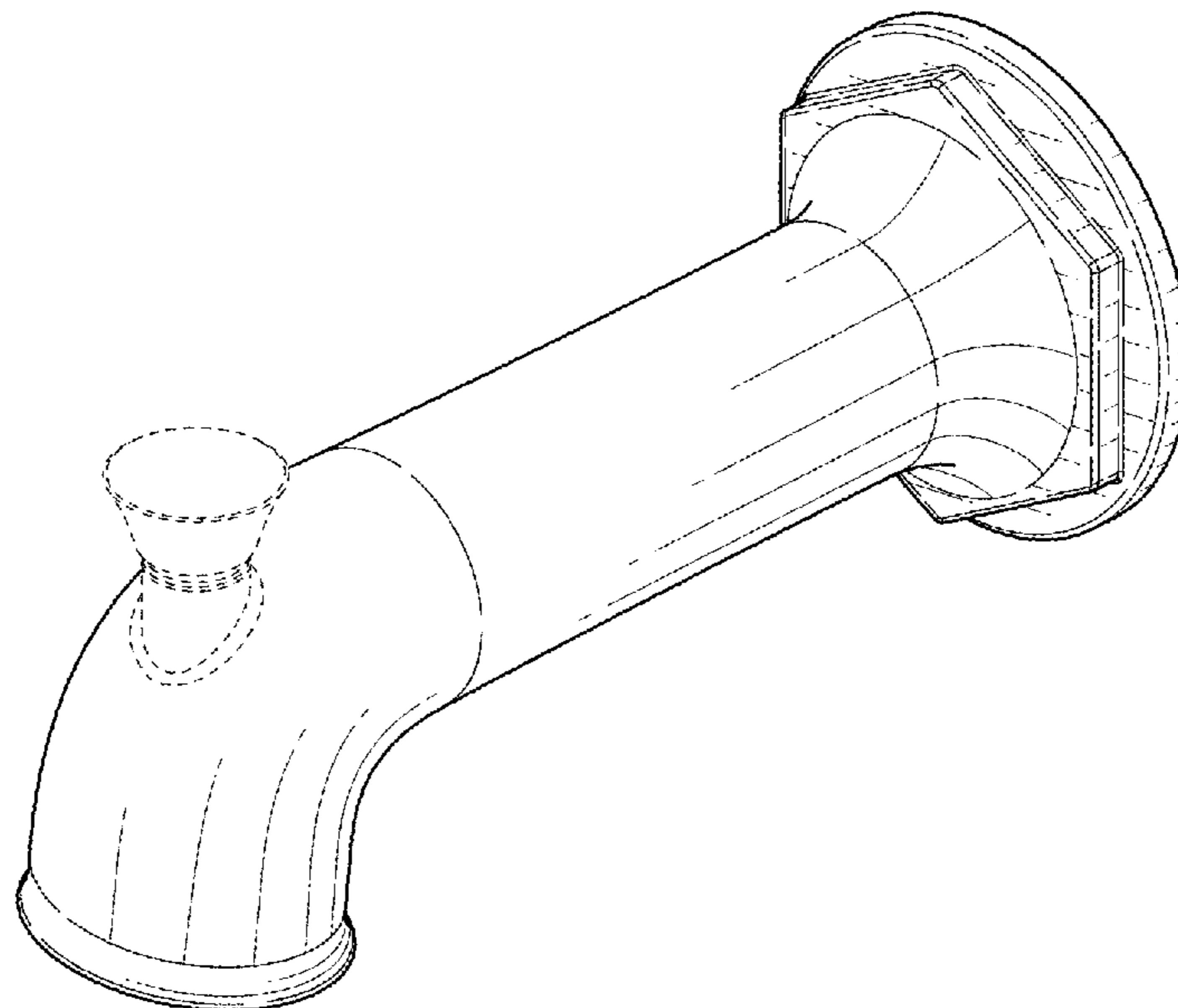
U.S. PATENT DOCUMENTS

D463,014 S * 9/2002 Lord D23/257
D463,536 S * 9/2002 Lord D23/257
D516,186 S * 2/2006 Gilbert D23/257
D529,589 S * 10/2006 Veltz D23/257
D531,279 S * 10/2006 Blomstrom D23/255
D533,258 S * 12/2006 Berberet D23/257
D551,326 S * 9/2007 Zhu D23/257
D574,062 S * 7/2008 Kohler, Jr. D23/255
D590,051 S * 4/2009 Huang D23/255
D604,397 S * 11/2009 Lin D23/249
D635,645 S * 4/2011 Rubin D23/238
D639,914 S * 6/2011 Jones D23/256
D710,975 S * 8/2014 Huang D23/255
D790,671 S * 6/2017 Zhang D23/257
D817,461 S * 5/2018 Downey D23/255
D838,815 S * 1/2019 Sedwick D23/257

DESCRIPTION

FIG. 1 is a front, top, right side perspective view of a tub spout showing my new design;
FIG. 2 is a front view thereof;
FIG. 3 is a rear view thereof;
FIG. 4 is a left side view thereof;
FIG. 5 is a right side view thereof;
FIG. 6 is a top view thereof;
FIG. 7 is a bottom view thereof; and,
FIG. 8 is a rear, bottom, left side perspective view thereof. Broken lines of the disclosure represent portions of the tub spout that form no part of the claimed design.

1 Claim, 5 Drawing Sheets



(56)

References Cited

U.S. PATENT DOCUMENTS

2015/0354187 A1* 12/2015 Wernke E03C 1/0408
137/603

OTHER PUBLICATIONS

Moen 193371BN Belfield Replacement Tub Non-Diverter Spout, first available Jun. 26, 2019[online], [site visited Jul. 12, 2022]. Available from internet, URL:<<https://www.amazon.com/dp/B07RJTFTKD>> (Year: 2019).*

Danco Decorative Bathtub Faucet Spout, first available Dec. 10, 2010[online], [site visited Jul. 14, 2022]. Available from internet, URL:<<https://www.amazon.com/Decorative-Bathtub-Faucet-Diverter-10315/dp/B004E0Z91M>> (Year: 2010).*

* cited by examiner

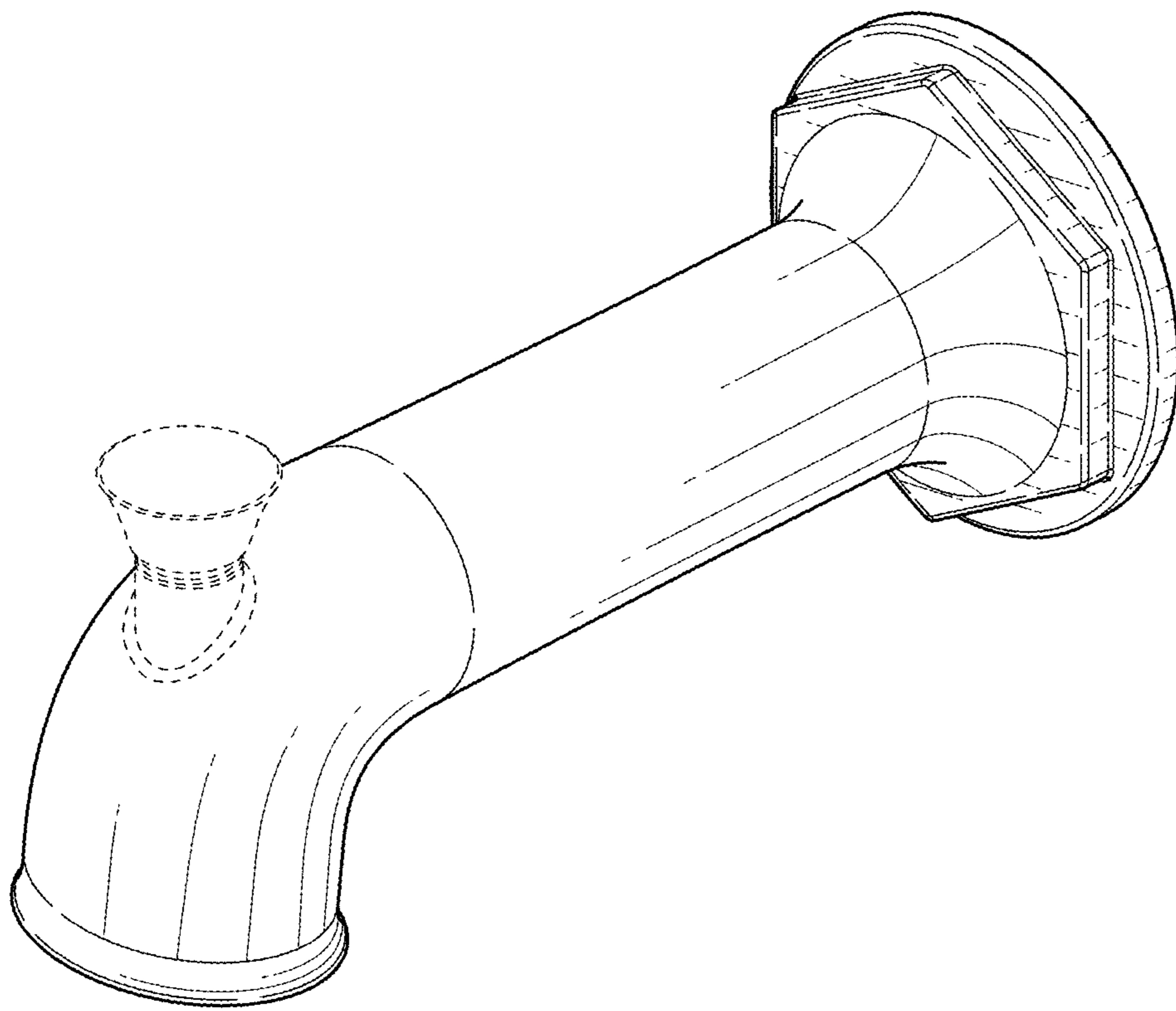


FIG. 1

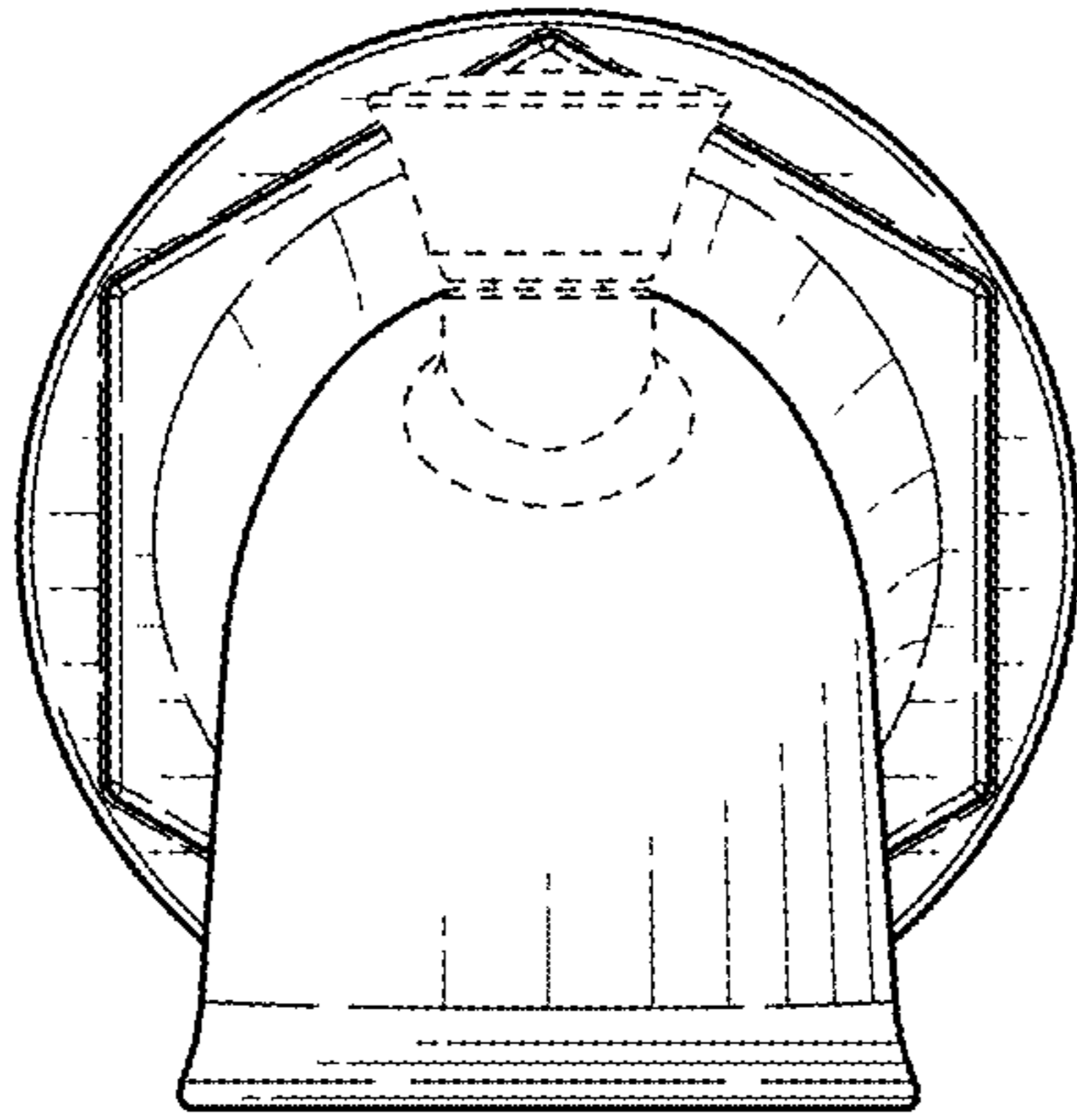


FIG. 2

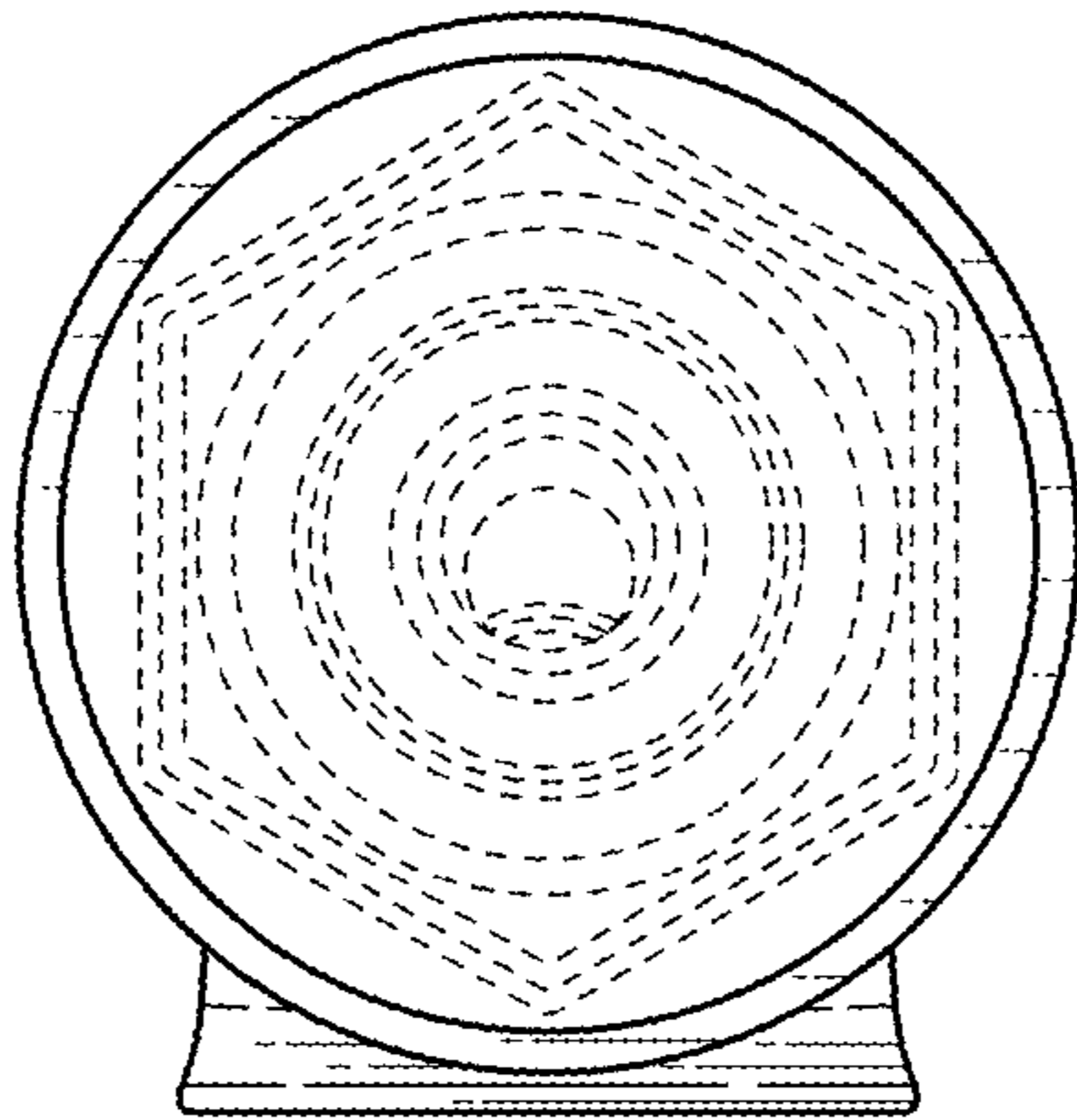


FIG. 3

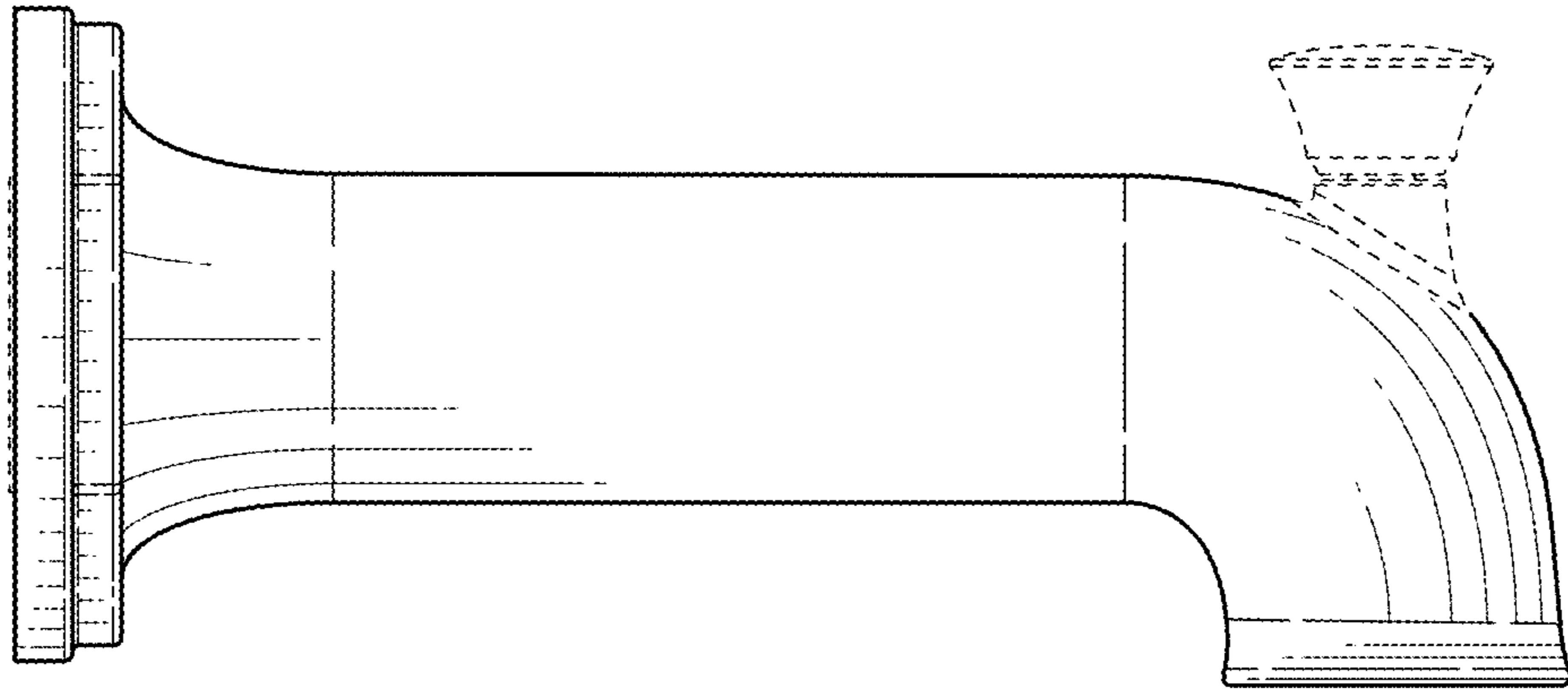


FIG. 4

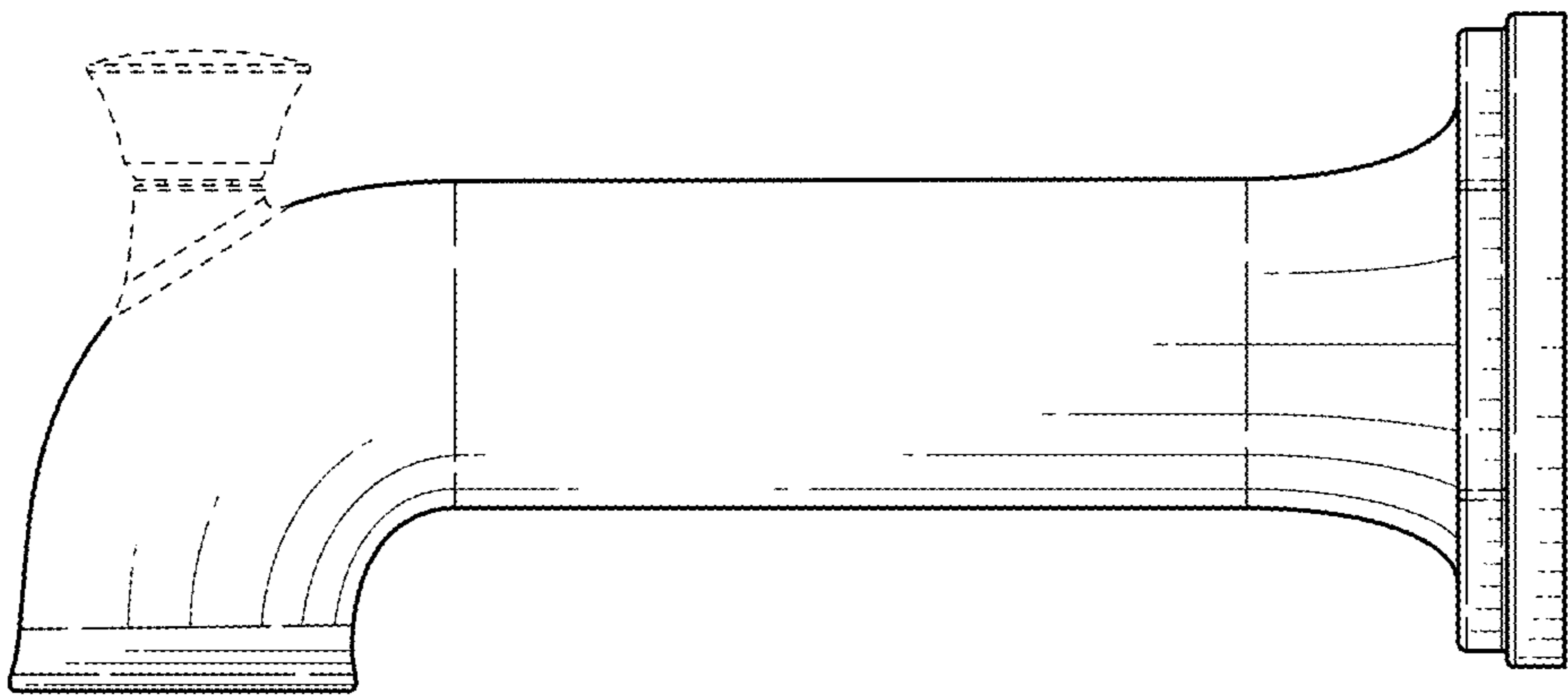


FIG. 5

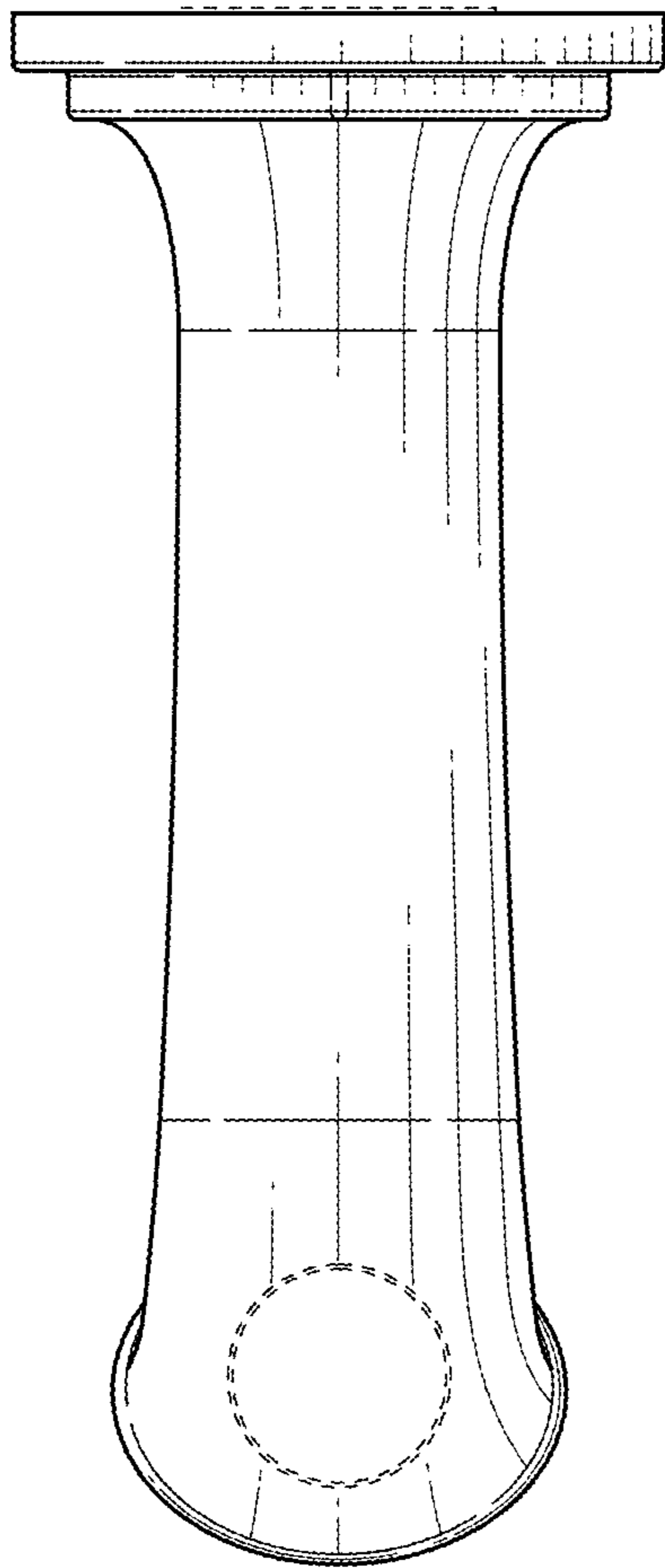


FIG. 6

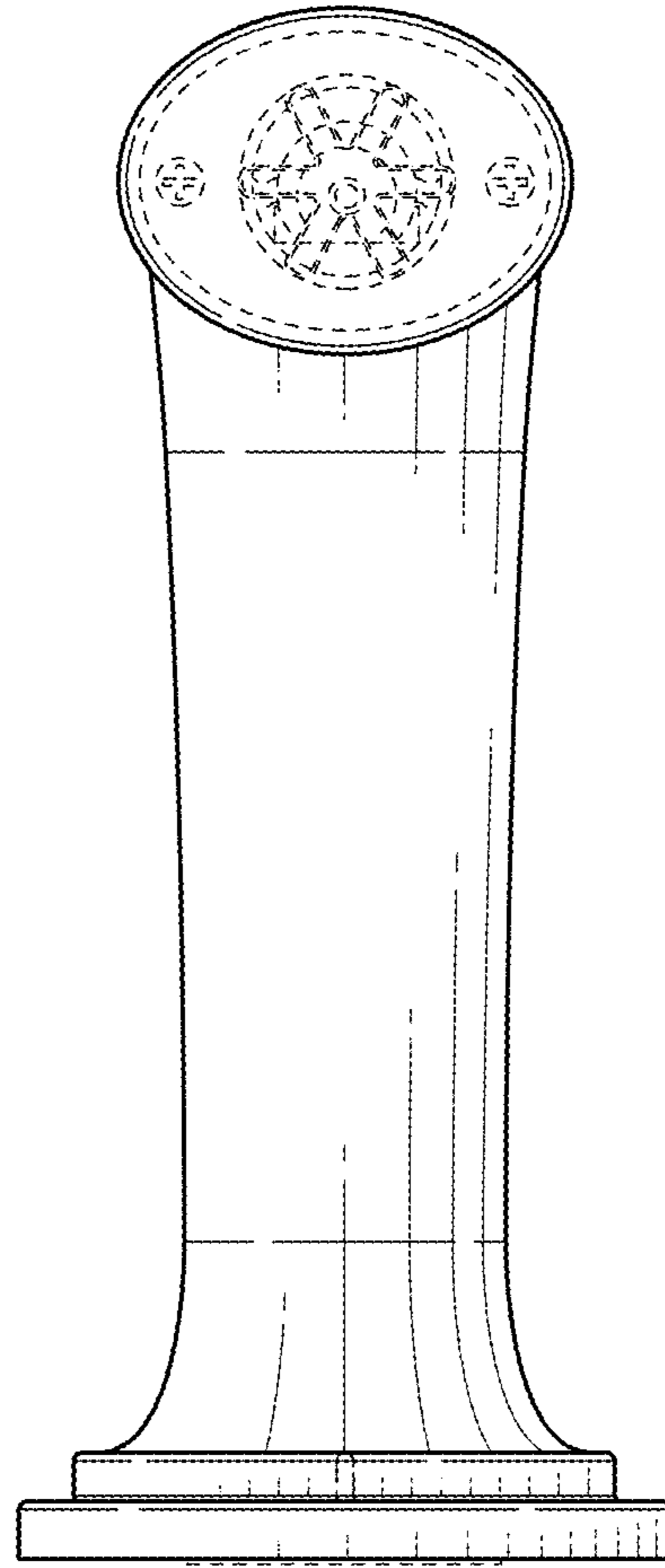


FIG. 7

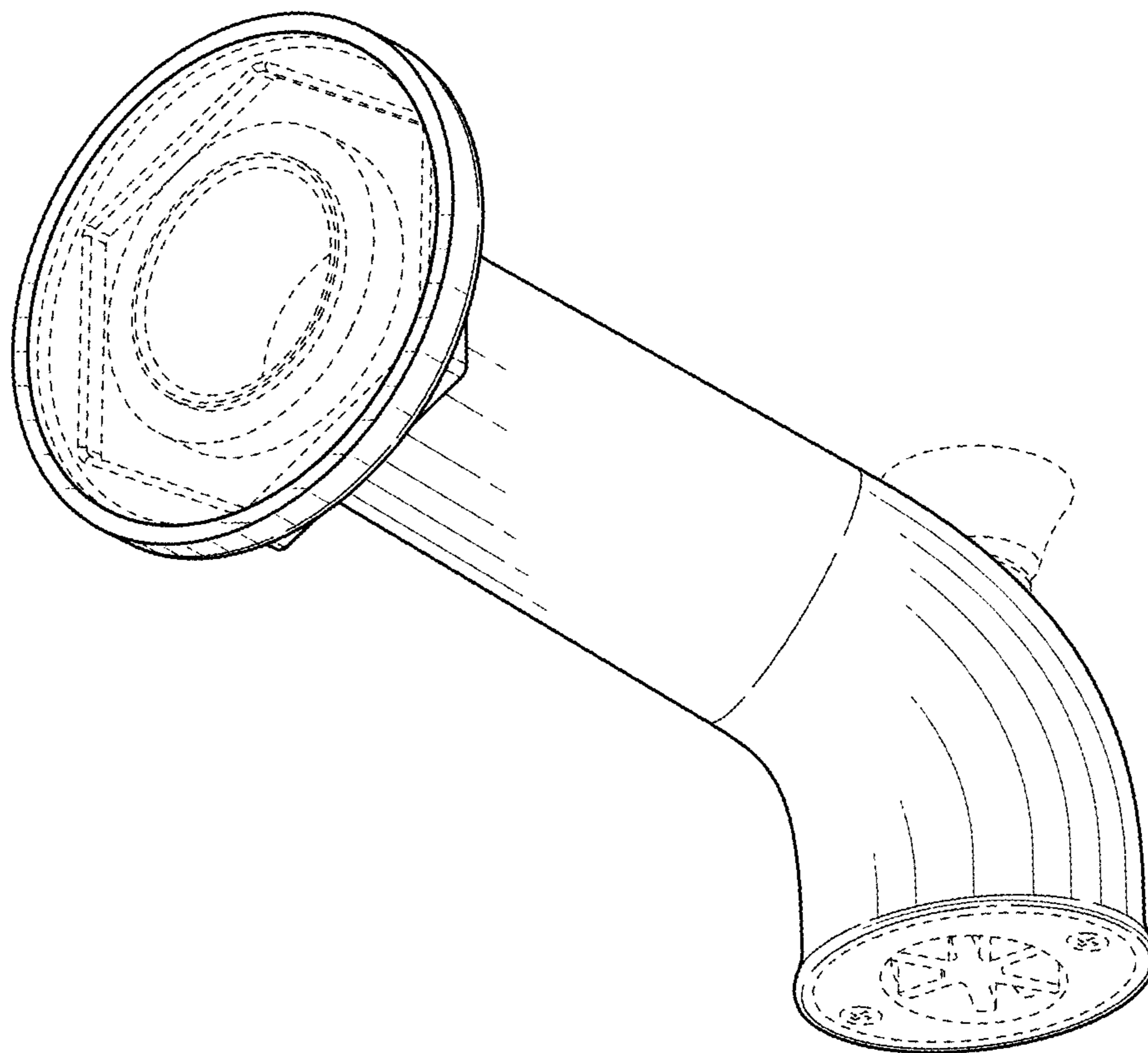


FIG. 8