



US00D971382S

(12) **United States Design Patent** (10) **Patent No.:** **US D971,382 S**  
**Tu** (45) **Date of Patent:** **\*\* Nov. 29, 2022**

(54) **SPOUT**

FOREIGN PATENT DOCUMENTS

(71) Applicant: **Globe Union Industrial Corp.,**  
Taichung (TW)

CA 187441 \* 5/2020

(72) Inventor: **Chun-Yi Tu,** Taichung (TW)

OTHER PUBLICATIONS

(73) Assignee: **Globe Union Industrial Corp.,**  
Taichung (TW)

Delta Faucet RP93376 Diverter Tub Spout, first available Nov. 28, 2018[online], [site visited Jul. 12, 2022]. Available from internet, URL: <<https://www.amazon.com/Delta-Faucet-RP93376-Diverter-Chrome/dp/B07JQDN3PR?th=1>> (Year: 2018).\*

(\*\*) Term: **15 Years**

\* cited by examiner

(21) Appl. No.: **29/766,225**

*Primary Examiner* — David G Muller  
*Assistant Examiner* — Jamaal Rasheed

(22) Filed: **Jan. 14, 2021**

(51) **LOC (13) Cl.** ..... **23-01**

(74) *Attorney, Agent, or Firm* — Karin L. Williams; Alan D. Kamrath; Mayer & Williams PC

(52) **U.S. Cl.**  
USPC ..... **D23/257**

(58) **Field of Classification Search**  
USPC ..... D23/238–244, 252, 254–255, 257, 499;  
D7/398  
CPC .... F16K 31/602; F16K 31/605; F16K 31/607;  
E03C 1/0412

(57) **CLAIM**

The ornamental design for a spout, as shown and described.

See application file for complete search history.

**DESCRIPTION**

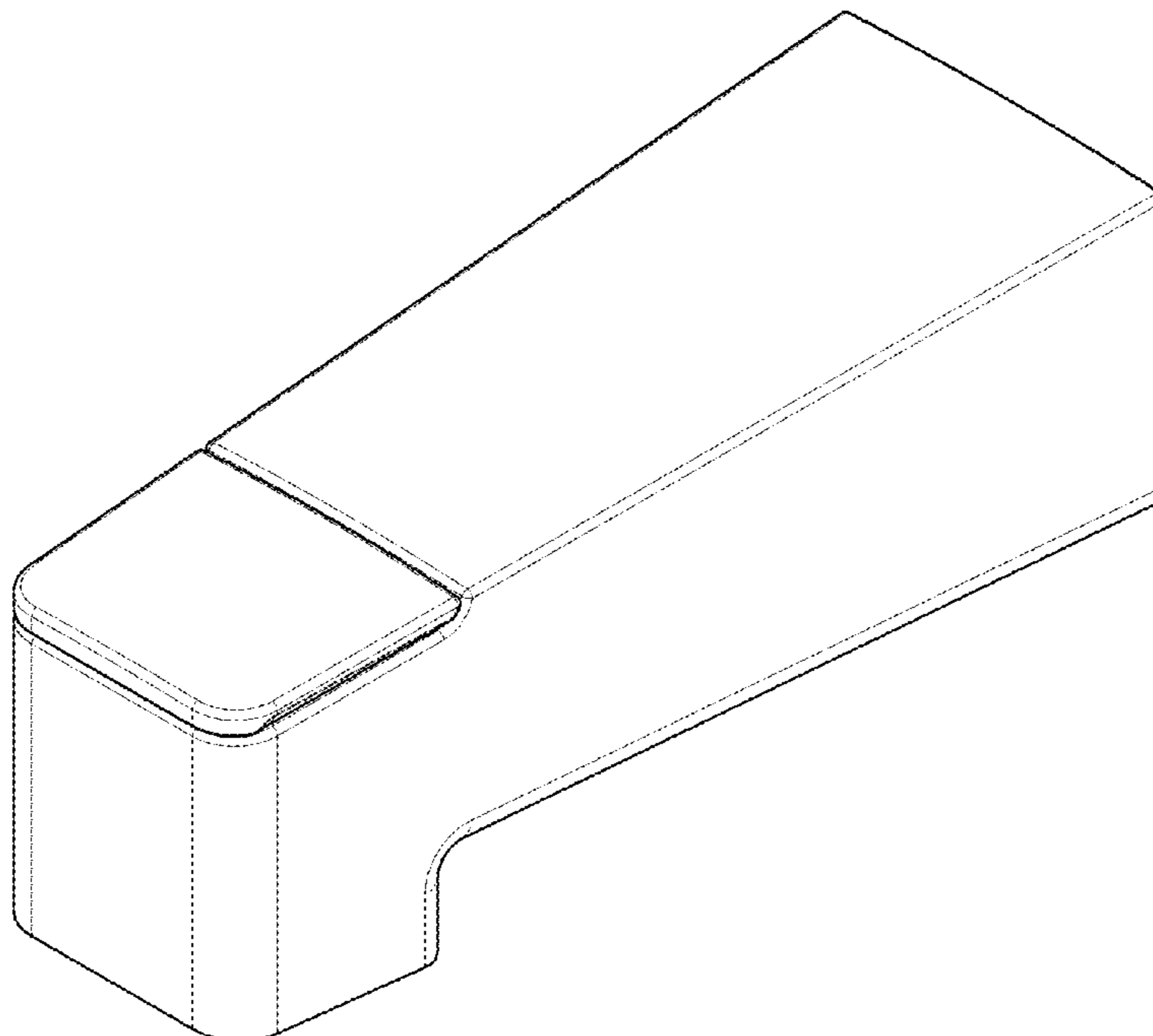
(56) **References Cited**

FIG. 1 is a perspective view of a spout showing my new design;  
FIG. 2 is a front elevational view thereof;  
FIG. 3 is a rear elevational view thereof;  
FIG. 4 is a left side elevational view thereof;  
FIG. 5 is a right side elevational view thereof;  
FIG. 6 is a top plan view thereof; and,  
FIG. 7 is a bottom plan view thereof.  
The broken-line disclosures in the view represent portions of the spout in which the claimed design is embodiment, but which forms no part of the claimed design.

U.S. PATENT DOCUMENTS

D317,350 S *	6/1991	Freed	.....	D23/257
D508,979 S *	8/2005	Otero	.....	D23/255
D551,326 S *	9/2007	Zhu	.....	D23/257
D619,223 S *	7/2010	Sofield	.....	D23/255
D645,939 S *	9/2011	Huang	.....	D23/238
D687,520 S *	8/2013	Lord	.....	D23/255
D692,102 S *	10/2013	Newson	.....	D23/238
D710,976 S *	8/2014	Huang	.....	D23/255
D791,286 S *	7/2017	Downey	.....	D23/257
D870,187 S *	12/2019	Joulani	.....	D16/242
D903,056 S *	11/2020	Seum	.....	D23/255

**1 Claim, 5 Drawing Sheets**



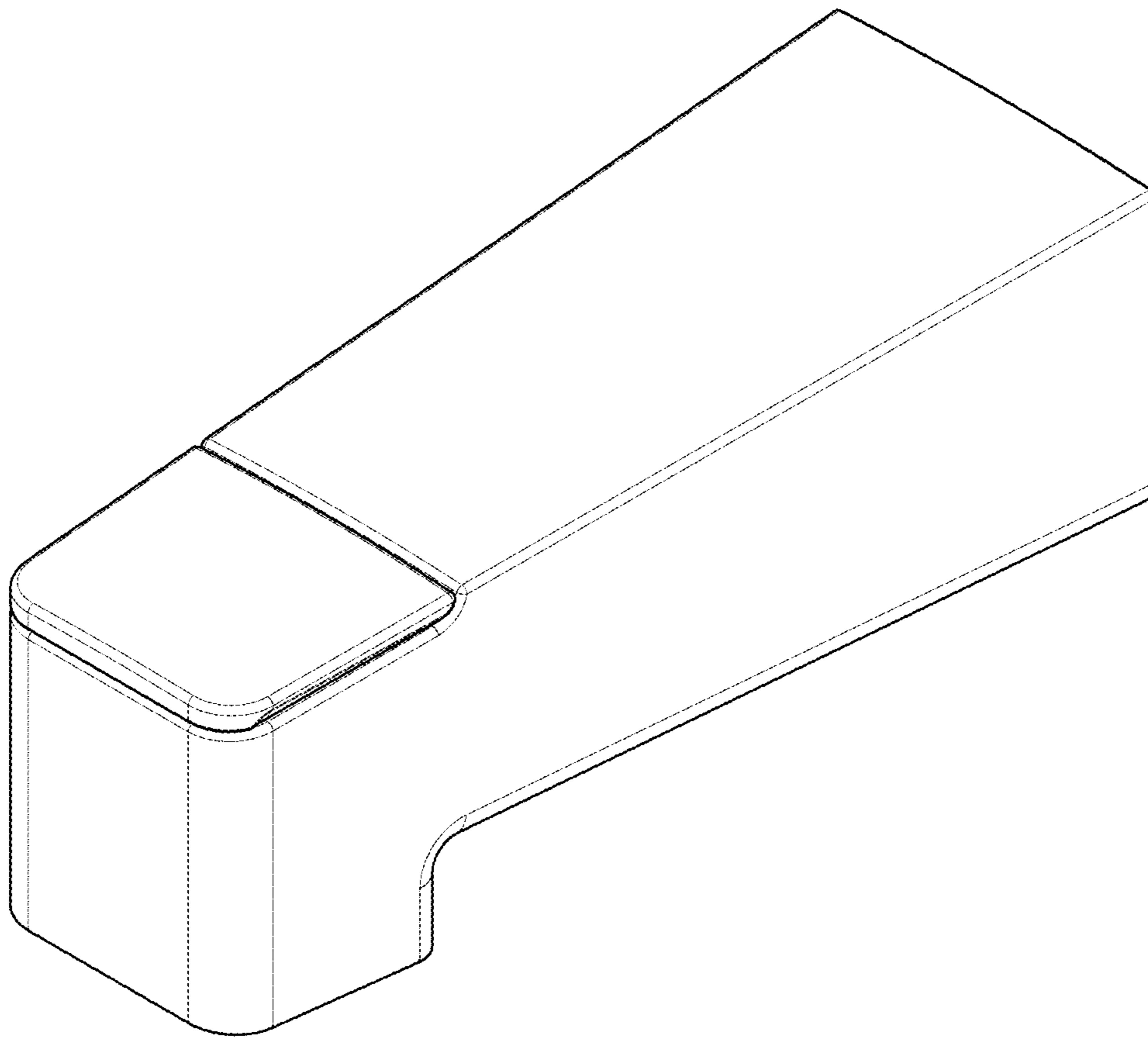


FIG. 1

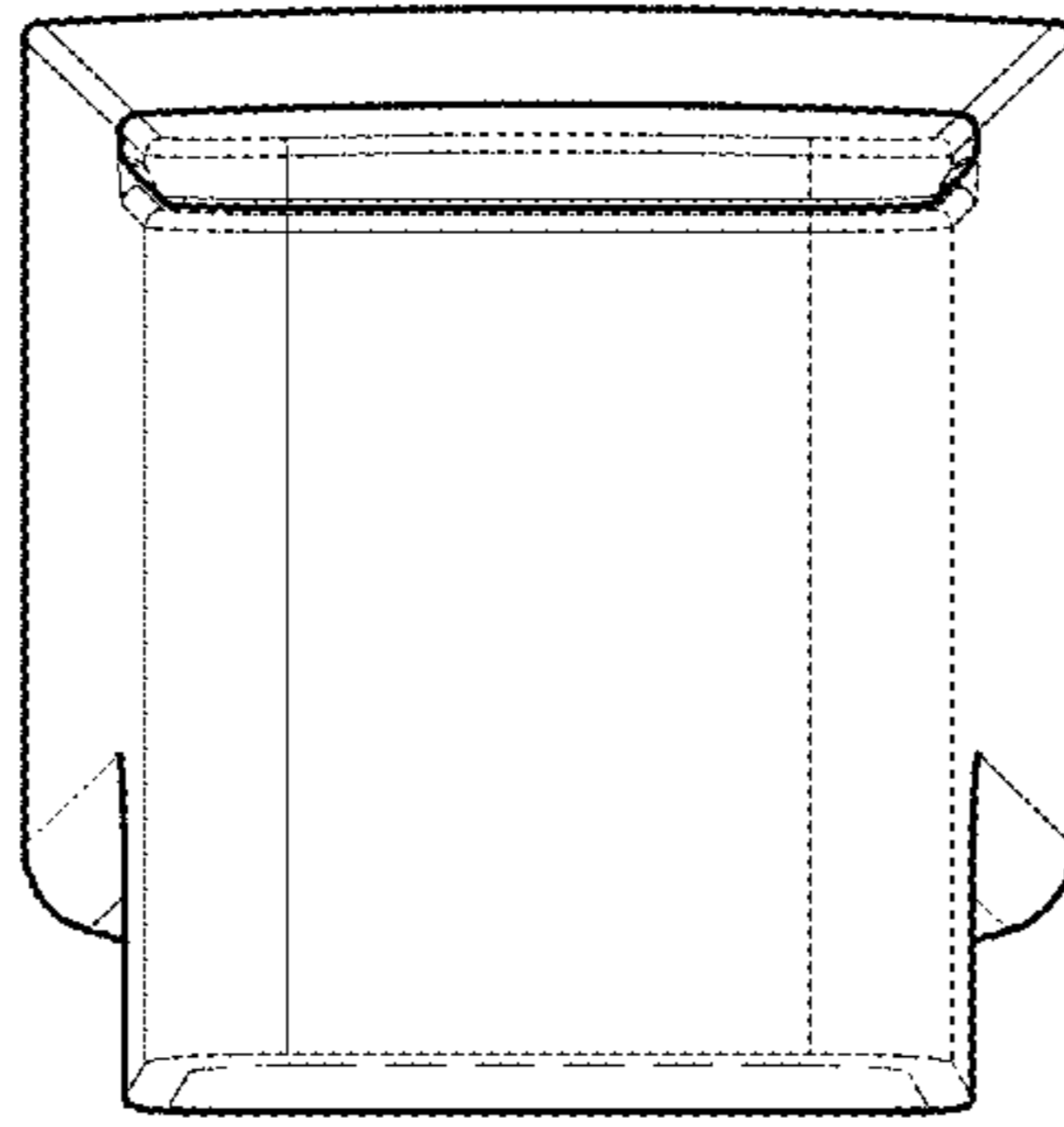


FIG. 2

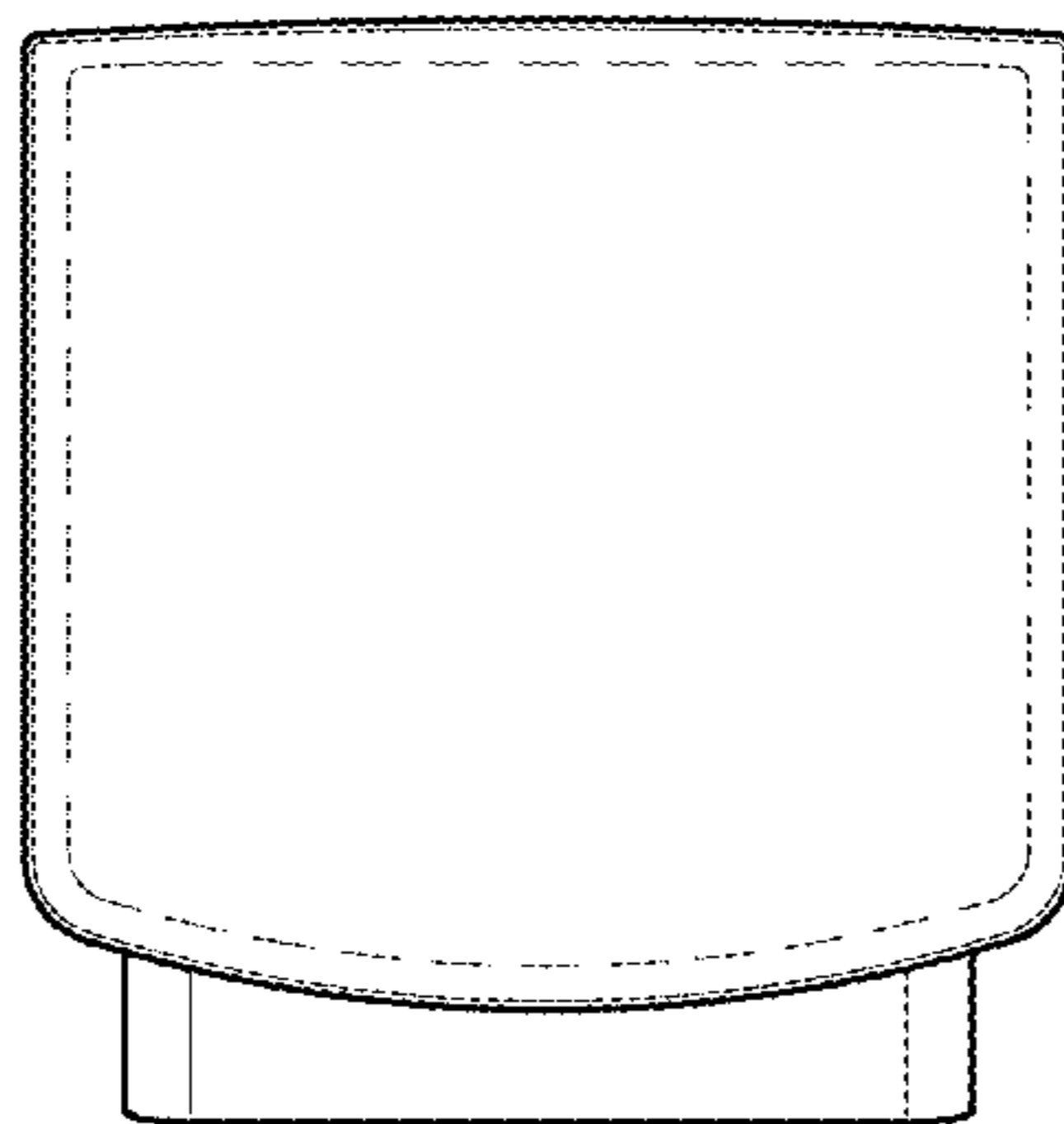


FIG. 3

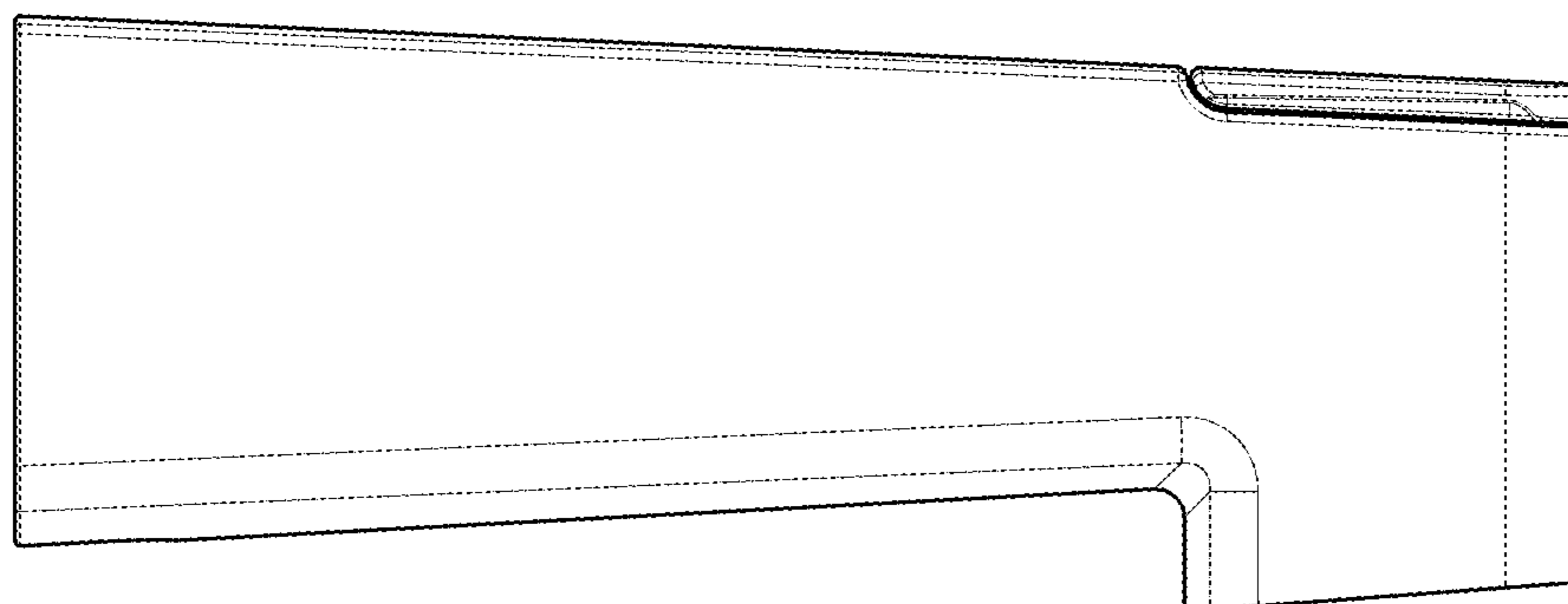


FIG. 4

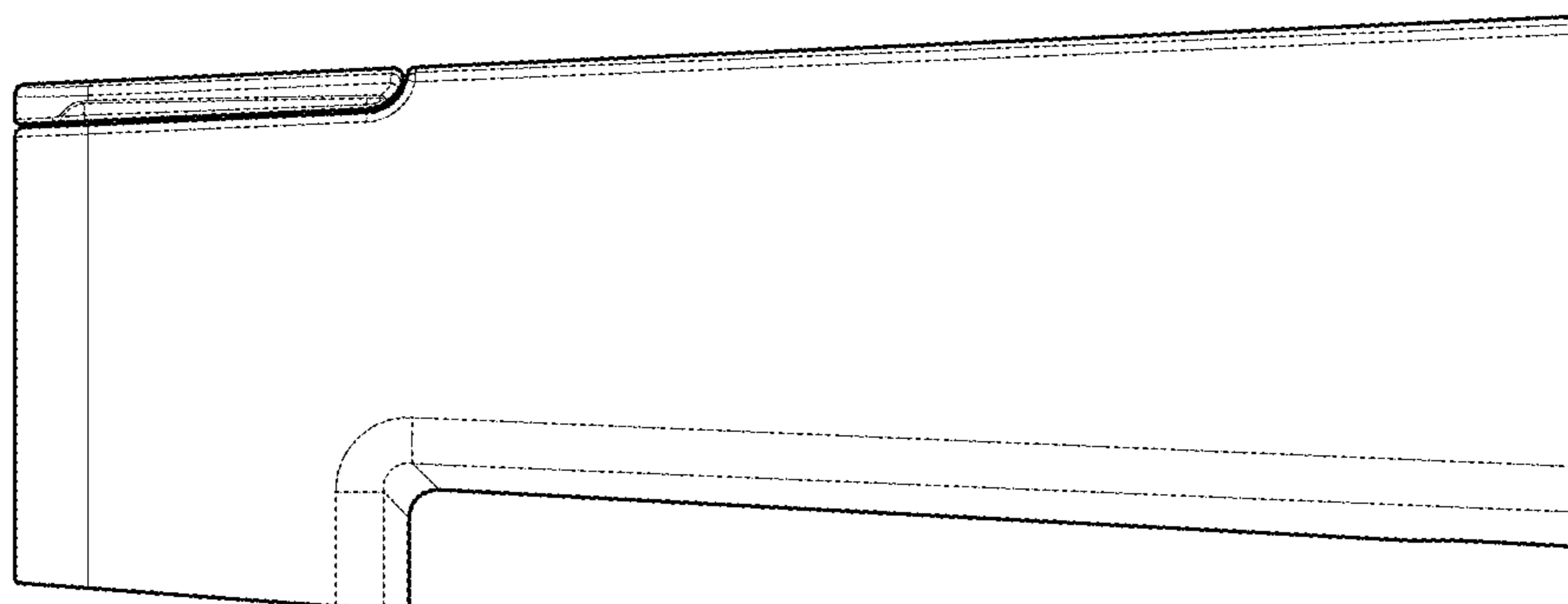


FIG. 5

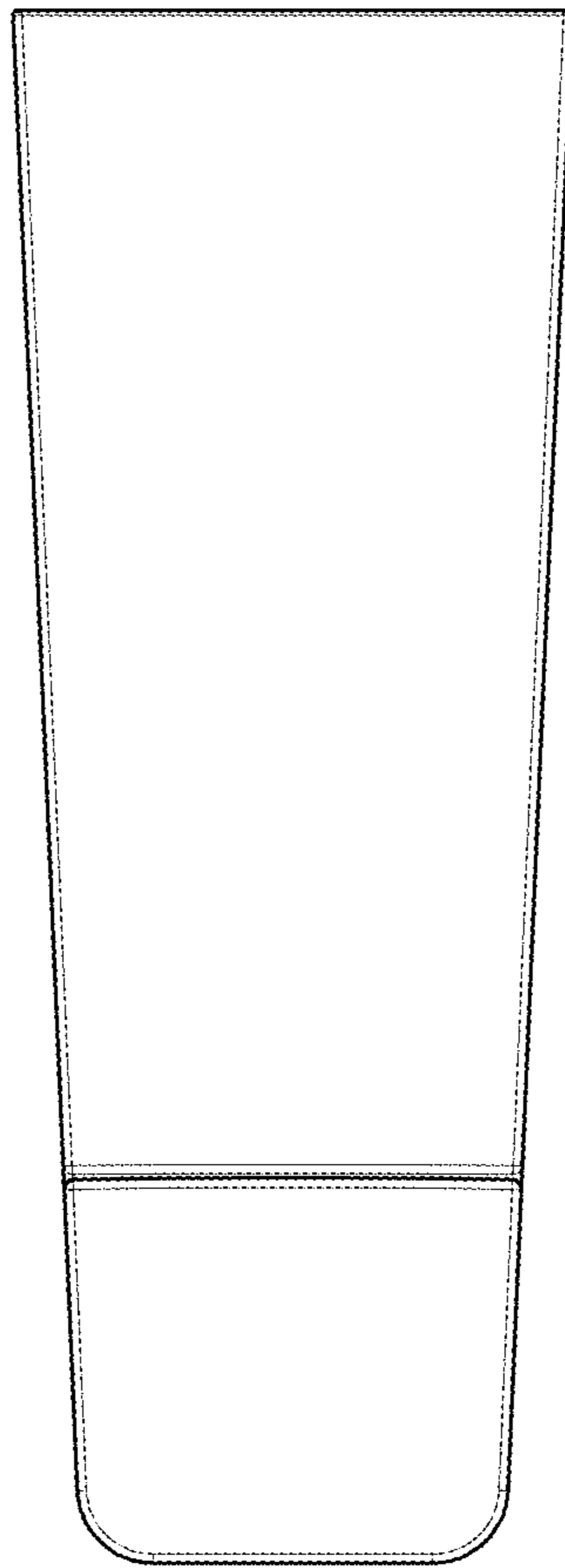


FIG. 6

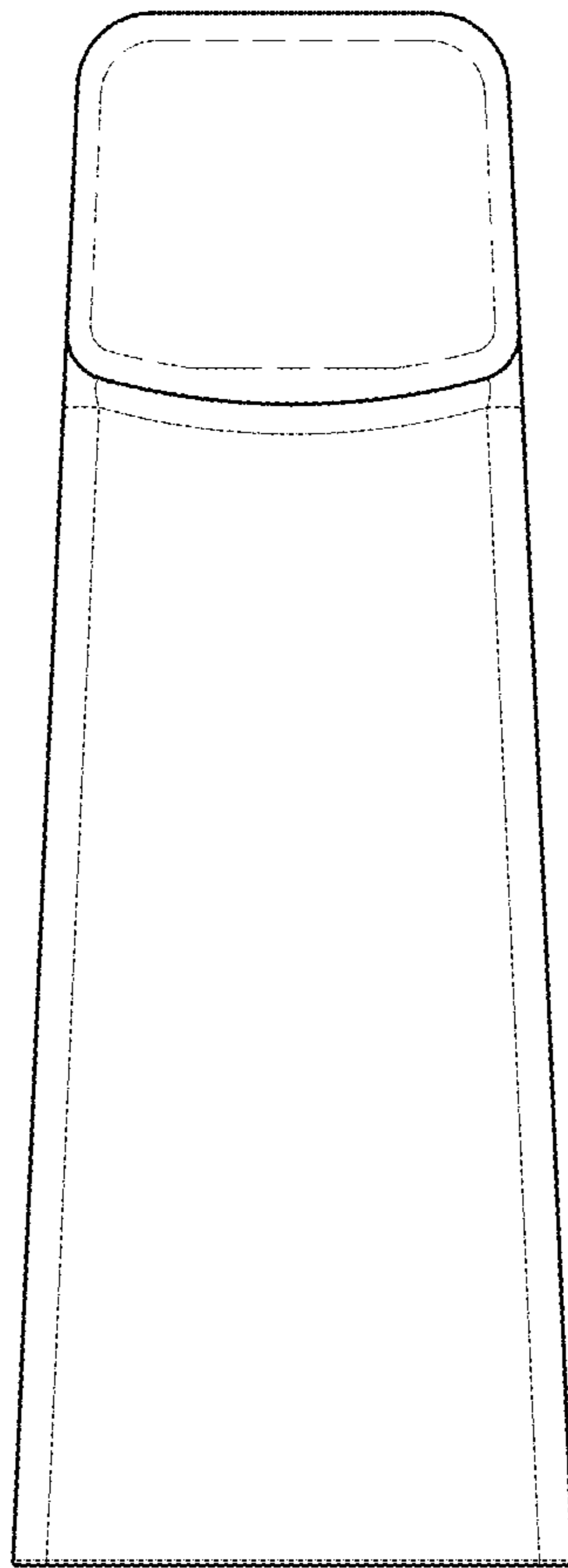


FIG. 7