



US00D971381S

(12) **United States Design Patent**
Chen

(10) **Patent No.:** **US D971,381 S**

(45) **Date of Patent:** **** Nov. 29, 2022**

(54) **KITCHEN FAUCET**

(71) Applicant: **Wenzhou Wanfan Sanitary Ware Co., Ltd., Zhejiang (CN)**

(72) Inventor: **Jian Chen, Wenzhou (CN)**

(**) Term: **15 Years**

(21) Appl. No.: **29/733,157**

(22) Filed: **Apr. 30, 2020**

(51) **LOC (13) Cl.** **23-01**

(52) **U.S. Cl.**

USPC **D23/238**

(58) **Field of Classification Search**

USPC D23/238, 239, 240, 241, 242, 243, 246,
D23/247, 249, 250, 251, 252, 253, 254,
D23/255, 256, 257

CPC E03C 1/00; E03C 1/01; E03C 1/02; E03C
1/023; E03C 1/04; E03C 1/0401; E03C
1/0403; E03C 1/0404; E03C 1/0412;
E03C 1/05; E03C 1/042; F16K 31/60

See application file for complete search history.

(56) **References Cited**

U.S. PATENT DOCUMENTS

D520,114 S *	5/2006	Starck	D23/238
D528,189 S *	9/2006	Kulig	D23/238
D534,620 S *	1/2007	Zhou	D23/238
D564,074 S *	3/2008	Zhang	D23/238
D698,902 S *	2/2014	Gilbert	D23/249
D698,903 S *	2/2014	Gilbert	D23/249
D709,166 S *	7/2014	Yu	D23/238
D786,404 S *	5/2017	Kaule	D23/238
D807,989 S *	1/2018	Kaule	D23/213
D811,527 S *	2/2018	Fritz	D23/238
D811,552 S *	2/2018	Fritz	D23/255
D812,196 S *	3/2018	Clarke	D23/257
D825,035 S *	8/2018	Rexach	D23/249
D835,238 S *	12/2018	Ziemann	D23/238
D837,939 S *	1/2019	Clarke	D23/238
D846,084 S *	4/2019	Kaule	D23/257

D857,844 S *	8/2019	Levi	D23/238
D862,647 S *	10/2019	Zeng	D23/238
D862,648 S *	10/2019	Zeng	D23/238
D863,506 S *	10/2019	Hayner	D23/238
D864,356 S *	10/2019	Zhang	D23/238
D873,380 S *	1/2020	Judge	D23/238

(Continued)

FOREIGN PATENT DOCUMENTS

CN	201630623393	*	12/2016
CN	201830444687.7	*	8/2018
CN	202030723874.6	*	11/2020

OTHER PUBLICATIONS

Amazon, Arputhy 3 Way Filter Kitchen Tap, posted Sep. 9, 2019, [online], [visited Apr. 19, 2022]. Internet, <URL; <https://www.amazon.co.uk/Arputhy-Kitchen-Drinking-Purifier-Brushed/dp/B07XJWY52X/ref>> (Year: 2019).*

(Continued)

Primary Examiner — Samantha Wood

(74) *Attorney, Agent, or Firm* — Sandy Lipkin

(57) **CLAIM**

The ornamental design for a kitchen faucet, as shown and described.

DESCRIPTION

FIG. 1 is a front view of the kitchen faucet, showing my new design;

FIG. 2 is a top plan view thereof;

FIG. 3 is a bottom plan view thereof;

FIG. 4 is a rear plan view thereof;

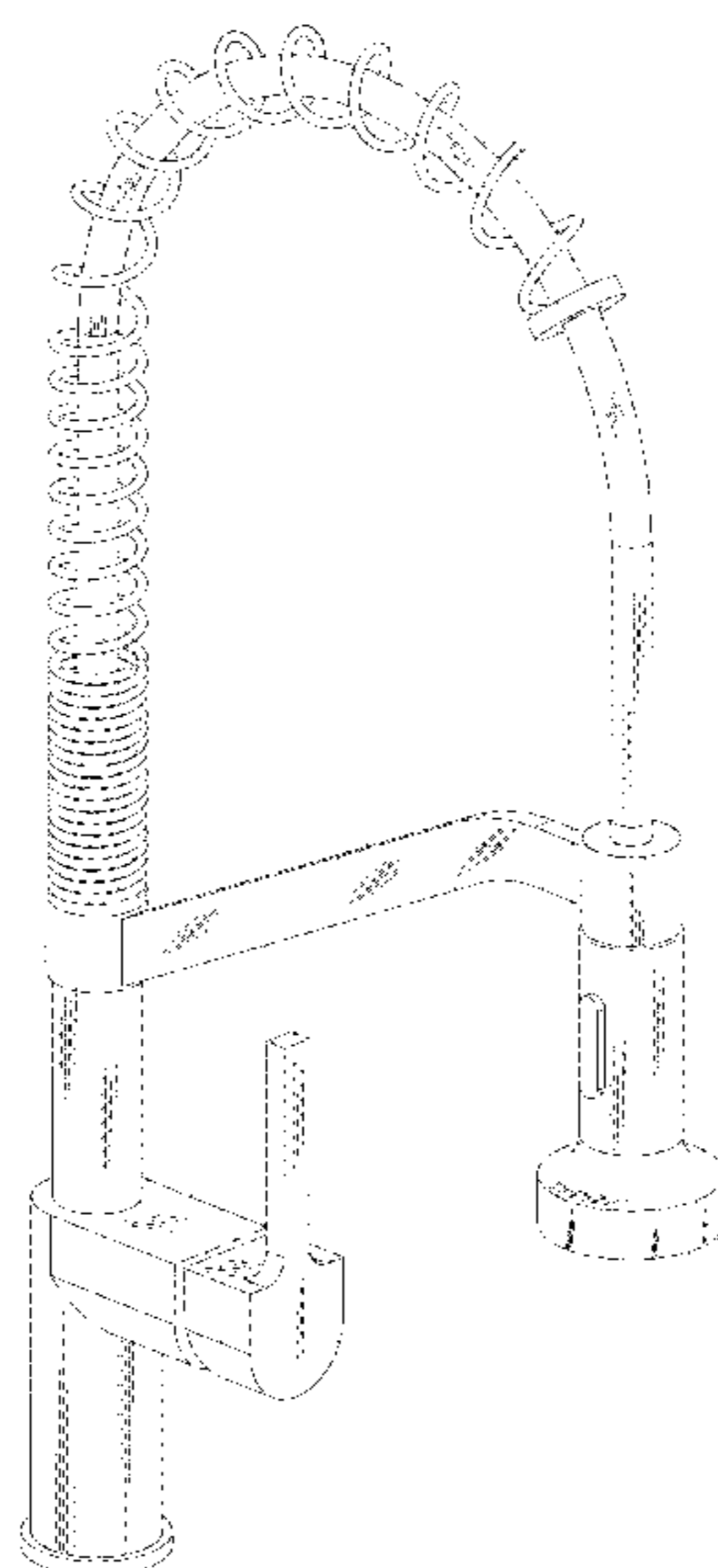
FIG. 5 is a left plan view thereof; and

FIG. 6 is a right plan view thereof; and,

FIG. 7 is a perspective view thereof.

The broken lines in the drawing depict portions of the kitchen faucet that form no part of the claimed design.

1 Claim, 7 Drawing Sheets



(56)

References Cited

U.S. PATENT DOCUMENTS

D890,887 S	*	7/2020	Levi	D23/255
D904,576 S	*	12/2020	Levi	D23/255
D912,775 S	*	3/2021	Yang	D23/238
D914,143 S	*	3/2021	Levi	D23/238
D914,154 S	*	3/2021	Seum	D23/242
D914,842 S	*	3/2021	Zhang	D23/226
D915,553 S	*	4/2021	Seum	D23/238
D915,562 S	*	4/2021	Seum	D23/255
D927,647 S	*	8/2021	Liang	D23/238
D931,416 S	*	9/2021	Chen	D23/238
D941,437 S	*	1/2022	Johnson	D23/255

OTHER PUBLICATIONS

Amazon, Gimli Gold Kitchen Faucet with Sprayer, posted May 13, 2020, [online], [visited Apr. 19, 2022]. Internet, <URL: <https://www.amazon.co.uk/Kitchen-Sprayer-Stainless-kitchen-Brushed/dp/B088JPQGWK/ref?th=1>> (Year: 2020).*

Amazon, Grohe 30361000 Get Professional Kitchen Tap, posted Jun. 9, 2018, [online], [visited Apr. 22, 2022]. Internet, <URL: <https://www.amazon.co.uk/Grohe-Single-Lever-Sink-30361000/dp/B07DLFXX7C/ref>> (Year: 2018).*

* cited by examiner

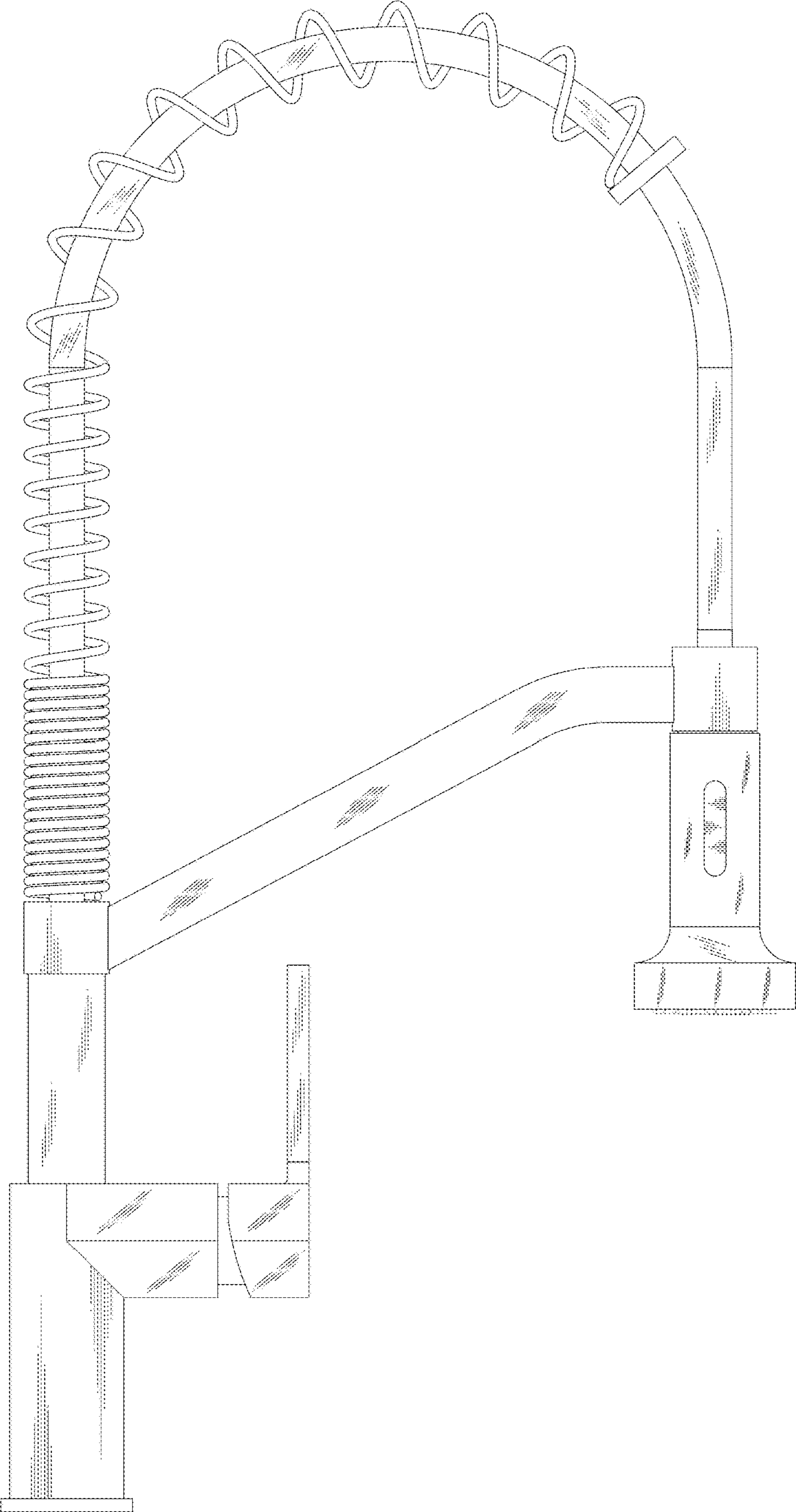


FIG. 1

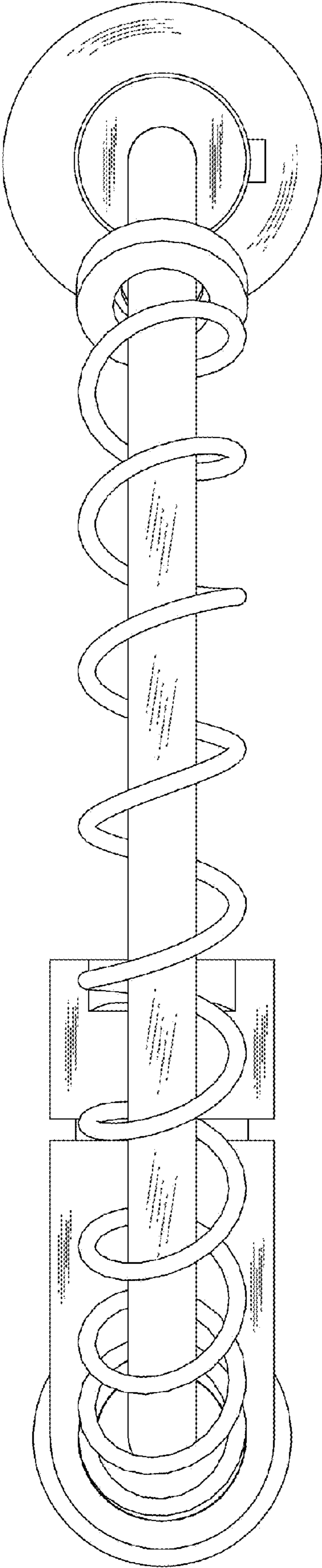


FIG. 2

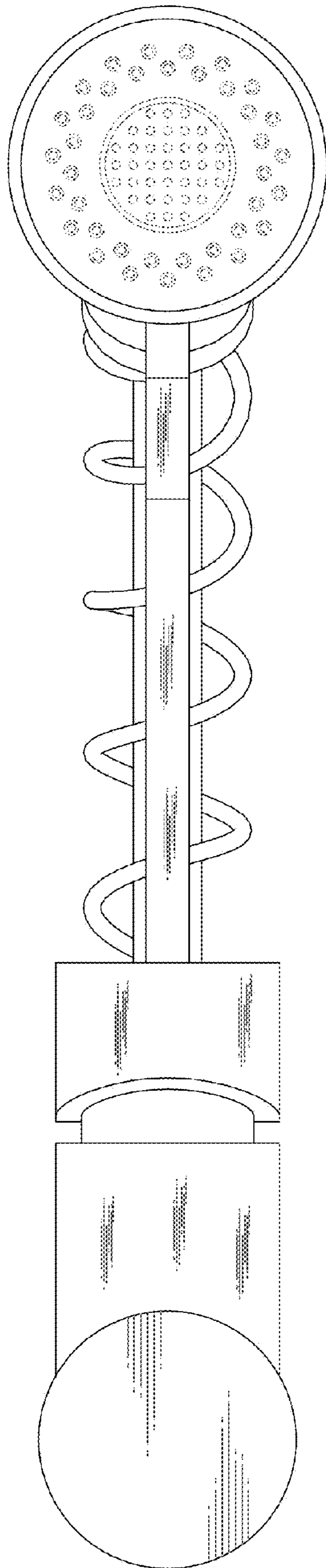


FIG. 3

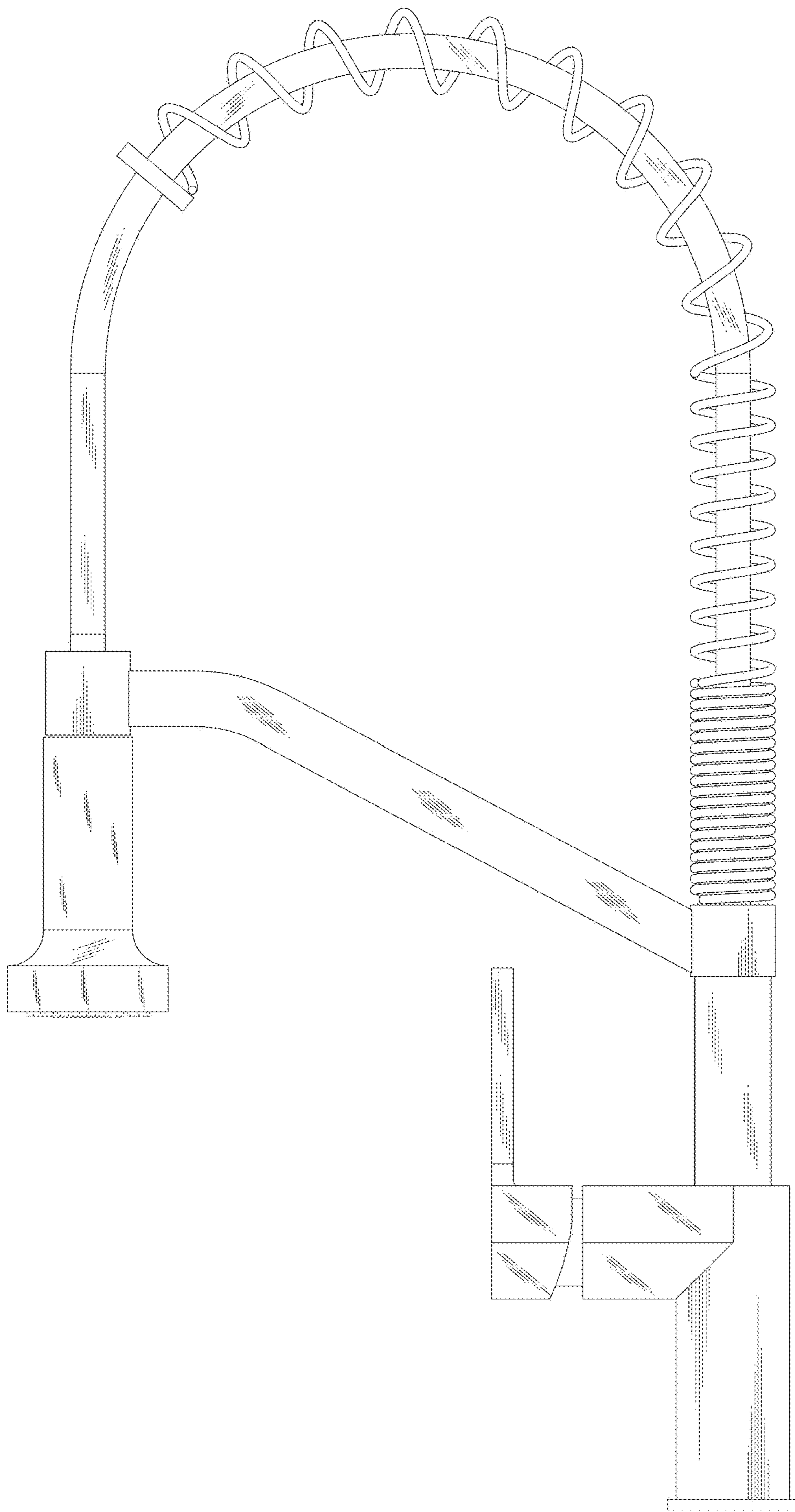


FIG. 4

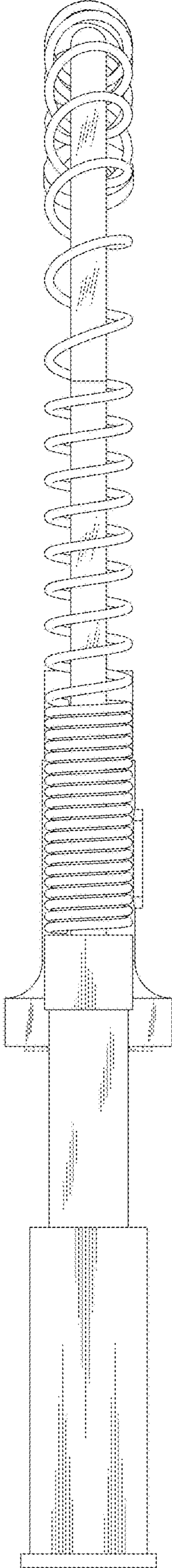


FIG. 5

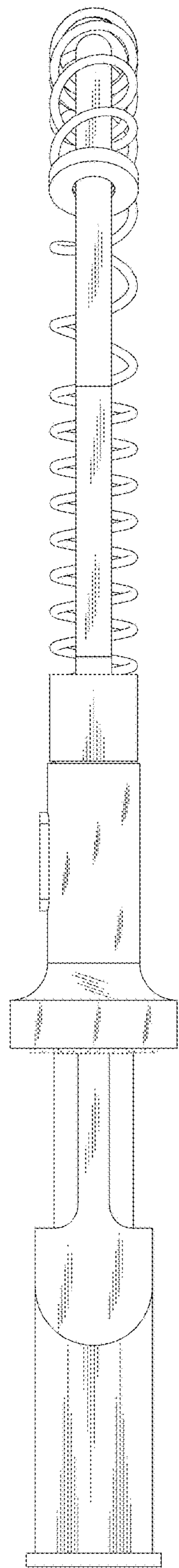


FIG. 6

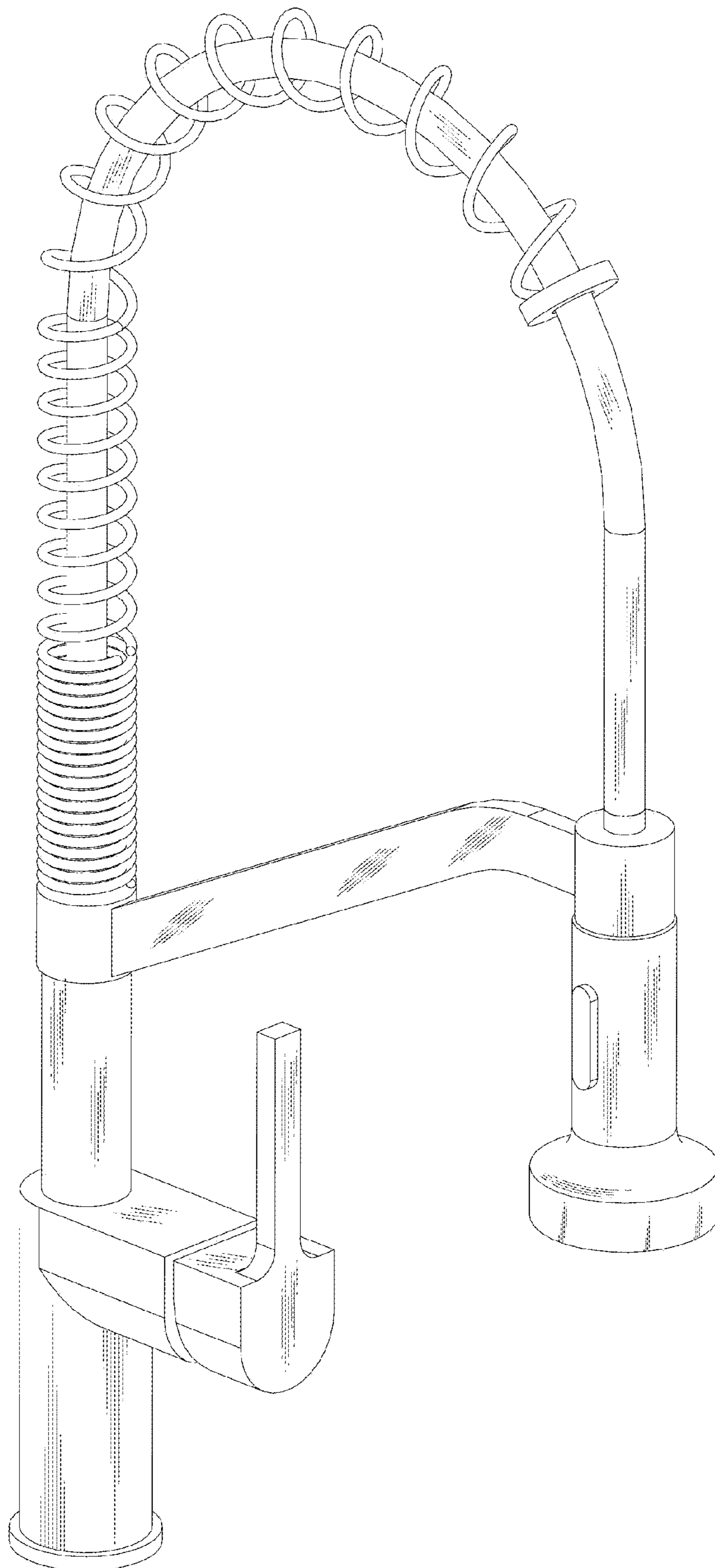


FIG. 7