



US00D971378S

(12) **United States Design Patent** (10) **Patent No.:** **US D971,378 S**  
**Zou** (45) **Date of Patent:** **\*\* Nov. 29, 2022**

(54) **HANDHELD SHOWERHEAD**  
(71) Applicant: **Kang Zou**, Changsha (CN)  
(72) Inventor: **Kang Zou**, Changsha (CN)  
(\*\*) Term: **15 Years**

D907,743 S \* 1/2021 Wu ..... D23/213  
D919,747 S \* 5/2021 Lin ..... D23/223  
D930,790 S \* 9/2021 Yan ..... D23/223  
D931,411 S \* 9/2021 Yan ..... D23/213

(Continued)

(21) Appl. No.: **29/849,502**  
(22) Filed: **Aug. 11, 2022**

**OTHER PUBLICATIONS**

Shower Head, SR SUN RISE 6-Settings 4.8" High Pressure Hand-held, Jan. 13, 2017, amazon.ca, Jul. 15, 2022, URL: <https://www.amazon.ca/SR-SUN-RISE-6-Settings-Pressure/dp/B07FKHCGK1/> (Year: 2017).\*

(Continued)

(30) **Foreign Application Priority Data**

Aug. 3, 2022 (CN) ..... 202230503984.0

*Primary Examiner* — Keith J Wilson

(51) **LOC (13) Cl.** ..... **23-01**

(52) **U.S. Cl.**  
USPC ..... **D23/223**

(57) **CLAIM**

The ornamental design for a handheld showerhead, as shown and described.

(58) **Field of Classification Search**  
USPC ..... D23/213, 214, 215, 223, 224, 226, 229,  
D23/230

**DESCRIPTION**

CPC ..... A61H 9/0021; A61H 33/00; B05B 1/00;  
B05B 1/14; B05B 1/185; B05B 1/08;  
B05B 1/02; B05B 1/26; B05B 12/002;  
B05B 1/18; B05B 9/01

See application file for complete search history.

FIG. 1 is a front and top perspective view of a handheld showerhead, showing my new design;  
FIG. 2 is a rear and bottom perspective view thereof;  
FIG. 3 is a front elevation view thereof;  
FIG. 4 is a rear elevation view thereof;  
FIG. 5 is a left side elevation view thereof;  
FIG. 6 is a right side elevation view thereof;  
FIG. 7 is a top plan view thereof;  
FIG. 8 is a bottom plan view thereof;  
FIG. 9 is an enlarged perspective view of detail "9" identified in FIG. 1; and,  
FIG. 10 is an enlarged perspective view of detail "10" identified in FIG. 2.

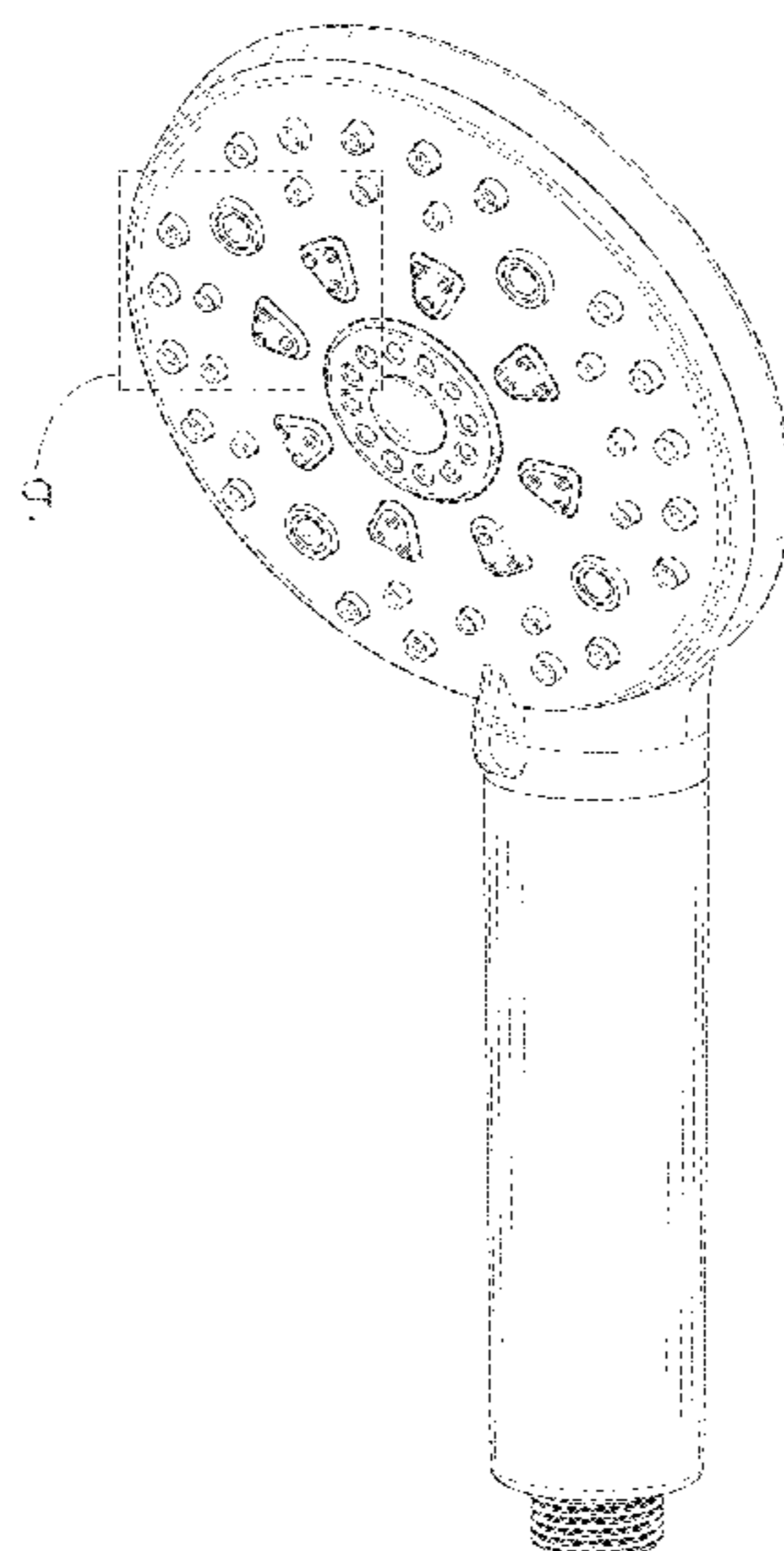
The dashed lines in the figures illustrate portions of the handheld showerhead that form no part of the claimed design. The dash dot dash lines in FIGS. 1, 2, 9 and 10 are for the purpose of depicting the boundary lines of the enlarged views and form no part of the claimed design.

(56) **References Cited**

**U.S. PATENT DOCUMENTS**

D575,372 S \* 8/2008 Mullenmeister ..... D23/223  
D617,873 S \* 6/2010 Lee ..... D23/229  
D617,874 S \* 6/2010 Lee ..... D23/229  
D631,133 S \* 1/2011 Yoo ..... D23/223  
D634,810 S \* 3/2011 Yoo ..... D23/213  
D667,531 S \* 9/2012 Romero ..... D23/223  
D667,928 S \* 9/2012 Cutler ..... D23/223  
D670,358 S \* 11/2012 Bai ..... D23/223  
D672,011 S \* 12/2012 Andrew ..... D23/223  
D672,433 S \* 12/2012 Yoo ..... D23/223  
D681,776 S \* 5/2013 Cutler ..... D23/223  
D820,954 S 6/2018 Lee  
D900,963 S \* 11/2020 Wu ..... D23/223  
D901,630 S \* 11/2020 Wu ..... D23/213

**1 Claim, 10 Drawing Sheets**



(56)

**References Cited**

## U.S. PATENT DOCUMENTS

D935,556 S \* 11/2021 Yan ..... D23/213  
D935,559 S \* 11/2021 He ..... D23/226  
D936,178 S \* 11/2021 Lin ..... D23/213

## OTHER PUBLICATIONS

AquaSpa High Pressure 6-setting Luxury Handheld Shower, Sep. 17, 2019, amazon.ca, Jul. 15, 2022, URL: [https://www.amazon.ca/dp/B07XSBWCFJ/ref=sbl\\_dp\\_ca-home-improvement-bathroom-handheld-showerheads\\_B088R3D455\\_0](https://www.amazon.ca/dp/B07XSBWCFJ/ref=sbl_dp_ca-home-improvement-bathroom-handheld-showerheads_B088R3D455_0) (Year: 2019).\*

QLFJ-FurDec 7 Settings Shower Head, Nov. 2, 2021, amazon.ca, Jul. 15, 2022, URL: <https://www.amazon.ca/QLFJ-FurDec-Settings-Pressure-Handheld-Showerhead/dp/B09KTX5Z6V/> (Year: 2021).\*

Shower Head, 6-Settings Handheld Shower Head, Jul. 16, 2021, amazon.ca, Jul. 19, 2022, URL: <https://www.amazon.ca/6-Settings-Detachable-Adjustable-Showerheads-Accessories/dp/B099N7H4QQ/> (Year: 2021).\*

Apaix Handheld Shower Head, May 31, 2021, amazon.ca, Jul. 20, 2022, URL: <https://www.amazon.ca/dp/B093QFMQ7H/> (Year: 2021).\*

Janvier High Pressure Shower Head Set, Nov. 17, 2021, amazon.ca, Jul. 22, 2022, URL: [https://www.amazon.ca/dp/B09FLQ29CJ/ref=sbl\\_dp\\_ca-home-improvement-bathroom-handheld-showerheads\\_B09PV52VM7\\_0](https://www.amazon.ca/dp/B09FLQ29CJ/ref=sbl_dp_ca-home-improvement-bathroom-handheld-showerheads_B09PV52VM7_0) (Year: 2021).\*

Waterpik High Pressure Shower Head Handheld Spray, Aug. 14, 2018, amazon.ca, Aug. 3, 2022, URL: <https://www.amazon.ca/Waterpik-XET-633-643-Pressure-PowerPulse-Combination/dp/B07GBN8NCK/> (Year: 2018).\*

\* cited by examiner

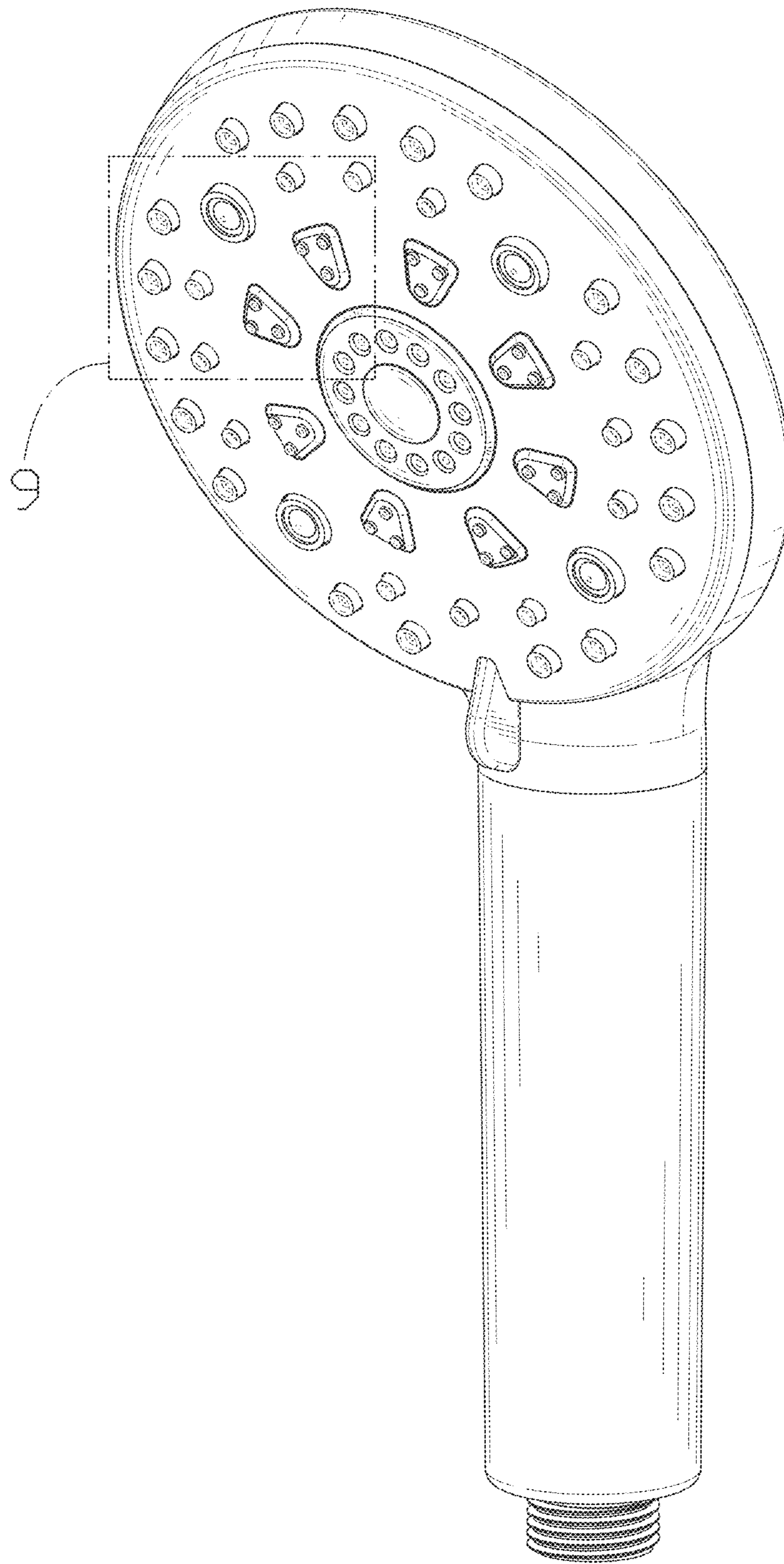


FIG. 1

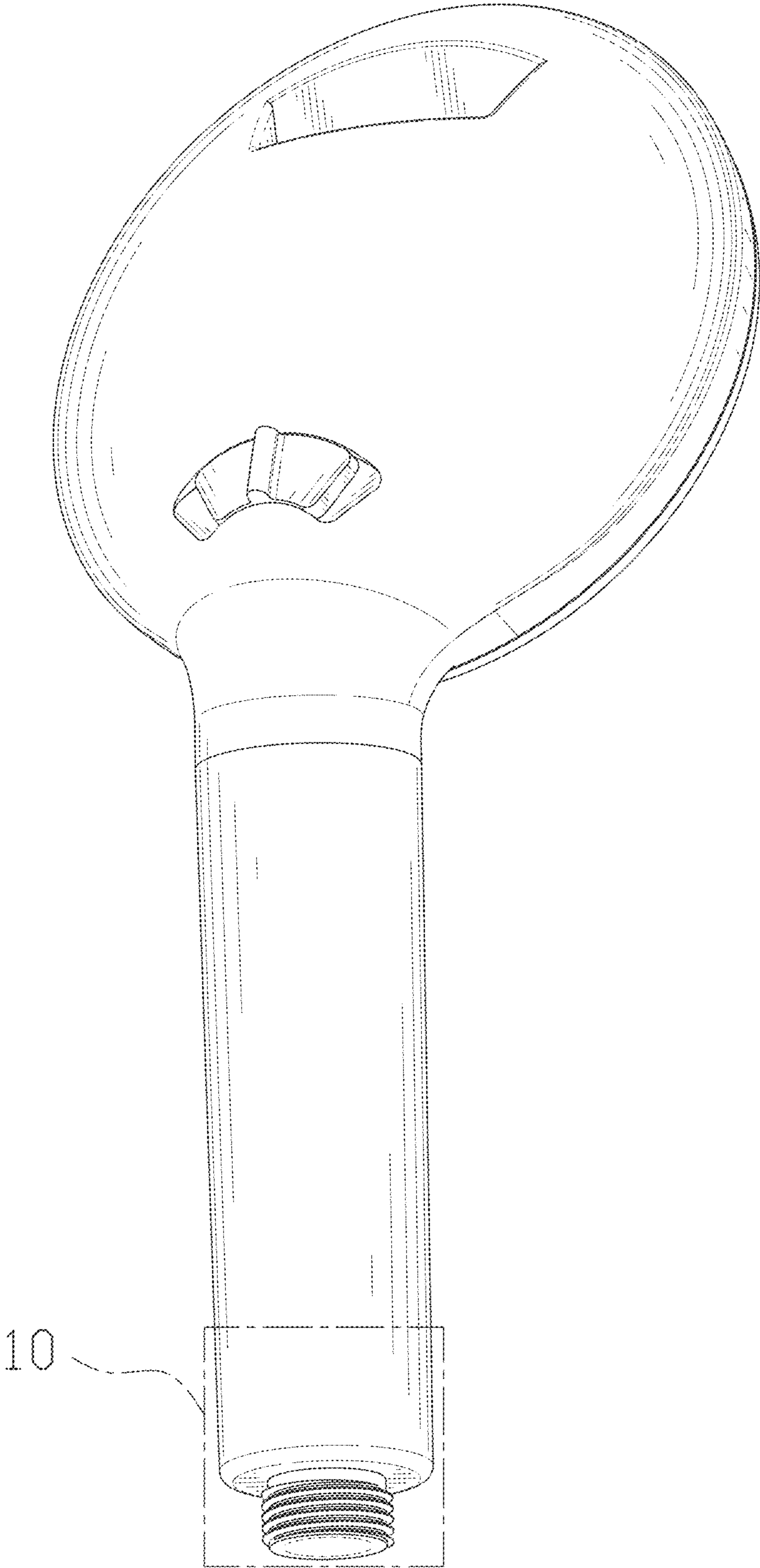


FIG. 2

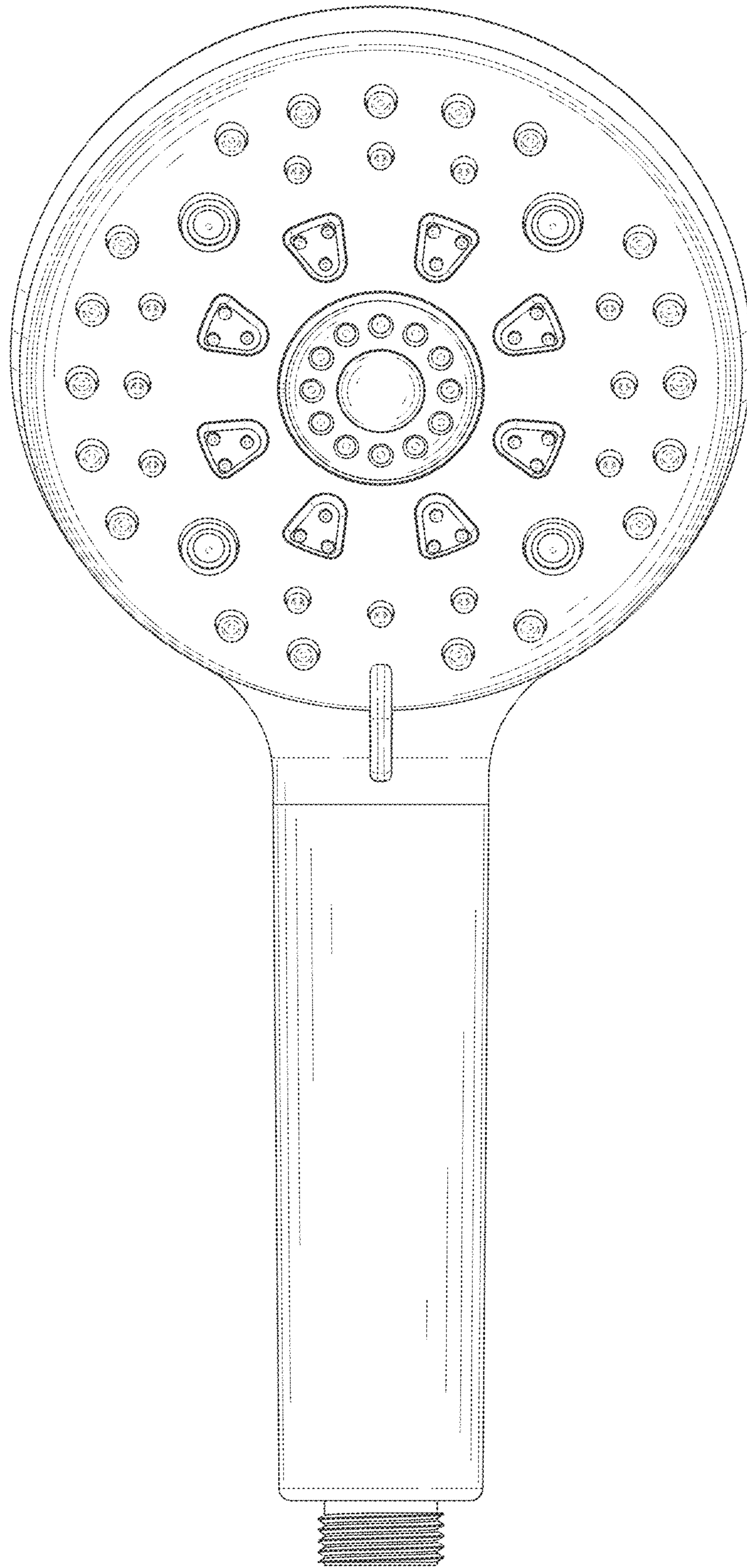


FIG. 3

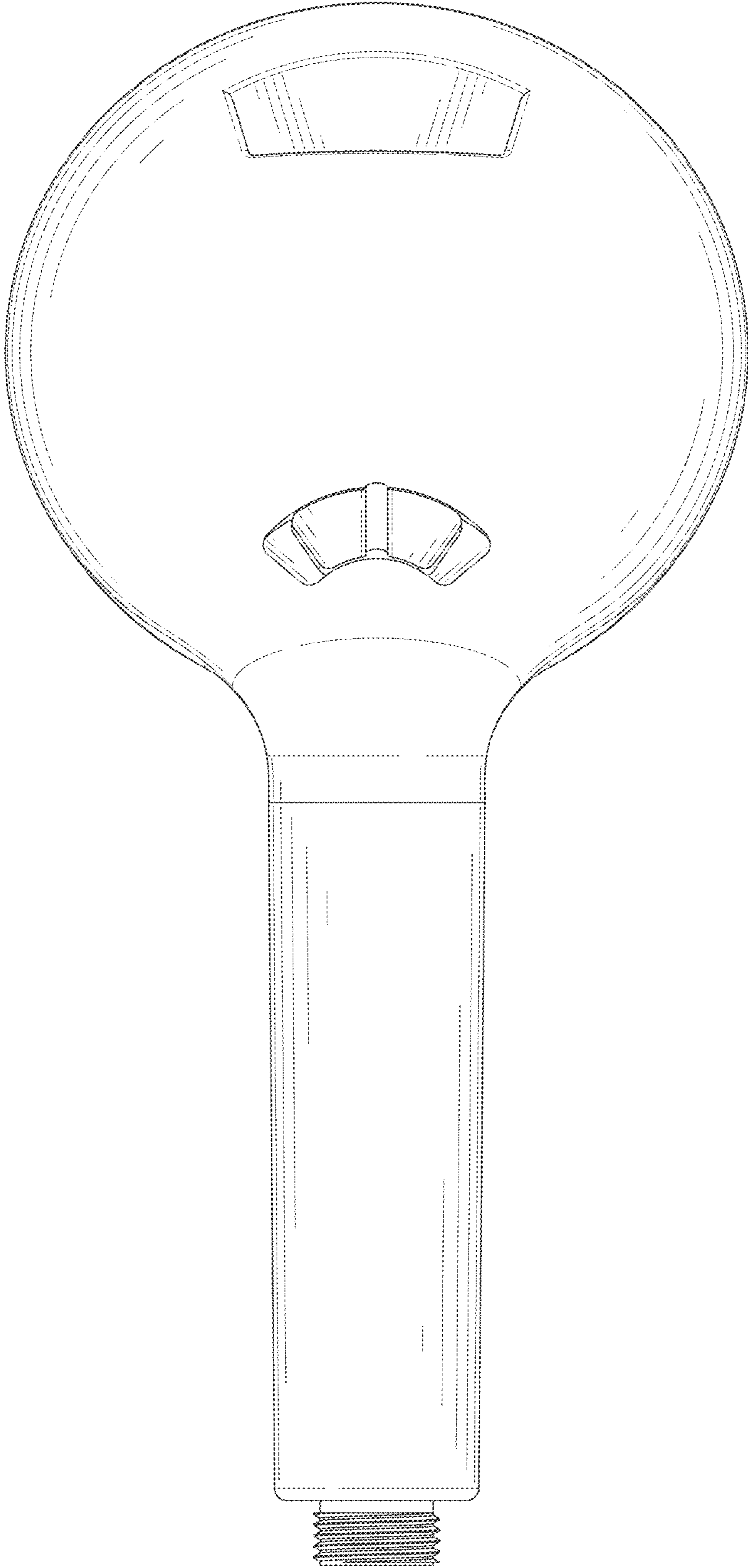


FIG. 4

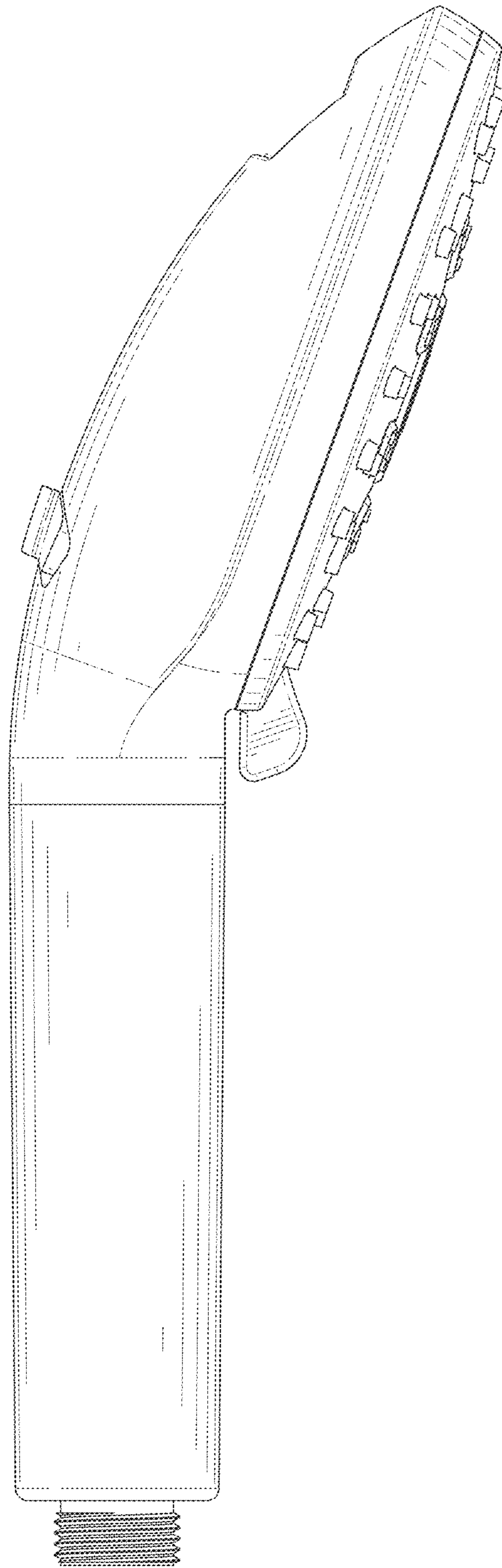


FIG. 5

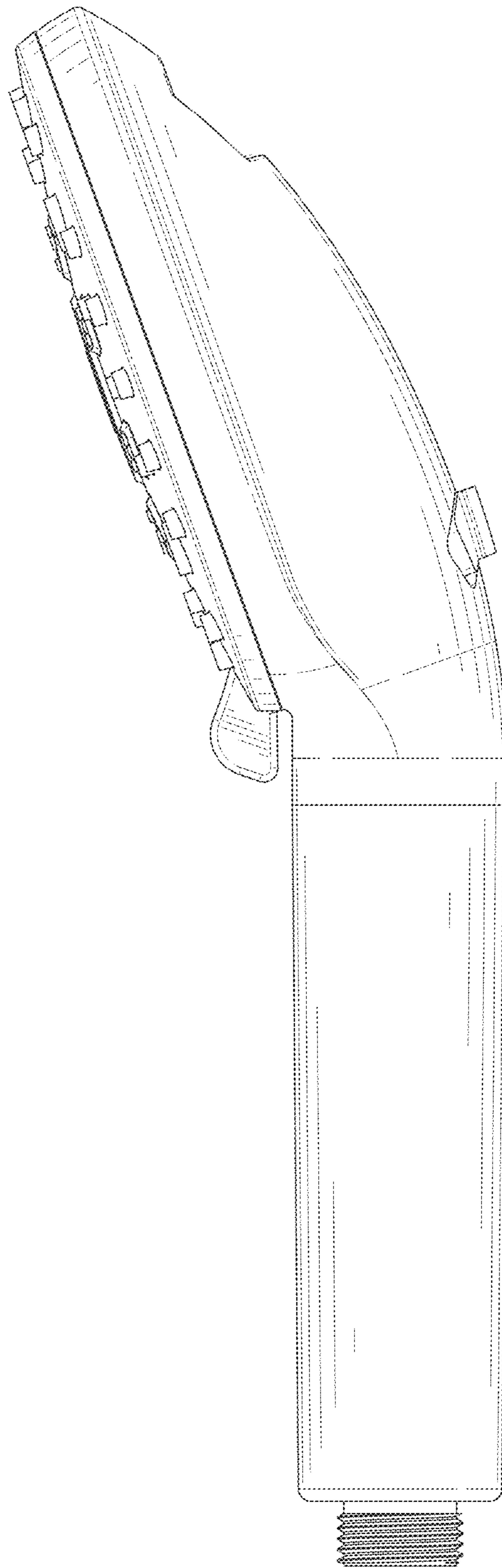


FIG. 6



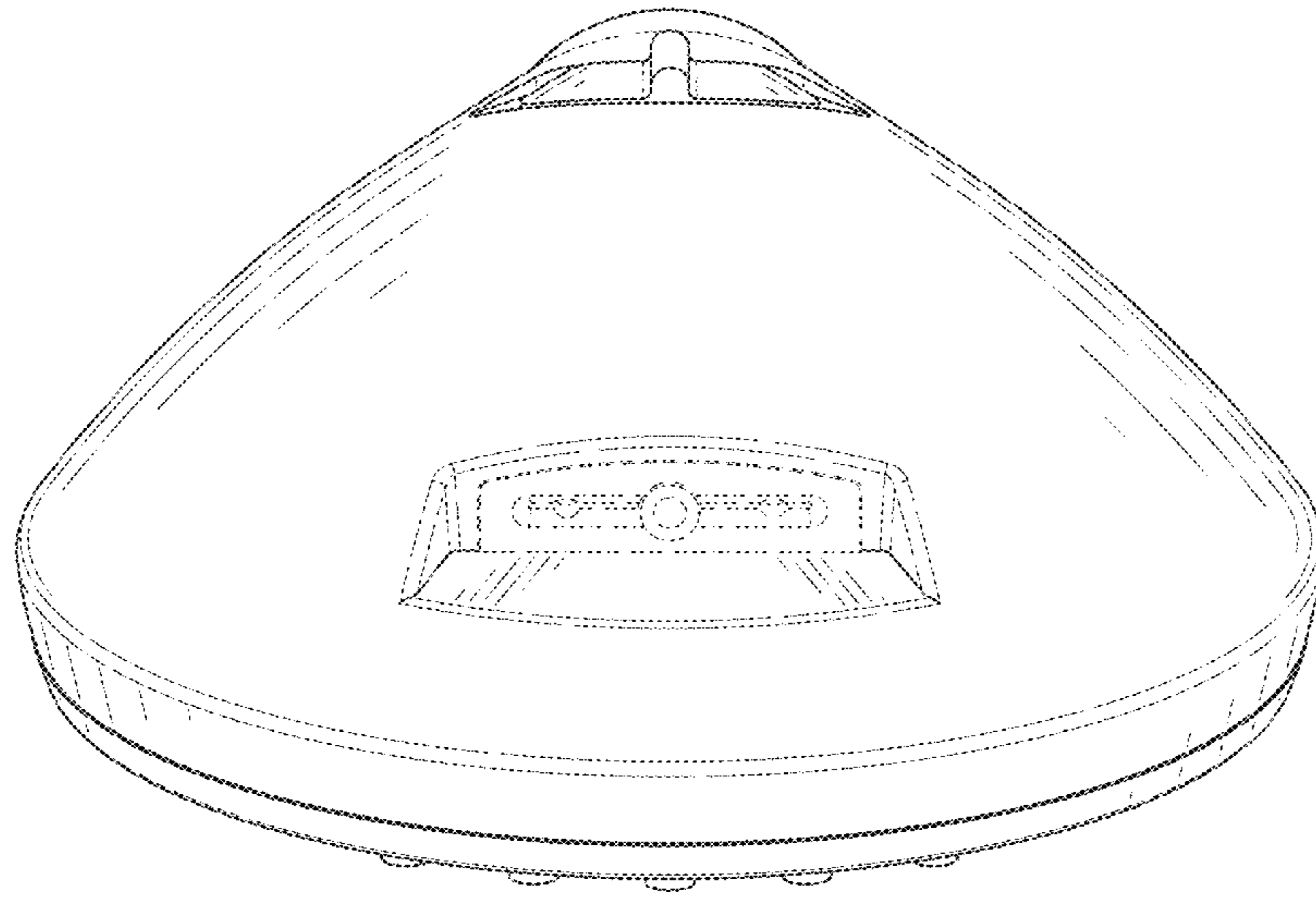


FIG. 7

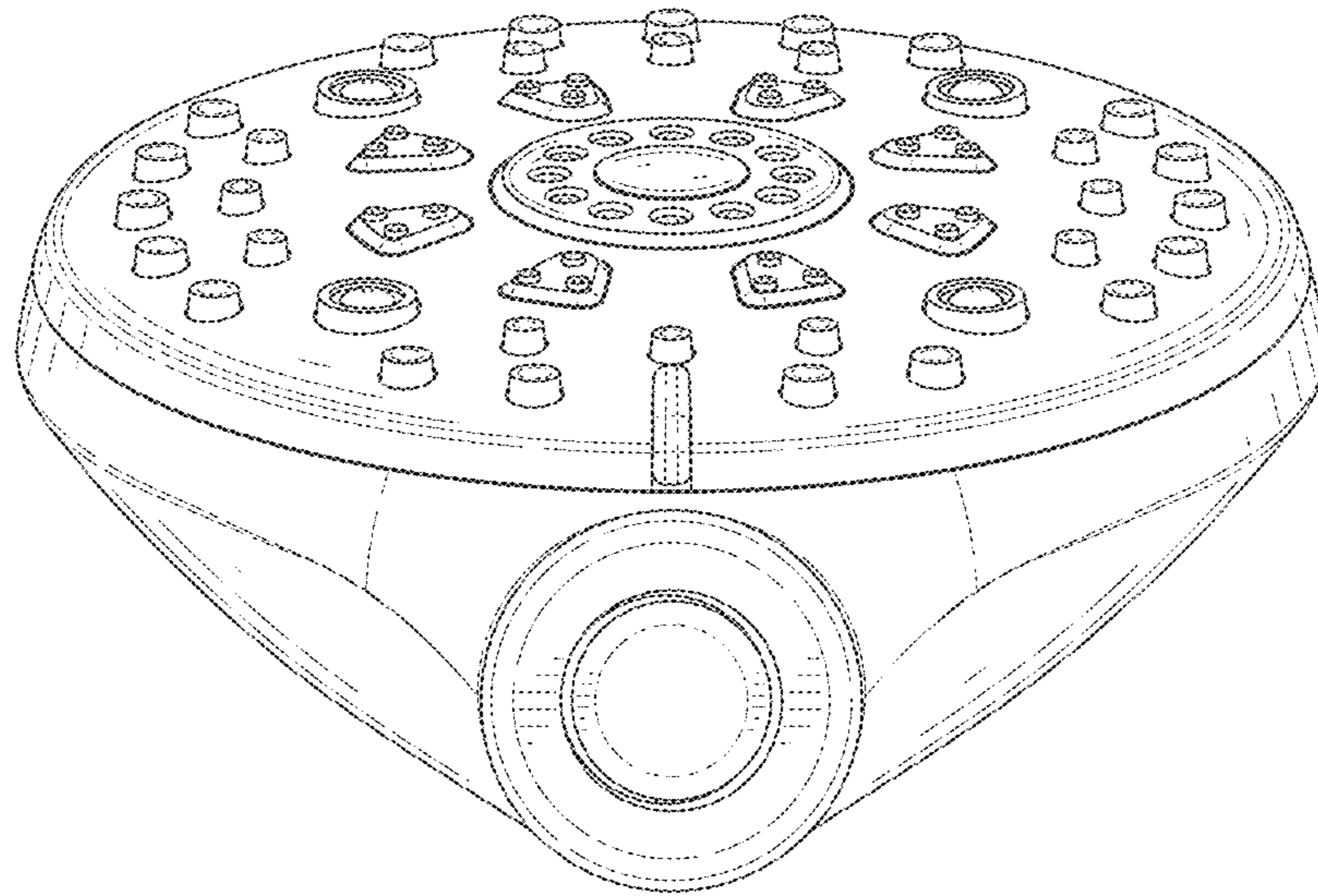


FIG. 8

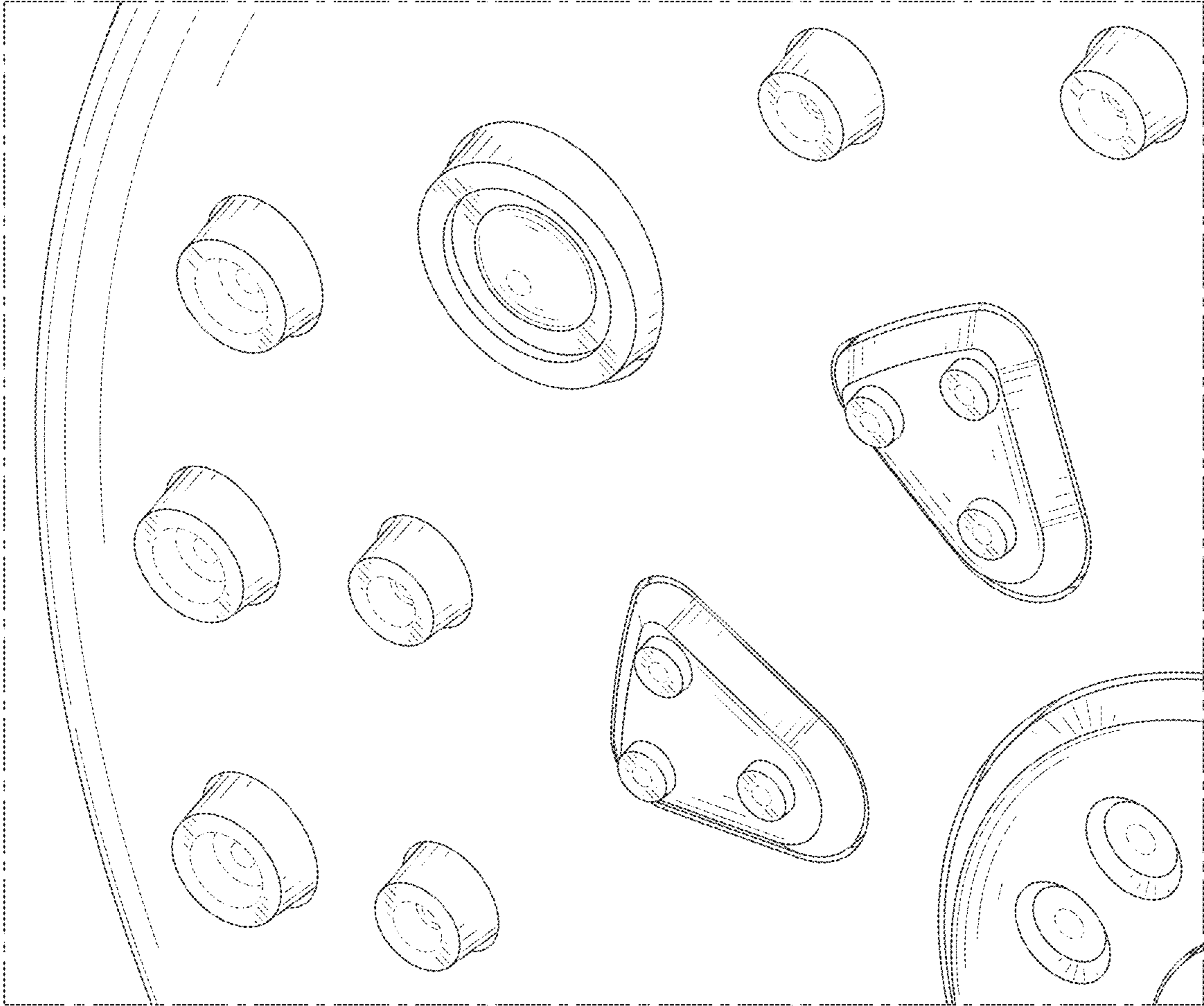


FIG. 9

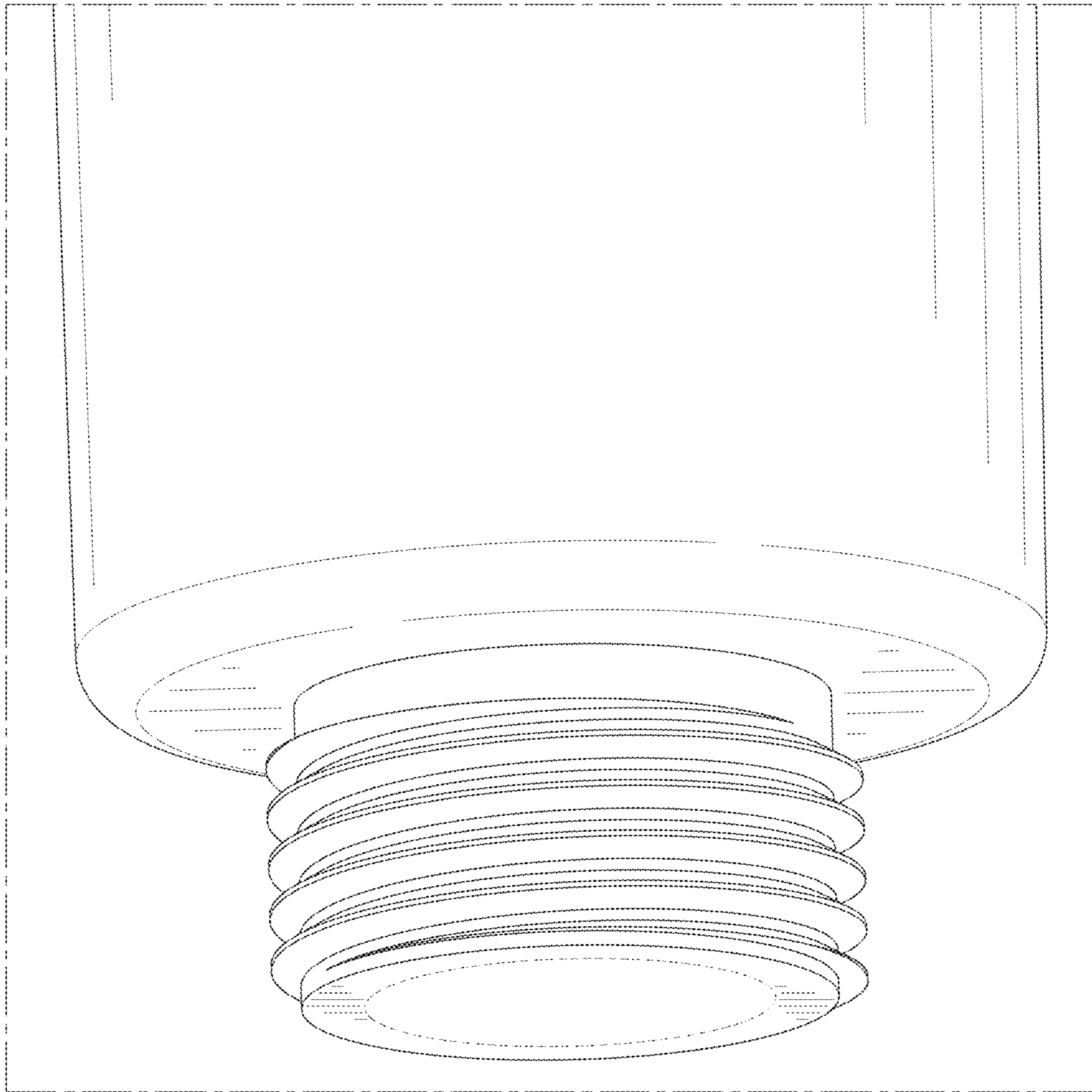


FIG. 10