

US00D971373S

(12) **United States Design Patent** (10) **Patent No.:** **US D971,373 S**
Dillon (45) **Date of Patent:** **** Nov. 29, 2022**

(54) **GRIP FOR AN INSECT ERADICATION DEVICE**

4,125,106 A 11/1978 Kelly
D339,841 S * 9/1993 Gelinas D22/122
D527,057 S * 8/2006 Poon D21/572
9,726,451 B2 8/2017 Masters
D941,449 S * 1/2022 Yasuoka D23/366

(71) Applicant: **Saltshot, LLC**, Aspen, CO (US)

(72) Inventor: **Christopher Dillon**, Glenwood Springs, CO (US)

FOREIGN PATENT DOCUMENTS

WO WO 2016154546 * 9/2016 B05B 7/02

(73) Assignee: **SALTSHOT, LLC.**, Aspen, CO (US)

(**) Term: **15 Years**

OTHER PUBLICATIONS

(21) Appl. No.: **29/754,966**

https://www.amazon.com/dp/B07VFCQ3BT/ref=redir_mobile_desktop?_encoding=UTF8&aaxitk=529e095ce8ab1b8f187cea2d6a1e4a9b&hsa_cr_id=9927564050201&pd_rd_plhdr=t&pd_rd_r=b7a80799-5320-4df0-91db-f3cb22baa078&pd_rd_w=U15bK&pd_rd_wg=jRMjW&ref=sbx_be_s_sparkle_mcd_asin_2_img date unknown.*

(22) Filed: **Oct. 15, 2020**

(51) **LOC (13) Cl.** **22-06**

(52) **U.S. Cl.**

USPC **D22/122**

(58) **Field of Classification Search**

USPC D22/119–120, 122, 104–105, 138;
D21/572–575

CPC A01M 1/02; A01M 1/103; A01M 1/106;
A01M 23/00; A01M 29/18; A01M 29/24;
A01M 29/34; A01M 2200/011; A01M
2200/012

See application file for complete search history.

* cited by examiner

Primary Examiner — Catherine R Oliver-Garcia
(74) *Attorney, Agent, or Firm* — D’Ambrosio & Menon, PLLC; Usha Menon

(57) **CLAIM**

The ornamental design for a grip for an insect eradication device, as shown and described.

DESCRIPTION

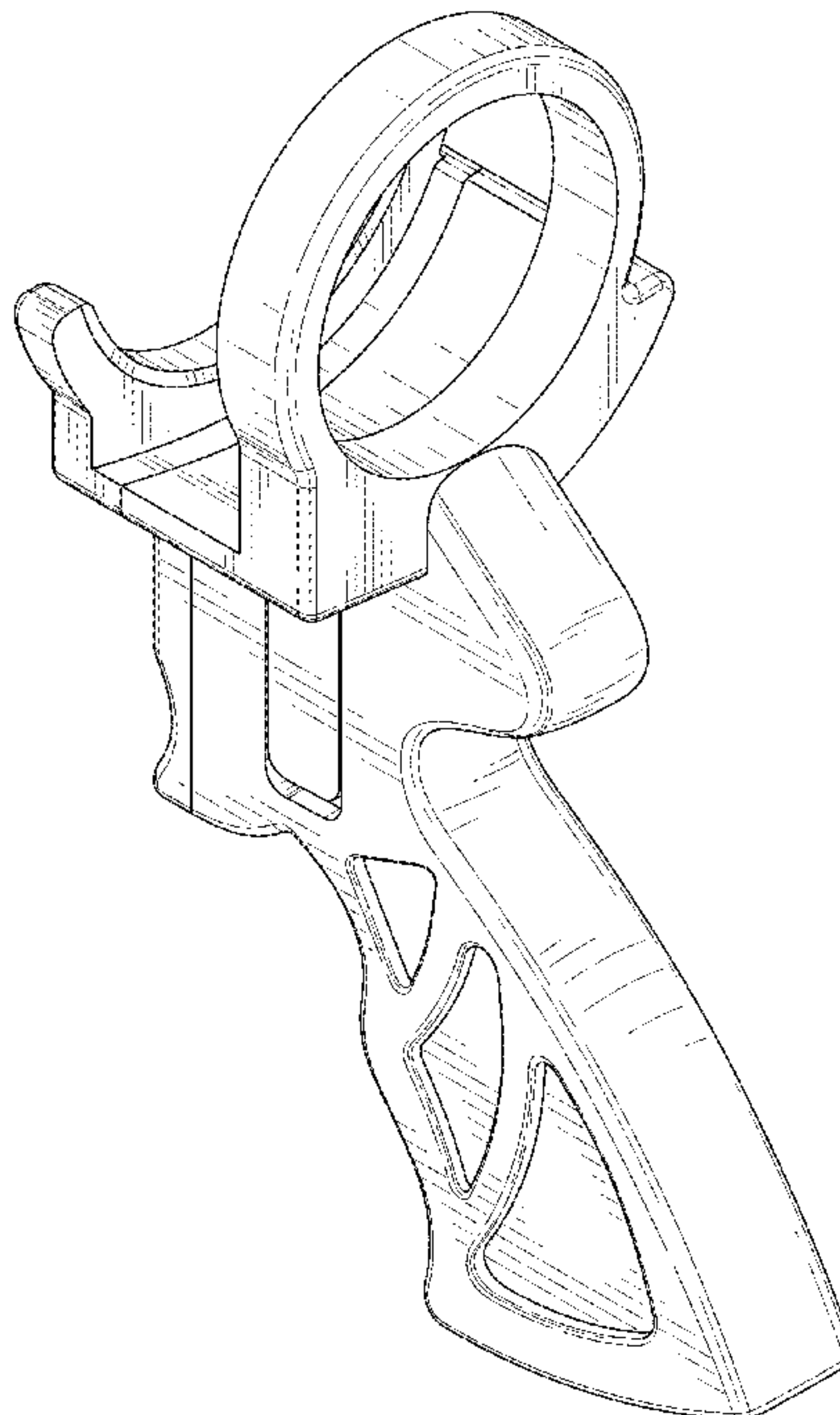
(56) **References Cited**

U.S. PATENT DOCUMENTS

1,169,227 A * 1/1916 Anderson A01K 91/02
43/135
2,158,396 A * 5/1939 Birnstock A01K 91/02
43/18.1 R
2,283,816 A * 5/1942 Loutrel A01K 87/08
43/25
3,524,439 A * 8/1970 Dantzler F41B 3/02
124/20.3

FIG. 1 is a rear perspective view of a “grip for an insect eradication device”, showing my new design;
FIG. 2 is a front view thereof;
FIG. 3 is a rear view thereof;
FIG. 4 is a first side view thereof;
FIG. 5 is a second side view thereof;
FIG. 6 is a top view thereof; and,
FIG. 7 is a bottom view thereof.

1 Claim, 7 Drawing Sheets



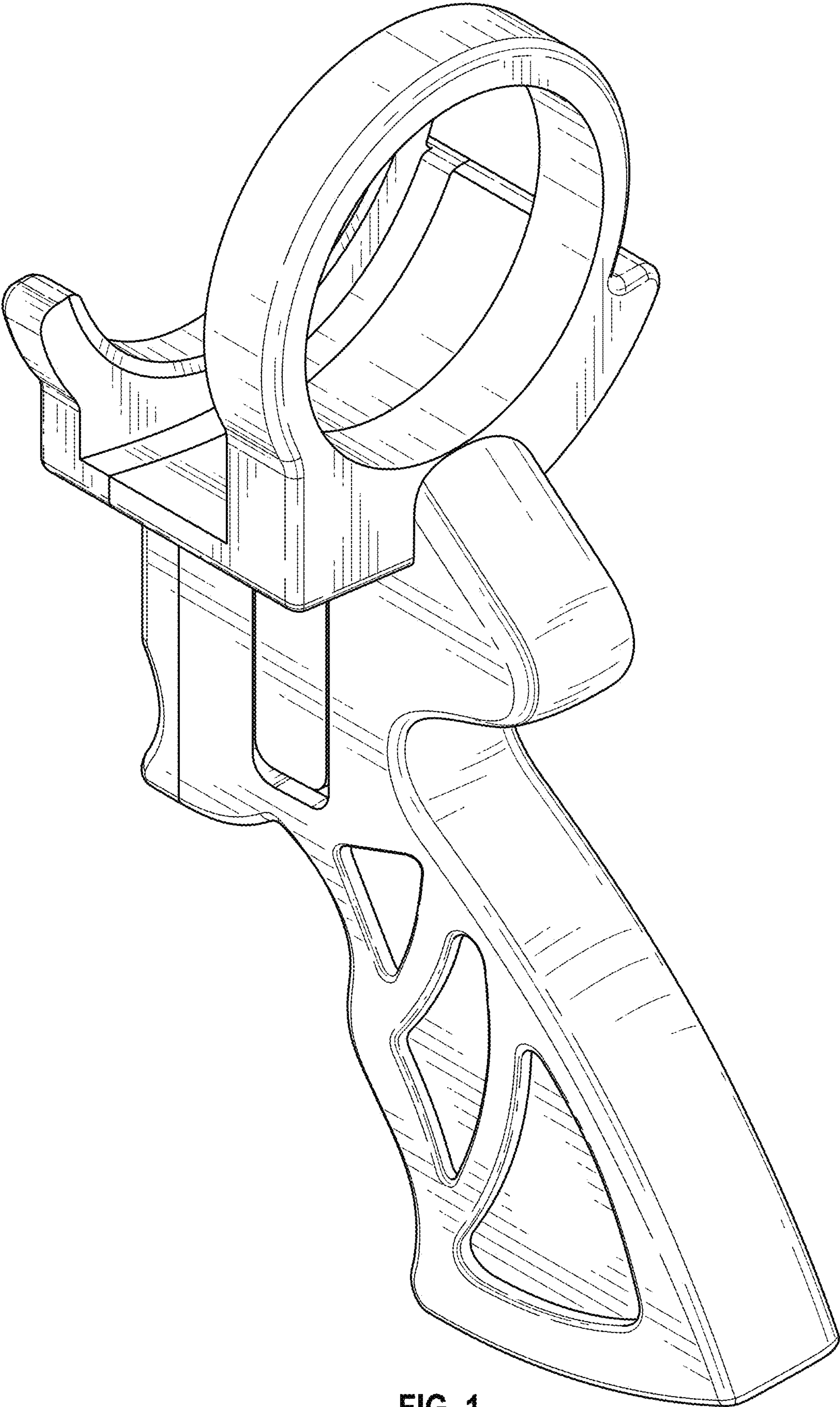


FIG. 1

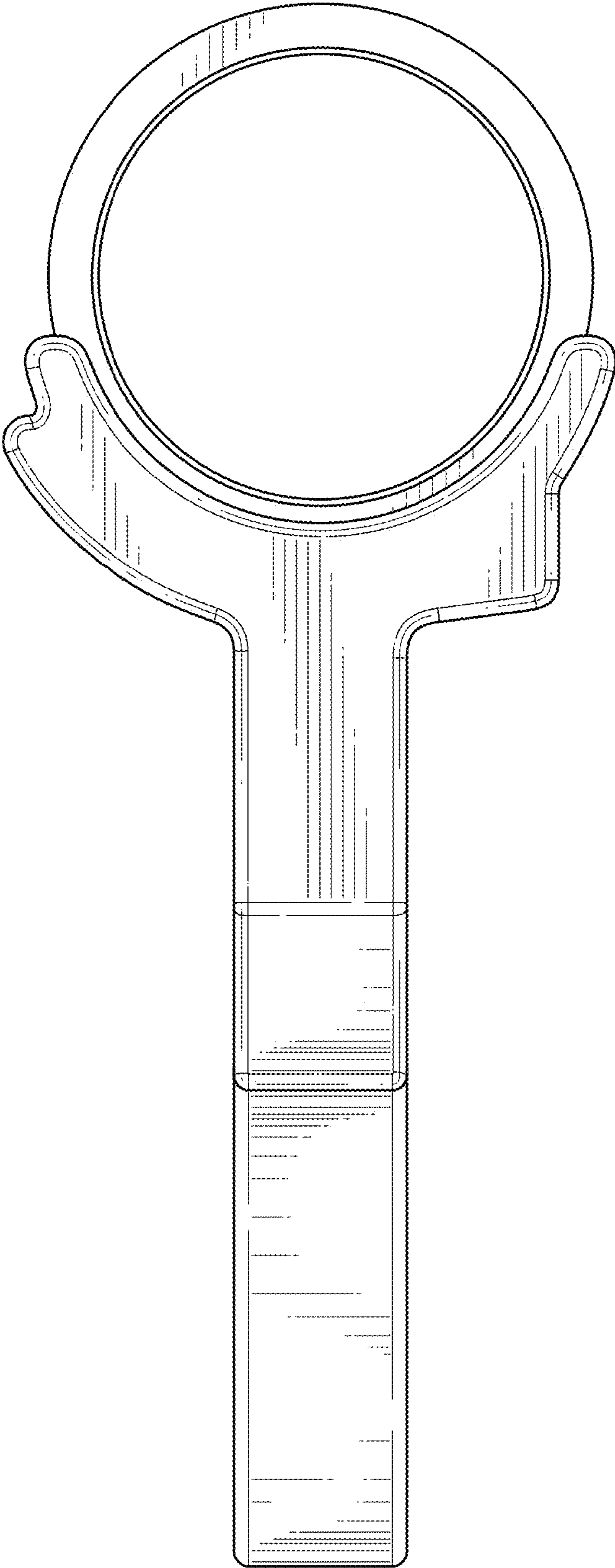


FIG. 2

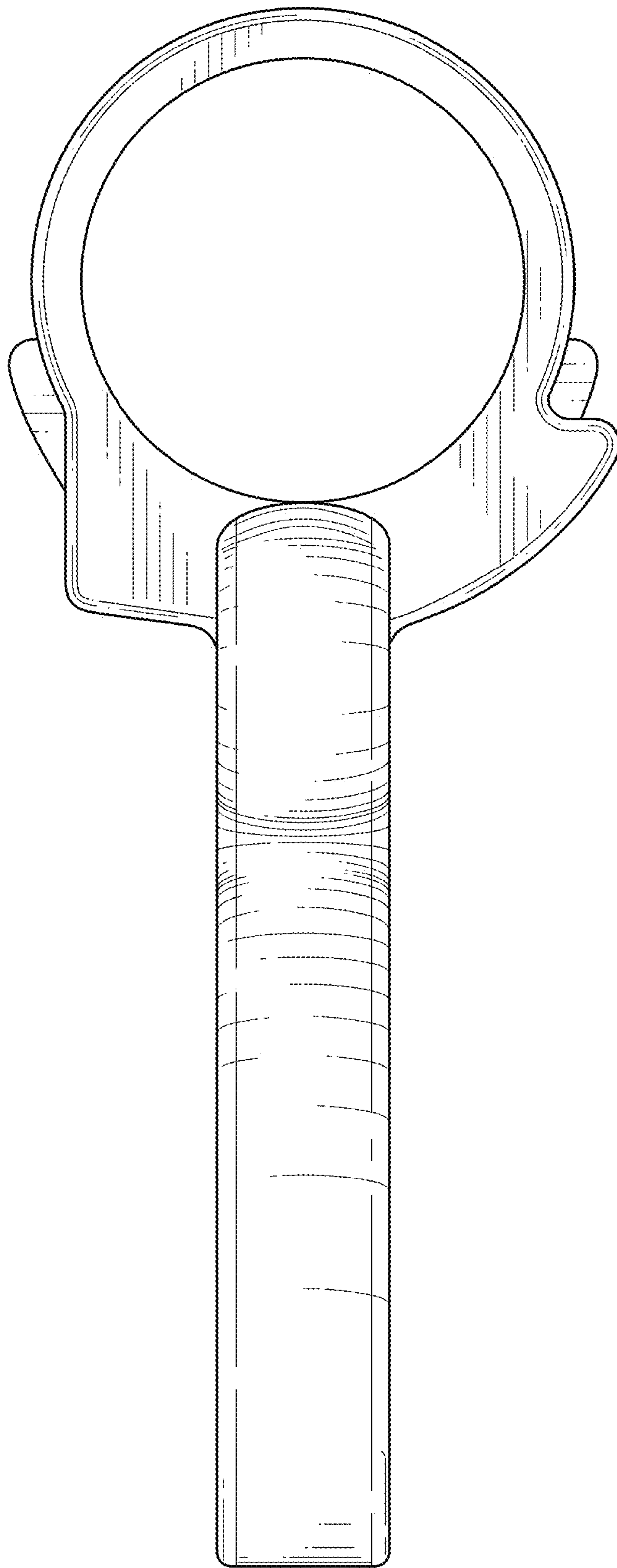


FIG. 3

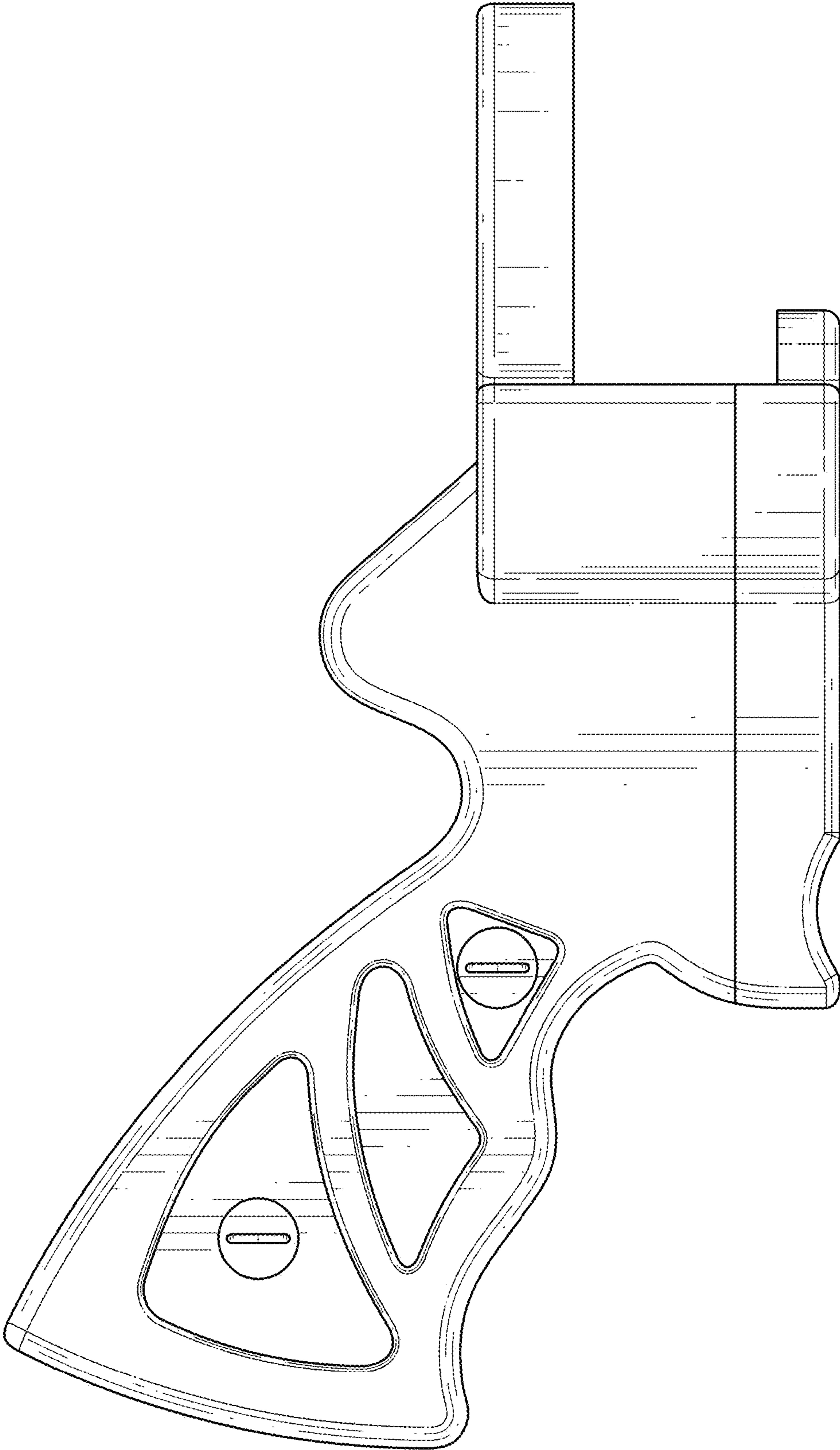


FIG. 4

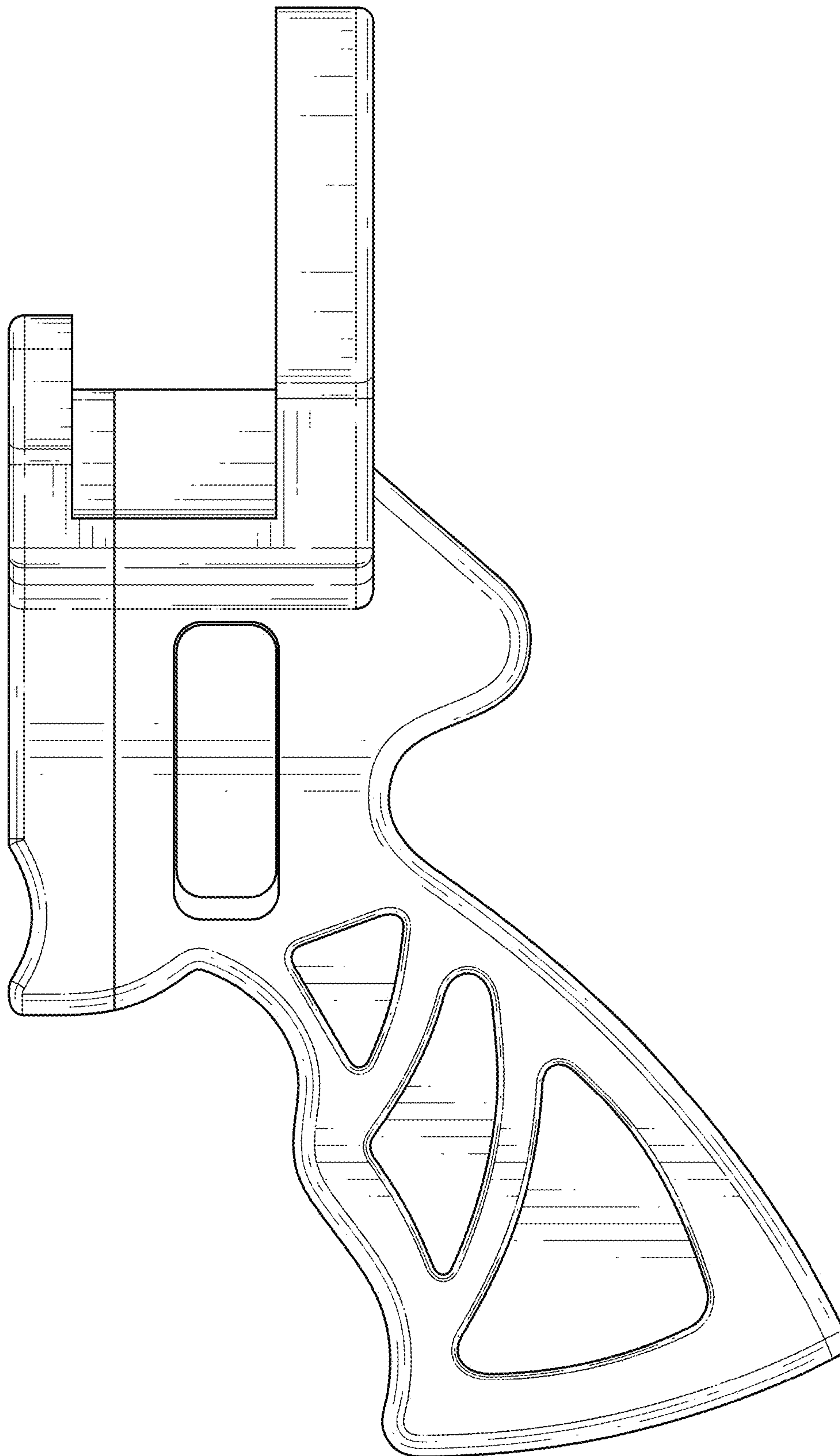


FIG. 5

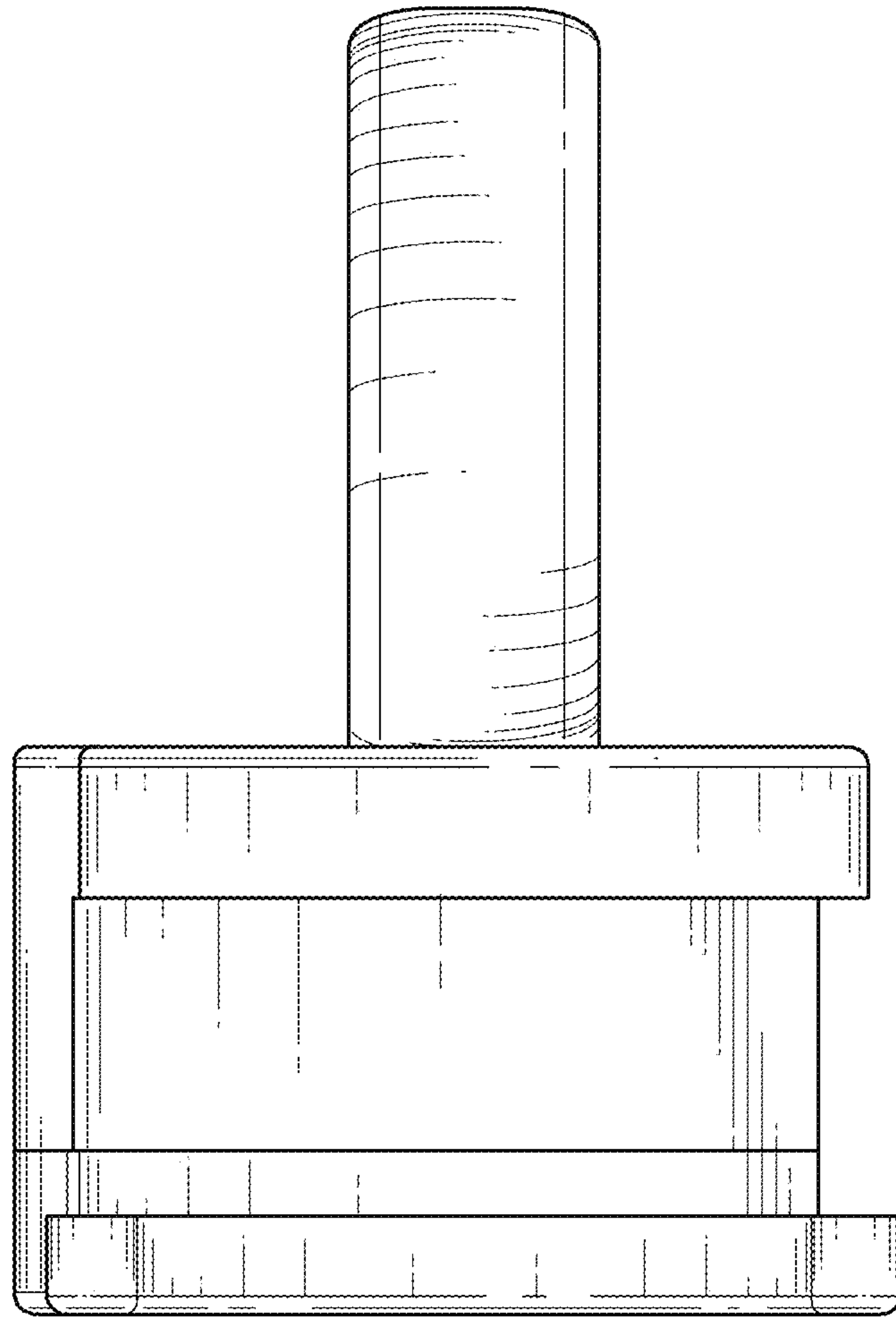


FIG. 6

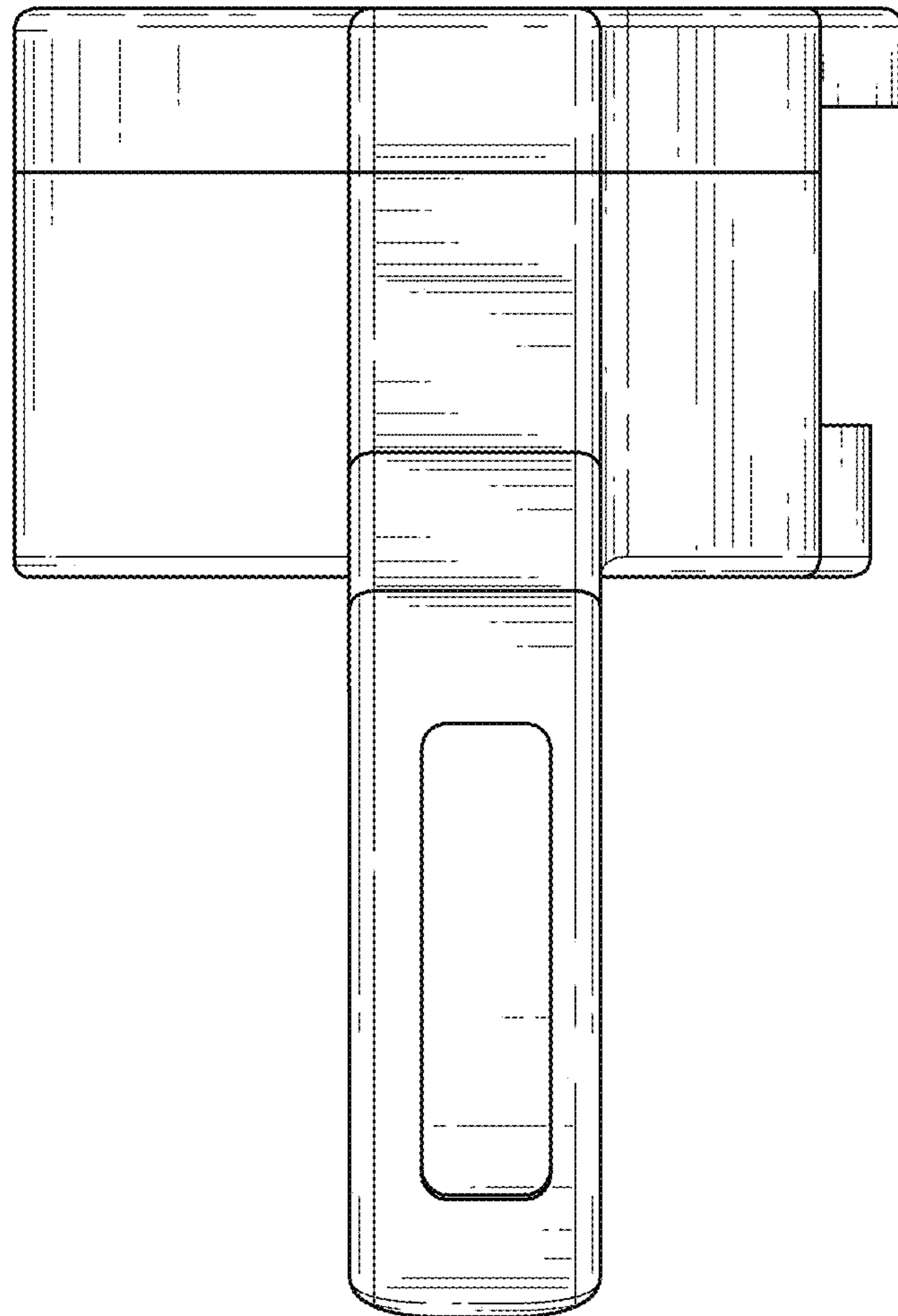


FIG. 7