



US00D971372S

(12) **United States Design Patent** (10) **Patent No.:** **US D971,372 S**
Hartman et al. (45) **Date of Patent:** **** Nov. 29, 2022**

(54) **PERFORATING GUN CONTACT DEVICE**

(71) Applicant: **OSO Perforating, LLC**, Oklahoma City, OK (US)

(72) Inventors: **Tobias D. Hartman**, Irving, TX (US); **Jeremy J. Ursi**, Carrollton, TX (US)

(73) Assignee: **OSO Perforating, LLC**, Oklahoma City, OK (US)

(**) Term: **15 Years**

(21) Appl. No.: **29/700,186**

(22) Filed: **Jul. 31, 2019**

Related U.S. Application Data

(62) Division of application No. 29/657,525, filed on Jul. 23, 2018, now Pat. No. Des. 873,373.

(51) **LOC (13) Cl.** **22-03**

(52) **U.S. Cl.**
USPC **D22/112**

(58) **Field of Classification Search**
USPC D8/354, 358, 382; D12/197; D15/126, D15/138, 139; D22/100, 112, 115, 119, D22/199
CPC E21B 43/116; E21B 43/1185; F42D 1/05; F42D 1/06

See application file for complete search history.

(56) **References Cited**

U.S. PATENT DOCUMENTS

4,100,978 A	7/1978	Boop
5,042,594 A	8/1991	Gonzalez et al.
5,347,929 A	9/1994	Lerche et al.
5,531,164 A	7/1996	Mosley
5,603,379 A	2/1997	Henke et al.
5,714,709 A	2/1998	Schillinger et al.
5,780,764 A	7/1998	Welch et al.

5,803,175 A	9/1998	Myers, Jr. et al.
D415,813 S	10/1999	O'Quinn et al.
D417,252 S	11/1999	Kay
6,055,213 A	4/2000	Rubbo et al.
D477,554 S	7/2003	Keefer et al.
D479,736 S	9/2003	Sanner et al.
6,851,471 B2	2/2005	Barlow et al.
6,926,087 B1	8/2005	Henke et al.
D511,366 S	11/2005	Brown
6,959,765 B2	11/2005	Bell
D566,640 S	4/2008	Holz et al.
7,530,397 B2	5/2009	Bell
7,536,942 B2	5/2009	Bell

(Continued)

FOREIGN PATENT DOCUMENTS

CA	2834390	11/2012	
CA	2834390 A1 *	11/2012 F42C 11/06

(Continued)

Primary Examiner — Michael C Stout

Assistant Examiner — Fritzgerald L Butac

(74) *Attorney, Agent, or Firm* — Fish & Richardson P.C.

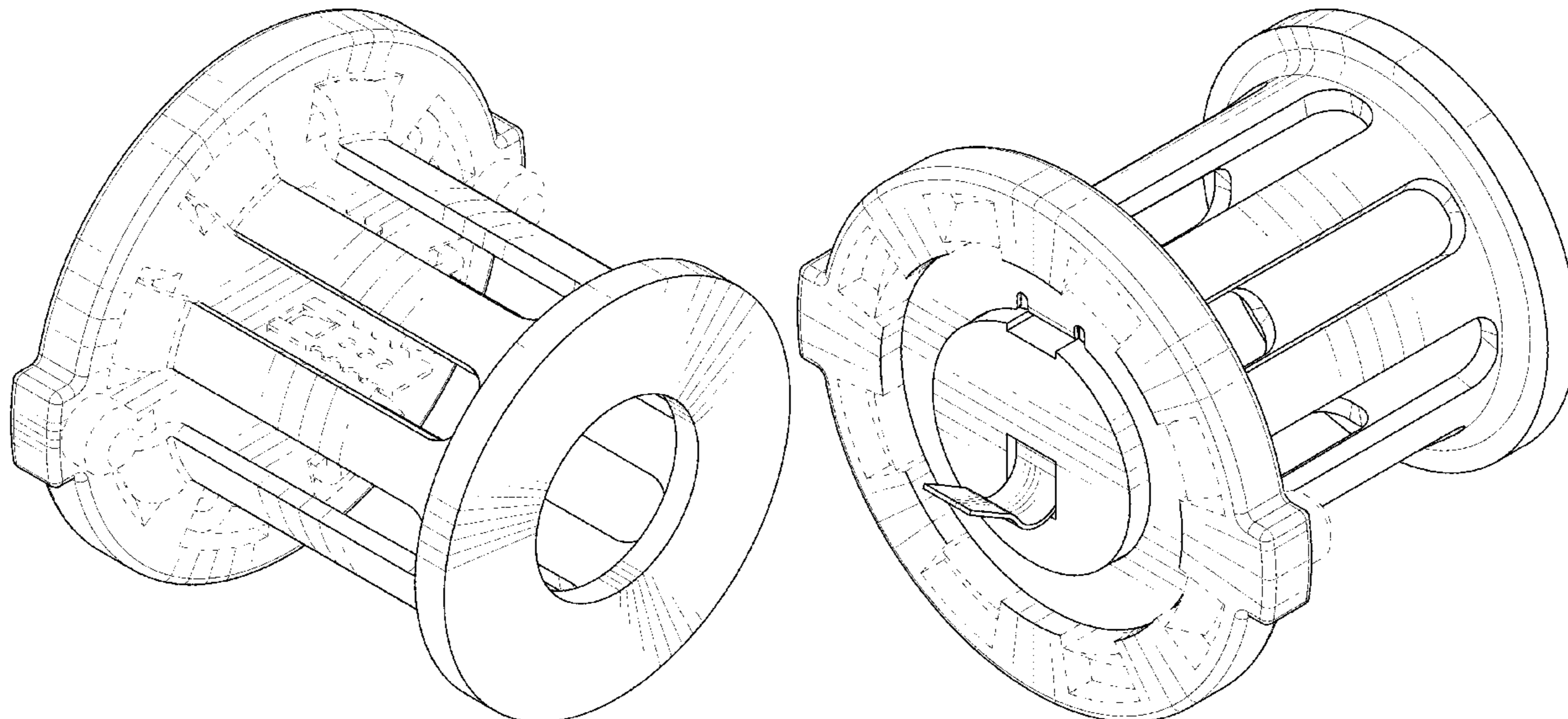
(57) **CLAIM**

The ornamental design for a perforating gun contact device, as shown and described.

DESCRIPTION

FIG. 1 is a top, right perspective view of a perforating gun contact device, according to the new design; FIG. 2 is a top, left perspective view thereof; FIG. 3 is a right-side view thereof; FIG. 4 is a left view thereof; FIG. 5 is a front view thereof; FIG. 6 is a rear view thereof; FIG. 7 is a top view thereof; and, FIG. 8 is a bottom view thereof. The broken lines show portions of a perforating gun contact device which form no part of the claimed design.

1 Claim, 8 Drawing Sheets



(56)

References Cited

U.S. PATENT DOCUMENTS

7,698,982 B2 4/2010 Bell
 D647,114 S 10/2011 Pearce et al.
 D647,115 S 10/2011 Pearce et al.
 RE43,120 E 1/2012 Popov
 D653,523 S 2/2012 Wackwitz et al.
 8,136,439 B2 3/2012 Bell
 8,191,445 B2 6/2012 Drivdahl et al.
 8,302,523 B2 11/2012 Bell
 D681,078 S 4/2013 Heo
 D681,704 S 5/2013 Stoyanov
 D682,978 S 5/2013 Benson
 8,770,301 B2 7/2014 Bell
 8,875,787 B2 11/2014 Tassaroli
 9,074,429 B2 7/2015 Pearce et al.
 9,145,764 B2 9/2015 Burton et al.
 9,175,553 B2 11/2015 McCann et al.
 9,194,219 B1 11/2015 Hardesty et al.
 9,291,040 B1 3/2016 Hardesty et al.
 9,303,961 B1 4/2016 Frericks et al.
 D760,308 S 6/2016 Krishnegowda et al.
 D761,393 S 7/2016 Crochet et al.
 D765,214 S 8/2016 Peadgett
 D766,704 S 9/2016 Hill
 9,441,465 B2 9/2016 Tassaroli
 D775,933 S 1/2017 Hill
 D775,934 S 1/2017 Hill
 D782,180 S 3/2017 Eberhard
 D792,549 S 7/2017 McKillips
 9,702,680 B2 7/2017 Parks et al.
 D795,606 S 8/2017 Cudworth
 D795,682 S 8/2017 Downs
 D797,168 S 9/2017 Ruan
 9,752,421 B2 9/2017 LeGrange et al.
 D799,702 S 10/2017 Wong et al.
 D805,878 S 12/2017 Rassat
 D805,883 S 12/2017 Evitt
 D805,884 S 12/2017 Evitt
 D805,885 S 12/2017 Karmarkar et al.
 D807,461 S 1/2018 Cheng et al.

D816,005 S 4/2018 Johns et al.
 D820,823 S 6/2018 Ahn
 D824,479 S 7/2018 Jen
 D825,643 S 8/2018 Wengreen
 D829,080 S 9/2018 Hill
 D832,094 S 10/2018 Omori
 D832,898 S 11/2018 Wetherell
 D834,074 S 11/2018 Palushaj et al.
 D834,077 S 11/2018 Monden
 D834,078 S 11/2018 Monden
 D834,368 S 11/2018 Oas
 D844,682 S 4/2019 Karol et al.
 D845,358 S 4/2019 Geldenhuys et al.
 D845,745 S 4/2019 Kasahara
 D846,008 S 4/2019 Geldenhuys et al.
 10,244,914 B2 4/2019 Tchakarov
 D873,373 S * 1/2020 Hartman D22/112
 D877,286 S * 3/2020 Hartman D22/112
 2007/0164031 A1 7/2007 Holz
 2007/0169524 A1 7/2007 Tharp et al.
 2012/0199352 A1 8/2012 Lanclos et al.
 2013/0000472 A1 1/2013 Mhaskar
 2013/0174755 A1 7/2013 DeVries et al.
 2015/0226044 A1 8/2015 Ursi et al.
 2016/0002985 A1 1/2016 Baudoin et al.
 2016/0263993 A1 9/2016 Loffink
 2016/0290084 A1 10/2016 LaGrange et al.
 2016/0298404 A1 10/2016 Beckett et al.
 2016/0333676 A1 11/2016 Hardesty
 2017/0184379 A1 6/2017 Barzilai
 2017/0211363 A1 7/2017 Bradley et al.
 2017/0241244 A1 8/2017 Barker et al.
 2017/0268860 A1 9/2017 Eitschberger
 2017/0298716 A1 10/2017 McConnell et al.
 2019/0085664 A1 3/2019 Hardesty et al.

FOREIGN PATENT DOCUMENTS

WO WO2016186611 A1 11/2016
 WO WO2018030996 A1 2/2018

* cited by examiner

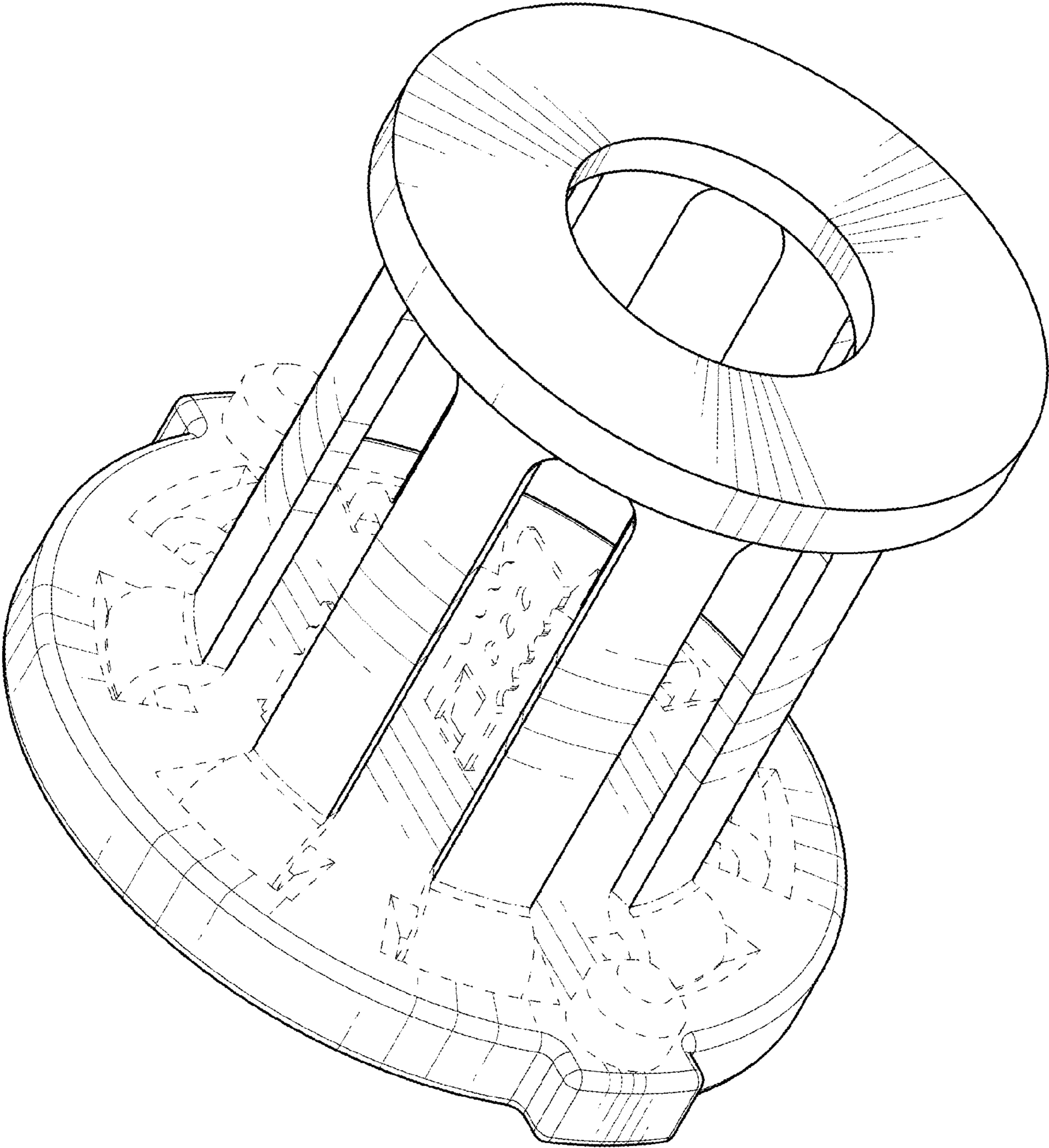


FIG. 1

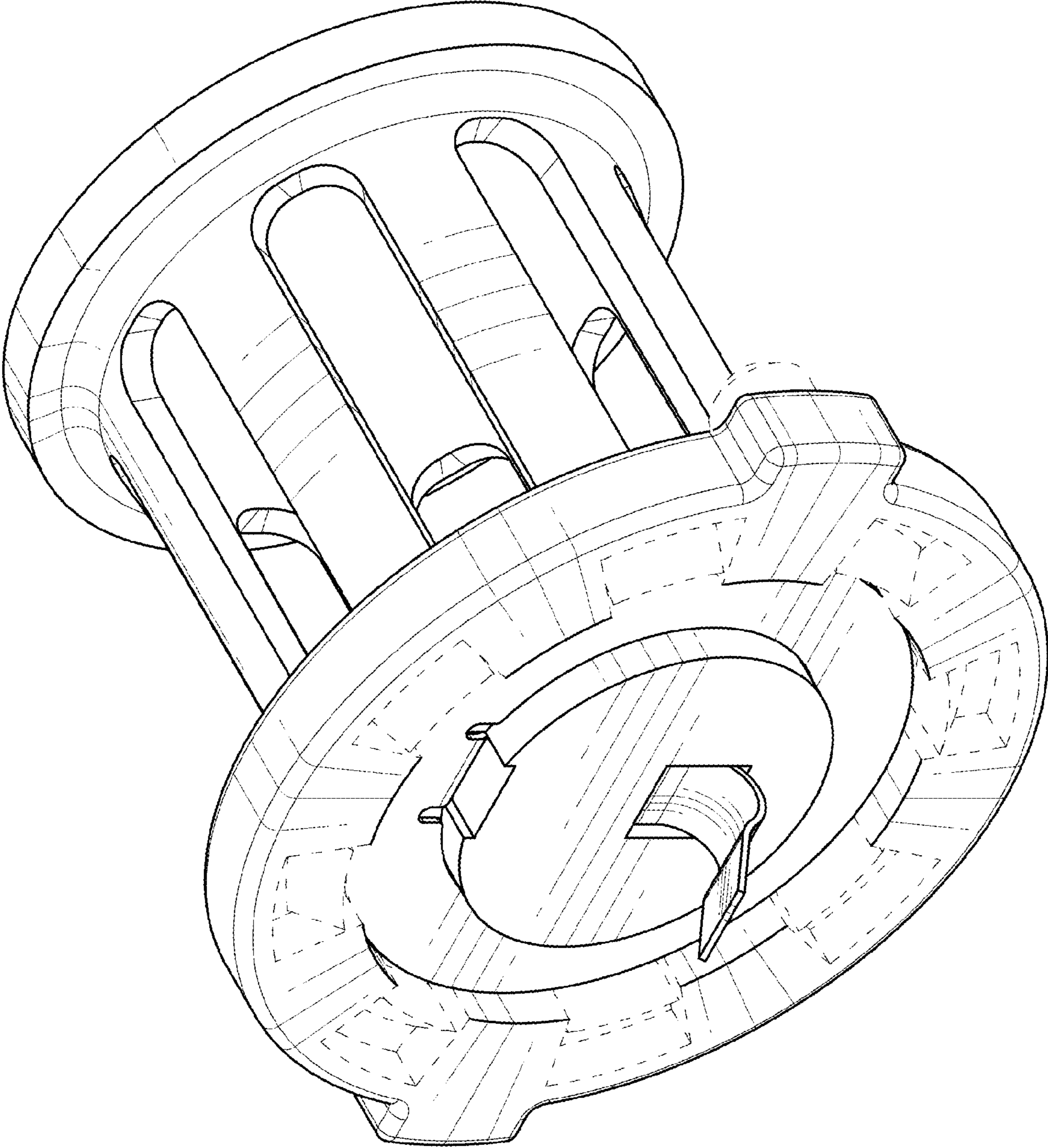


FIG. 2

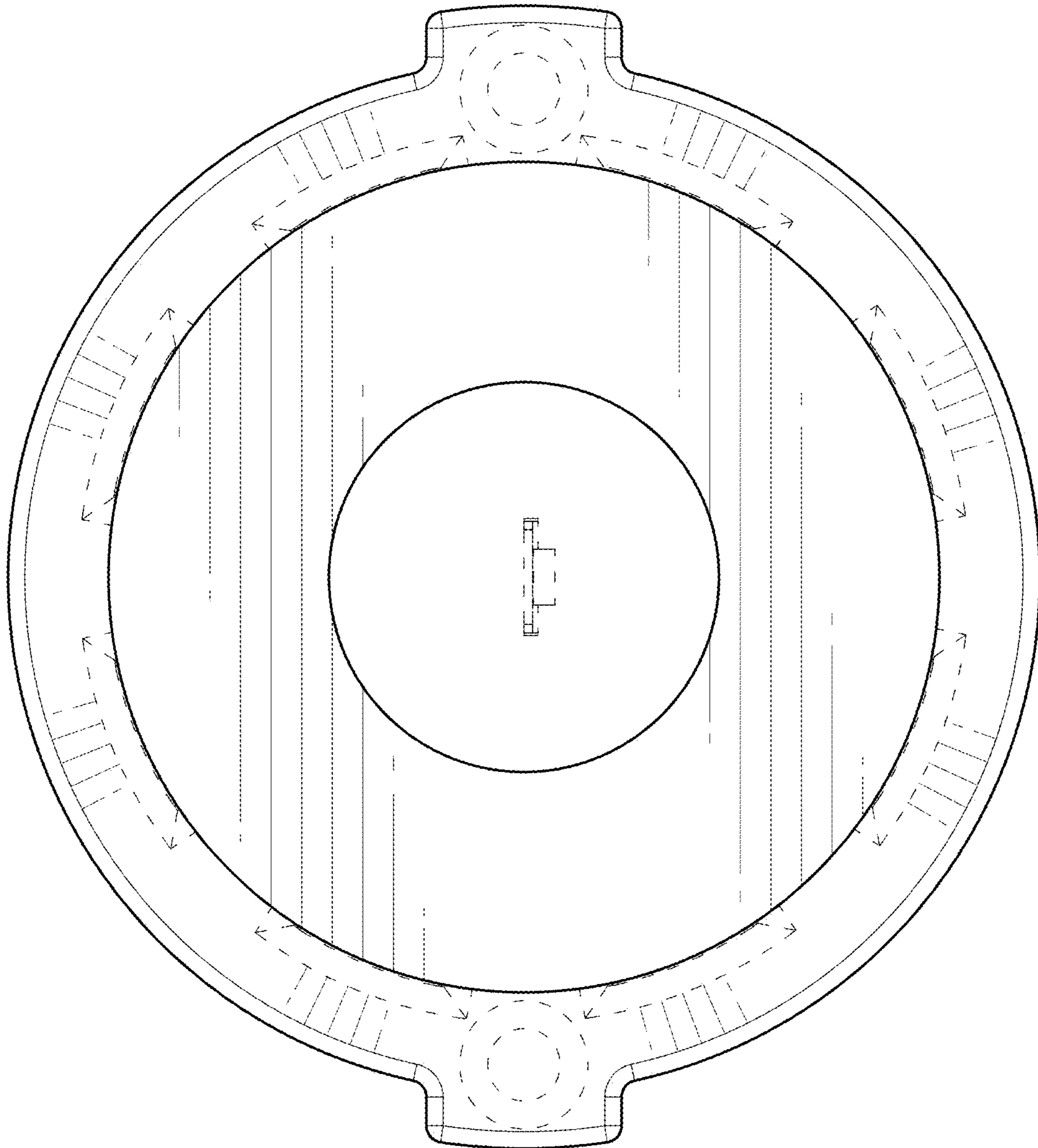


FIG. 3

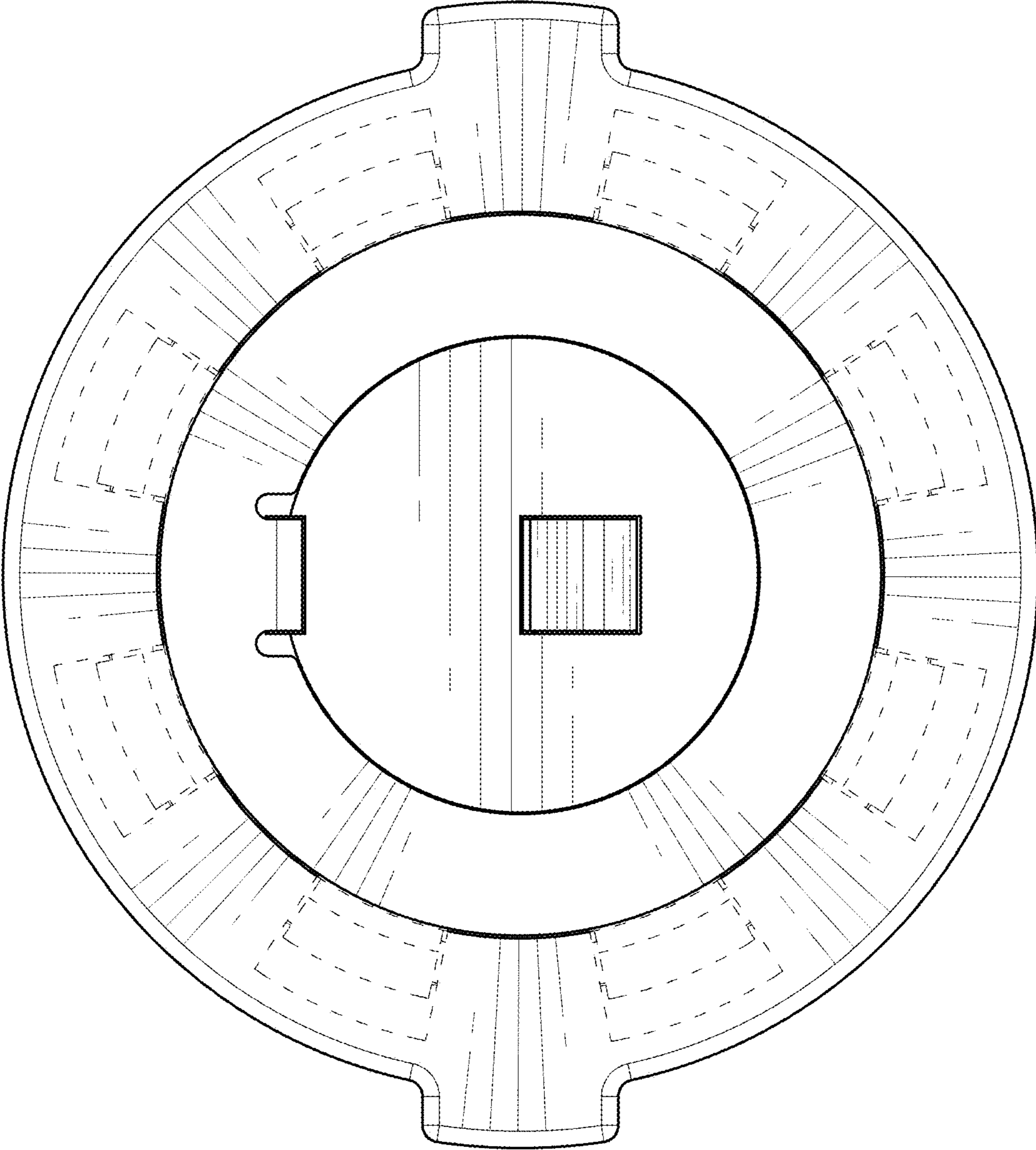


FIG. 4

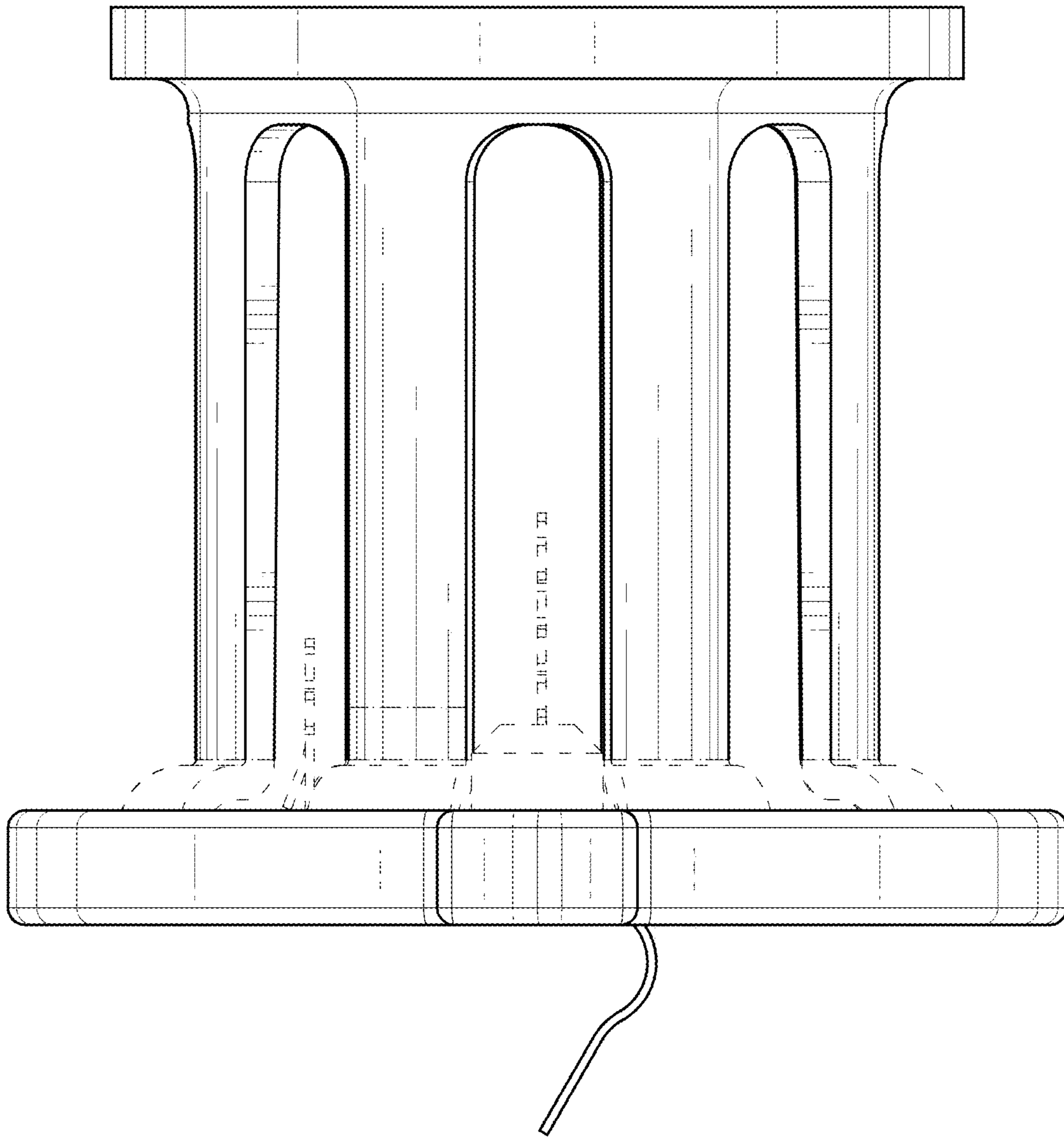


FIG. 5

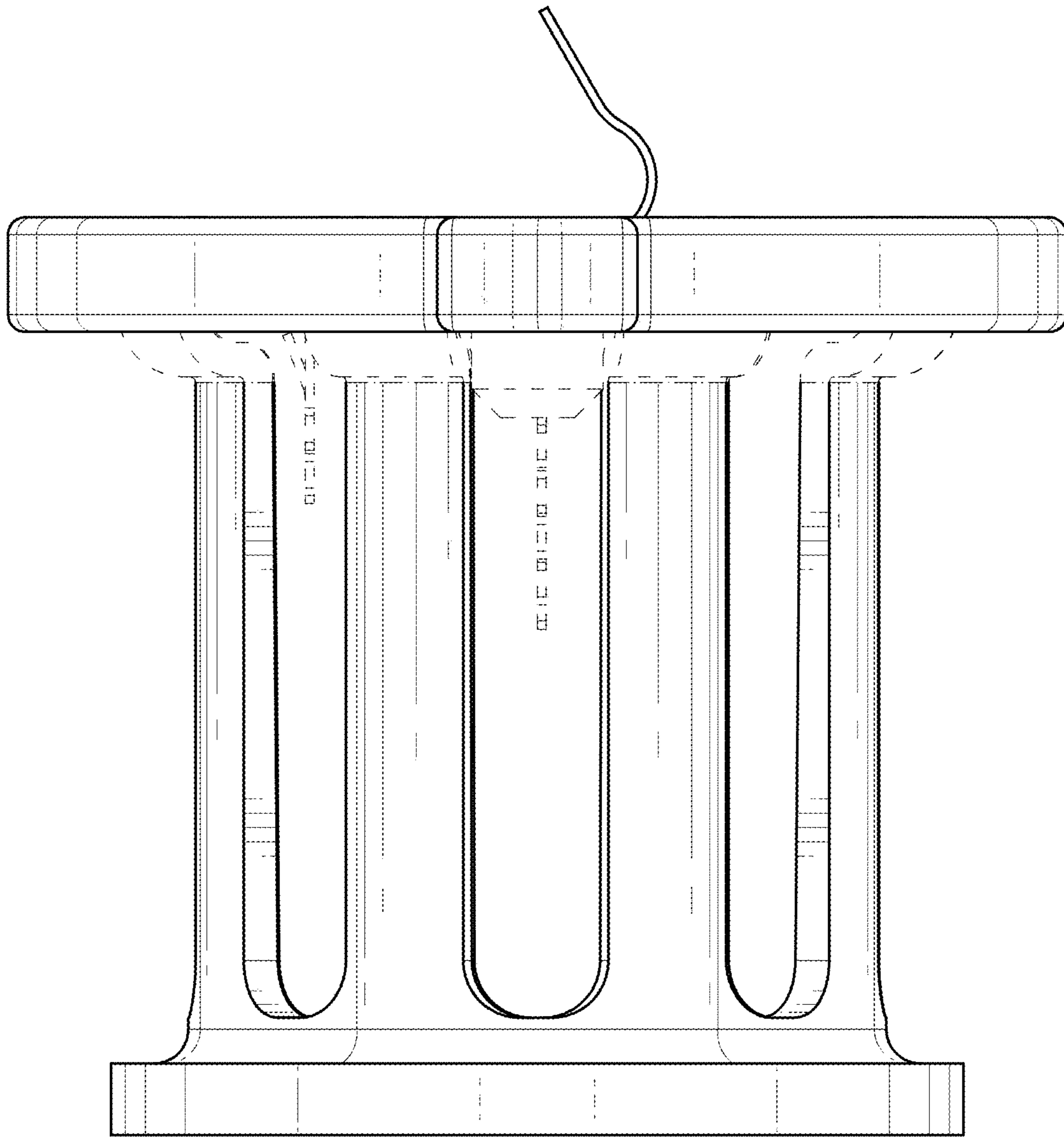


FIG. 6

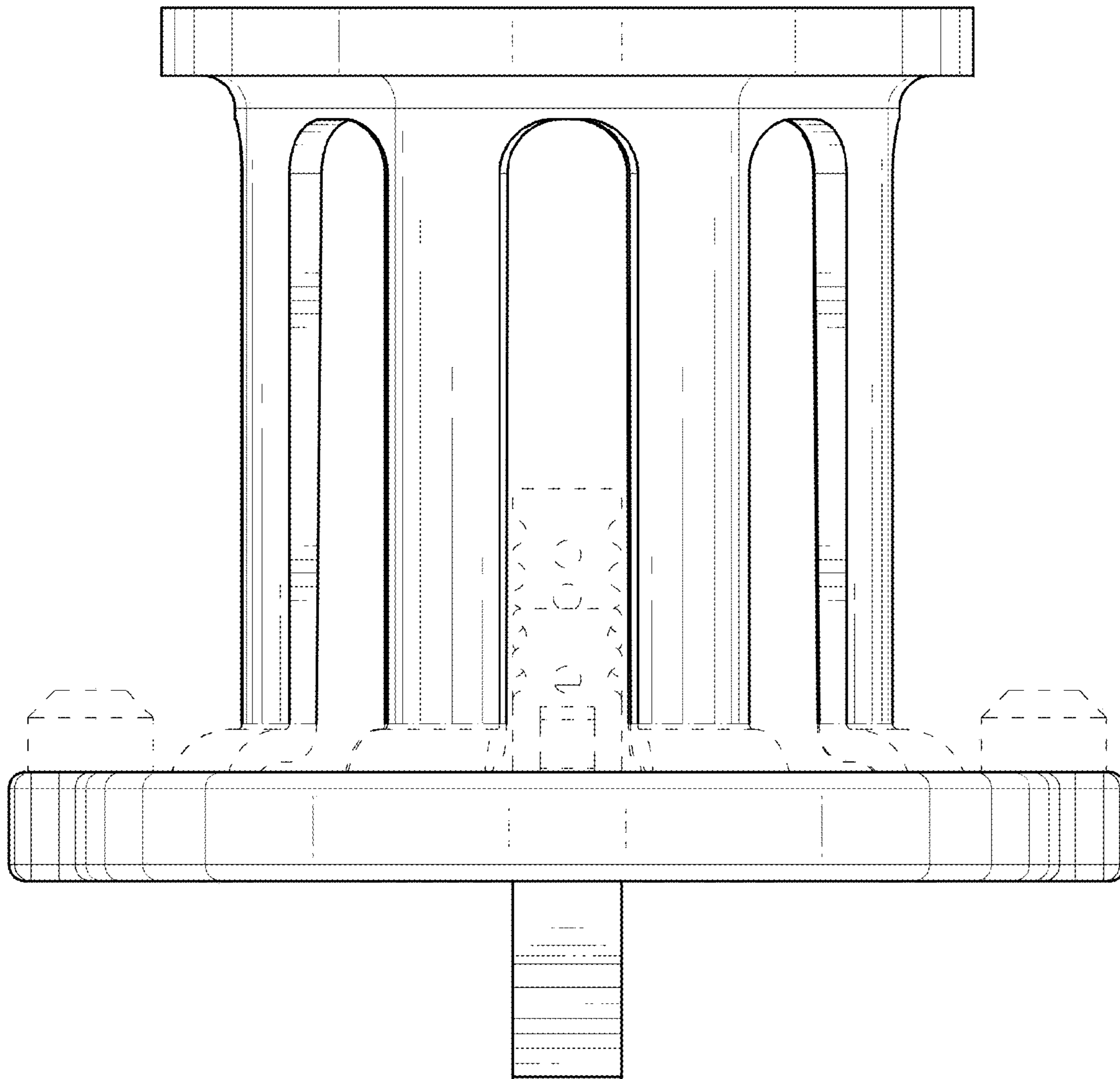


FIG. 7

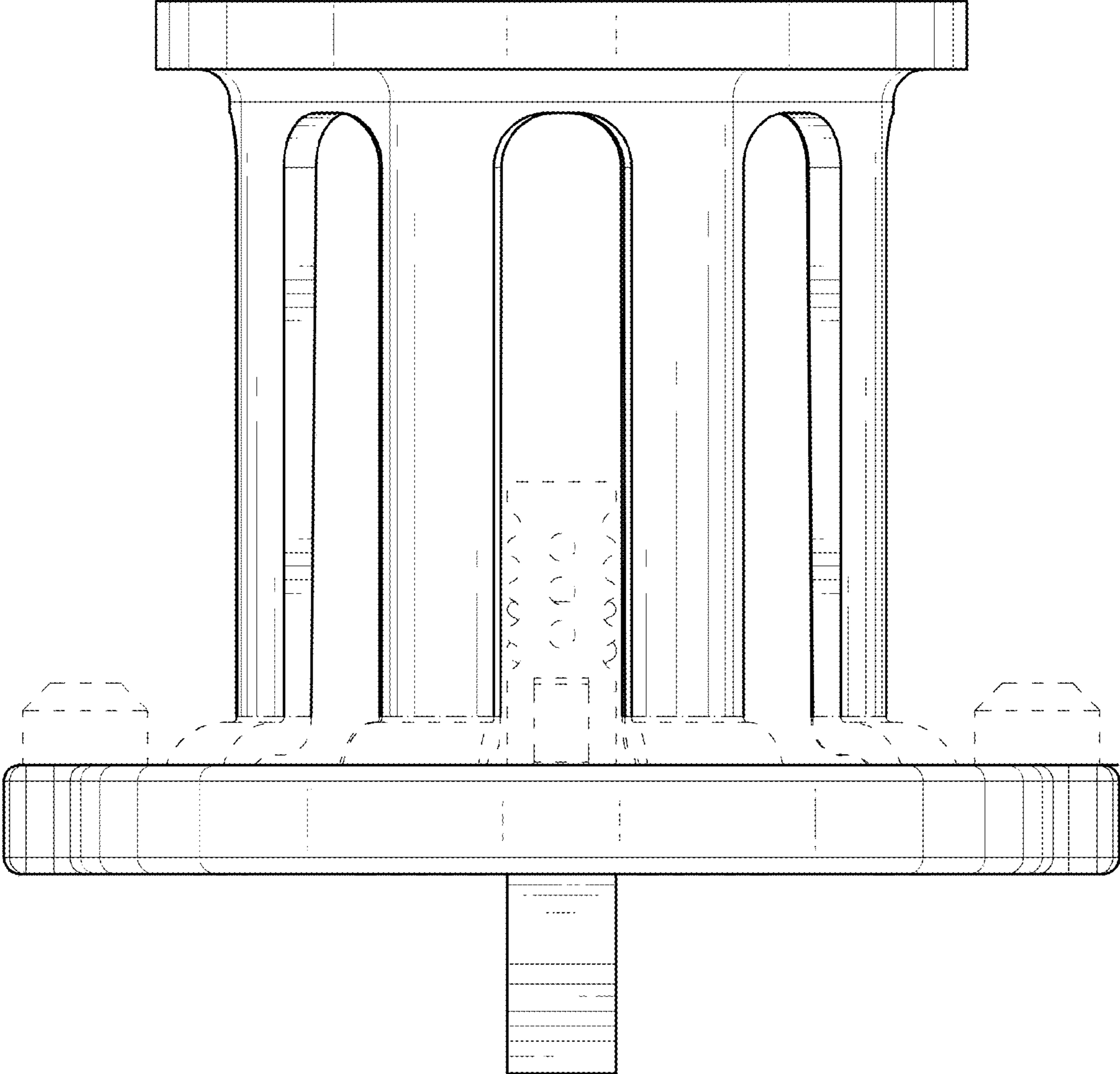


FIG. 8