



US00D971369S

(12) **United States Design Patent** (10) **Patent No.:** **US D971,369 S**  
**Callesen et al.** (45) **Date of Patent:** **\*\* Nov. 29, 2022**

(54) **CLIMBING STRUCTURE**  
(71) Applicant: **Kompan A/S**, Odense SØ (DK)  
(72) Inventors: **Jacob Dahl Callesen**, Odense SØ (DK); **Nikolaj Maj Bentsen**, Odense SØ (DK)

D825,703 S \* 8/2018 Eroglu ..... D21/826  
D833,557 S 11/2018 Jeffrey  
D916,996 S \* 4/2021 Scott ..... D21/826  
D944,914 S \* 3/2022 Köhler ..... E04H 15/18  
D21/826  
2008/0210799 A1 9/2008 Koehler

(\*\*) Term: **15 Years**

(21) Appl. No.: **35/512,056**

(22) Filed: **Dec. 21, 2020**

(80) **Hague Agreement Data**

Int. Filing Date: **Dec. 21, 2020**  
Int. Reg. No.: **DM/212427**  
Int. Reg. Date: **Dec. 21, 2020**  
Int. Reg. Pub. Date: **Jun. 25, 2021**

(51) **LOC (13) Cl.** ..... **21-03**

(52) **U.S. Cl.**  
USPC ..... **D21/826**

(58) **Field of Classification Search**  
USPC .... D21/814, 816, 818-822, 826; D25/6, 31,  
D25/62-66, 199  
CPC ..... A63B 9/00; A63B 2009/004; A63B  
2009/006

See application file for complete search history.

(56) **References Cited**

**U.S. PATENT DOCUMENTS**

D187,138 S 2/1960 Highberger'  
D195,633 S \* 7/1963 Haubert ..... D21/827  
3,970,301 A \* 7/1976 Lehmann ..... E04H 15/18  
428/542.6  
D361,818 S 8/1995 Von Parrish  
D472,954 S 4/2003 Kohler  
D615,607 S 5/2010 Hwang  
D628,668 S 12/2010 Kilgriff  
D731,611 S 6/2015 Klein  
D814,589 S \* 4/2018 Eroglu ..... D21/826

**OTHER PUBLICATIONS**

Kompan A/S, Kompan Giants, Brochure, 2020, Online issue, found at <https://secure.viewer.zmags.com/publication/0f59e1a9#0f59e1a9/2>. 68 pages.  
Kompan A/S, Corocord 2020, Catalog 2020, Online issue, found at <https://secure.viewer.zmags.com/publication/347f29e3#347f29e3/2>. 168 pages.  
Kompan A/S, Robinia Play Sculptures, Catalog 2020, Online issue, found at <https://secure.viewer.zmags.com/publication/b47dbbb9#b47dbbb9/1>. 66 pages.  
Kompan A/S, Kompan 2020, Catalog 2020, Online issue, found at <https://secure.viewer.zmags.com/publication/0b44c22d#0b44c22d/1>. 344 pages.

(Continued)

*Primary Examiner* — Joseph Kukella

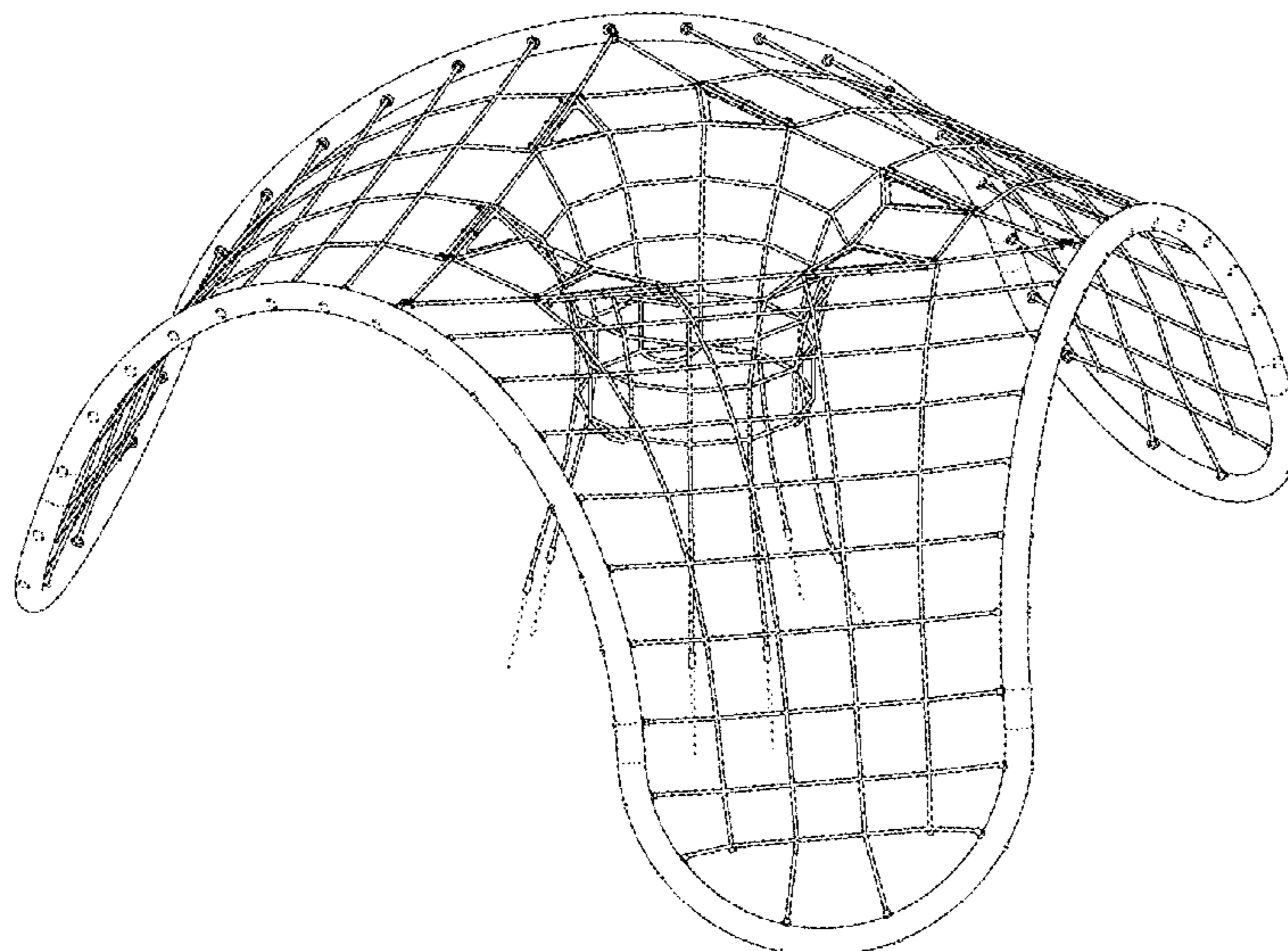
(57) **CLAIM**

The ornamental design for a climbing structure, as shown and described.

**DESCRIPTION**

1.1 is a perspective view of our new design for a climbing structure.  
1.2 is a front view thereof.  
1.3 is a Back view thereof.  
1.4 is a Left view thereof.  
1.5 is a Right view thereof  
1.6 is a top view thereof  
1.7 is a bottom view thereof  
The features shown in broken lines in the drawings depict environmental subject matter only, and form no part of the claimed designs.

**1 Claim, 7 Drawing Sheets**



(56)

**References Cited**

OTHER PUBLICATIONS

Pending U.S. Appl. No. 29/753,986, filed Oct. 5, 2020, applicant  
Kompan A/S.

Pending U.S. Appl. No. 29/804,534, filed Aug. 20, 2021, applicant  
Kompan A/S.

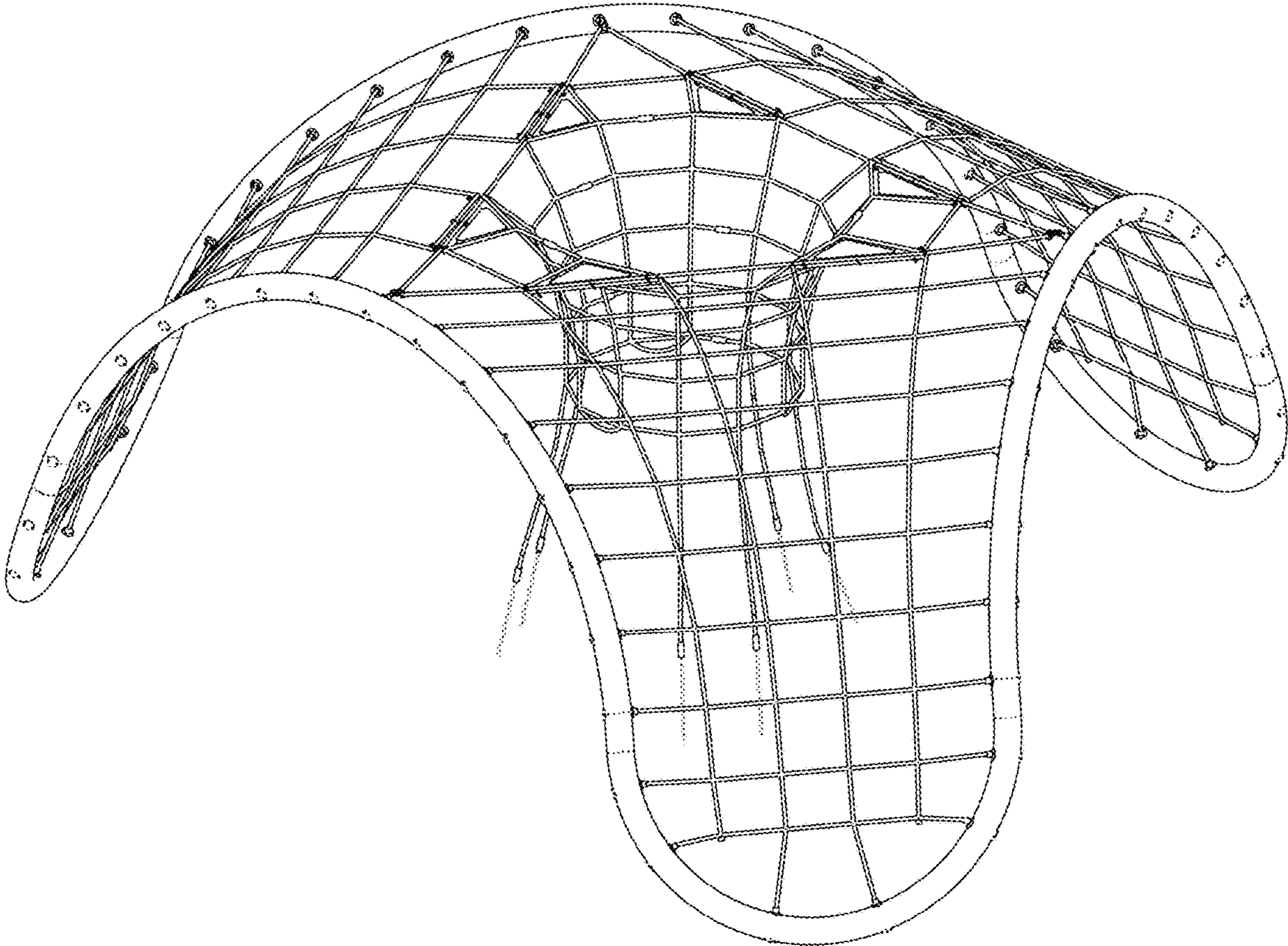
Pending U.S. Appl. No. 29/828,858, filed Mar. 1, 2022, applicant  
Kompan A/S.

Pending U.S. Appl. No. 35/509,474, filed Sep. 23, 2019, applicant  
Kompan A/S.

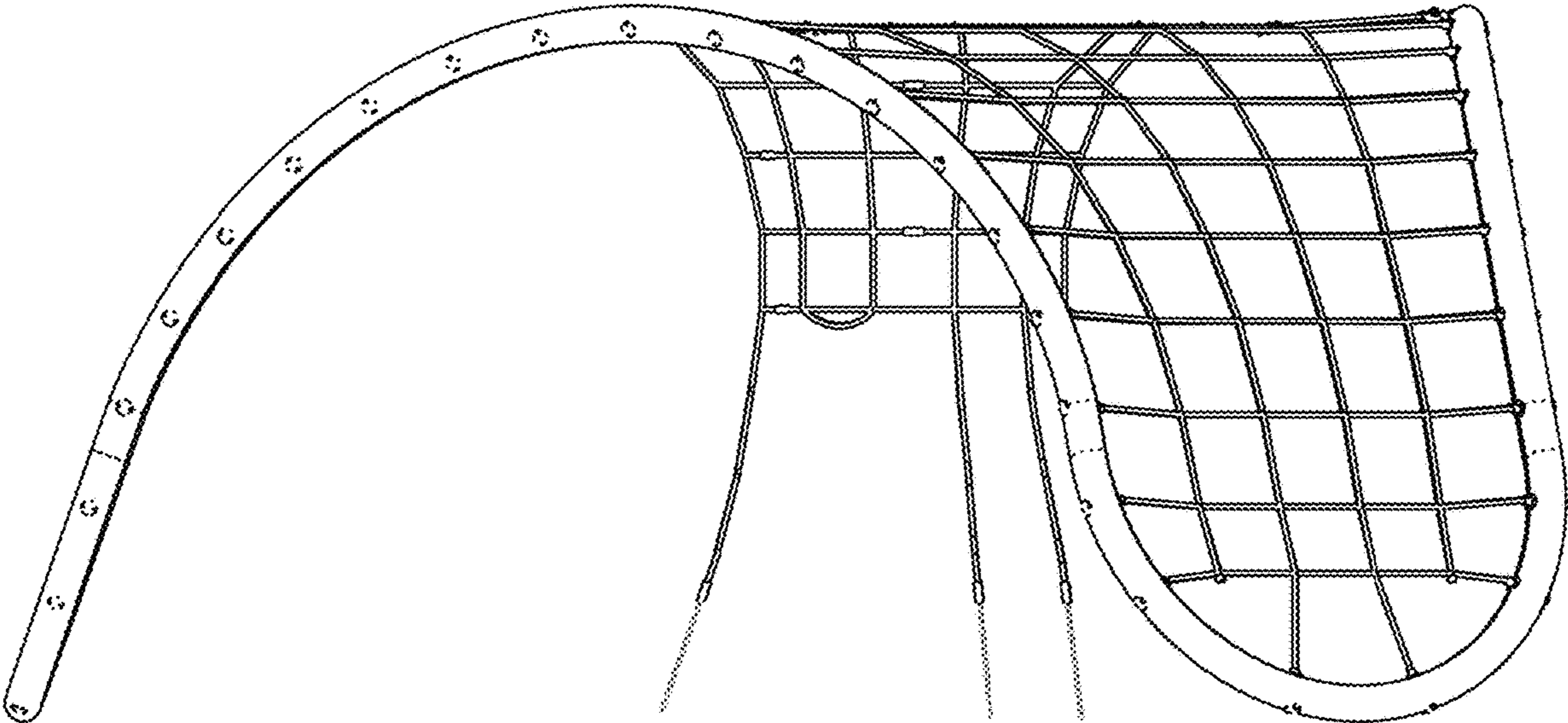
Pending U.S. Appl. No. 35/511,552, filed Sep. 14, 2020, applicant  
Kompan A/S.

\* cited by examiner

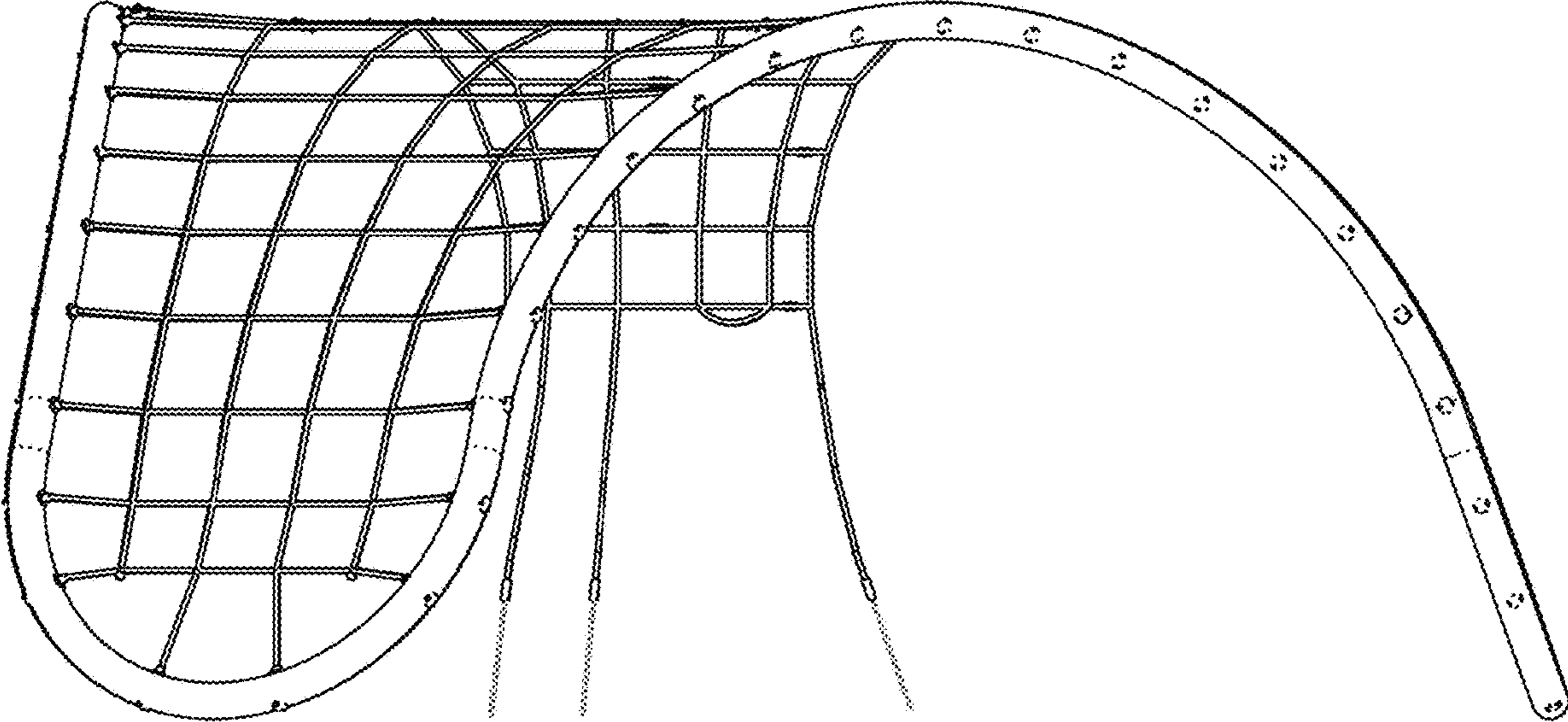
1.1



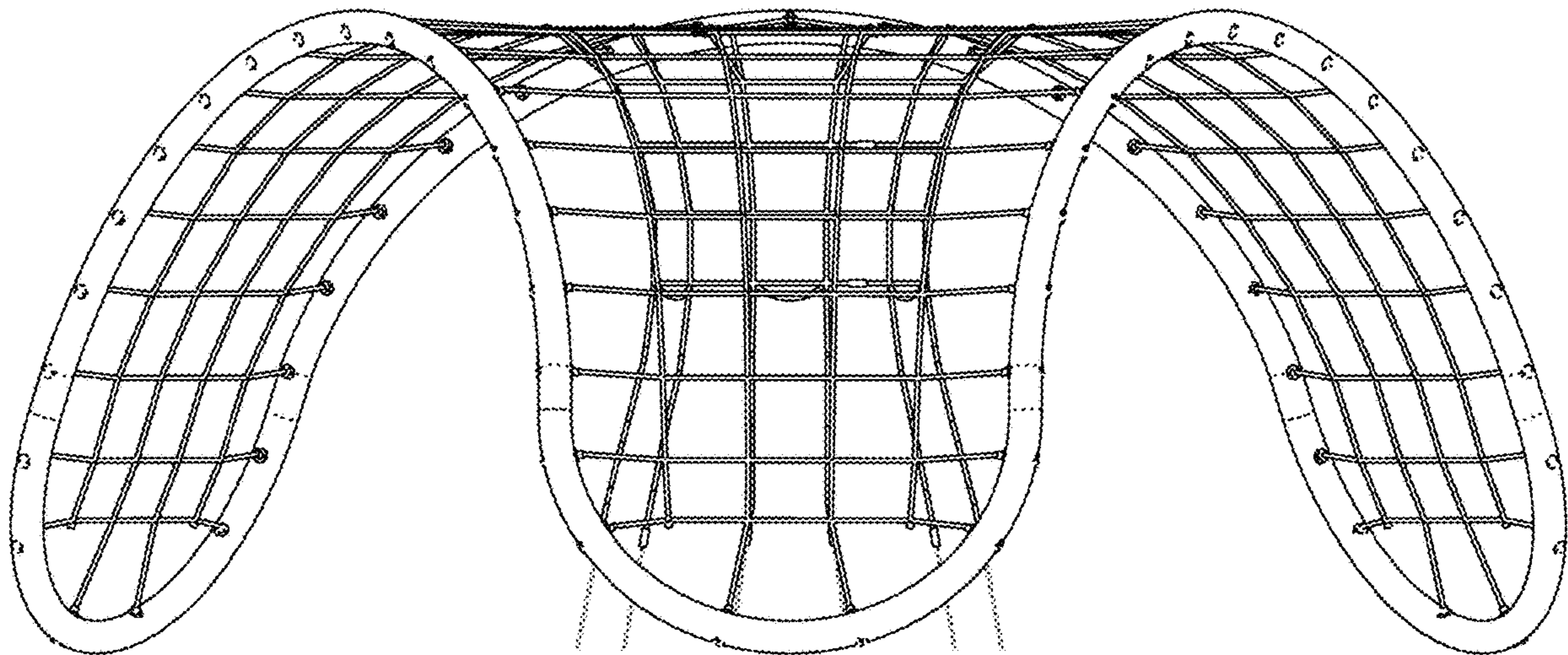
1.2



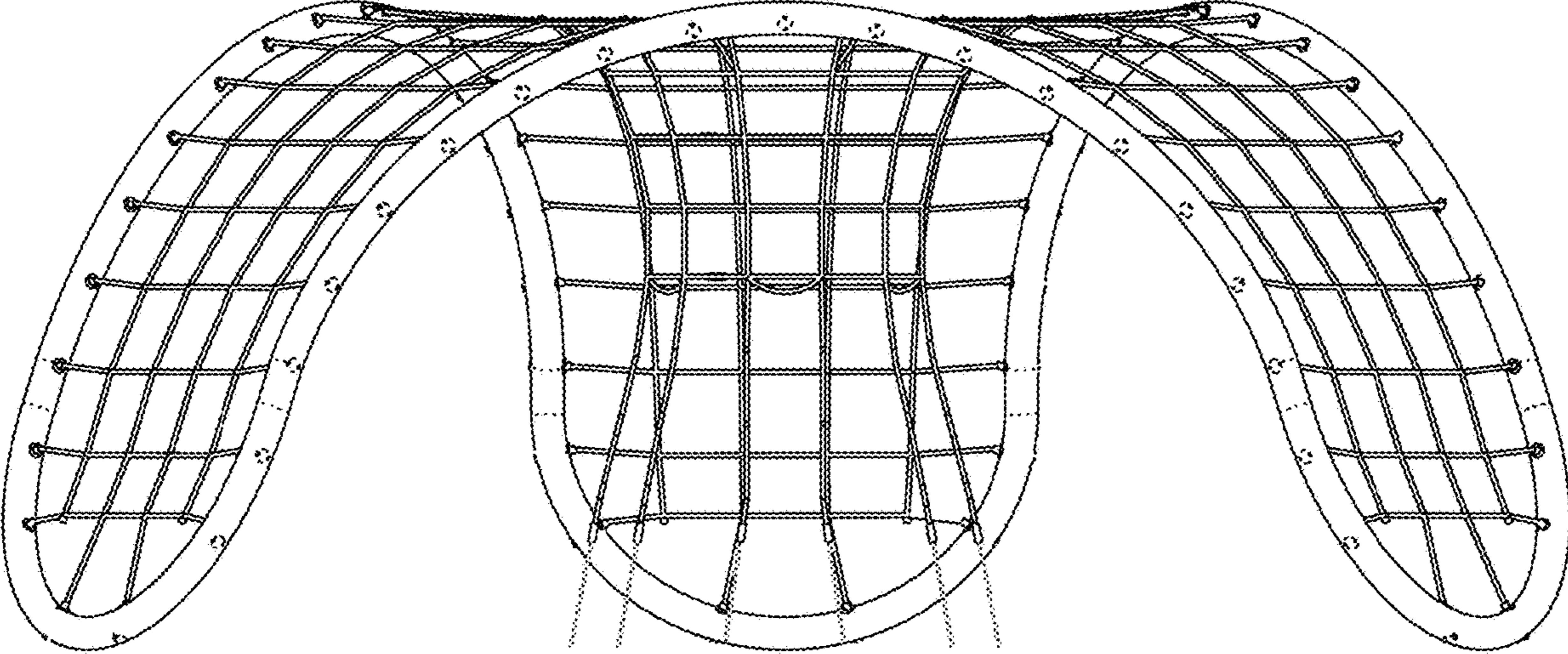
1.3



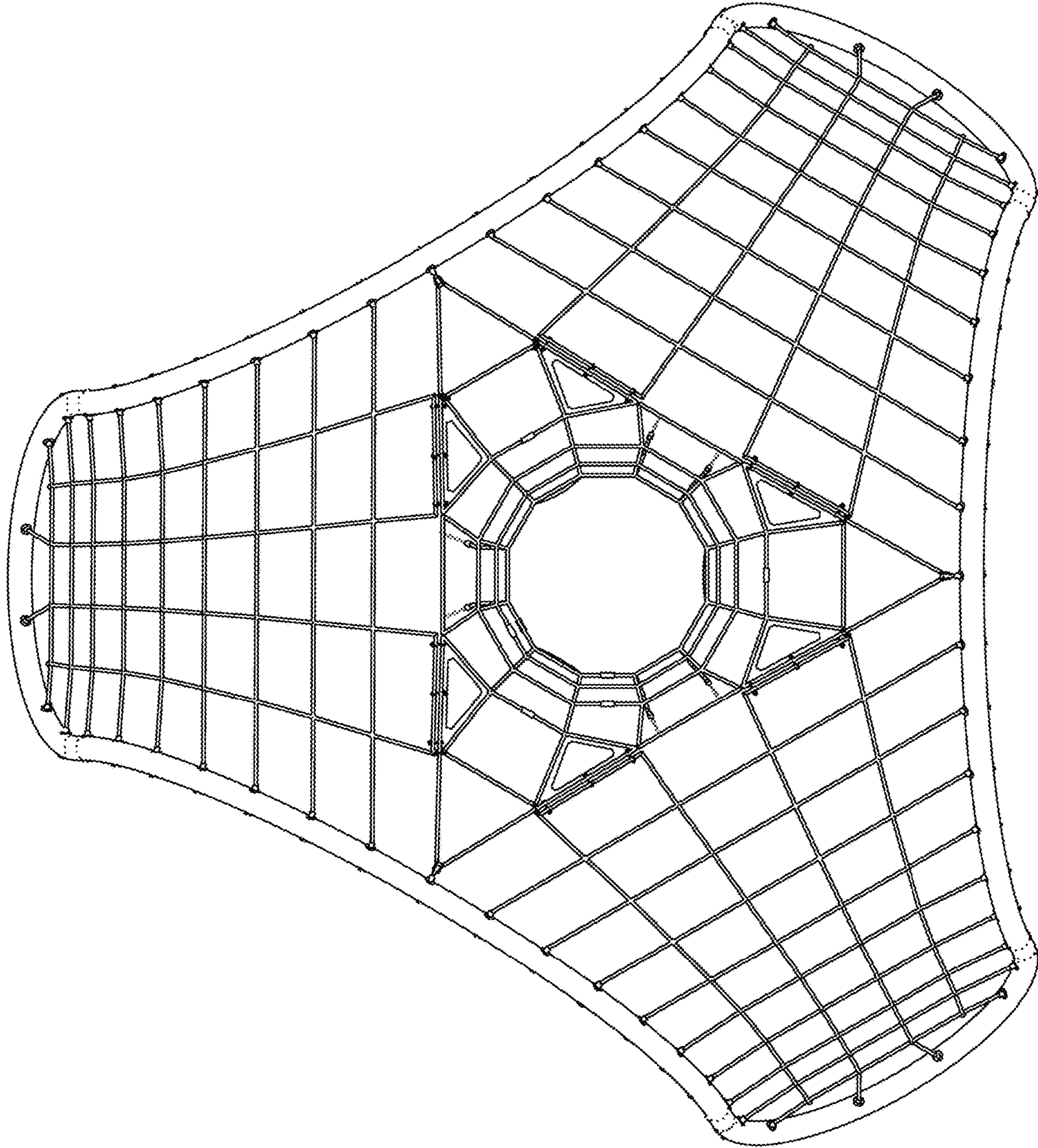
1.4



1.5



1.6





1.7

