



US00D971367S

(12) **United States Design Patent**
Meng

(10) **Patent No.:** **US D971,367 S**

(45) **Date of Patent:** **** Nov. 29, 2022**

(54) **HORIZONTAL BAR**

(71) Applicant: **Cangzhou Gema Sport Equipment Co., Ltd.**, Hebei (CN)

(72) Inventor: **Weikang Meng**, Hebei (CN)

(73) Assignee: **Cangzhou Gema Sport Equipment Co., Ltd.**, Hebei (CN)

(**) Term: **15 Years**

(21) Appl. No.: **29/839,495**

(22) Filed: **May 20, 2022**

(51) **LOC (13) Cl.** **21-02**

(52) **U.S. Cl.**
USPC **D21/796**

(58) **Field of Classification Search**
USPC D21/814, 686, 694, 677, 679, 692, 703,
D21/715, 765, 756, 691, 662, 826, 797,
D21/796

See application file for complete search history.

(56) **References Cited**

U.S. PATENT DOCUMENTS

1,495,536	A *	5/1924	Smith	A63B 1/00
					D21/797
4,241,914	A *	12/1980	Bushnell	A63B 21/00181
					482/130
D290,033	S *	5/1987	Policastro	D21/691
D487,124	S *	2/2004	Toniolo	D21/691
D617,400	S *	6/2010	Hetzel	D21/691
D755,909	S *	5/2016	James	D21/686
D910,127	S	2/2021	Speas		
D927,610	S *	8/2021	Song	D21/679
D939,647	S *	12/2021	Huang	D21/686

(Continued)

OTHER PUBLICATIONS

Athletic, announced 2021 [online], [site visited Sep. 15, 2022]. Available on internet, URL:<https://www.amazon.com/ATHLETIC-Gymnastics-Expandable-Kip-Pink/dp/B09KCQCDFY/ref> (Year: 2021).*

(Continued)

Primary Examiner — Khawaja Anwar

Assistant Examiner — Julice Seung Eun Oum

(74) *Attorney, Agent, or Firm* — True Shepherd, LLC;
Andrew Cheng

(57) **CLAIM**

The ornamental design for a horizontal bar, as shown and described.

DESCRIPTION

FIG. 1 is a front, left and top perspective view of a horizontal bar, showing my design.

FIG. 2 is a rear, right and bottom perspective view thereof.

FIG. 3 is a front elevation view thereof.

FIG. 4 is a rear elevation view thereof.

FIG. 5 is a left side elevation view thereof.

FIG. 6 is a right side elevation view thereof.

FIG. 7 is a top plan view thereof.

FIG. 8 is a bottom plan view thereof.

FIG. 9 is a partial enlarged view of an area labeled 9 in FIG. 1.

FIG. 10 is a partial enlarged view of an area labeled 10 in FIG. 2.

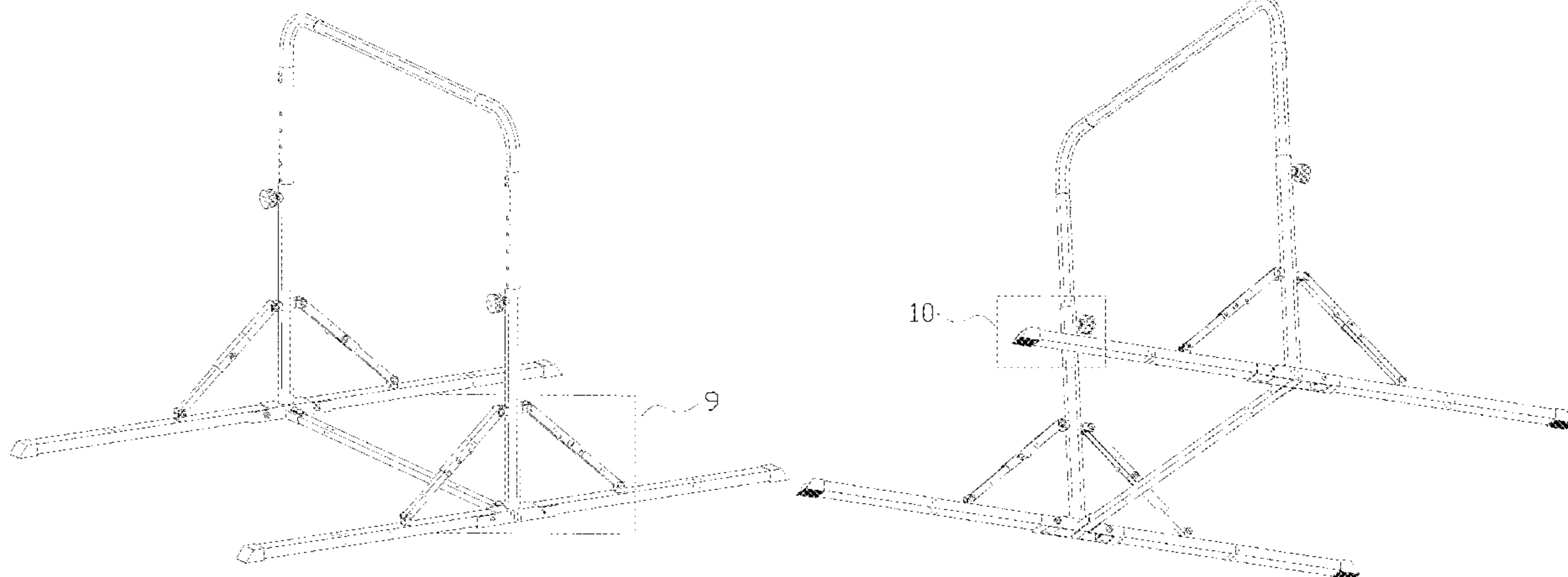
FIG. 11 is a partial enlarged view of an area labeled 11 in FIG. 6.

FIG. 12 is a partial enlarged view of an area labeled 12 in FIG. 7; and,

FIG. 13 is another front, left and top perspective view of the horizontal bar in a folded state.

The dot-dash broken lines in the drawings depict the boundaries of the enlargements that form no part of the claimed design.

1 Claim, 13 Drawing Sheets



(56)

References Cited

U.S. PATENT DOCUMENTS

D955,522 S * 6/2022 Song D21/797
D961,025 S * 8/2022 Chen D21/691
2005/0009671 A1* 1/2005 Hummer A63B 71/0036
482/94

OTHER PUBLICATIONS

Pregymnastic, announced 2018 [online], [site visited Sep. 15, 2022]. Available on internet, URL:<https://www.amazon.com/PreGymnastic-Gymnastics-Sturdier-Assemble-Dis-Assemble/dp/B07G2CVVN7/ref> (Year: 2018).*

* cited by examiner

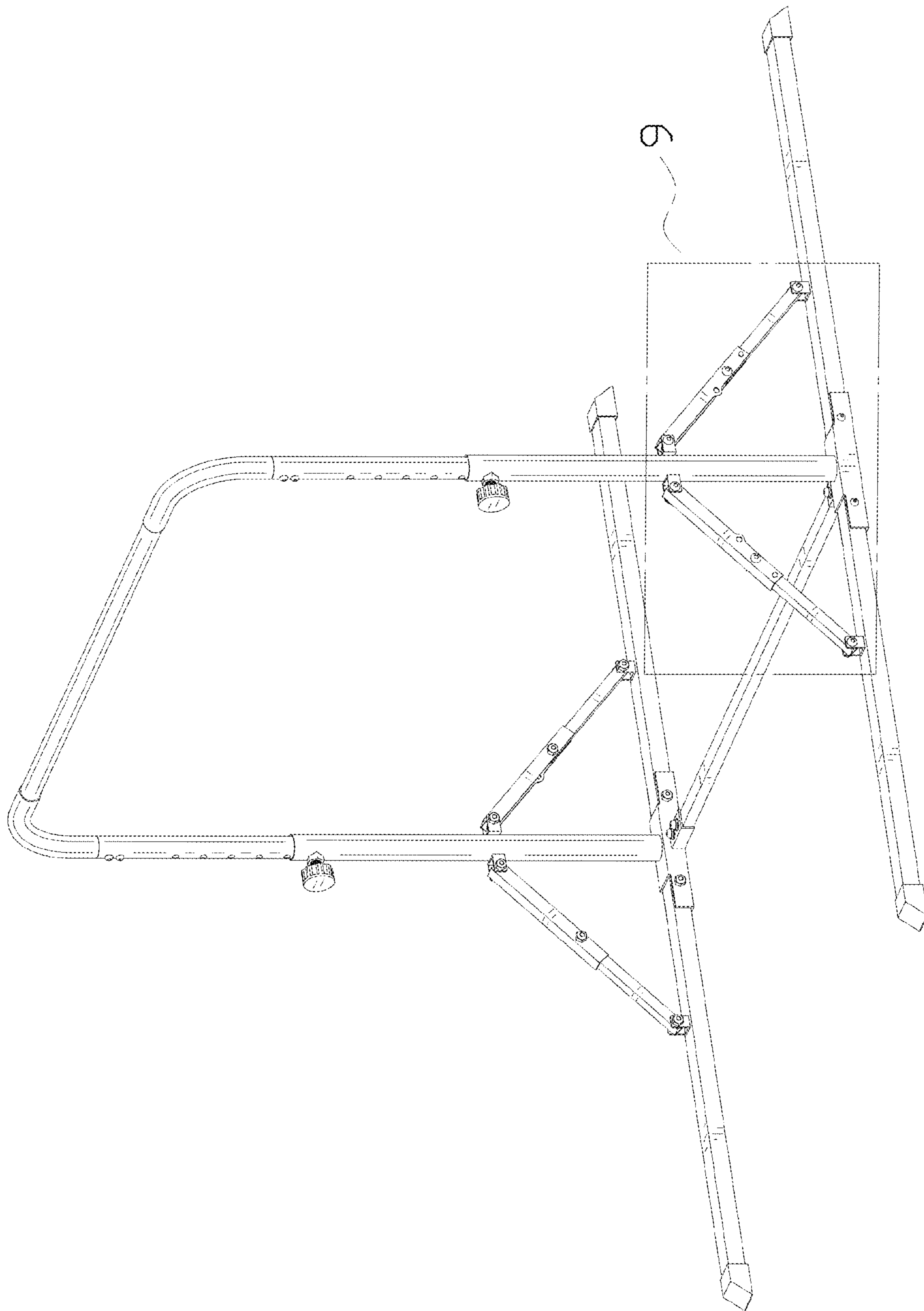
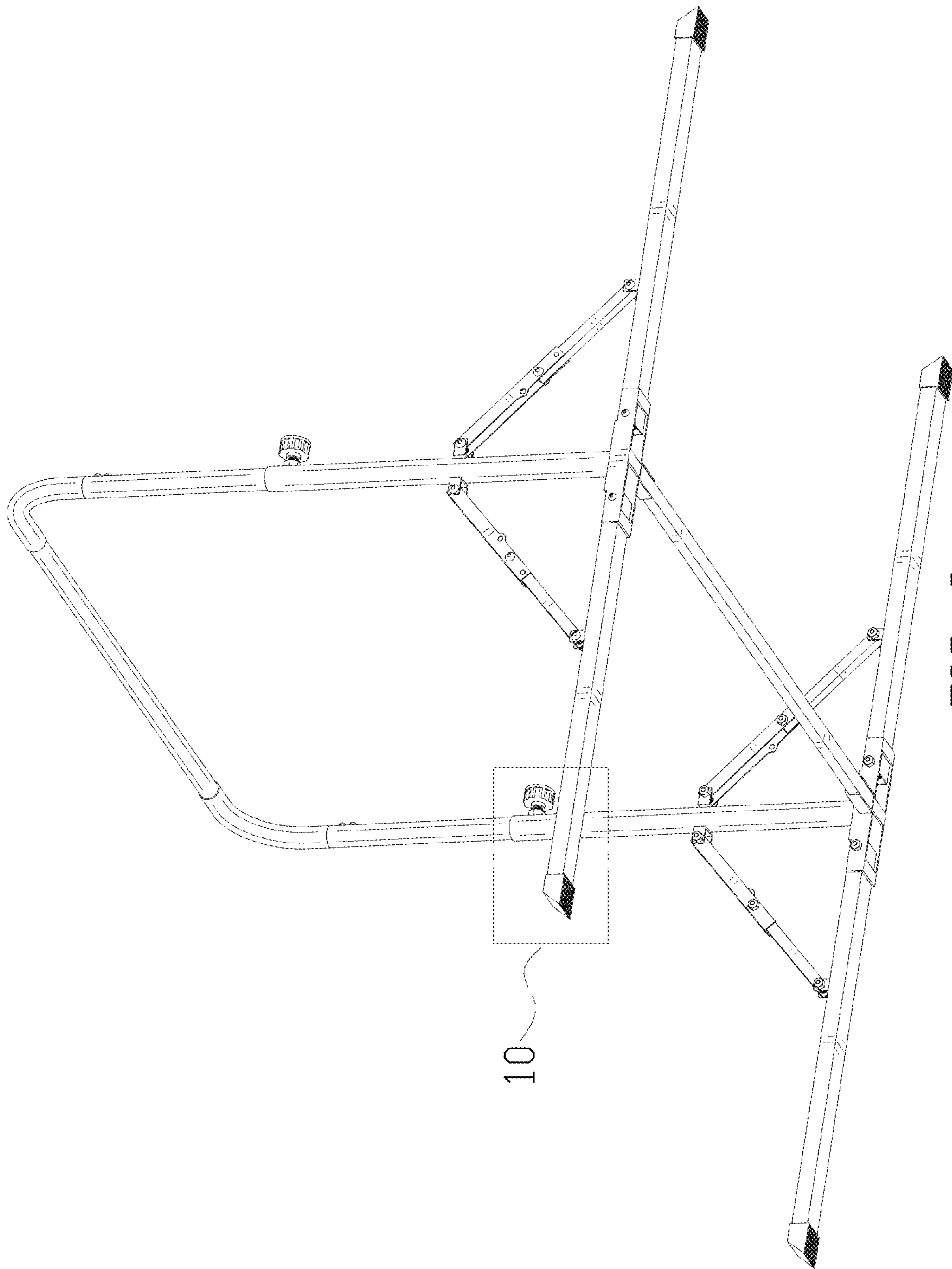


FIG. 1



10

FIG. 2

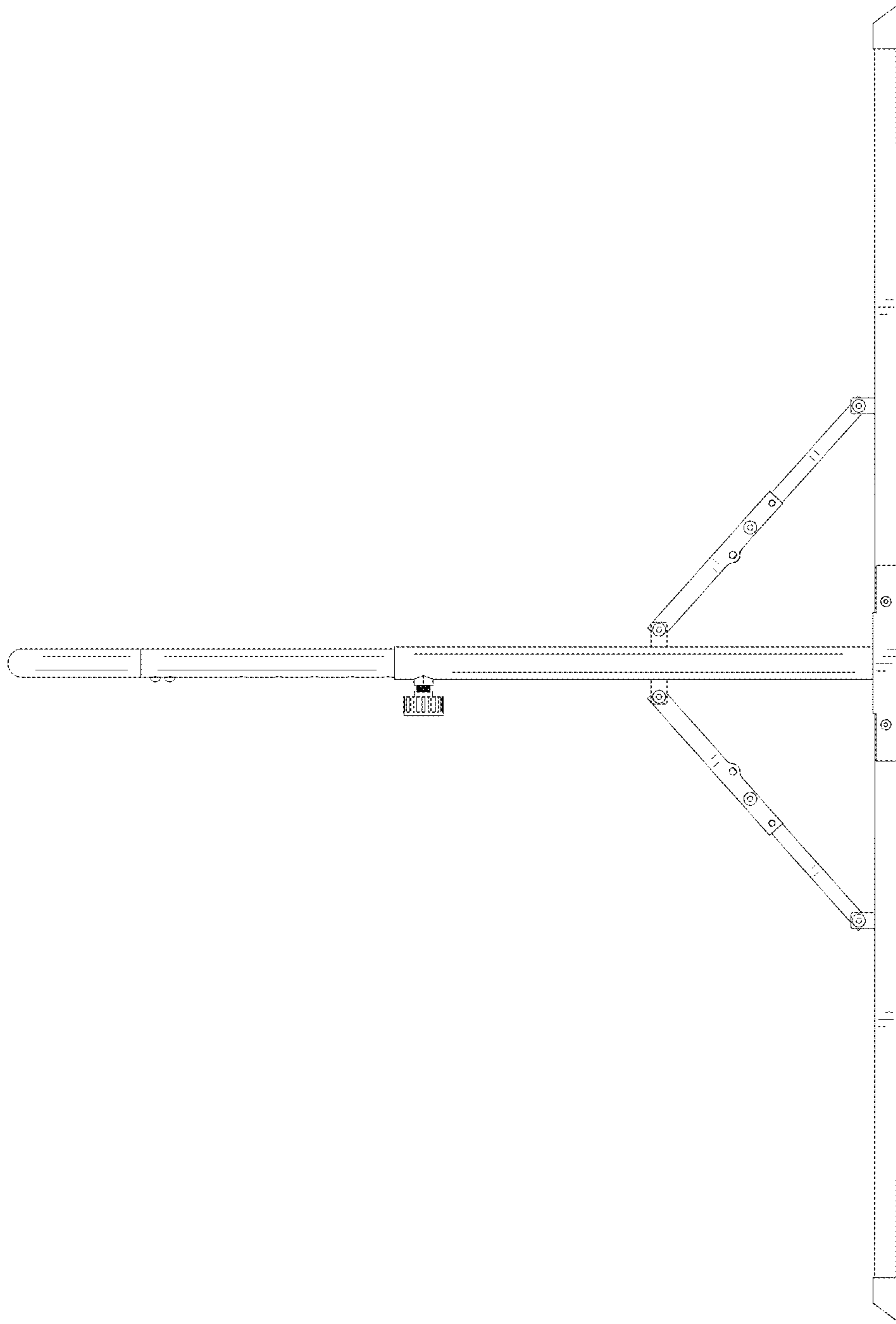


FIG. 3

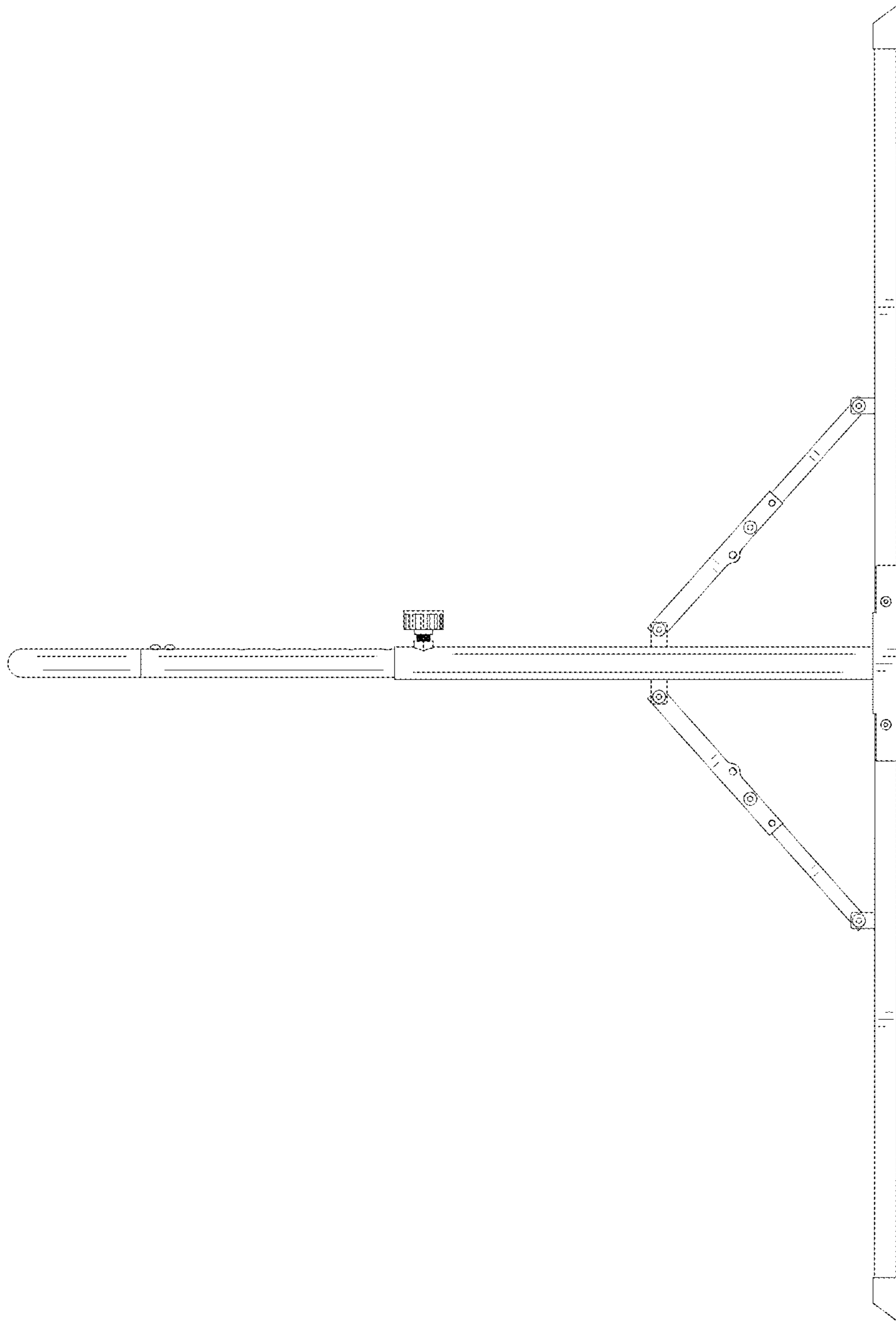


FIG. 4

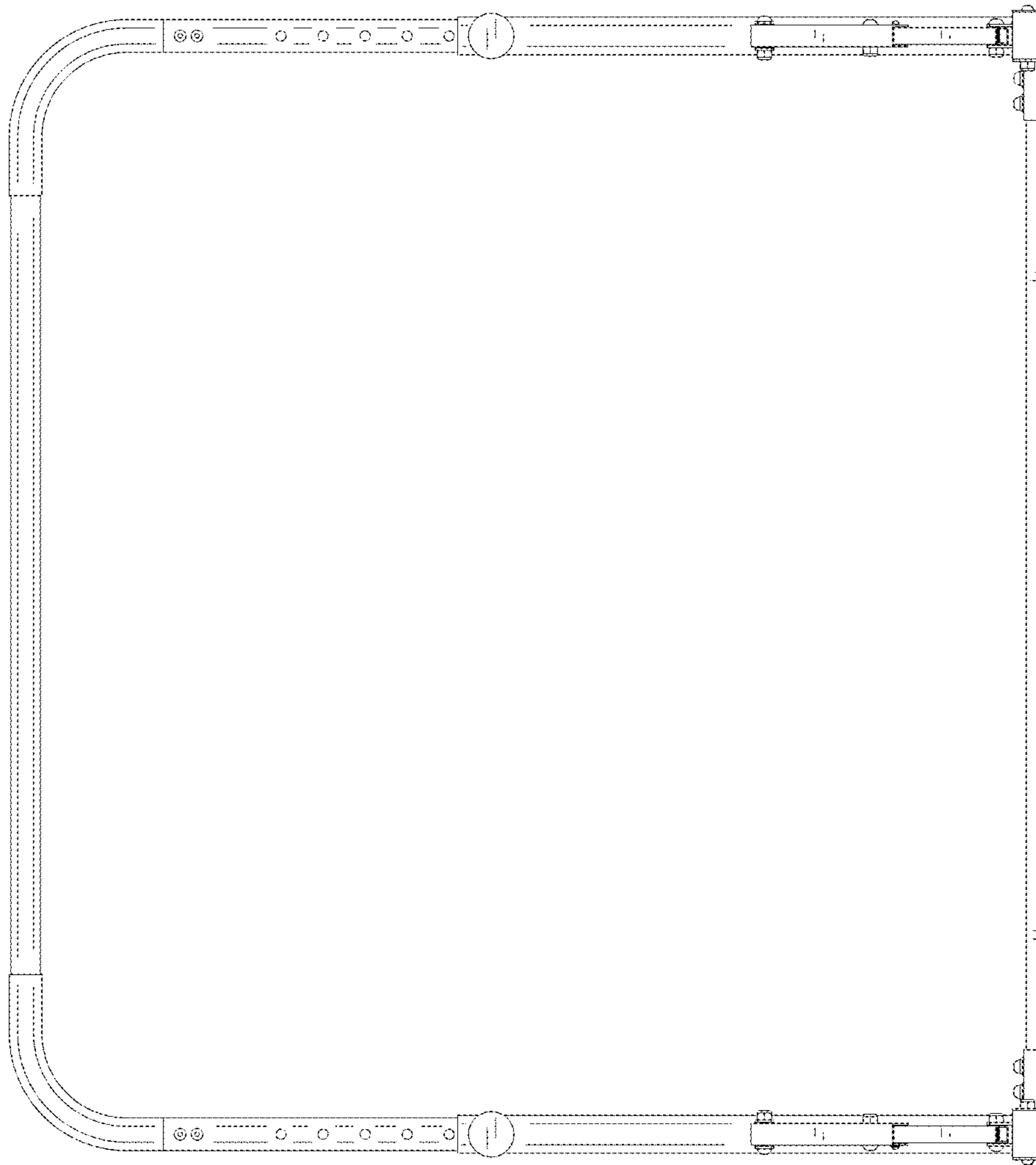


FIG. 5

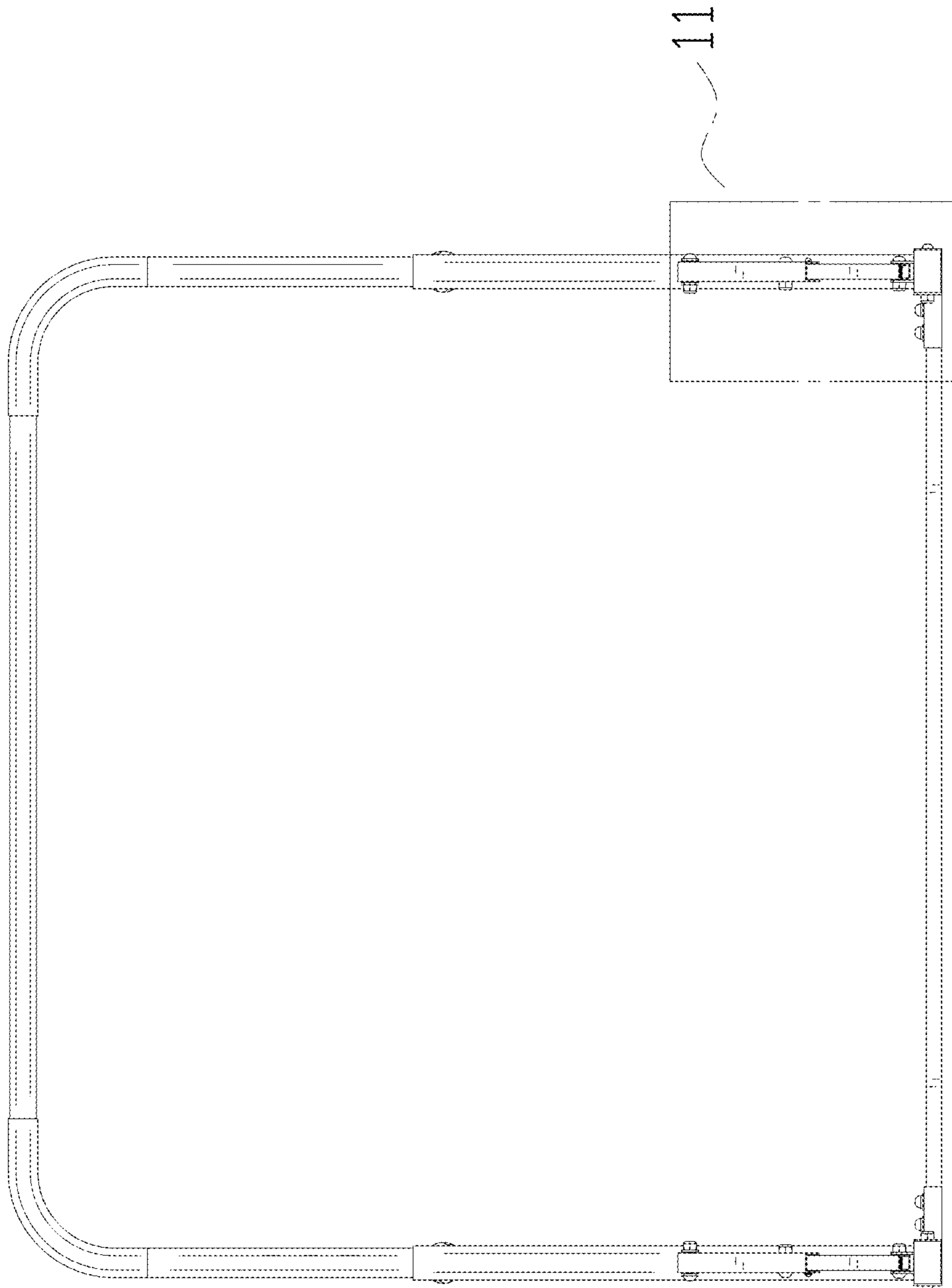


FIG. 6

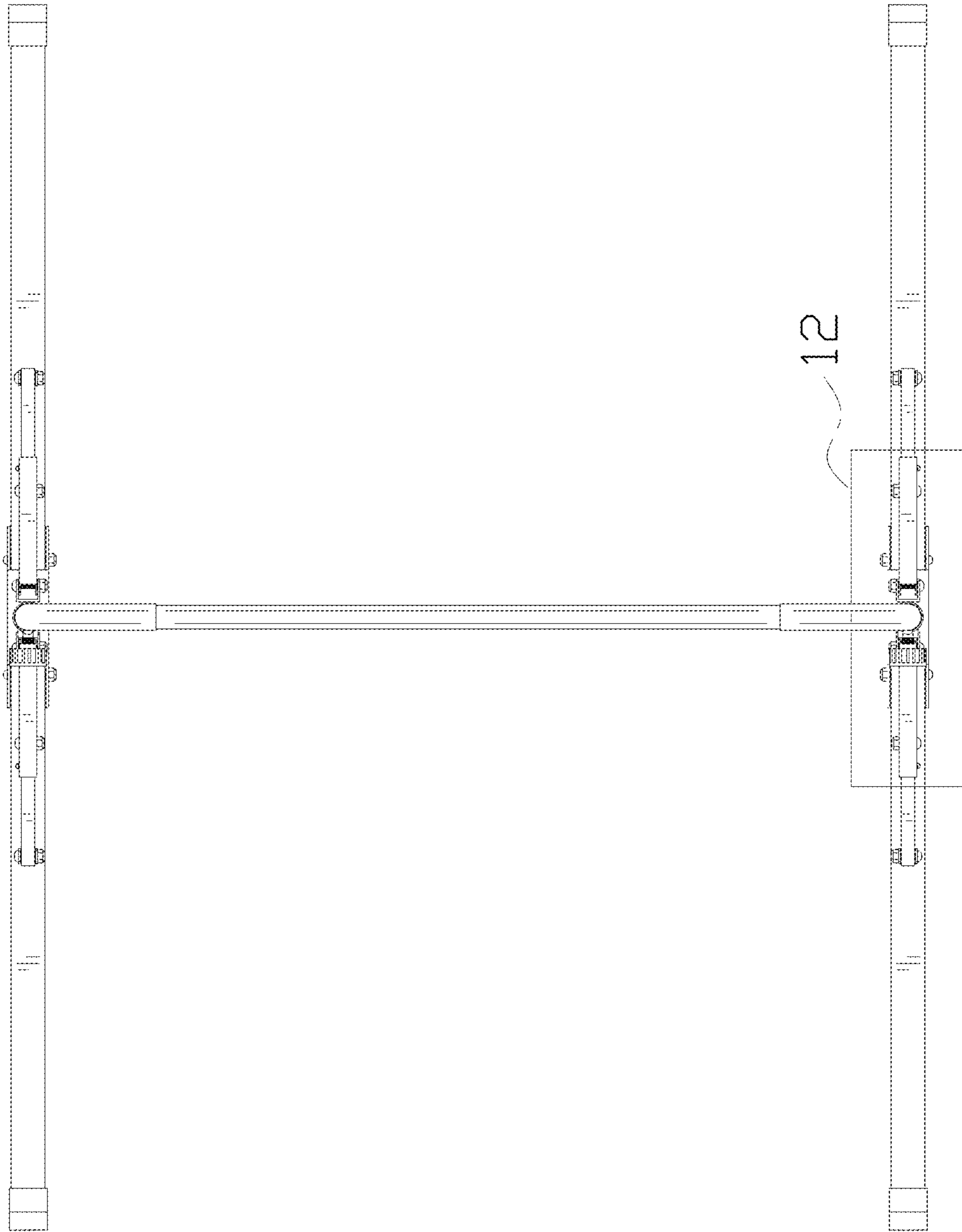


FIG. 7

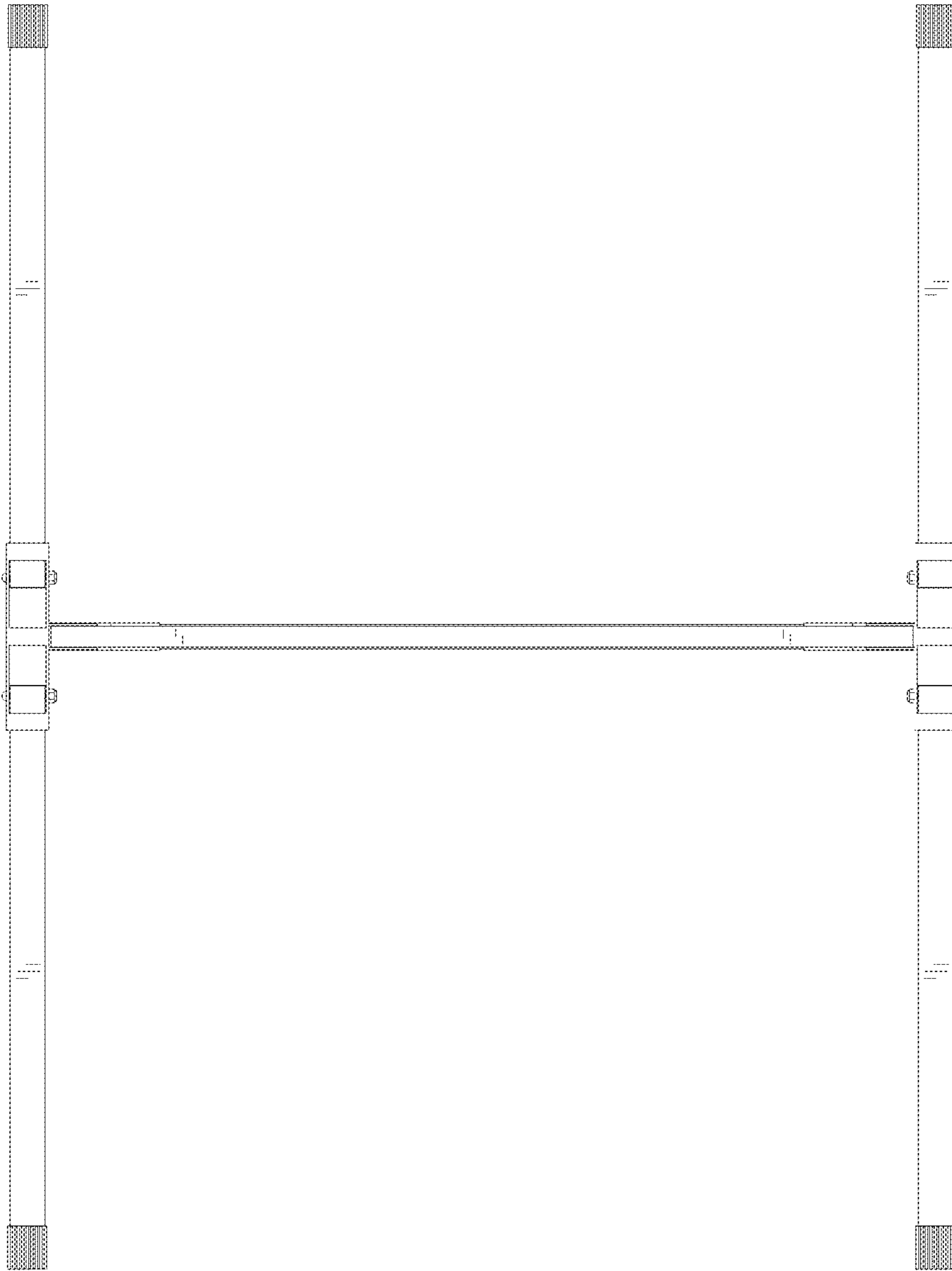


FIG. 8

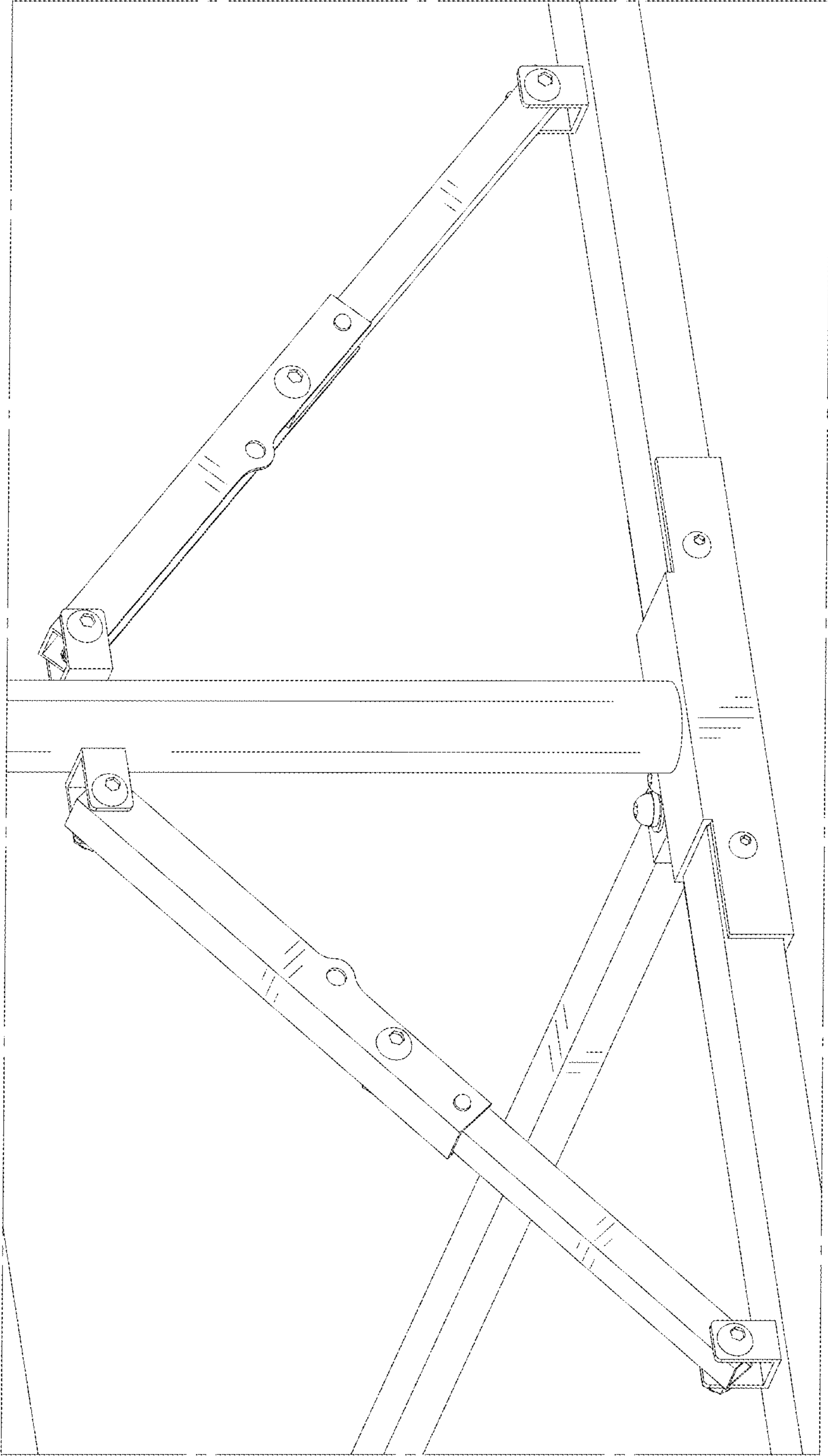


FIG. 9

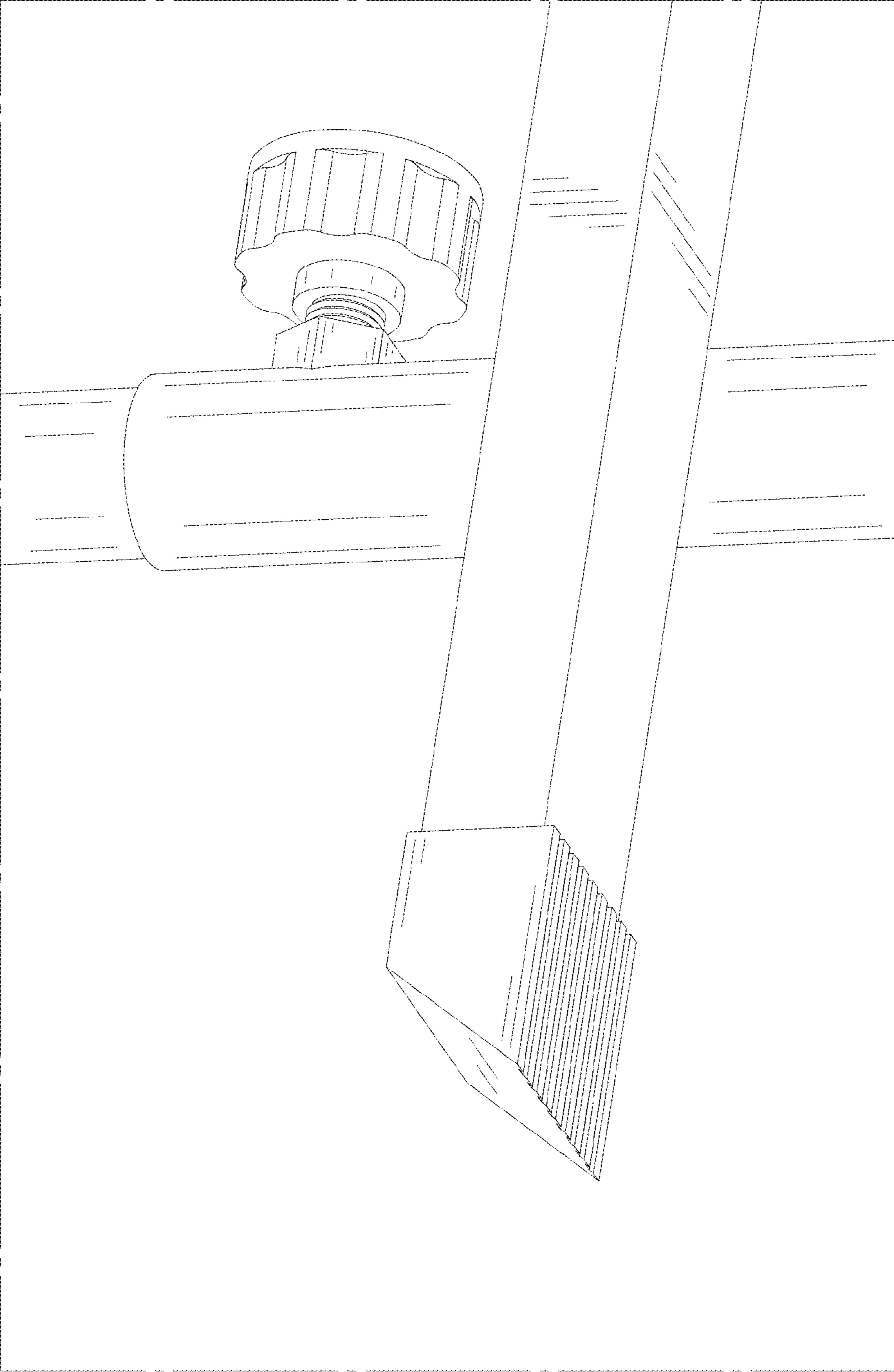


FIG. 10

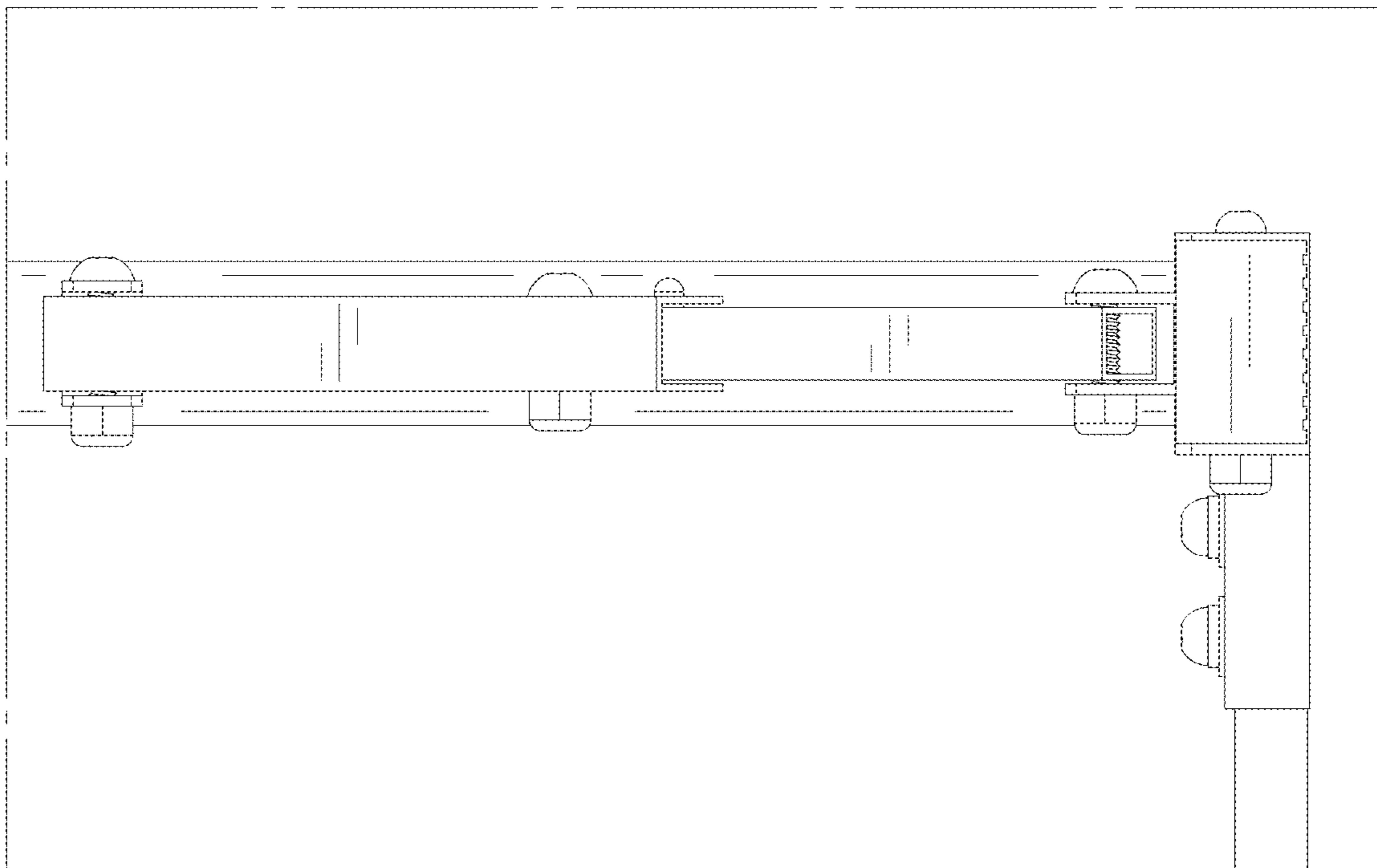


FIG. 11

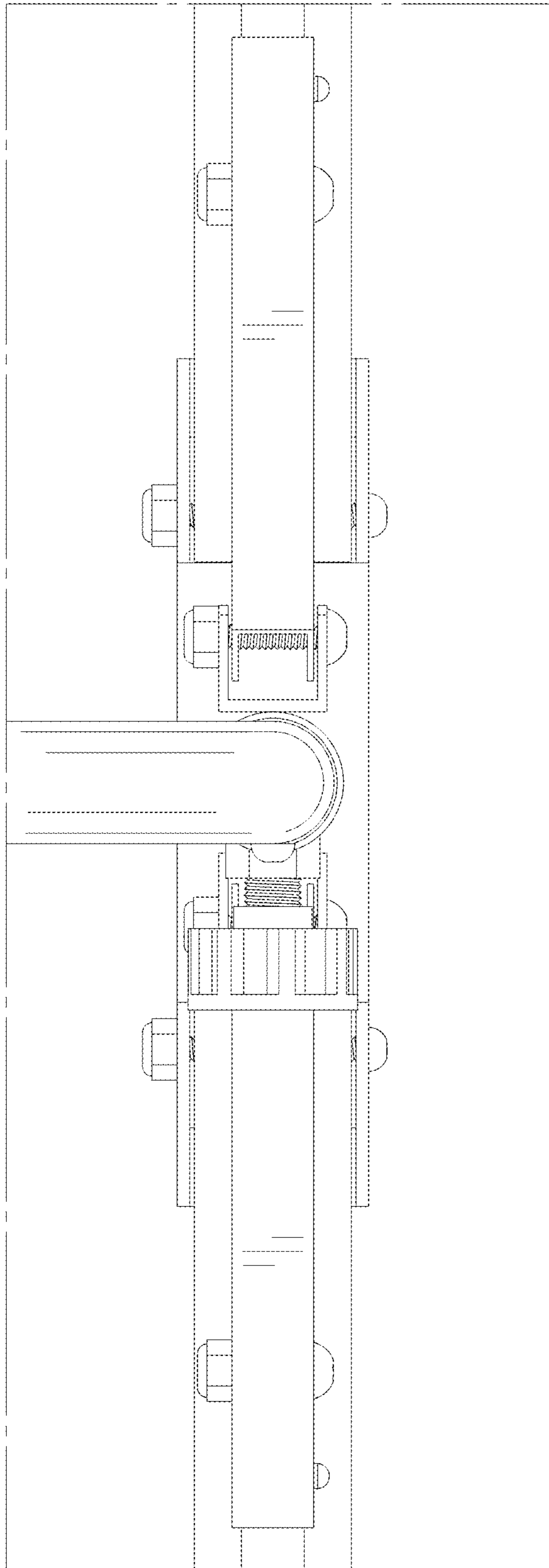


FIG. 12

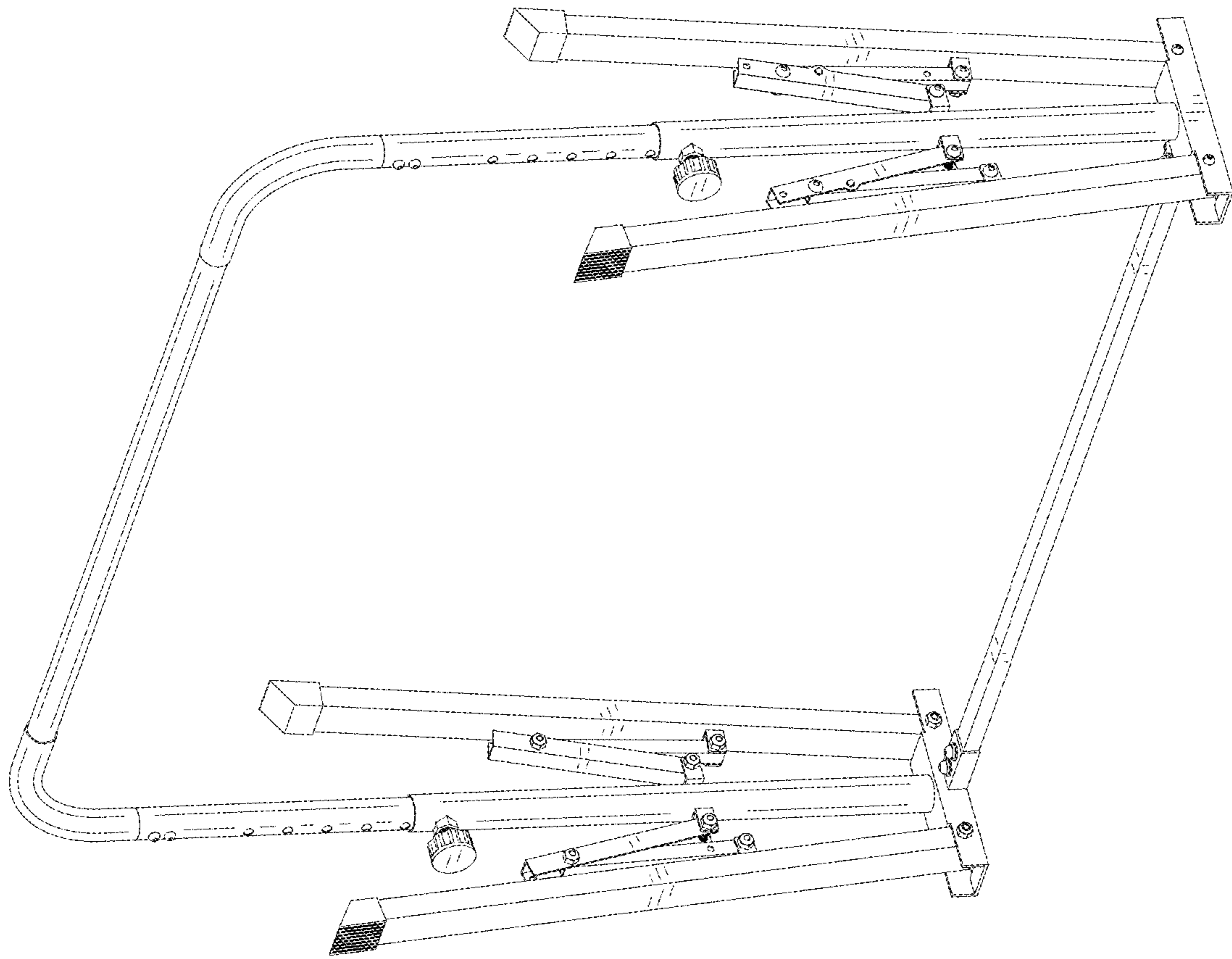


FIG. 13