



US00D971363S

(12) **United States Design Patent** (10) **Patent No.:** **US D971,363 S**  
**Su** (45) **Date of Patent:** **\*\* Nov. 29, 2022**

(54) **SKATEBOARD**

(71) Applicant: **SHENZHEN KEYINGSI TRADING CO., LTD.**, Shenzhen (CN)

(72) Inventor: **Lian Su**, Shenzhen (CN)

(73) Assignee: **SHENZHEN KEYINGSI TRADING CO., LTD.**, Shenzhen (CN)

(\*\*) Term: **15 Years**

(21) Appl. No.: **29/767,163**

(22) Filed: **Jan. 21, 2021**

(51) **LOC (13) Cl.** ..... **21-02**

(52) **U.S. Cl.**  
USPC ..... **D21/765**

(58) **Field of Classification Search**  
USPC ..... D21/421, 423, 760, 763, 765, 771  
CPC ..... A63C 17/01; A63C 17/011; A63C 17/012;  
A63C 17/013; A63C 17/014; A63C 17/015;  
A63C 17/017; A63C 17/018; A63C 17/0093;  
A63C 17/0033; A63C 2203/42; A63C 2203/40;  
A63C 2203/46  
See application file for complete search history.

(56) **References Cited**

**U.S. PATENT DOCUMENTS**

|           |   |   |         |            |       |                       |
|-----------|---|---|---------|------------|-------|-----------------------|
| D243,206  | S | * | 1/1977  | Sherwood   | ..... | D21/765               |
| 4,337,963 | A | * | 7/1982  | Stevenson  | ..... | A63C 17/01<br>280/610 |
| D298,448  | S | * | 11/1988 | Seehaver   | ..... | D21/765               |
| D414,832  | S | * | 10/1999 | Shields    | ..... | D21/760               |
| D682,379  | S | * | 5/2013  | Fox        | ..... | D21/765               |
| D692,079  | S | * | 10/2013 | Mackay     | ..... | D21/765               |
| D703,780  | S | * | 4/2014  | Fox        | ..... | D21/765               |
| D709,154  | S | * | 7/2014  | Brotherson | ..... | D21/765               |
| D722,665  | S | * | 2/2015  | Norman     | ..... | D21/765               |
| D723,642  | S | * | 3/2015  | Fissell    | ..... | D21/765               |
| D728,048  | S | * | 4/2015  | Stover     | ..... | D21/765               |

|              |    |   |         |         |       |                           |
|--------------|----|---|---------|---------|-------|---------------------------|
| 9,675,868    | B2 | * | 6/2017  | Willis  | ..... | A63C 17/012               |
| D824,464     | S  | * | 7/2018  | Garner  | ..... | D21/765                   |
| D936,774     | S  | * | 11/2021 | Dong    | ..... | D21/765                   |
| 2014/0375008 | A1 | * | 12/2014 | Fissell | ..... | A63C 17/015<br>280/87.042 |
| 2017/0007909 | A1 | * | 1/2017  | MacKay  | ..... | B29C 45/0005              |

**OTHER PUBLICATIONS**

Retrospec Quip Mini Cruiser Skateboard. Date First Available: Mar. 2, 2021. Retrieved from internet: <<https://www.amazon.com/Retrospec-Skateboard-Classic-Complete-Bearings/dp/B09HQCCSQR>> [site visited Sep. 19, 2022] (Year: 2021).\*  
Cruiser Skateboard Yamba \_ Decathlon. Oldest Review Date: Apr. 26, 2017. Retrieved from internet: <<https://www.decathlon.com/products/skateboard-cruiser-yamba?variant=1120079183885>> [site visited Sep. 20, 2022] (Year: 2017).\*

\* cited by examiner

*Primary Examiner* — Katherine Glennon  
*Assistant Examiner* — Yuan Yuan

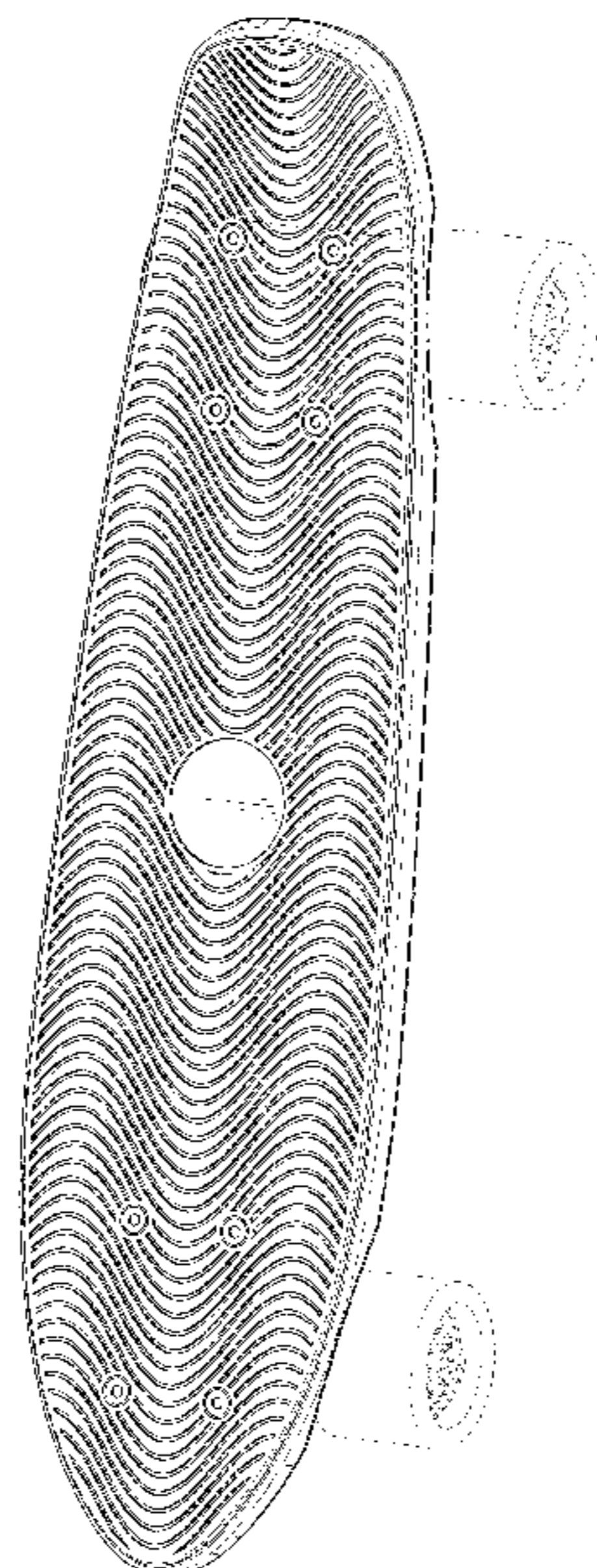
(57) **CLAIM**

The ornamental design for a skateboard, as shown and described.

**DESCRIPTION**

FIG. 1 is a perspective view of a skateboard showing my new design;  
FIG. 2 is another perspective view thereof;  
FIG. 3 is a front elevational view thereof;  
FIG. 4 is a rear elevational view thereof;  
FIG. 5 is a left side elevational view thereof;  
FIG. 6 is a right side elevational view thereof;  
FIG. 7 is a top plan view thereof; and,  
FIG. 8 is a bottom plan view thereof.  
The broken lines in the drawings depict portions of the skateboard that form no part of the claimed design.

**1 Claim, 8 Drawing Sheets**



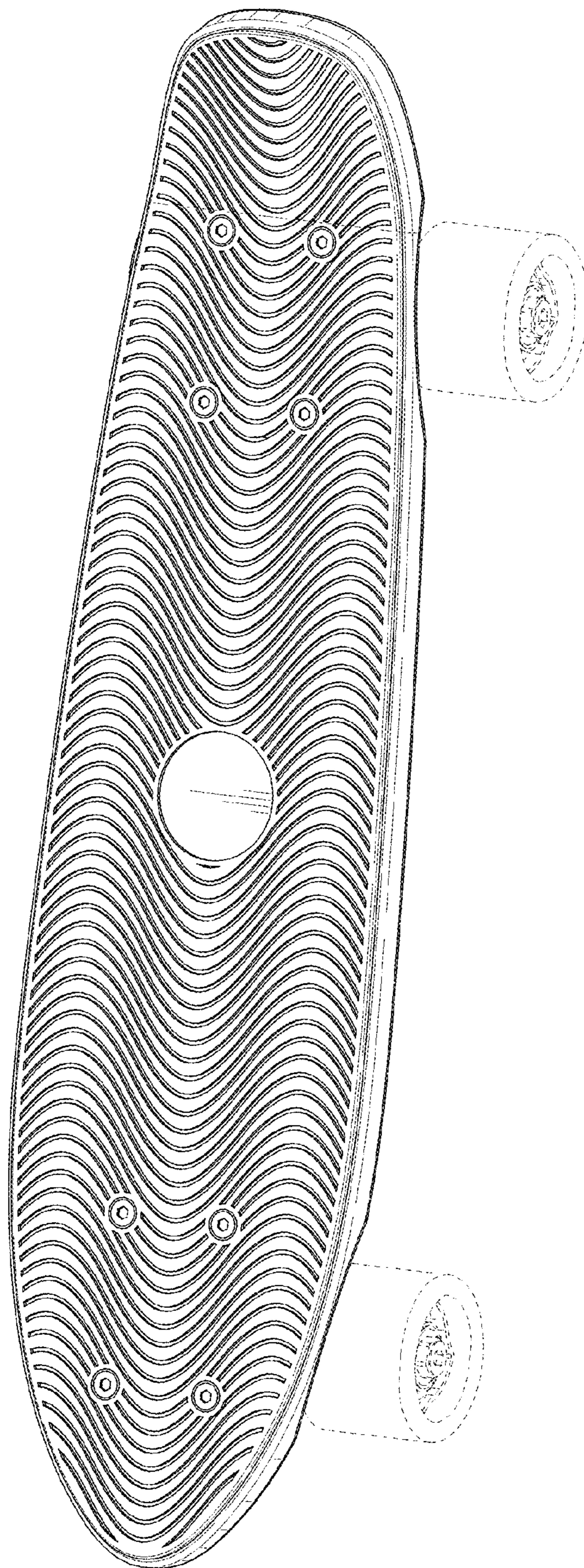


FIG. 1

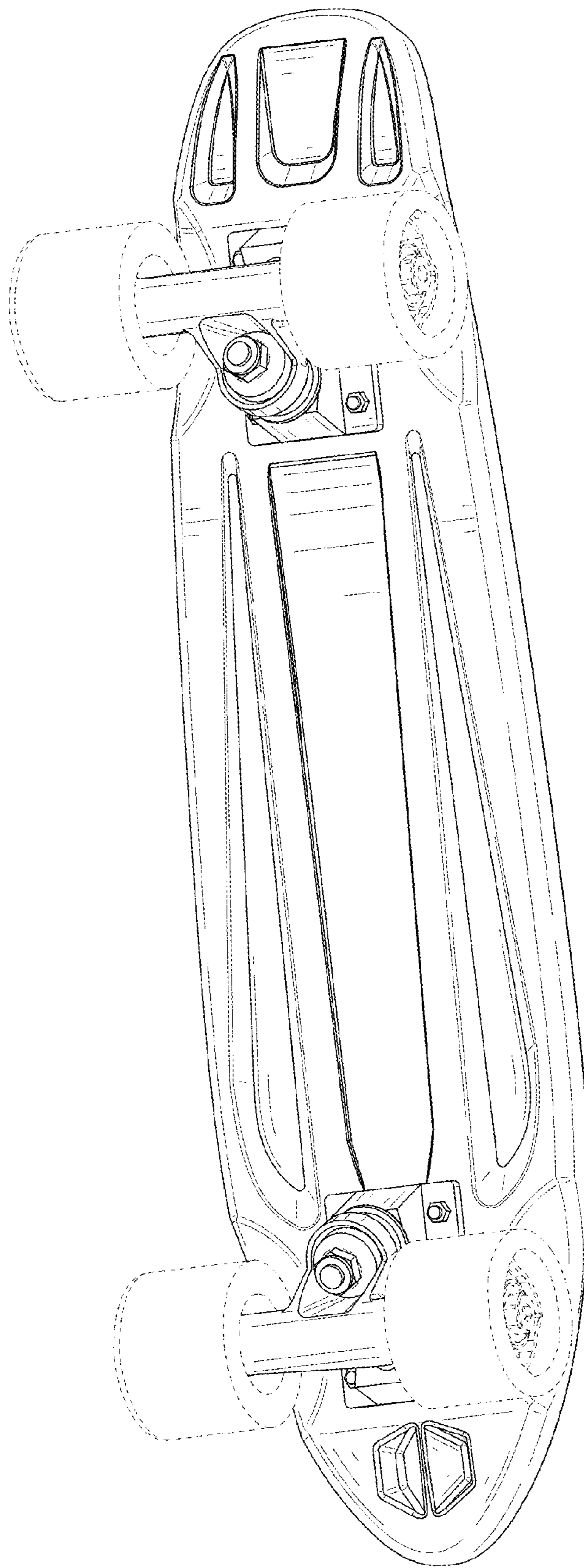


FIG. 2

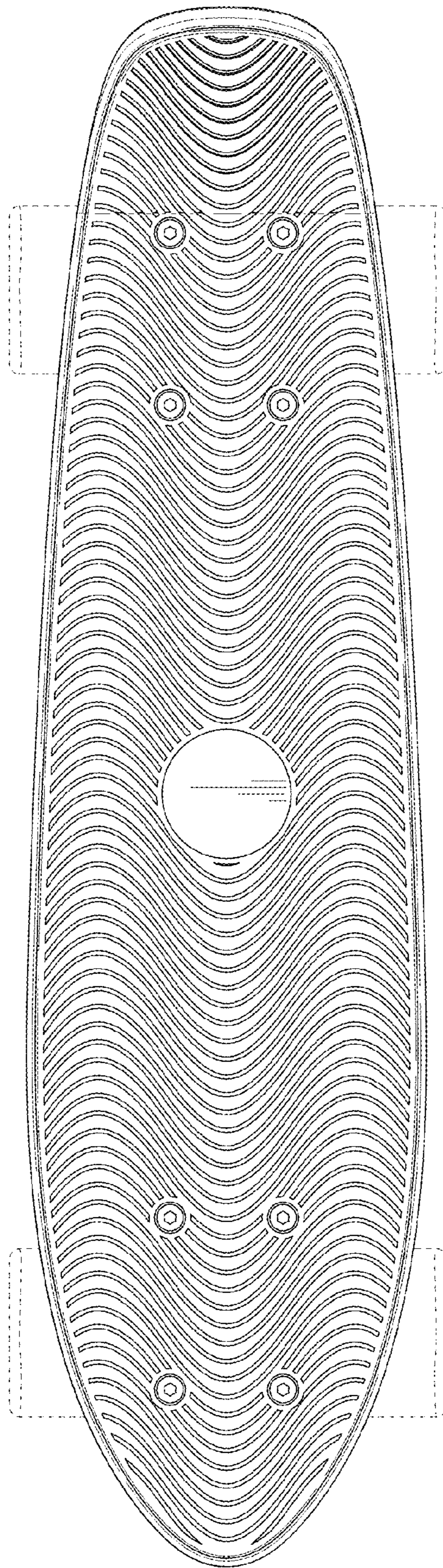


FIG. 3

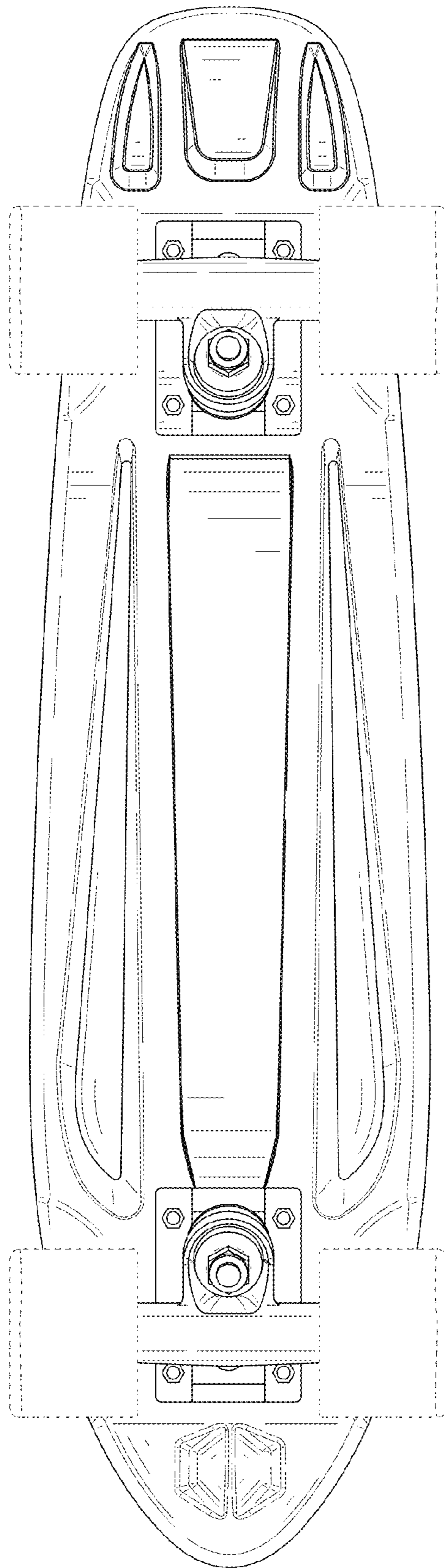


FIG. 4

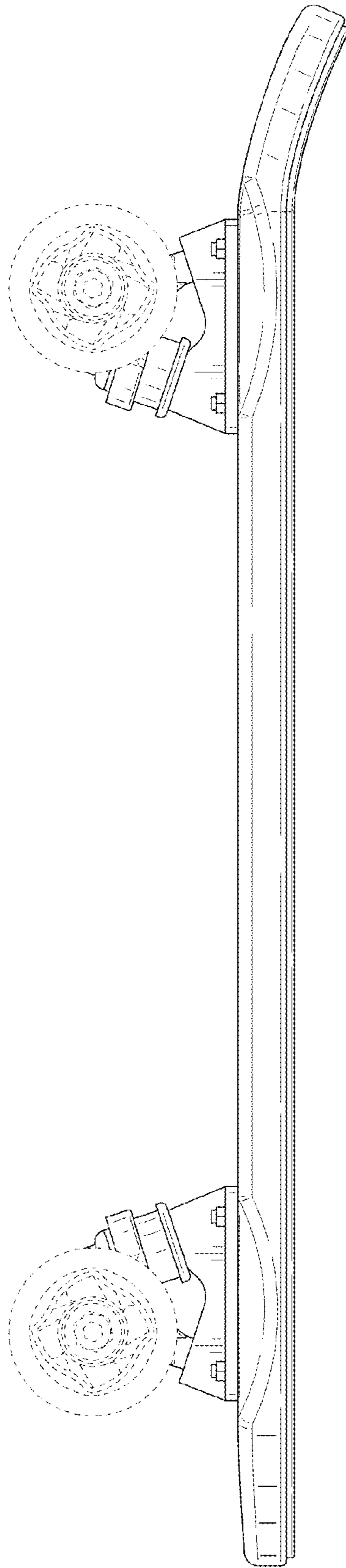


FIG. 5

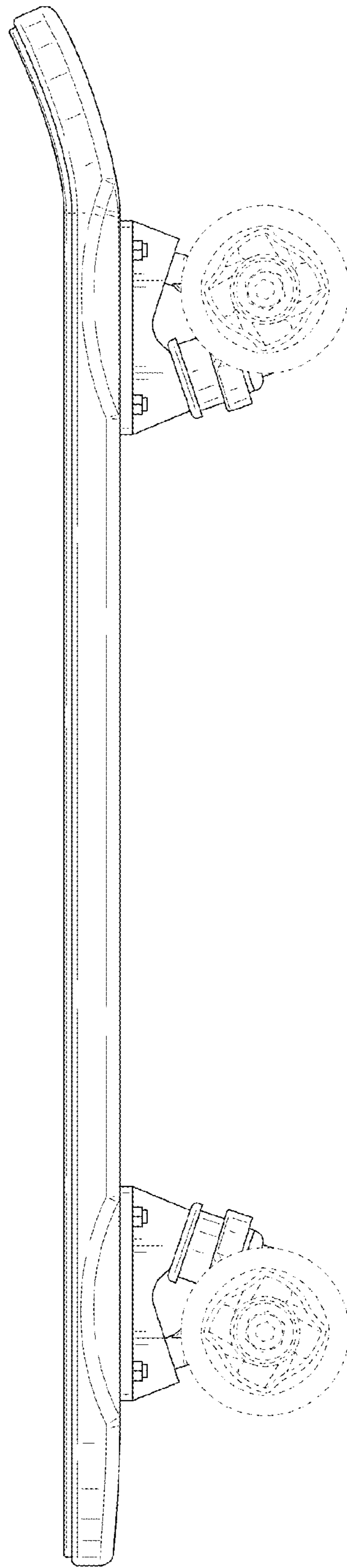


FIG. 6

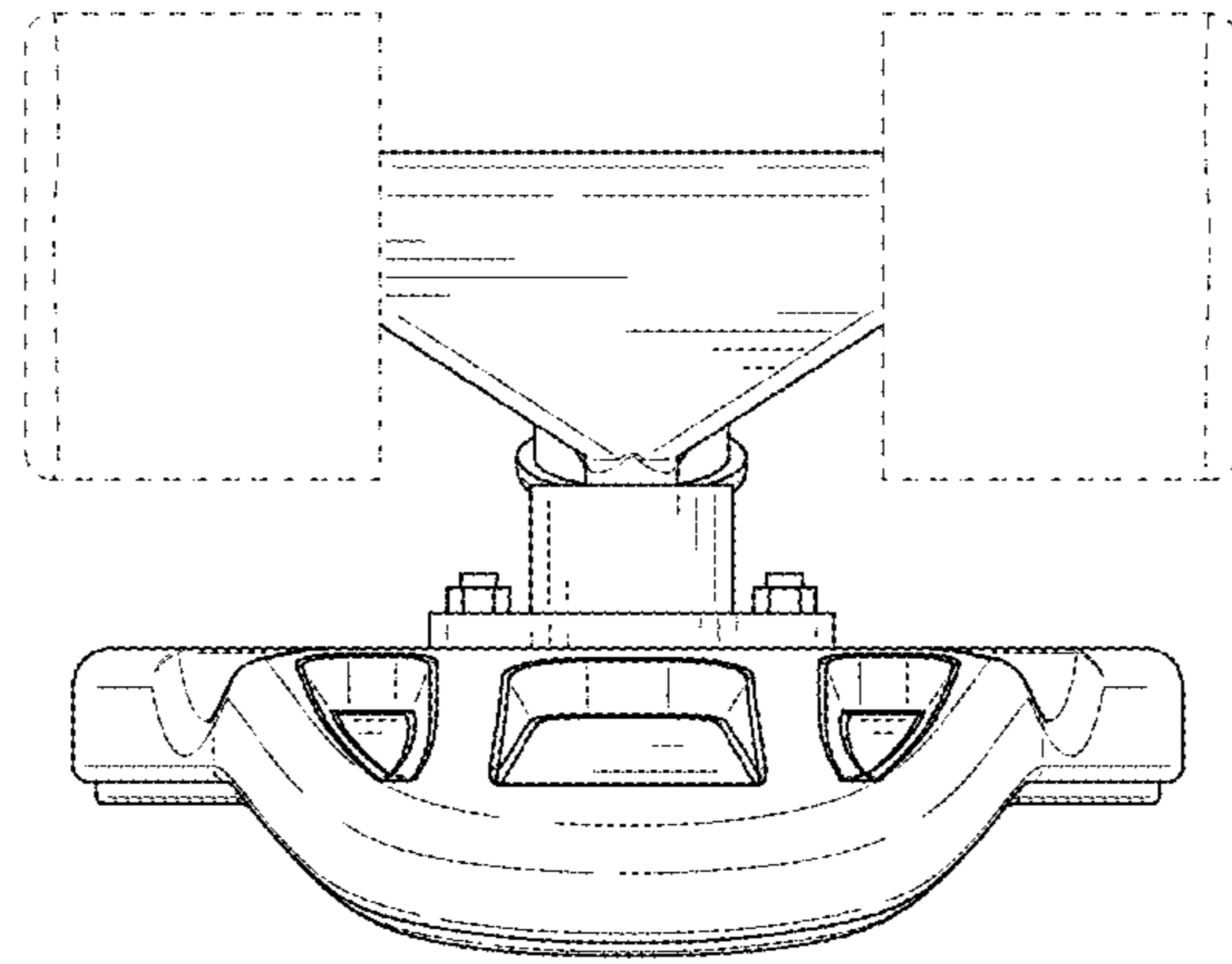


FIG. 7



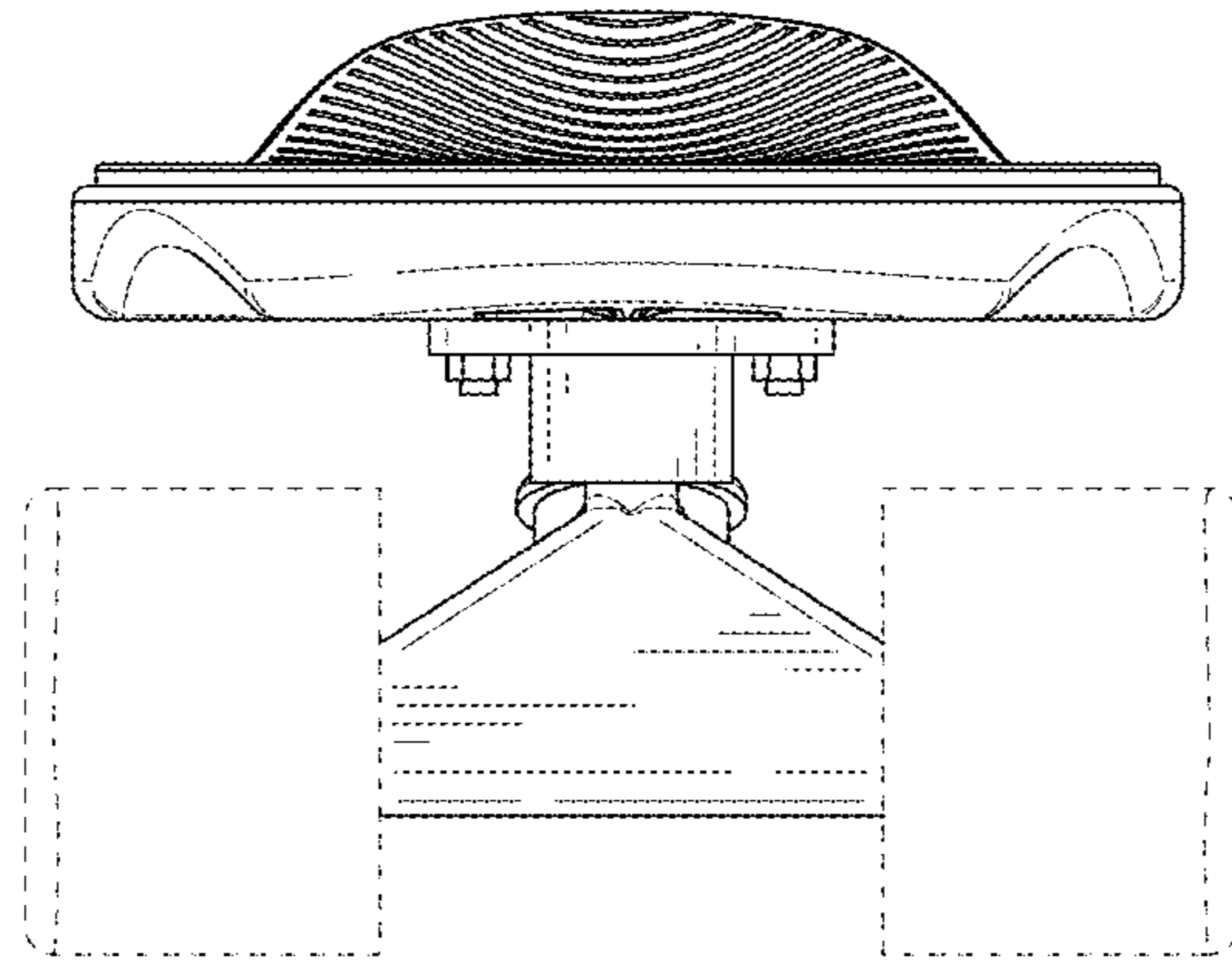


FIG. 8