



US00D971354S

(12) **United States Design Patent** (10) **Patent No.:** **US D971,354 S**  
**Nicolette et al.** (45) **Date of Patent:** **\*\* Nov. 29, 2022**

(54) **GOLF CLUB HEAD**

- (71) Applicant: **PARSONS XTREME GOLF, LLC**,  
Scottsdale, AZ (US)
- (72) Inventors: **Michael R. Nicolette**, Scottsdale, AZ  
(US); **Matthew T. Andrews**, Scottsdale,  
AZ (US)
- (73) Assignee: **PARSONS XTREME GOLF, LLC**,  
Scottsdale, AZ (US)
- (\*\*) Term: **15 Years**
- (21) Appl. No.: **29/836,839**
- (22) Filed: **Apr. 29, 2022**

**Related U.S. Application Data**

- (62) Division of application No. 29/747,433, filed on Aug.  
21, 2020, now Pat. No. Des. 954,874.
- (51) **LOC (13) Cl.** ..... **21-02**
- (52) **U.S. Cl.**  
USPC ..... **D21/736**
- (58) **Field of Classification Search**  
USPC ..... D21/736-746, 759

(Continued)

(56) **References Cited**

**U.S. PATENT DOCUMENTS**

- 723,534 A 3/1903 Knight
- 922,444 A 5/1909 Youds

(Continued)

**FOREIGN PATENT DOCUMENTS**

- JP 2004223184 A 8/2004
- JP 2005160691 A 6/2005

(Continued)

**OTHER PUBLICATIONS**

Pxg putters google search; google.com; Aug. 30, 2022.\*

(Continued)

*Primary Examiner* — Mitchell I. Siegel

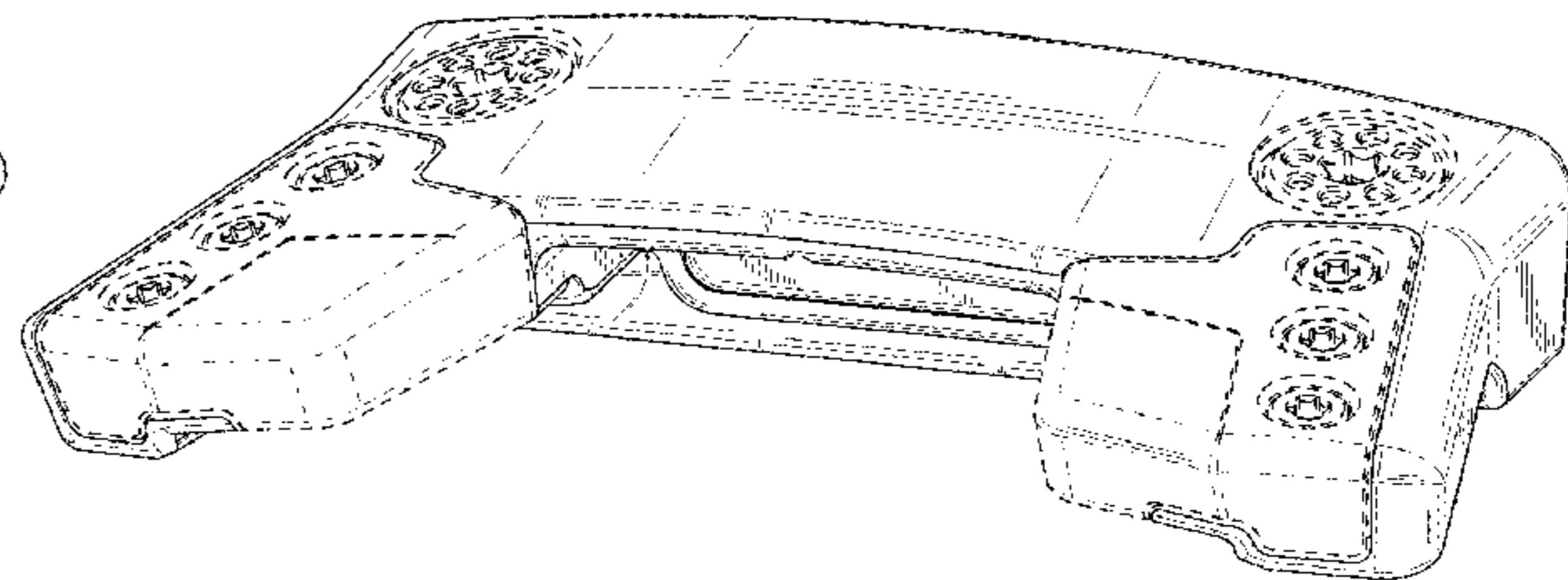
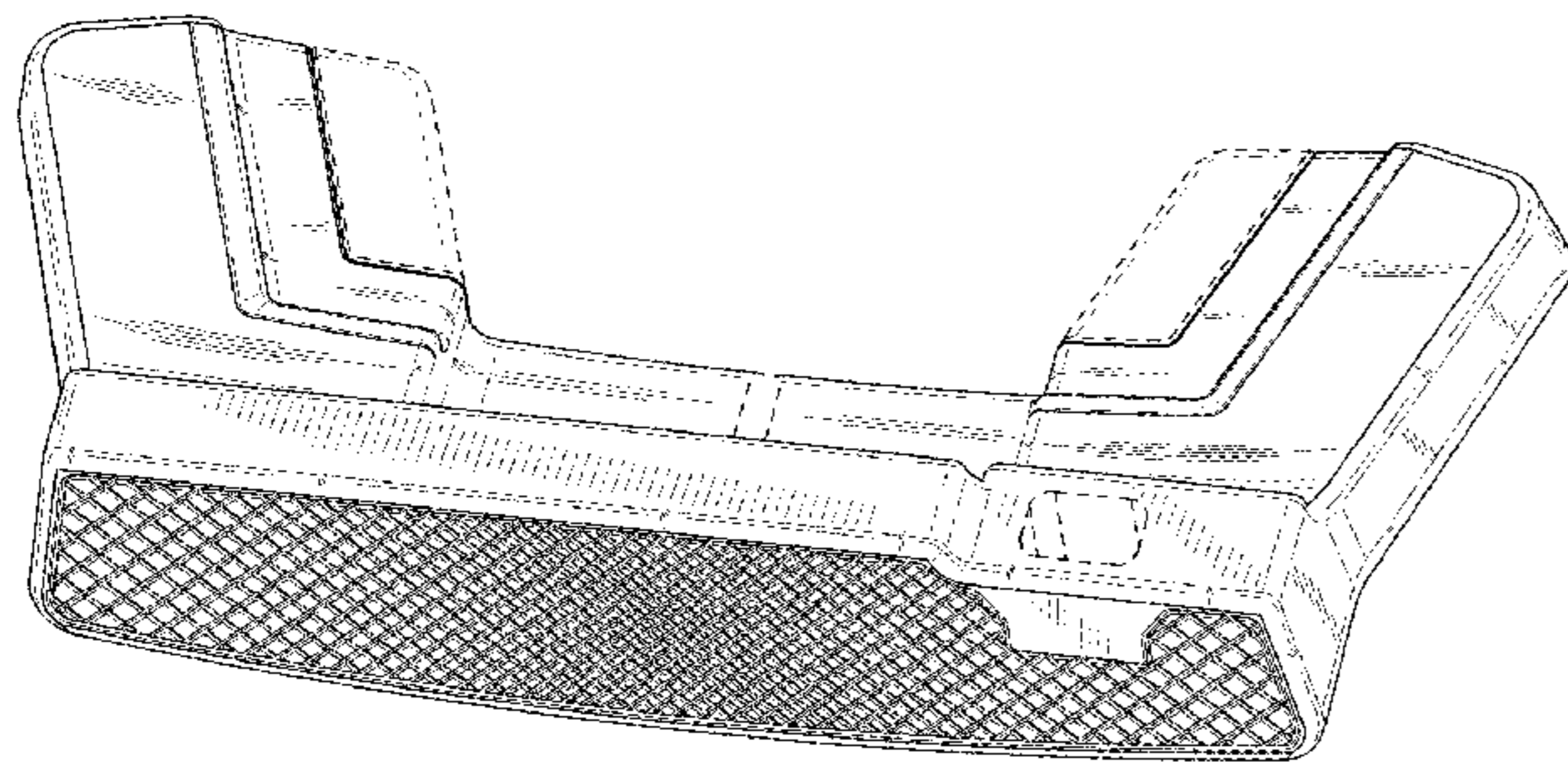
(57) **CLAIM**

The ornamental design for a golf club head, as shown and described.

**DESCRIPTION**

FIG. 1 is a top perspective view of a golf club head according to a first embodiment;  
 FIG. 2 is a bottom perspective view of the golf club head of FIG. 1;  
 FIG. 3 is a front elevational view of the golf club head of FIG. 1;  
 FIG. 4 is a rear elevational view of the golf club head of FIG. 1;  
 FIG. 5 is a top view of the golf club head of FIG. 1;  
 FIG. 6 is a bottom view of the golf club head of FIG. 1;  
 FIG. 7 is a left side view of the golf club head of FIG. 1;  
 FIG. 8 is a right side view of the golf club head of FIG. 1;  
 FIG. 9 is a top perspective view of a golf club head according to a second embodiment;  
 FIG. 10 is a bottom perspective view of the golf club head of FIG. 9;  
 FIG. 11 is a front elevational view of the golf club head of FIG. 9;  
 FIG. 12 is a rear elevational view of the golf club head of FIG. 9;  
 FIG. 13 is a top view of the golf club head of FIG. 9;  
 FIG. 14 is a bottom view of the golf club head of FIG. 9;  
 FIG. 15 is a left side view of the golf club head of FIG. 9; and,  
 FIG. 16 is a right side view of the golf club head of FIG. 9.  
 The broken lines shown on the drawings form no part of the claimed design.

**1 Claim, 8 Drawing Sheets**



(58) **Field of Classification Search**  
 CPC ..... A63B 53/00; A63B 53/04; A63B 53/007;  
 A63B 53/065; A63B 53/0487; A63B  
 60/00; A63B 60/46  
 See application file for complete search history.

(56) **References Cited**

U.S. PATENT DOCUMENTS

1,094,599 A 4/1914 Samson  
 D57,980 S 5/1921 Kraeuter  
 D63,284 S 11/1923 Challis  
 RE19,178 E 5/1934 Spiker  
 4,043,562 A 8/1977 Shillington  
 D248,783 S 8/1978 Long  
 4,340,230 A 7/1982 Churchward  
 D281,092 S 10/1985 Mills  
 4,754,977 A 7/1988 Sahm  
 4,869,507 A 9/1989 Sahm  
 4,964,641 A 10/1990 Miesch et al.  
 D313,451 S 1/1991 Shearer  
 D335,317 S 5/1993 Shearer  
 D335,692 S 5/1993 Antonious  
 D336,757 S 6/1993 Antonious  
 5,275,412 A 1/1994 Innes  
 D350,177 S \* 8/1994 Ramirez ..... D21/745  
 D350,582 S 9/1994 Miansian et al.  
 5,390,919 A 2/1995 Stubbs et al.  
 D356,131 S 3/1995 Trimble  
 D359,330 S \* 6/1995 Channell ..... D21/741  
 D360,444 S 7/1995 Takahashi et al.  
 5,429,366 A 7/1995 McCabe  
 D363,101 S 10/1995 Sturm  
 D364,665 S 11/1995 Goodrich  
 D365,864 S 1/1996 Sturm  
 5,489,097 A 2/1996 Simmons  
 D368,751 S 4/1996 Rife  
 D369,393 S 4/1996 Takahashi et al.  
 5,571,053 A 11/1996 Lane  
 D378,688 S 4/1997 Cameron  
 D380,514 S 7/1997 Markley  
 D381,382 S \* 7/1997 Fenton, Jr. .... D21/743  
 D385,609 S 10/1997 Cameron  
 5,683,307 A 11/1997 Rife  
 D388,143 S 12/1997 Huan-Chiang  
 D389,207 S 1/1998 Cameron  
 D398,685 S 9/1998 Masuda  
 5,807,190 A 9/1998 Krumme et al.  
 D399,290 S 10/1998 Sizemore, Jr.  
 D399,911 S 10/1998 Nicolette et al.  
 5,839,974 A 11/1998 McAllister  
 D405,836 S 2/1999 Nicolette et al.  
 D409,701 S 5/1999 Ashcraft et al.  
 D411,275 S 6/1999 Bottema et al.  
 5,924,938 A 7/1999 Hines  
 D415,809 S 10/1999 Bottema et al.  
 D416,062 S 11/1999 Solheim et al.  
 D416,969 S 11/1999 Solheim et al.  
 D416,970 S 11/1999 Solheim et al.  
 6,007,434 A 12/1999 Baker et al.  
 D421,473 S 3/2000 Solheim et al.  
 D422,655 S 4/2000 Hicks  
 6,050,903 A 4/2000 Lake  
 D426,276 S 6/2000 Besnard et al.  
 6,089,993 A 7/2000 Woodward et al.  
 D429,302 S 8/2000 Antonious  
 6,110,057 A 8/2000 McKinnon  
 D430,914 S 9/2000 Antonious  
 D431,853 S 10/2000 Antonious  
 D431,854 S 10/2000 Cameron  
 D432,192 S 10/2000 Hicks  
 D436,151 S 1/2001 Nicolette et al.  
 D437,374 S 2/2001 Cameron  
 D441,820 S 5/2001 Nicolette et al.  
 D443,668 S 6/2001 Nicolette et al.  
 D443,905 S 6/2001 Nicolette et al.  
 D444,833 S 7/2001 Wells et al.

D444,835 S 7/2001 Wahl et al.  
 6,257,994 B1 7/2001 Antonious  
 6,264,571 B1 7/2001 Lekavich  
 D449,664 S 10/2001 Beebe et al.  
 D449,865 S 10/2001 Fife, Jr. et al.  
 D450,799 S 11/2001 Nicolette et al.  
 D451,973 S 12/2001 Wells et al.  
 6,348,014 B1 2/2002 Chiu  
 6,354,959 B1 3/2002 Nicolette et al.  
 6,394,910 B1 5/2002 McCarthy  
 D472,949 S 4/2003 Serrano  
 D474,821 S 5/2003 Wells et al.  
 D474,949 S 5/2003 Schaffeld et al.  
 D482,087 S 11/2003 Burrows  
 6,652,390 B2 \* 11/2003 Bradford ..... A63B 53/0487  
 473/340  
 D483,086 S 12/2003 Schweigert et al.  
 D486,539 S 2/2004 Burrows  
 D486,872 S 2/2004 Schweigert et al.  
 D488,200 S 4/2004 Olsavsky et al.  
 D490,487 S 5/2004 Burrows  
 D498,276 S 11/2004 Schweigert et al.  
 D500,823 S 1/2005 Aldrich  
 6,902,496 B2 6/2005 Solheim et al.  
 6,902,498 B2 6/2005 Sullivan et al.  
 D511,801 S 11/2005 Garcia  
 D512,114 S 11/2005 Garcia  
 D512,116 S 11/2005 Mirafior et al.  
 6,988,955 B2 1/2006 Stoakes  
 6,988,956 B2 1/2006 Cover et al.  
 D520,088 S 5/2006 Parr  
 D531,242 S 10/2006 Adams  
 7,125,341 B1 10/2006 D'Eath  
 D532,067 S 11/2006 Soracco et al.  
 7,153,220 B2 12/2006 Lo  
 D534,595 S 1/2007 Hasebe  
 7,156,752 B1 1/2007 Bennett  
 D536,401 S 2/2007 Kawami  
 D536,403 S 2/2007 Kawami  
 D537,898 S 3/2007 Kuan et al.  
 D538,371 S 3/2007 Kawami  
 7,204,765 B2 4/2007 Cover et al.  
 D542,869 S 5/2007 Adams  
 D543,598 S 5/2007 Kuan et al.  
 D543,601 S 5/2007 Kawami  
 D555,219 S 11/2007 Lin  
 D556,277 S 11/2007 Broom  
 7,309,297 B1 12/2007 Solari  
 D561,854 S 2/2008 Morris  
 7,331,876 B2 2/2008 Klein  
 D564,607 S \* 3/2008 Oldknow ..... D21/736  
 7,351,162 B2 4/2008 Soracco et al.  
 D568,954 S \* 5/2008 Oldknow ..... D21/759  
 D569,461 S 5/2008 Morris  
 D569,930 S 5/2008 Nehrbas  
 D573,673 S \* 7/2008 Noyes ..... D21/721  
 7,396,289 B2 7/2008 Soracco et al.  
 D577,085 S 9/2008 Nicolette et al.  
 D577,086 S 9/2008 Nicolette et al.  
 D579,506 S 10/2008 Nicolette et al.  
 D579,995 S 11/2008 Nicolette et al.  
 D582,497 S 12/2008 Rollinson  
 7,473,189 B2 1/2009 Schweigert et al.  
 7,491,131 B2 2/2009 Vinton  
 D594,921 S 6/2009 Bettinardi  
 D595,793 S 7/2009 Rollinson  
 D599,425 S 9/2009 Laub  
 D599,867 S 9/2009 Teramoto  
 D600,763 S 9/2009 Cameron  
 D601,214 S 9/2009 Serrano et al.  
 D607,951 S 1/2010 Teramoto  
 7,744,485 B2 6/2010 Jones et al.  
 D620,993 S 8/2010 Laub  
 D621,461 S 8/2010 Serrano et al.  
 D623,709 S 9/2010 Serrano et al.  
 D631,925 S 2/2011 Broom  
 7,887,432 B2 2/2011 Jones et al.  
 D633,964 S 3/2011 Teramoto  
 7,909,707 B2 3/2011 Klein

(56)

References Cited

U.S. PATENT DOCUMENTS

7,918,745 B2	4/2011	Morris et al.	
7,927,226 B1	4/2011	Twitty	
D638,891 S	5/2011	Nicolette et al.	
7,942,758 B2	5/2011	Nakamura	
D639,369 S	6/2011	Miyamichi	
D642,643 S	8/2011	Nicolette et al.	
D643,485 S	8/2011	Nicolette et al.	
D643,892 S	8/2011	McGrorty	
D645,104 S	9/2011	Nicolette et al.	
8,096,039 B2	1/2012	Soracco et al.	
D653,718 S	2/2012	Stokke et al.	
8,109,841 B2	2/2012	Miyamichi	
D655,361 S	3/2012	Ramsauer	
D661,753 S	6/2012	Cameron et al.	
D666,260 S	8/2012	Cynn	
D672,418 S	12/2012	Rollinson	
8,371,958 B2	2/2013	Treadwell	
8,376,878 B2	2/2013	Bennett et al.	
D688,339 S	8/2013	Hilton et al.	
D688,341 S	8/2013	Rollinson	
D691,226 S *	10/2013	Hilton	D21/746
8,608,590 B2	12/2013	Hackel et al.	
D699,308 S	2/2014	Rollinson	
8,696,492 B1	4/2014	Hocknell et al.	
D704,782 S	5/2014	Rollinson	
8,721,472 B2	5/2014	Kuan et al.	
8,790,193 B2	7/2014	Serrano et al.	
D711,483 S	8/2014	Wong	
D715,388 S	10/2014	Serrano et al.	
D722,350 S	2/2015	Schweigert	
D722,351 S	2/2015	Parsons et al.	
D722,352 S	2/2015	Nicolette et al.	
D723,120 S	2/2015	Nicolette	
D724,164 S	3/2015	Schweigert et al.	
D725,208 S	3/2015	Schweigert	
D726,265 S	4/2015	Nicolette	
D726,846 S	4/2015	Schweigert	
D728,715 S *	5/2015	Cameron	D21/736
D730,462 S	5/2015	Becktor et al.	
D730,464 S *	5/2015	Cameron	D21/743
D732,122 S	6/2015	Becktor	
D732,618 S	6/2015	Becktor et al.	
D733,234 S	6/2015	Nicolette	
D735,283 S *	7/2015	Solheim	D21/743
9,108,088 B2	8/2015	Serrano et al.	
D738,447 S	9/2015	Schweigert	
D738,449 S	9/2015	Schweigert	
D739,487 S	9/2015	Schweigert	
D741,426 S	10/2015	Schweigert	
D746,926 S	1/2016	Parsons et al.	
D748,213 S	1/2016	Parsons et al.	
D748,215 S	1/2016	Parsons et al.	
9,233,283 B2	1/2016	Schweigert	
9,265,996 B1	2/2016	Abbott et al.	
D752,697 S	3/2016	Claveran	
D753,252 S	4/2016	Schweigert	
9,440,124 B2	9/2016	Parsons et al.	
9,498,685 B2	11/2016	Abbott et al.	
9,566,484 B1	2/2017	Abbott et al.	
D791,891 S	7/2017	Davis	
D794,146 S	8/2017	Davis	
D798,975 S	10/2017	Becktor	
D798,976 S	10/2017	Becktor	
D798,977 S	10/2017	Becktor	
D798,978 S	10/2017	Becktor	
D798,979 S	10/2017	Becktor	
D798,980 S	10/2017	Becktor	
D798,981 S	10/2017	Becktor et al.	
D799,617 S *	10/2017	Becktor	D21/742
D799,619 S	10/2017	Becktor et al.	
D802,073 S	11/2017	Toulon	
D807,453 S *	1/2018	Serrano	D21/743
D812,163 S	3/2018	Kroloff	
D812,164 S *	3/2018	Parsons	D21/742
D815,222 S *	4/2018	Serrano	D21/743
D815,703 S *	4/2018	Schweigert	D21/736
D820,924 S *	6/2018	Cameron	D21/736
D820,925 S *	6/2018	Cameron	D21/736
9,987,530 B2	6/2018	Jertson et al.	
D832,381 S *	10/2018	Serrano	D21/743
10,173,105 B2	1/2019	Myers et al.	
D839,977 S	2/2019	Rollinson et al.	
D844,722 S *	4/2019	Wang	D21/736
D867,495 S *	11/2019	Cameron	D21/736
D867,498 S *	11/2019	Broom	D21/743
10,493,331 B2 *	12/2019	Kroloff	A63B 60/42
D872,816 S *	1/2020	Parsons	D21/736
D879,895 S *	3/2020	Schweigert	D21/759
D892,954 S *	8/2020	Clarke	D21/736
D893,645 S *	8/2020	Serrano	D21/743
D893,655 S *	8/2020	Schweigert	D21/759
10,737,153 B2 *	8/2020	Schweigert	A63B 53/0487
D895,748 S *	9/2020	Rollinson	D21/743
D906,453 S *	12/2020	Agrella	D21/743
D909,504 S *	2/2021	Schweigert	D21/736
D909,505 S *	2/2021	Schweigert	D21/736
D909,506 S *	2/2021	Schweigert	D21/736
D910,789 S *	2/2021	Schweigert	D21/736
D910,790 S *	2/2021	Schweigert	D21/736
D913,388 S *	3/2021	Nicolette	D21/736
D913,389 S *	3/2021	Schweigert	D21/736
10,981,038 B2 *	4/2021	Schweigert	A63B 53/0487
D919,722 S *	5/2021	Parsons	D21/736
D921,140 S *	6/2021	Serrano	D21/736
D923,729 S *	6/2021	Nicolette	D21/736
D924,345 S *	7/2021	Nicolette	D21/736
D924,346 S *	7/2021	Nicolette	D21/736
D925,673 S *	7/2021	Parsons	D21/736
D926,898 S *	8/2021	Schweigert	D21/736
D927,619 S *	8/2021	Andrews	D21/736
D927,622 S *	8/2021	Schweigert	D21/759
D928,259 S *	8/2021	Andrews	D21/736
D928,263 S *	8/2021	Schweigert	D21/759
11,090,535 B1 *	8/2021	Schweigert	A63B 53/065
D930,095 S *	9/2021	Wang	D21/743
D933,766 S *	10/2021	Parsons	D21/736
11,141,635 B2 *	10/2021	Schweigert	A63B 60/02
D936,770 S *	11/2021	Cameron	D21/744
D941,411 S *	1/2022	Wang	D21/743
D945,544 S *	3/2022	Kroloff	D21/736
D949,270 S *	4/2022	Andrews	D21/736
D952,082 S *	5/2022	Andrews	D21/736
D954,874 S *	6/2022	Nicolette	D21/736
2004/0138003 A1	7/2004	Grace	
2004/0180730 A1	9/2004	Franklin et al.	
2006/0052178 A1	3/2006	Franklin et al.	
2006/0094522 A1	5/2006	Tang et al.	
2006/0223649 A1	10/2006	Rife	
2007/0129163 A1	6/2007	Solari	
2007/0135229 A1	6/2007	Lo et al.	
2007/0142122 A1	6/2007	Bonneau	
2007/0207875 A1	9/2007	Kuan et al.	
2007/0238548 A1	10/2007	Johnson	
2008/0139333 A1	6/2008	Klein	
2008/0146372 A1	6/2008	John	
2008/0176672 A1	7/2008	Roach et al.	
2009/0029800 A1	1/2009	Jones et al.	
2010/0255922 A1	10/2010	Lueders	
2011/0165959 A1	7/2011	Klein	
2013/0165256 A1	6/2013	Stevenson	
2013/0210537 A1	8/2013	Ainscough et al.	
2015/0057100 A1	2/2015	Serrano et al.	
2015/0258390 A1	9/2015	DeFrancesco, Jr.	
2015/0306477 A1	10/2015	Parsons et al.	
2016/0016050 A1	1/2016	Rife	
2016/0346649 A1	12/2016	Jertson et al.	
2018/0001163 A1	1/2018	Becktor et al.	
2018/0311545 A1 *	11/2018	Lambeth	A63B 53/0487
2019/0175995 A1 *	6/2019	Kroloff	A63B 53/0433

(56)

**References Cited**

U.S. PATENT DOCUMENTS

2019/0175996 A1\* 6/2019 Kroloff ..... A63B 53/0487  
2020/0061421 A1\* 2/2020 Kroloff ..... A63B 53/04

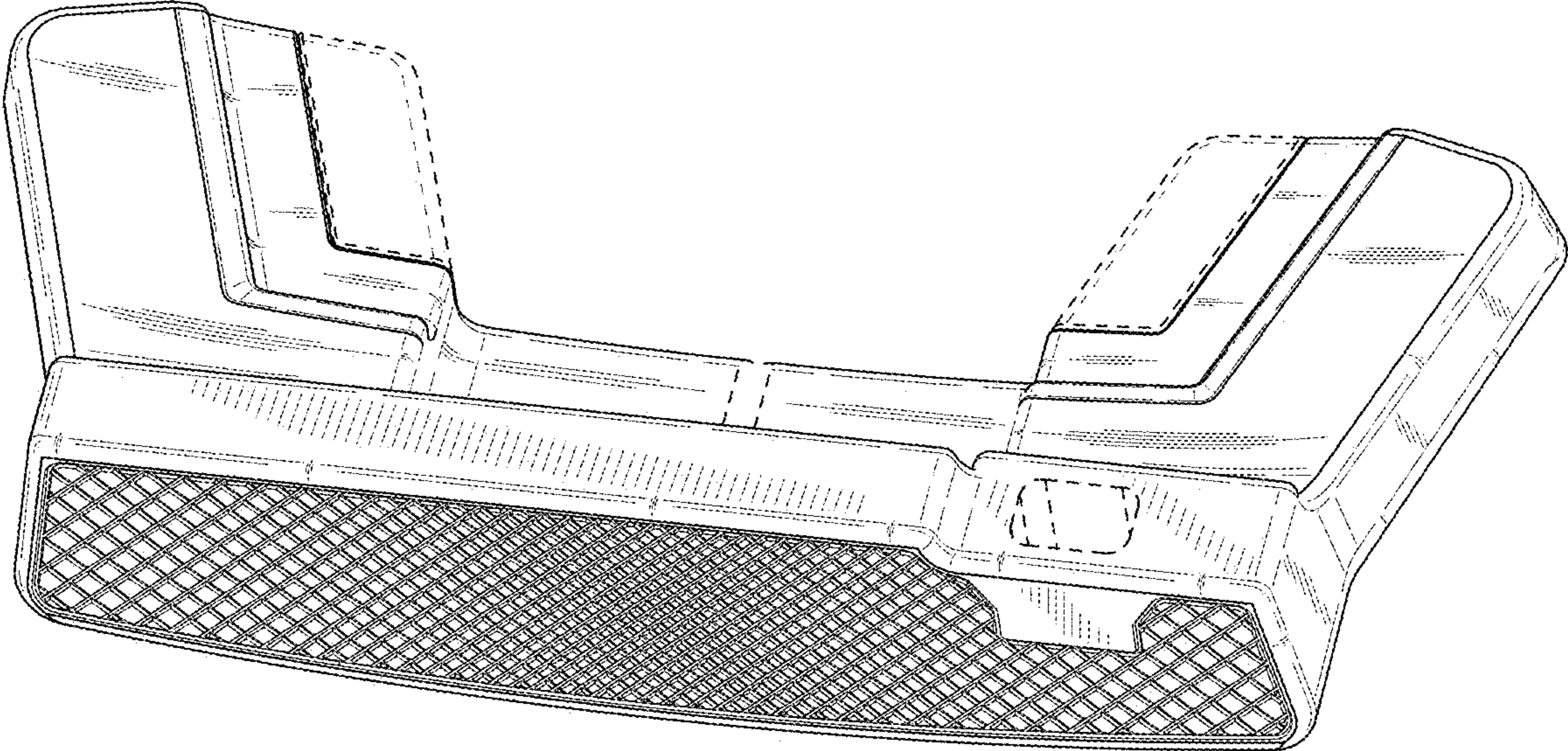
FOREIGN PATENT DOCUMENTS

KR 200377377 Y1 3/2005  
KR 200403045 Y1 12/2005  
KR 20100065481 A 6/2010  
KR 101773069 B1 8/2017

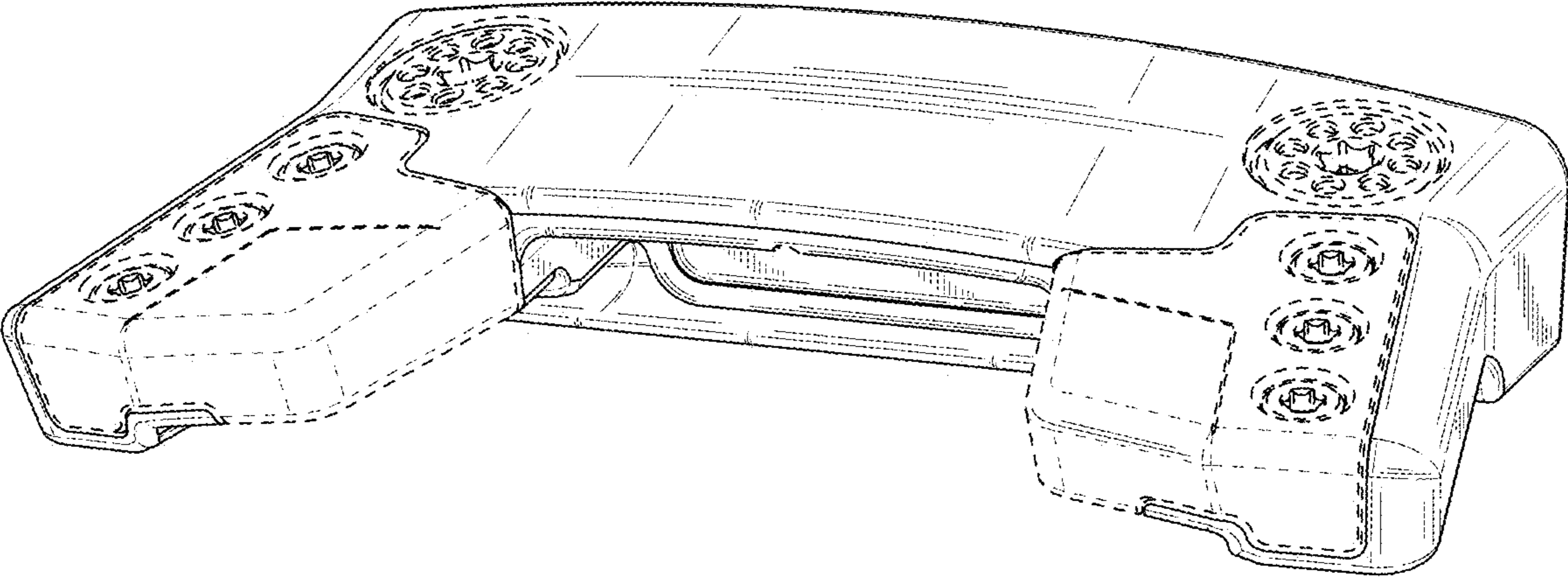
OTHER PUBLICATIONS

Pxg putters; pxg.com; Aug. 30, 2022.\*  
Plugged in Golf (2015 Bettinardi Putters Review) [online]. Mar. 3, 2015 [retrieve Nov. 25, 2019].  
TourSpecGolf (Gold's Factory Multi Weighted Custom Putter), Published Nov. 20, 2010 [<http://blog.tourspecgolf.com/golds-factory-multi-weighted-custom-putter/>], Retrieved May 17, 2020.  
U.S. Appl. No. 29/523,587, Schweigert, "Golf Club Head," filed Apr. 10, 2015.

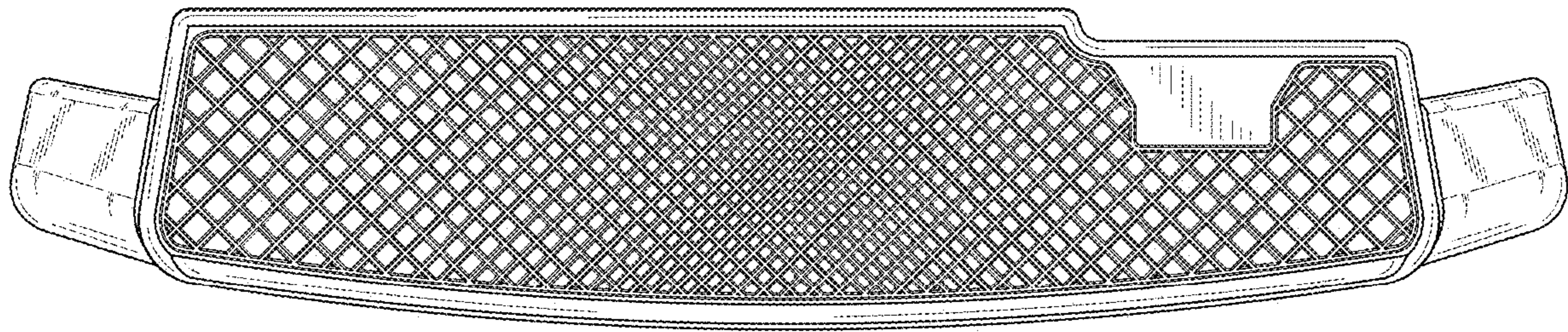
\* cited by examiner



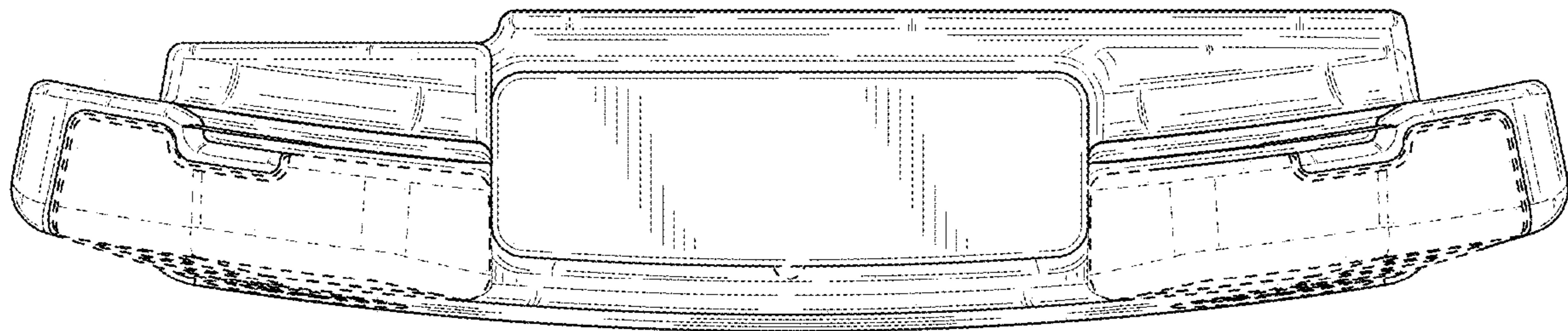
**FIG. 1**



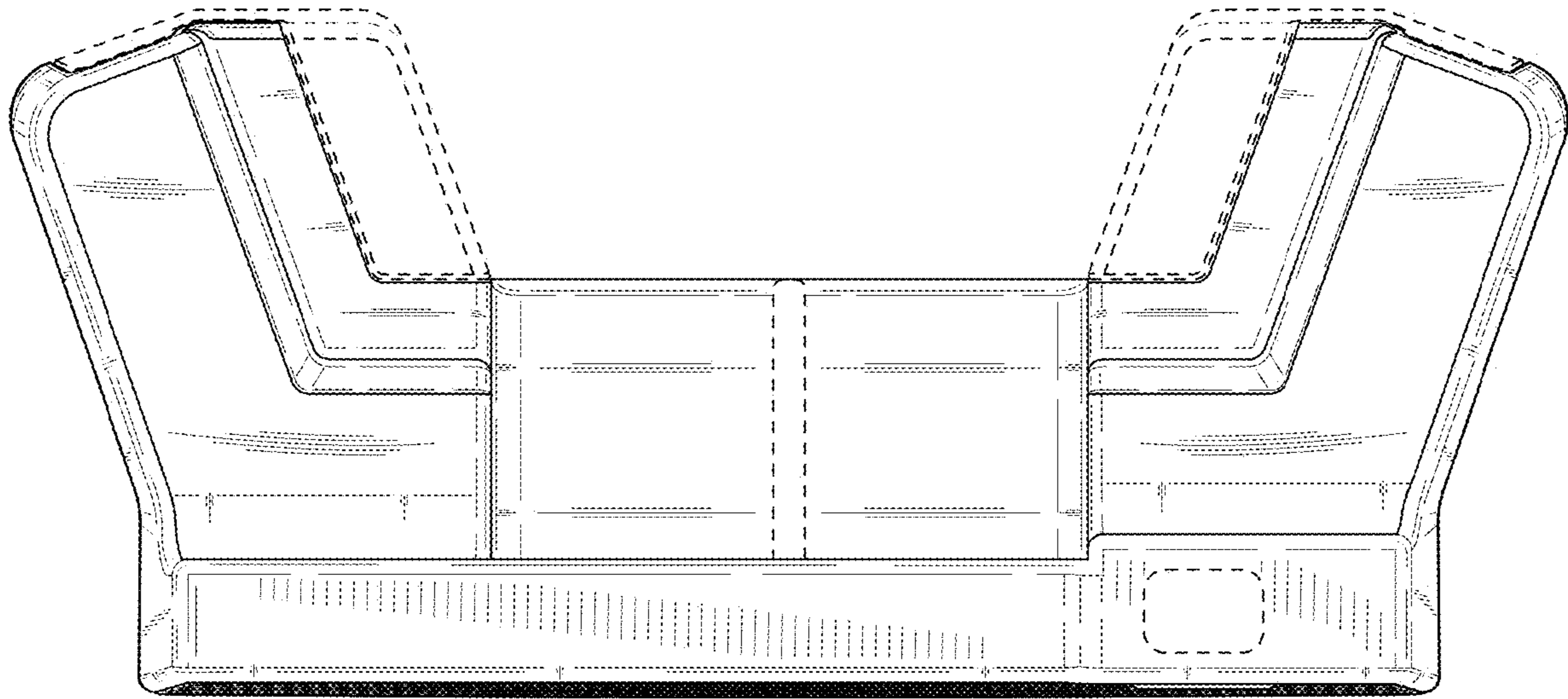
**FIG. 2**



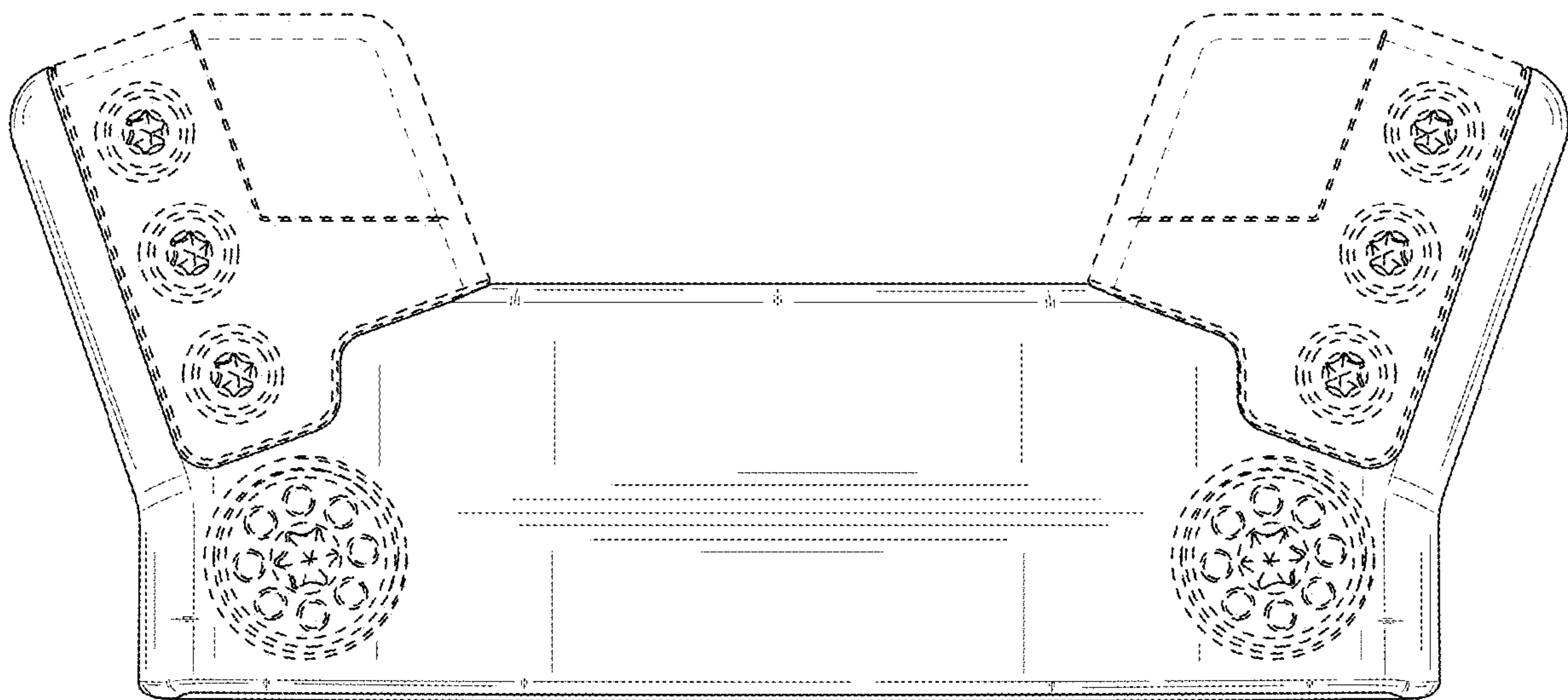
**FIG. 3**



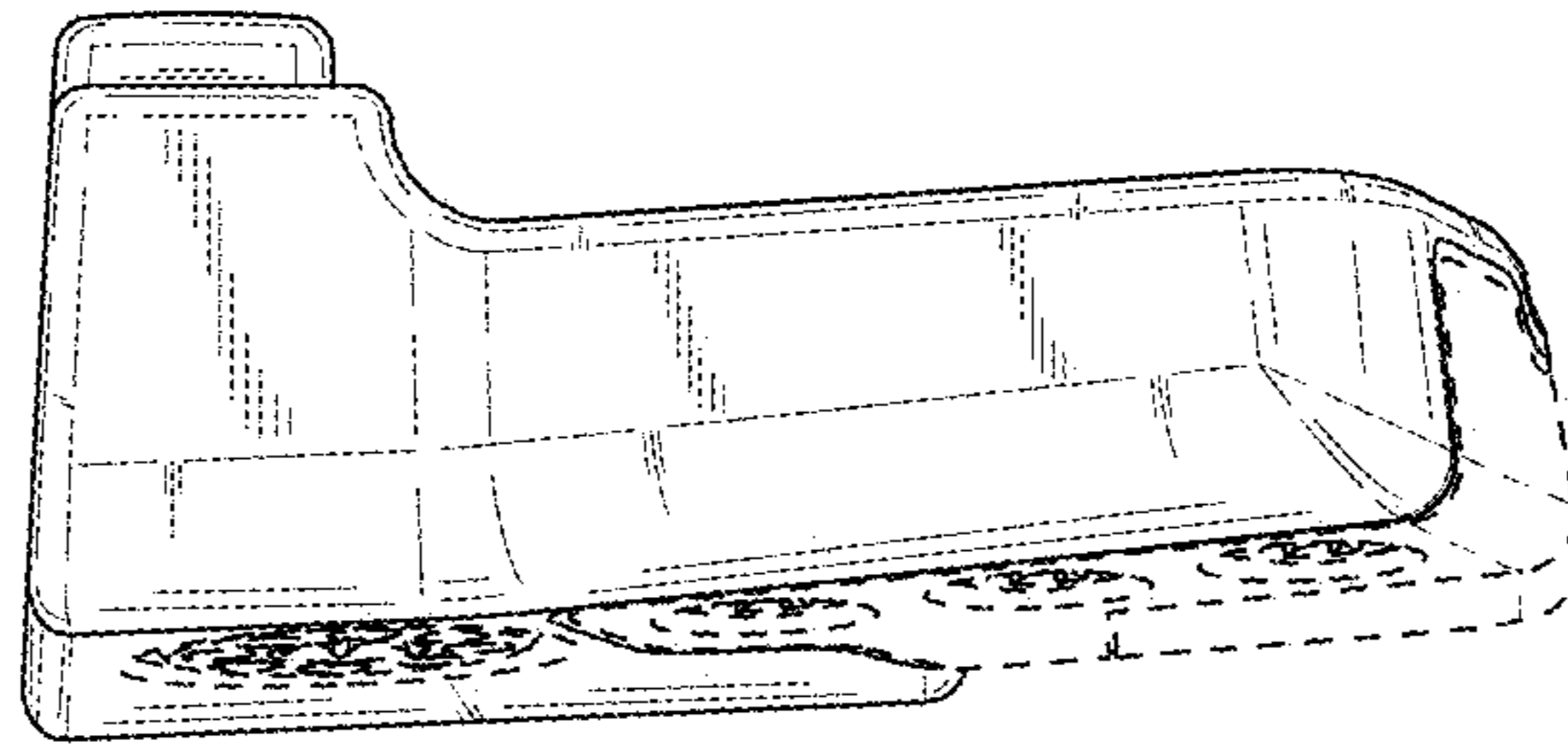
**FIG. 4**



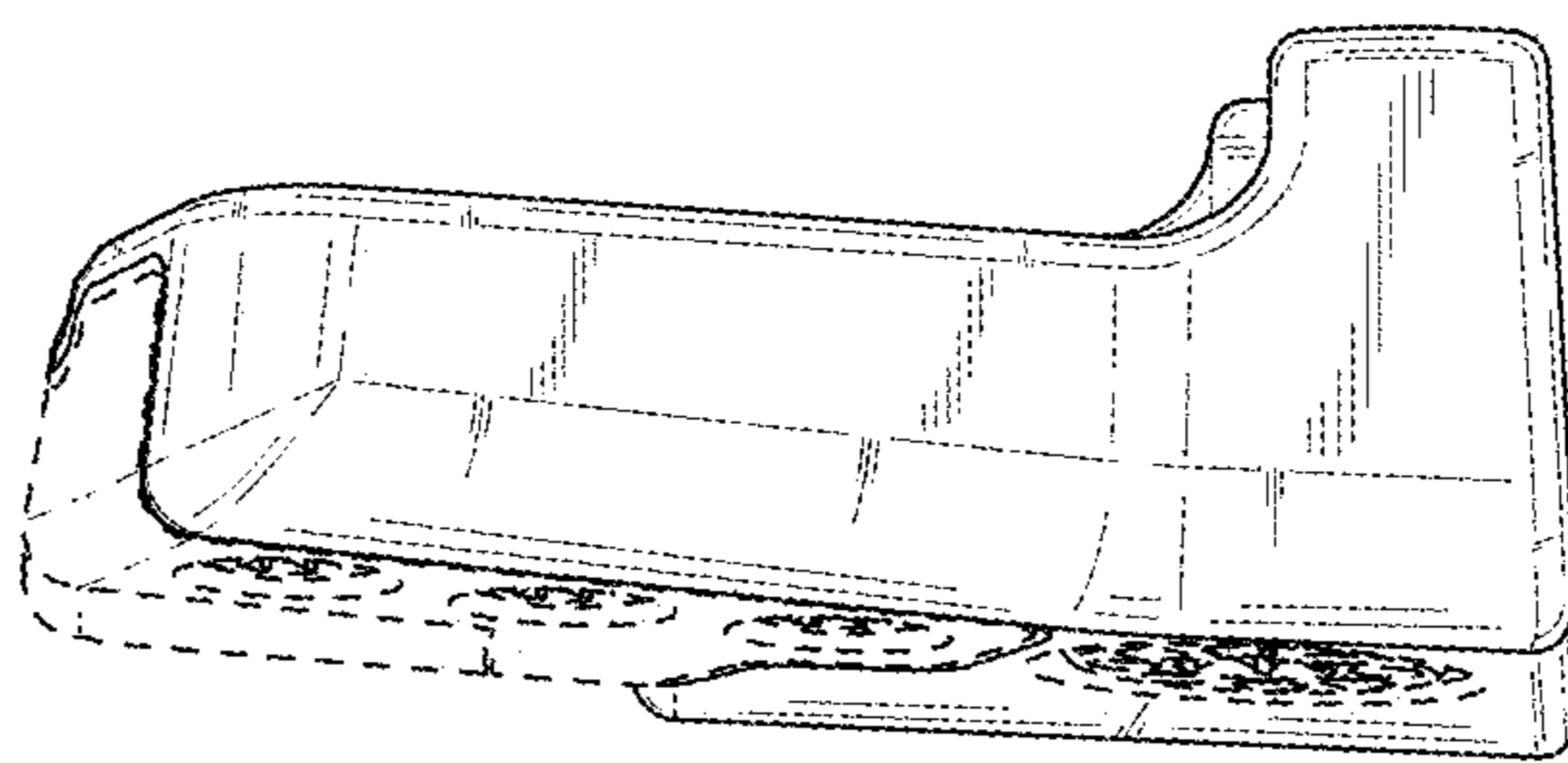
**FIG. 5**



**FIG. 6**

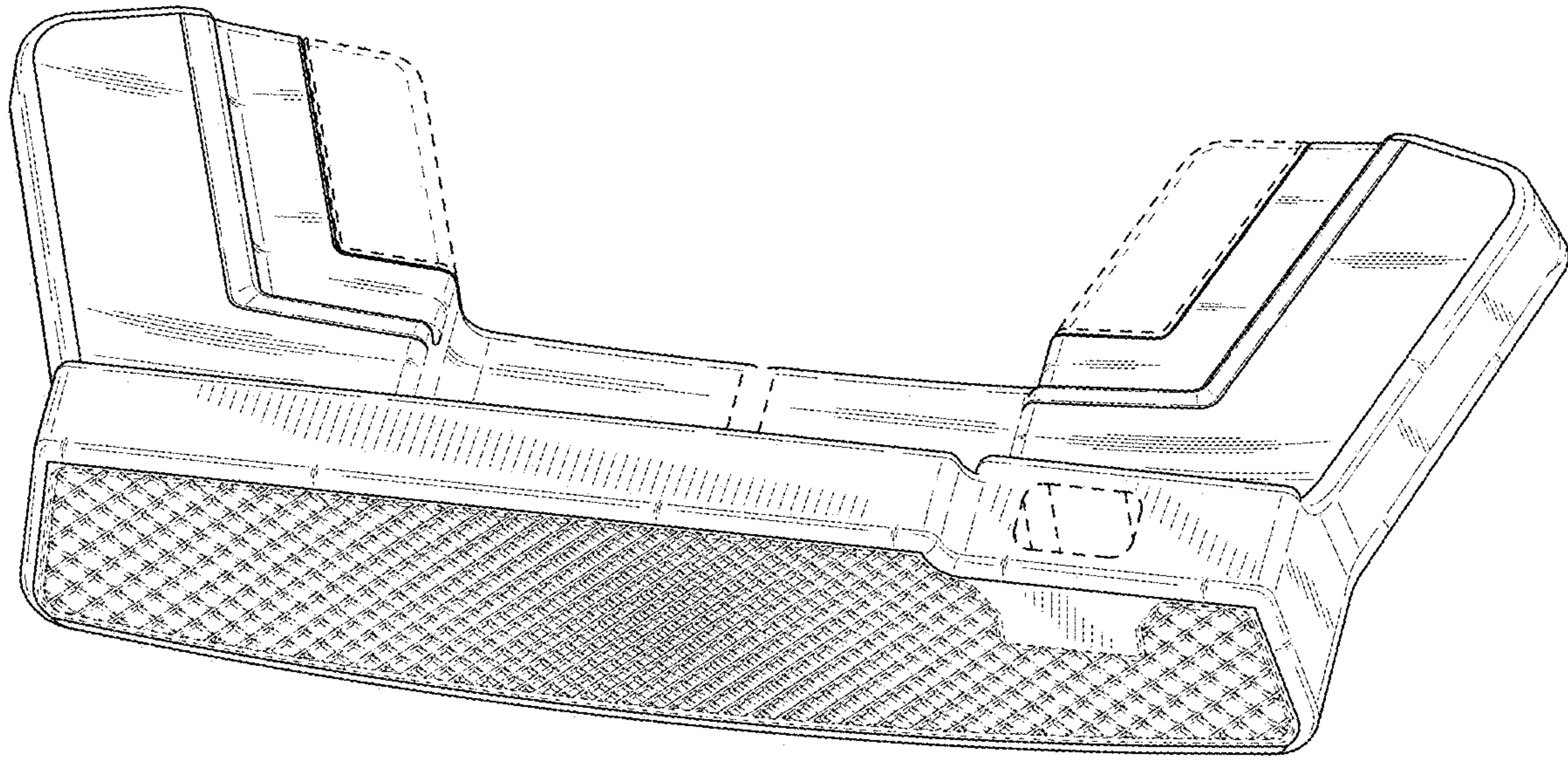


**FIG. 7**

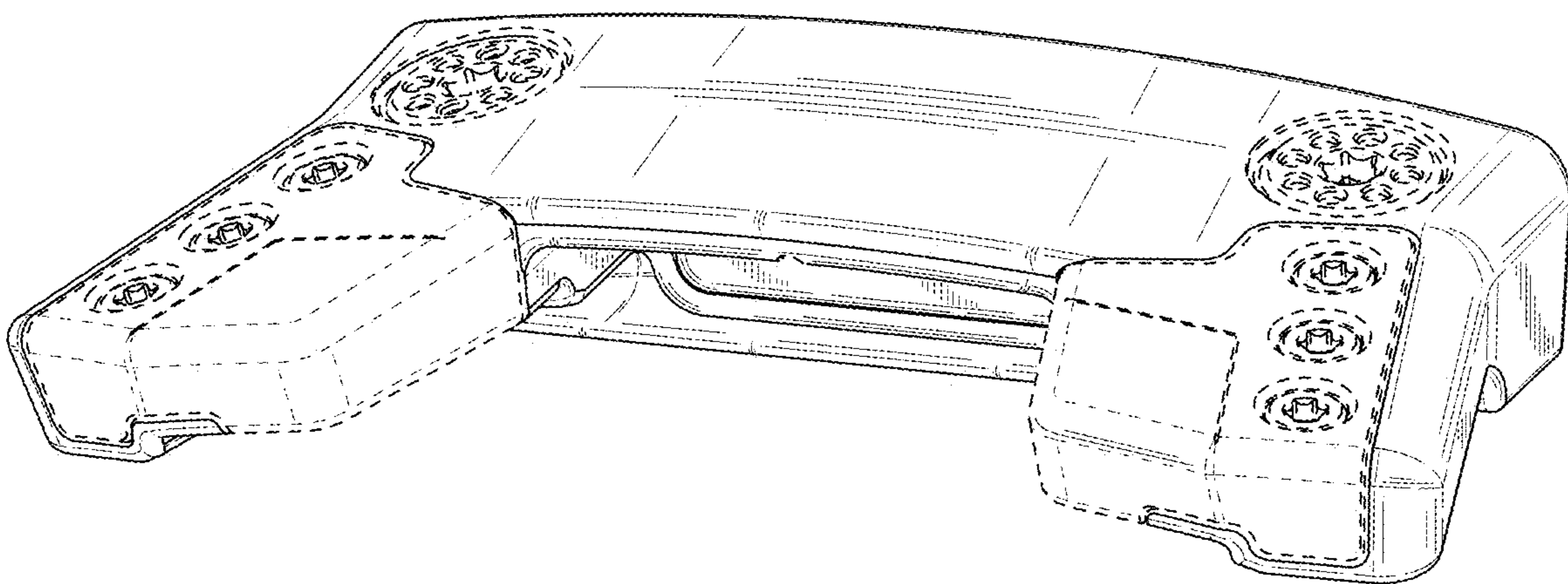


**FIG. 8**

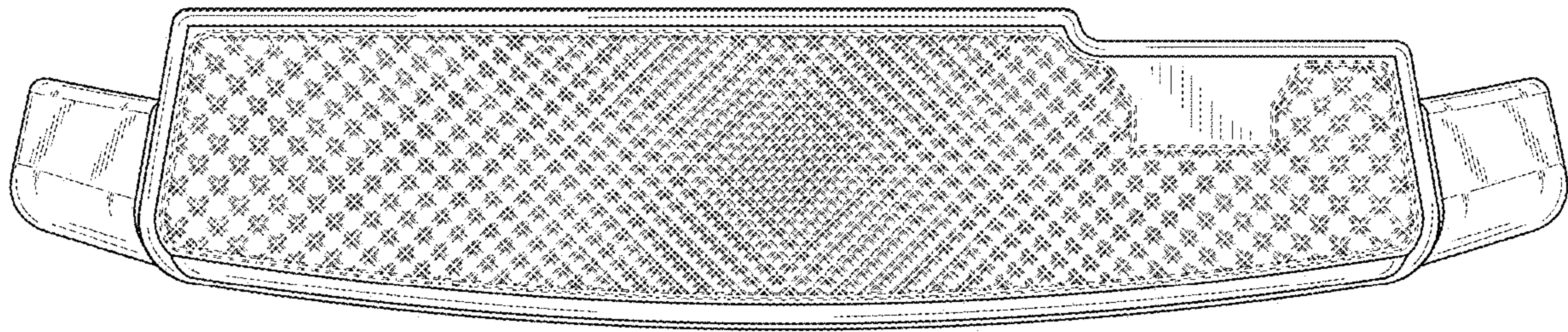




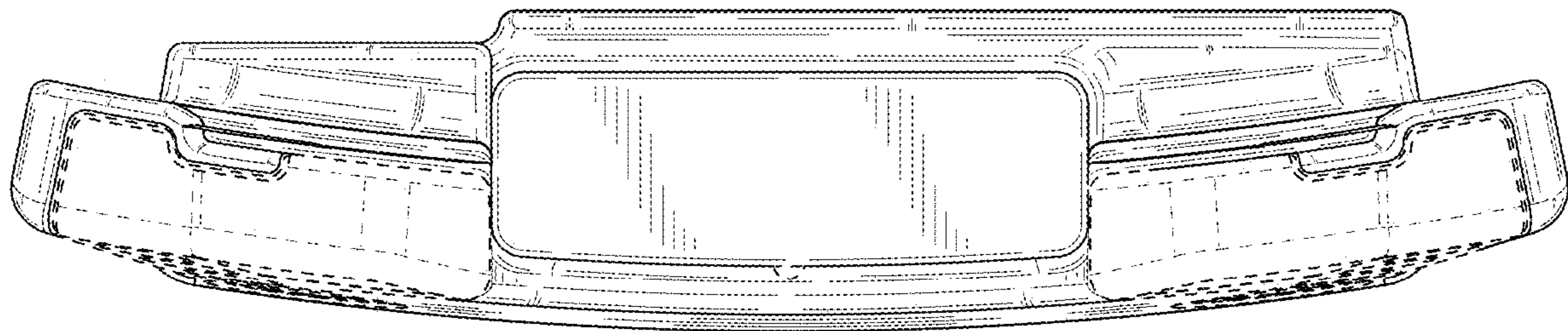
**FIG. 9**



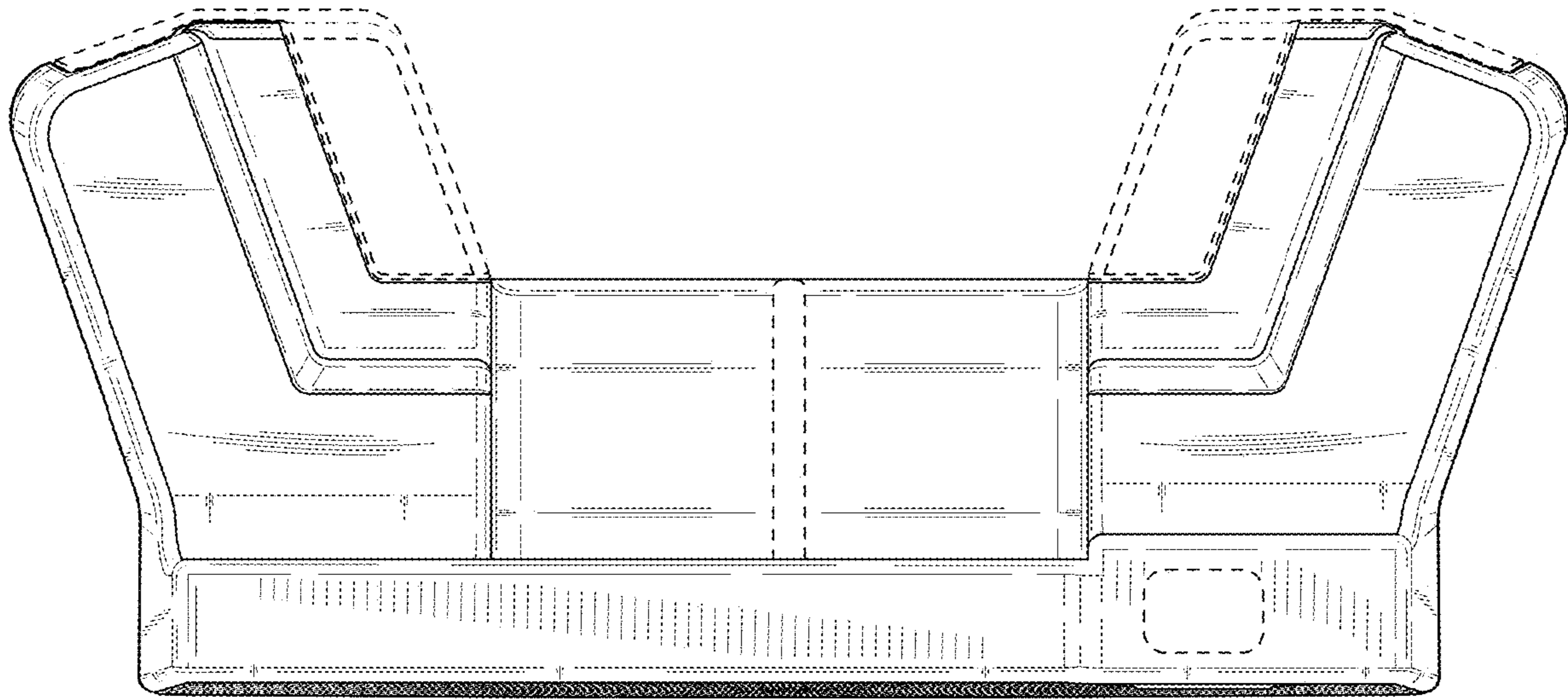
**FIG. 10**



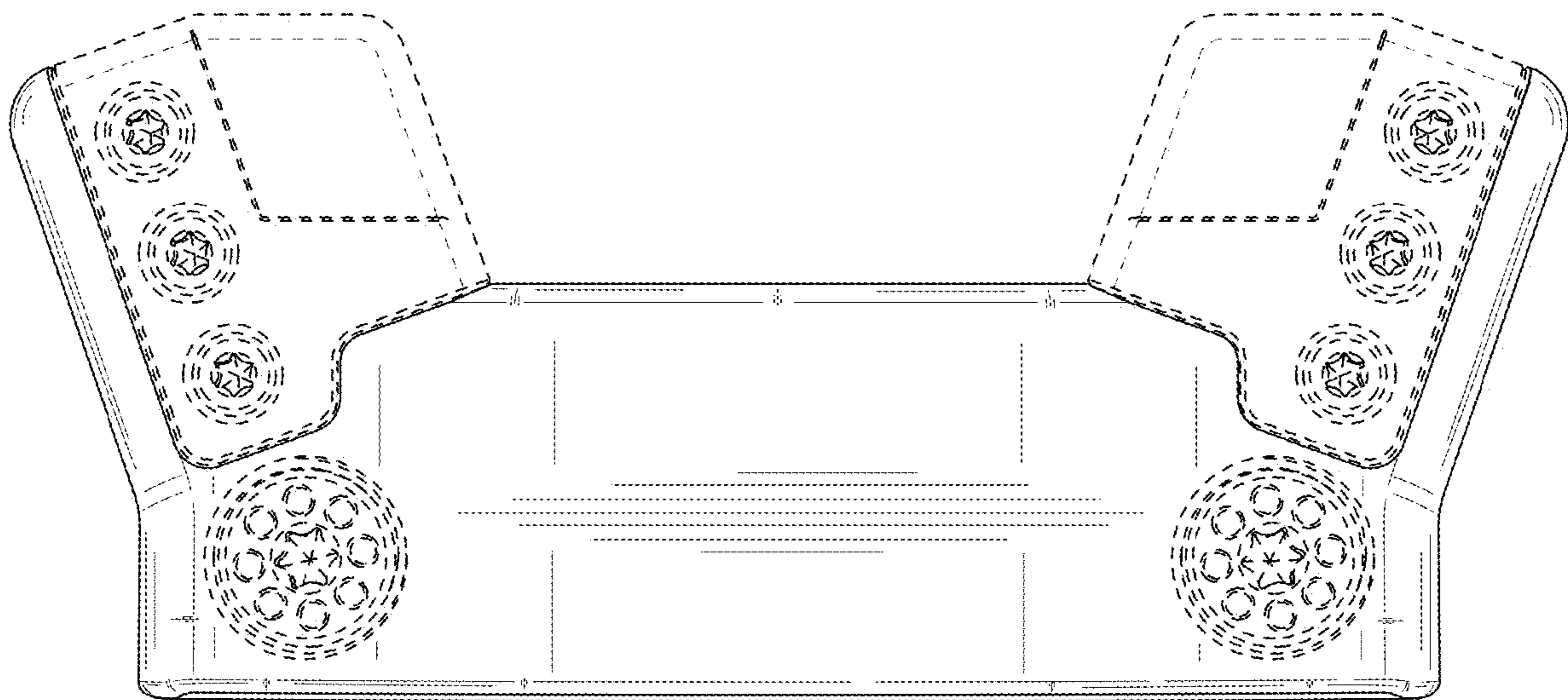
**FIG. 11**



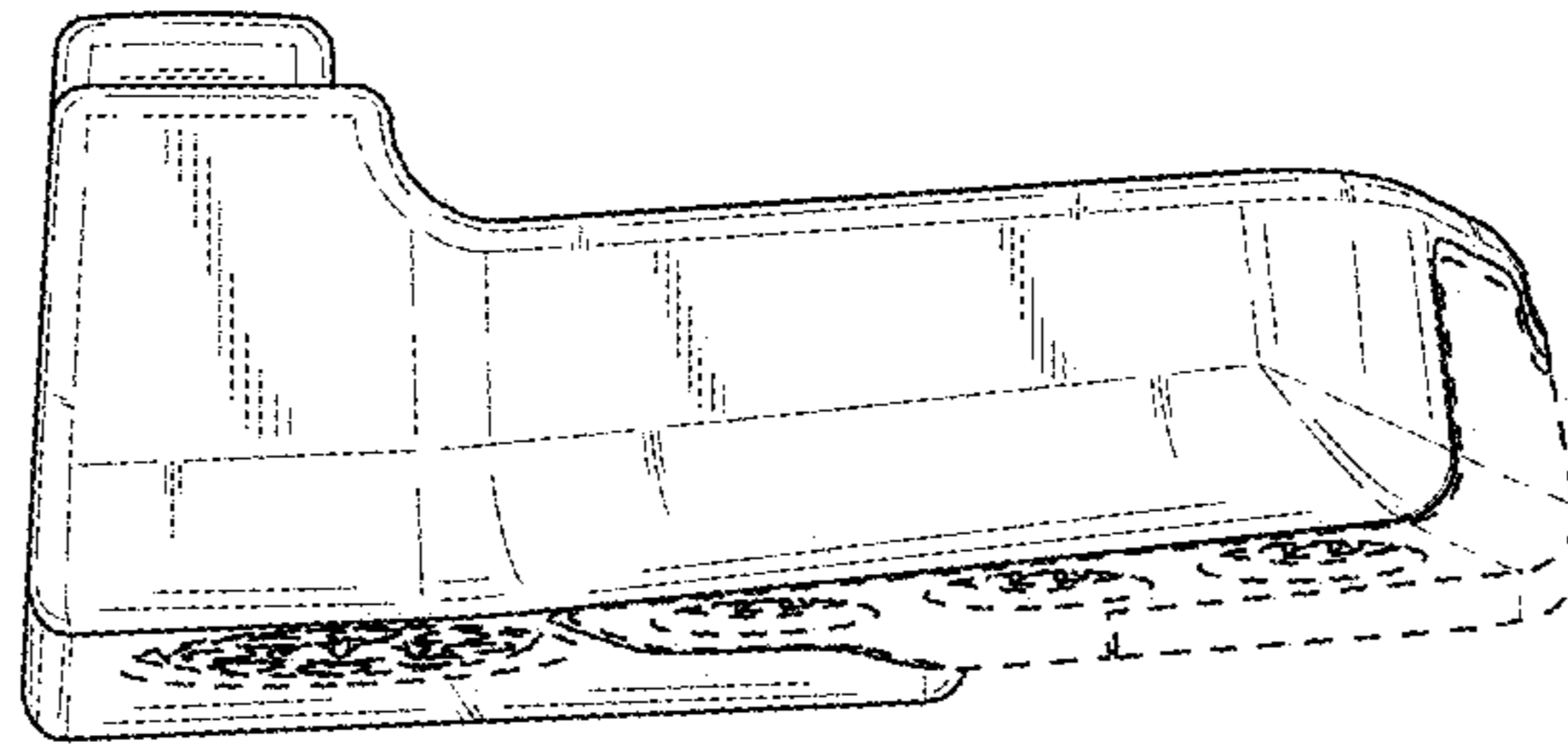
**FIG. 12**



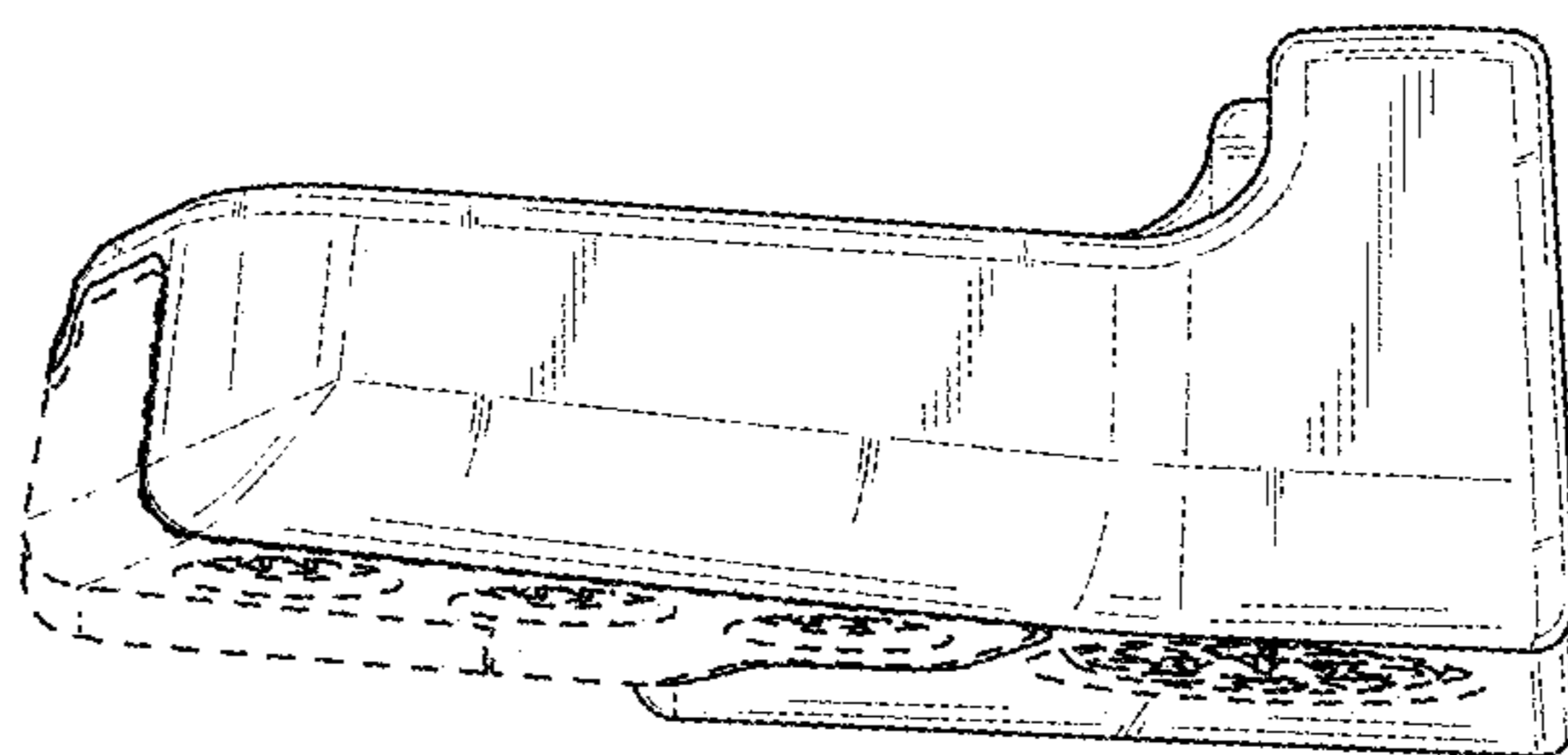
**FIG. 13**



**FIG. 14**



**FIG. 15**



**FIG. 16**