



US00D971353S

(12) **United States Design Patent** (10) **Patent No.:** **US D971,353 S**
Kellogg (45) **Date of Patent:** **** *Nov. 29, 2022**

(54) **ADJUSTABLE GOLF TEE ASSEMBLY**

D705,878 S * 5/2014 Humphrey D21/717
D878,504 S * 3/2020 Parham D21/698
D921,138 S * 6/2021 Sulisz D21/717

(71) Applicant: **David D. Kellogg**, San Jose, CA (US)

(Continued)

(72) Inventor: **David D. Kellogg**, San Jose, CA (US)

FOREIGN PATENT DOCUMENTS

(*) Notice: This patent is subject to a terminal disclaimer.

GB 2080121 A 2/1982
KR 200478462 Y1 10/2015

(**) Term: **15 Years**

OTHER PUBLICATIONS

(21) Appl. No.: **29/758,880**

Groove RT Adjustable Height Golf Tees. Date First Available: May 31, 2017. Retrieved from internet: <<https://www.amazon.com/Groove-RT-Adjustable-Height-Standard/dp/B01N75P068>> [site visited Feb. 16, 2022] (Year: 2017).*

(22) Filed: **Nov. 19, 2020**

(Continued)

(51) **LOC (13) Cl.** **21-02**

(52) **U.S. Cl.**
USPC **D21/717**

(58) **Field of Classification Search**
USPC D21/789, 790, 791, 793, 794, 796, 319,
D21/358, 698, 715, 716, 717, 718, 720,
D21/721, 385, 364, 344, 304, 839
CPC . A63B 57/0012; A63B 57/0037; A63B 57/10;
A63B 57/12; A63B 57/13; A63B 57/15;
A63B 57/18; A63B 57/19; A63B
69/0075; A63B 69/0091

Primary Examiner — Jonathan J Han
Assistant Examiner — Yuan Yuan
(74) *Attorney, Agent, or Firm* — Wood Herron & Evans LLP

See application file for complete search history.

(57) **CLAIM**

The ornamental design for an adjustable golf tee assembly, as shown and described.

(56) **References Cited**

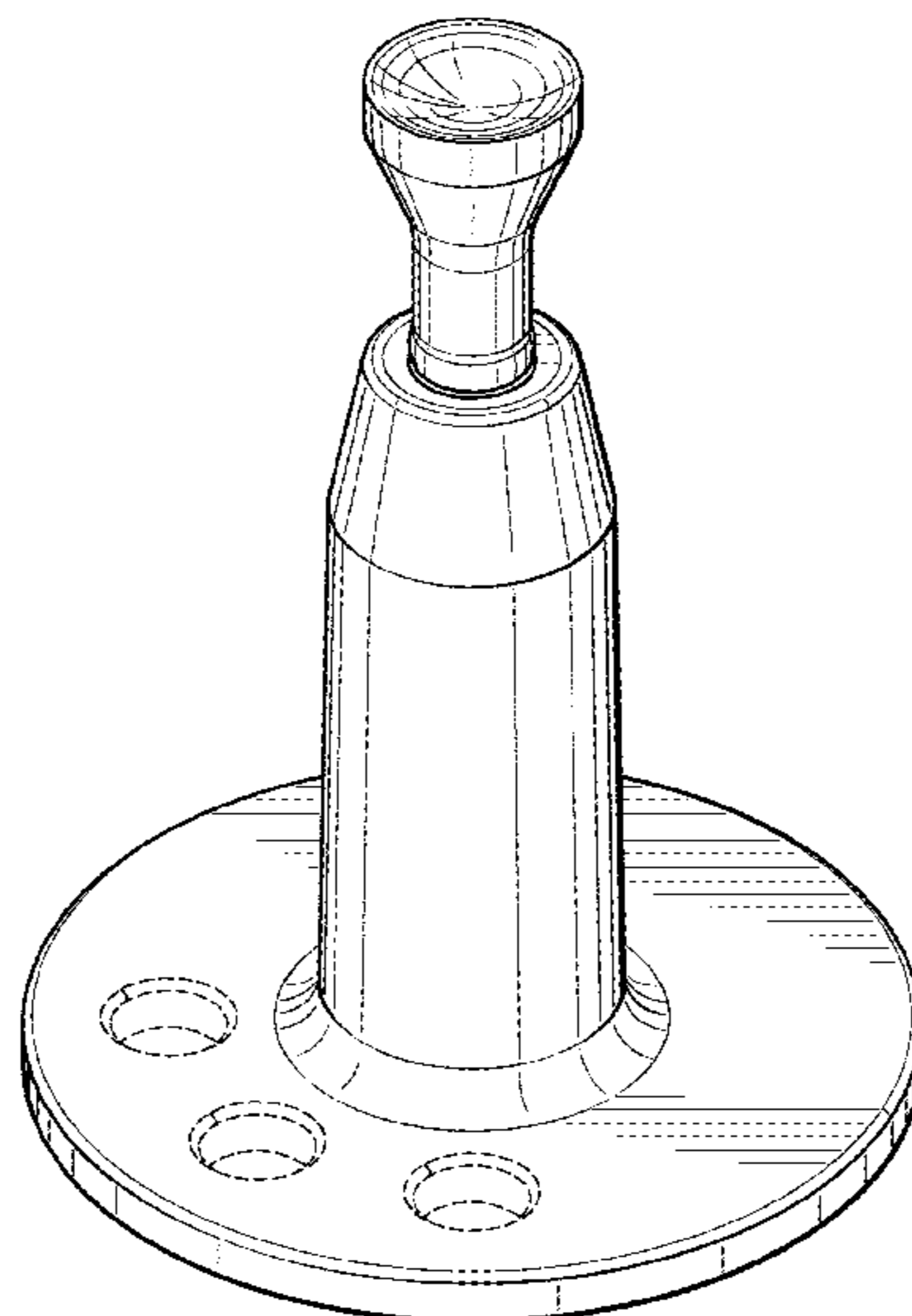
DESCRIPTION

U.S. PATENT DOCUMENTS

D216,904 S * 3/1970 Skyhawk D21/720
D306,751 S * 3/1990 Orton D21/717
D330,393 S * 10/1992 Grant D26/38
D420,076 S * 2/2000 Mezzadra D21/717
D425,588 S * 5/2000 Cramton D21/759
6,086,486 A * 7/2000 Murphy A63B 57/15
473/400
6,110,060 A * 8/2000 Spoto A63B 57/15
473/396
D518,537 S * 4/2006 Lee D21/717
7,052,416 B2 5/2006 Chang
D581,304 S * 11/2008 Phillips D10/113.2
D705,877 S * 5/2014 Humphrey D21/717

FIG. 1 is a front perspective view of an adjustable golf tee assembly showing my new design;
FIG. 2 is a front elevation view, the sides and rear views being identical thereof;
FIG. 3 is a top plan view thereof;
FIG. 4 is a bottom plan view thereof;
FIG. 5 is a front perspective of the adjustable golf tee assembly of FIG. 1, showing the tee in an extended configuration; and,
FIG. 6 is a front view of FIG. 5, the sides and rear view being identical thereof.
The broken lines in the drawings depict portions of the adjustable golf tee assembly that form no part of the claimed design.

1 Claim, 5 Drawing Sheets



(56)

References Cited

U.S. PATENT DOCUMENTS

D939,036 S * 12/2021 Bedard D21/718
2004/0132554 A1 7/2004 Schulze
2005/0181893 A1 8/2005 Slaven
2009/0088274 A1 4/2009 Blais
2009/0137345 A1 5/2009 Sagadevan
2009/0325726 A1 12/2009 Humphrey
2012/0046121 A1 2/2012 Schubert
2012/0214616 A1* 8/2012 Lipstock A63B 57/10
473/396
2017/0173423 A1* 6/2017 Ciasullo A63B 57/15
2020/0061430 A1* 2/2020 Wong A63B 59/50

OTHER PUBLICATIONS

InfiniTEE Height Adjustable Driving Range Mat Golf Tee. Date First Available: Dec. 7, 2020. Retrieved from internet: <<https://www.amazon.com/infiniTEE-Product-Adjustable-Designed-Assembled/dp/B08PTQCDM7>> [site visited Feb. 10, 2022] (Year: 2020).*

InfiniTEE Height Adjustable Driving Range Mat Golf Tee Taller Version. Date First Available: Nov. 24, 2020. Retrieved from internet: <<https://www.amazon.com/infiniTEE-Adjustable-Version-Designed-Assembled/dp/B08P2Q6RRX>> [site visited Feb. 10, 2022] (Year: 2020).*

* cited by examiner

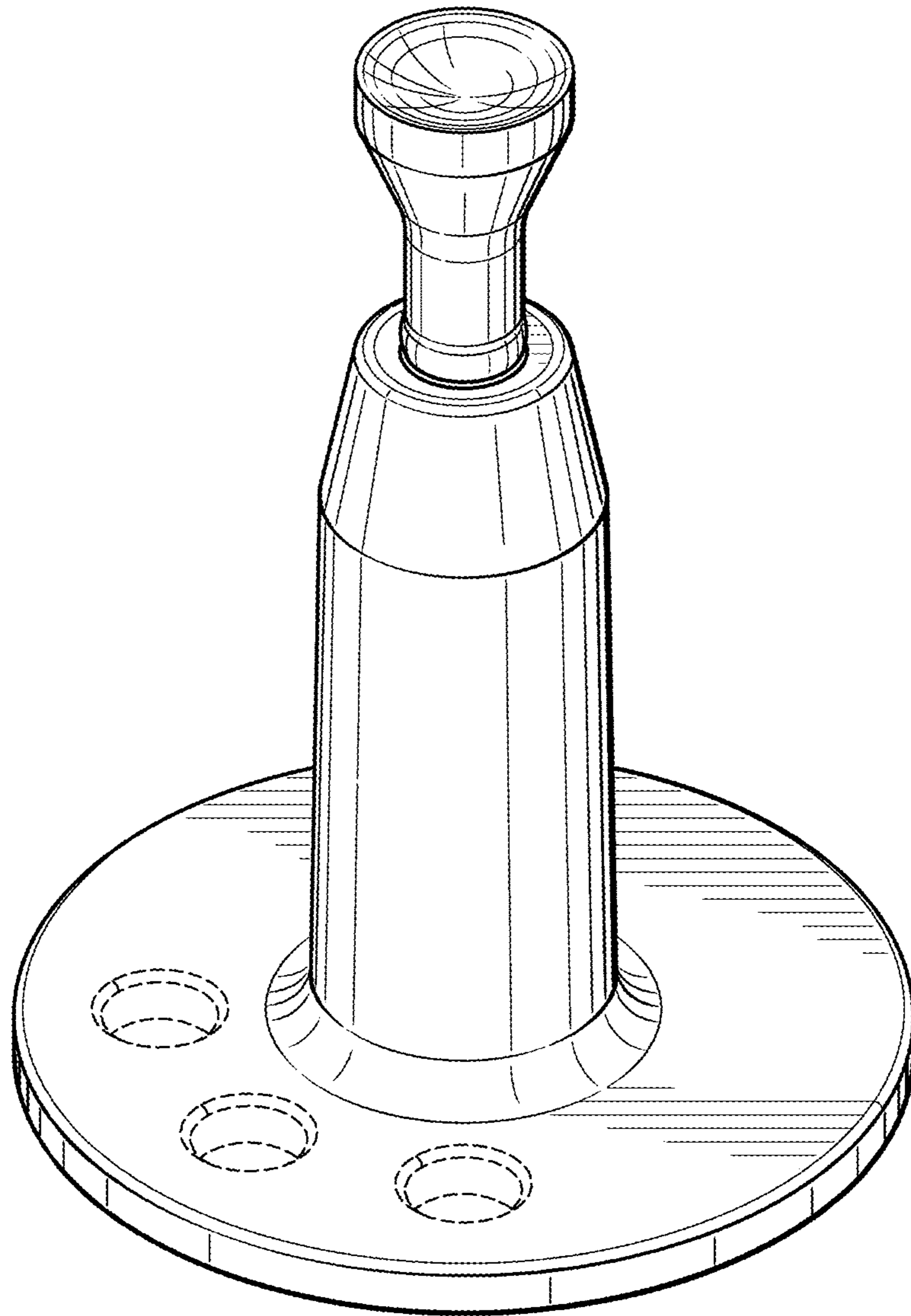


FIG. 1

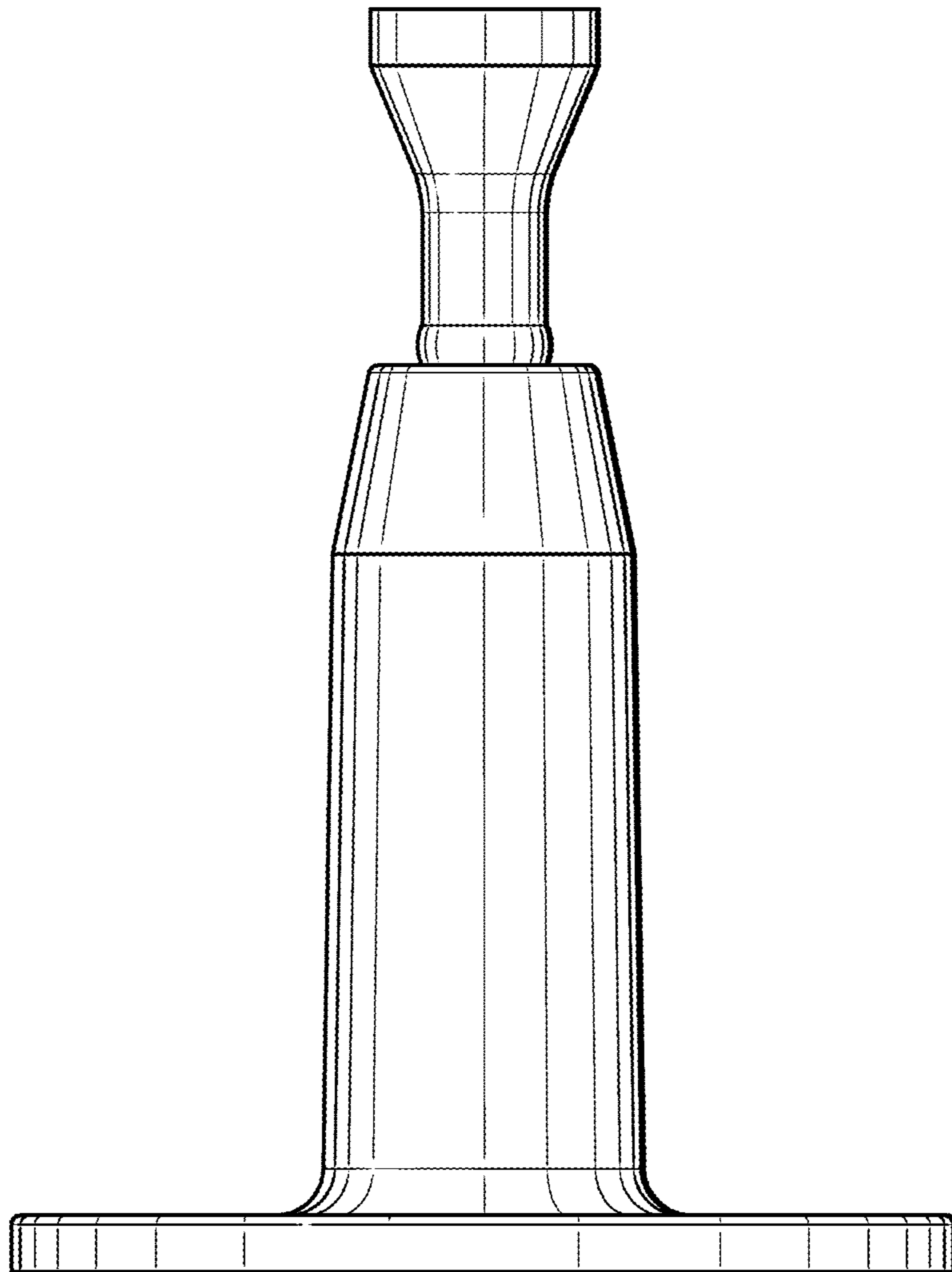


FIG. 2

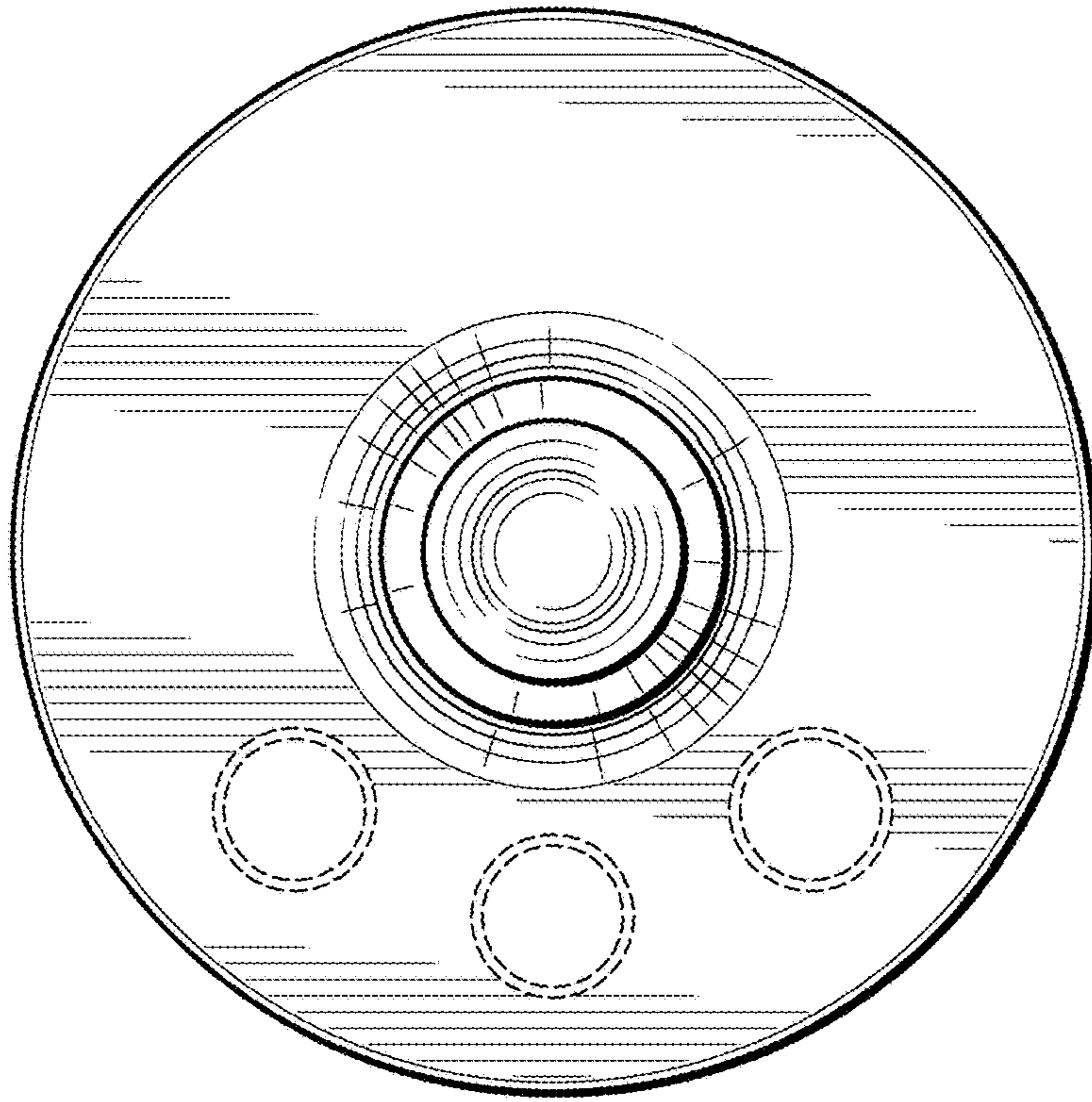


FIG. 3

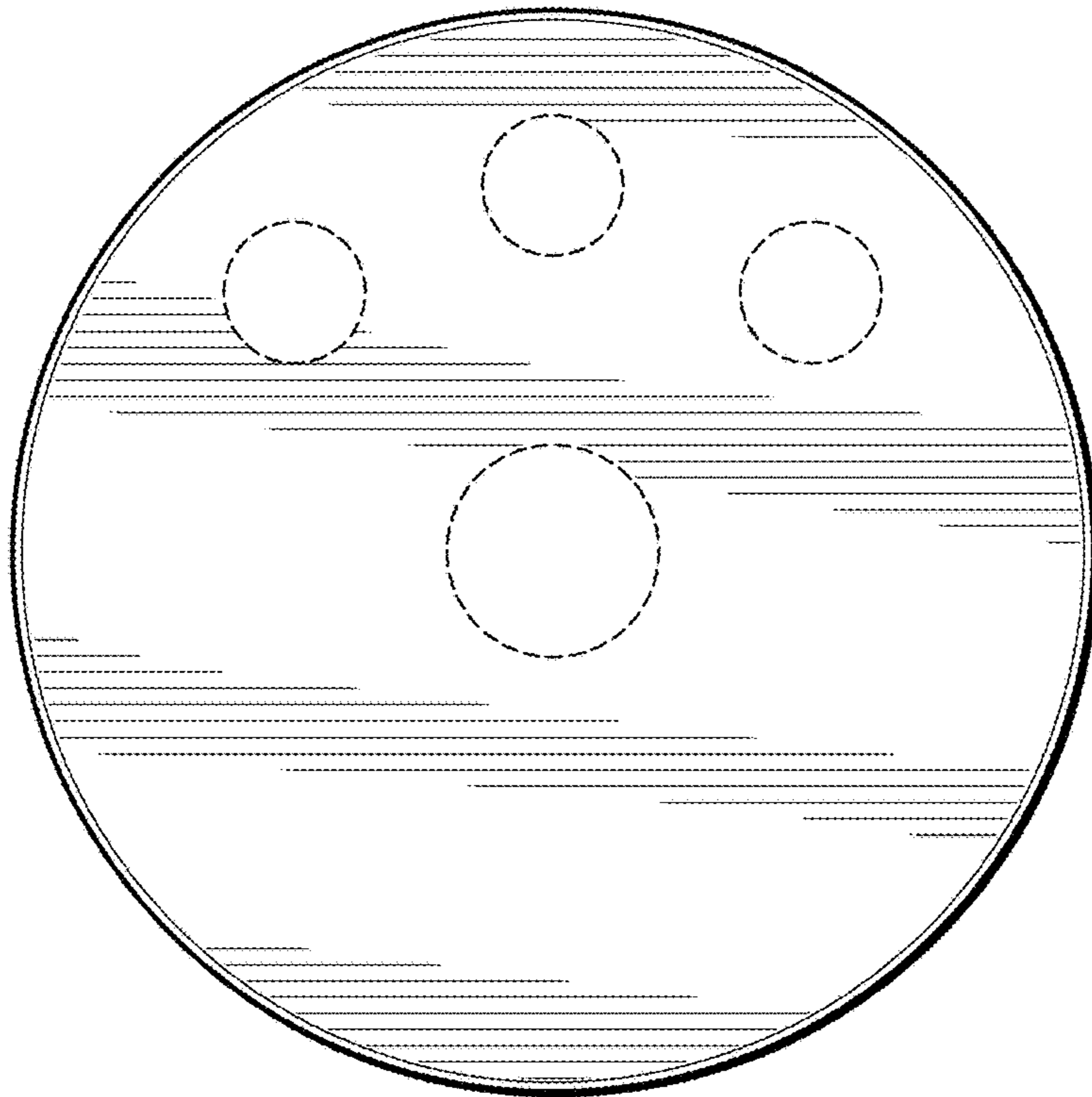


FIG. 4

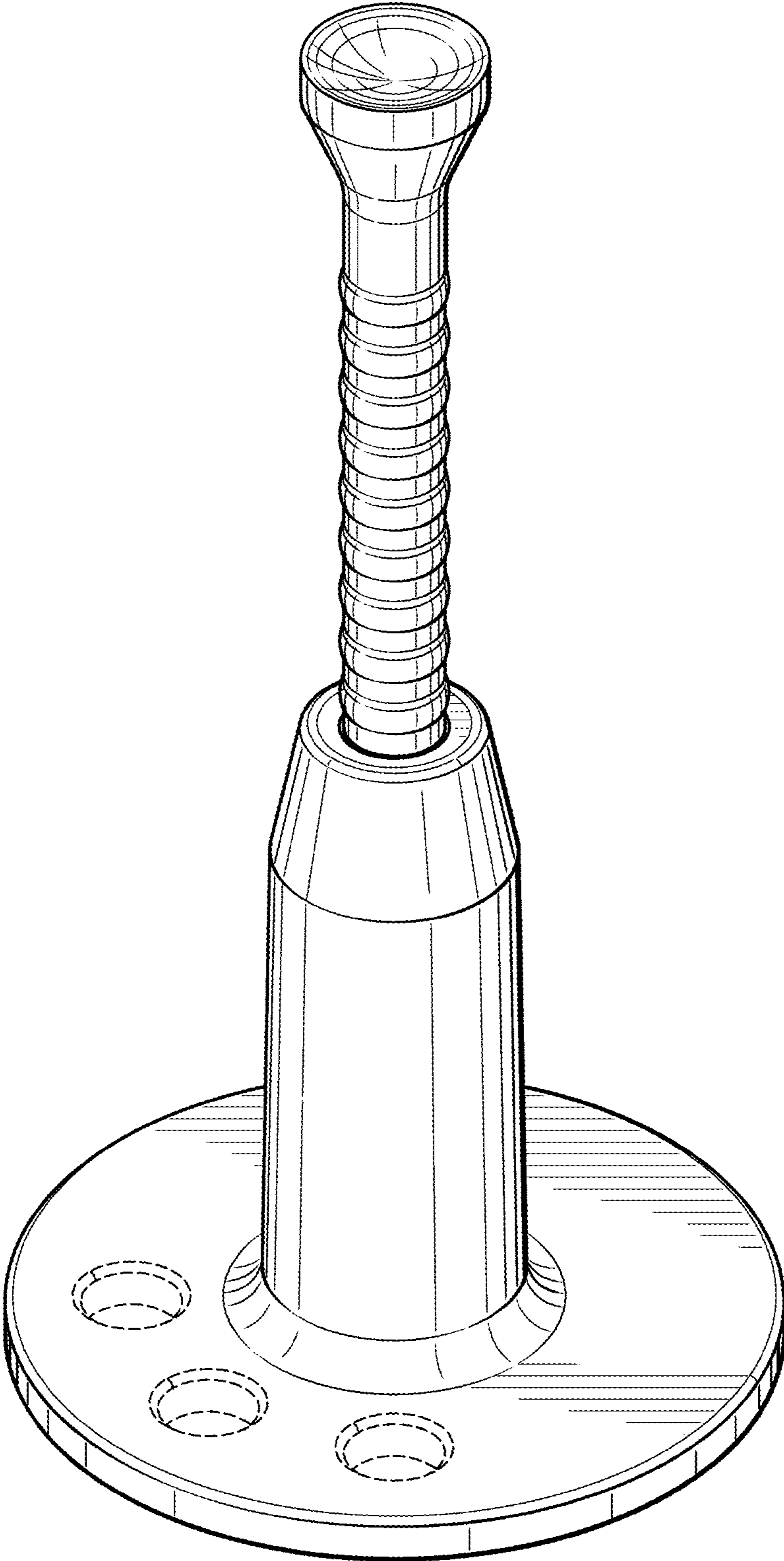


FIG. 5

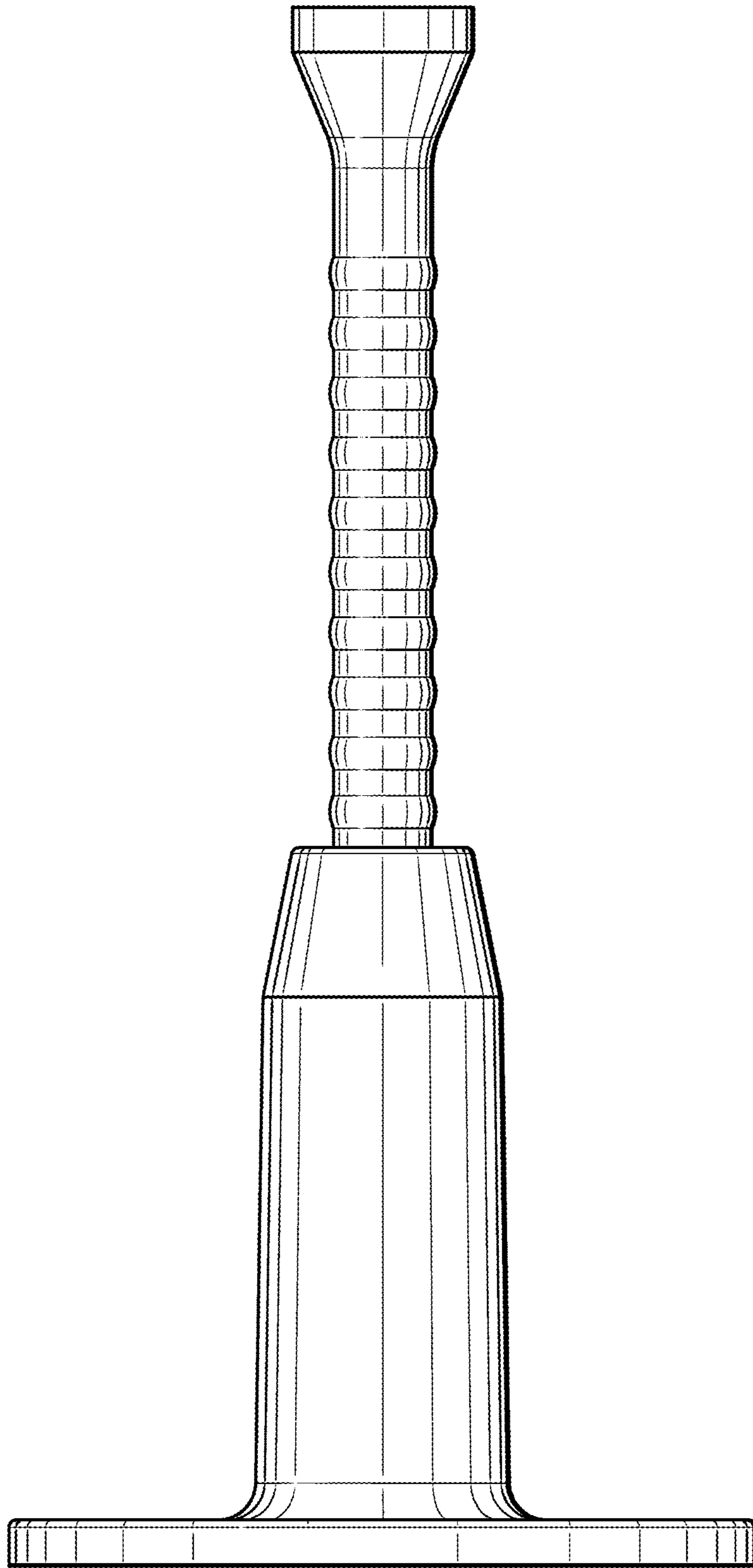


FIG. 6