



US00D971352S

(12) **United States Design Patent** (10) **Patent No.:** **US D971,352 S**
Engler et al. (45) **Date of Patent:** **** Nov. 29, 2022**

(54) **GAME NET SUPPORT ARM**

(71) Applicant: **P&P IMPORTS LLC**, Irvine, CA (US)

(72) Inventors: **Peter Engler**, Newport Beach, CA (US); **Peter Tanoury**, Newport Beach, CA (US); **Willis Santamaria**, Diamond Bar, CA (US)

(**) Term: **15 Years**

(21) Appl. No.: **29/727,384**

(22) Filed: **Mar. 10, 2020**

(51) **LOC (13) Cl.** **21-02**

(52) **U.S. Cl.**
USPC **D21/699**

(58) **Field of Classification Search**

USPC D21/699, 781, 701, 702, 703, 704, 705, D21/713, 714, 715, 799.1, 303, 305, 801, D21/803, 808, 473, 301, 302, 314, 318, D21/724, 719, 788, 787, 790, 799.2; D6/708, 708.13, 708.17, 708.2, 332; D11/182; D26/93, 67, 143, 145, 92, 22, D26/87, 138, 140, 142

CPC A63B 61/00; A63B 61/02; A63B 63/00; A63B 63/004; A63B 2063/005; A63B 63/008; A63B 63/08; A63B 63/083; A63B 67/00; A63B 67/007; A63B 67/20; A63B 69/0017; A63B 69/0095; A63B 69/38; A63B 71/023; A63B 2209/10; A63B 71/028; A63B 2071/026; A63B 2225/60; A63B 2102/02; A63B 2102/14

See application file for complete search history.

(56) **References Cited**

U.S. PATENT DOCUMENTS

D248,784 S * 8/1978 Miller D21/702
D316,907 S * 5/1991 Barbaglia D26/62
D330,436 S * 10/1992 Chan D26/62
5,176,344 A * 1/1993 Eberhard A63B 61/02
248/156
5,415,393 A * 5/1995 Fitzsimmons A63B 71/023
248/158

(Continued)

OTHER PUBLICATIONS

GoSports Splash Net PRO Pool Volleyball Net. Date Posted: Apr. 18, 2020. Retrieved from internet: <https://www.amazon.ca/GoSports-Splash-Volleyball-Water-Volleyballs/dp/B08787LJS3?th=1> [site visited Nov. 17, 2021] (Year: 2020).*

(Continued)

Primary Examiner — Katherine Glennon

Assistant Examiner — Yuan Yuan

(74) *Attorney, Agent, or Firm* — Casey H. Kempner; Siamak S. Hefazi

(57) **CLAIM**

The ornamental design for a game net support arm, as shown and described.

DESCRIPTION

FIG. 1 is a side view of a game net support arm showing the claimed design, in an environment of use;

FIG. 2 is a front perspective view of the game net support arm shown in the environment of use;

FIG. 3 is a front perspective view thereof shown without its environment;

FIG. 4 is a rear perspective view thereof;

FIG. 5 is a left-side view thereof, the right-side view being a mirror image thereof;

FIG. 6 is a front view thereof;

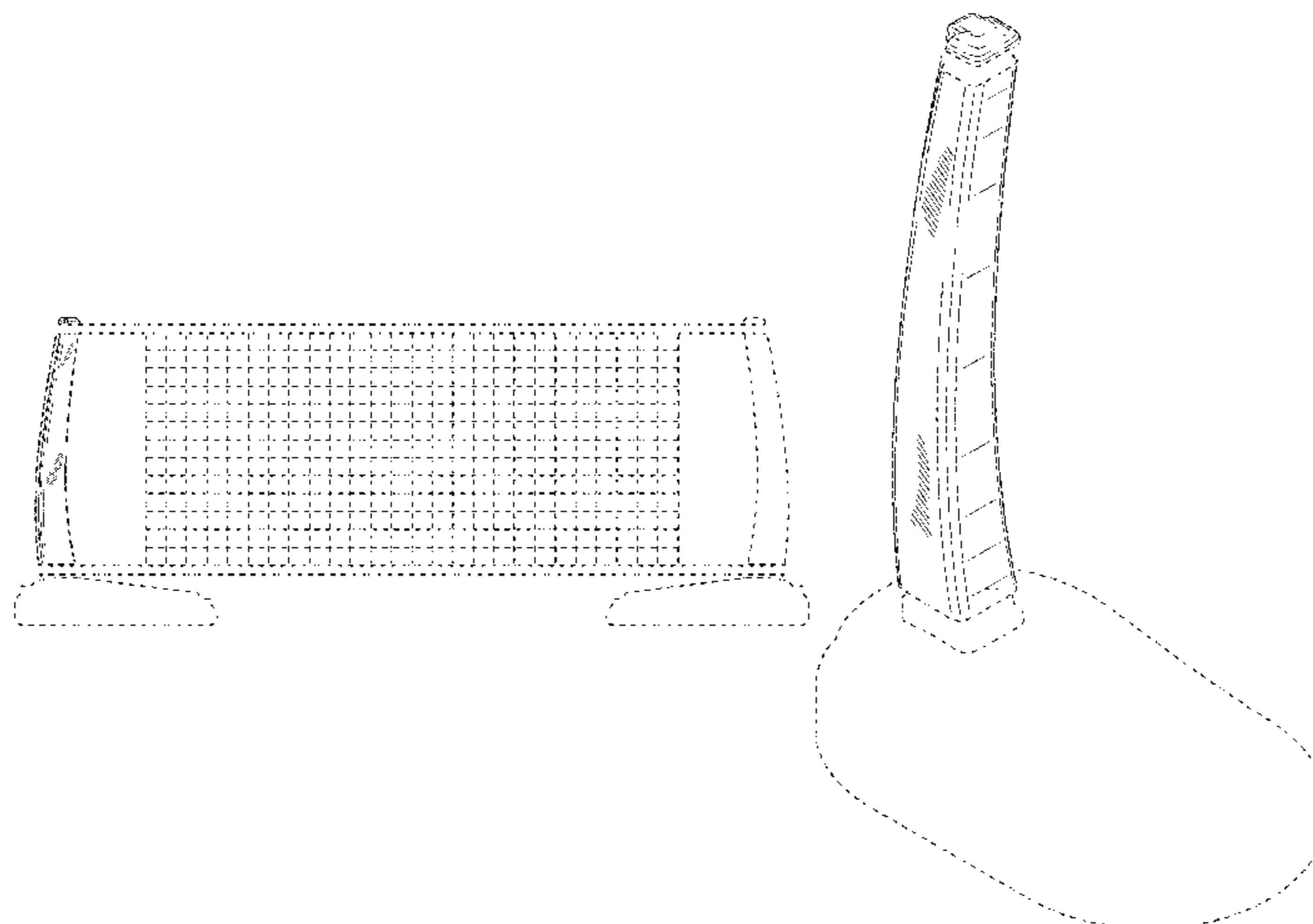
FIG. 7 is a back view thereof;

FIG. 8 is a top view thereof; and,

FIG. 9 is a bottom view thereof.

The broken line showing of the bases and net in FIGS. 1-2 depict environmental subject matter and form no part of the claimed design. All other broken lines depict portions of the game net support arm that form no part of the claimed design.

1 Claim, 9 Drawing Sheets



(56)

References Cited

U.S. PATENT DOCUMENTS

5,573,237 A * 11/1996 Van Nimwegen ... A63B 63/083
248/161
5,632,480 A * 5/1997 Davis A63B 71/023
248/161
D501,670 S * 2/2005 Landi, Jr. D21/803
D580,589 S * 11/2008 Ruud D26/138
D666,848 S * 9/2012 Longenecker D6/708
2003/0006403 A1 * 1/2003 Vetesnik B66C 23/166
254/334
2016/0367878 A1 * 12/2016 Bell A63B 69/0079

OTHER PUBLICATIONS

GoSports Splash Hoop PRO Swimming Pool Basketball Game.
Date Posted: Nov. 5, 2019. Retrieved from internet: <<https://www.amazon.com/GoSports-Splash-Basketball-Poolside-Water/dp/B0812LQ8GW/>> [site visited Nov. 19, 2021] (Year: 2019).*

* cited by examiner

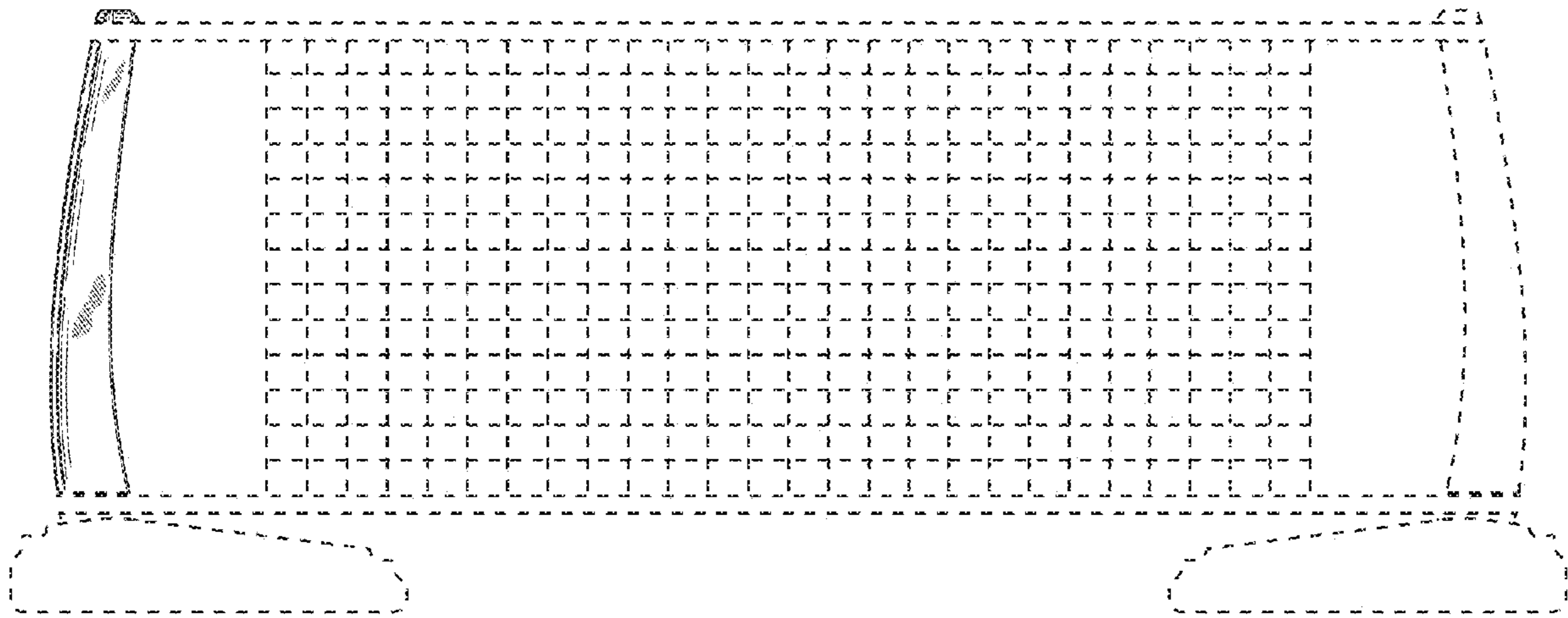


FIG. 1

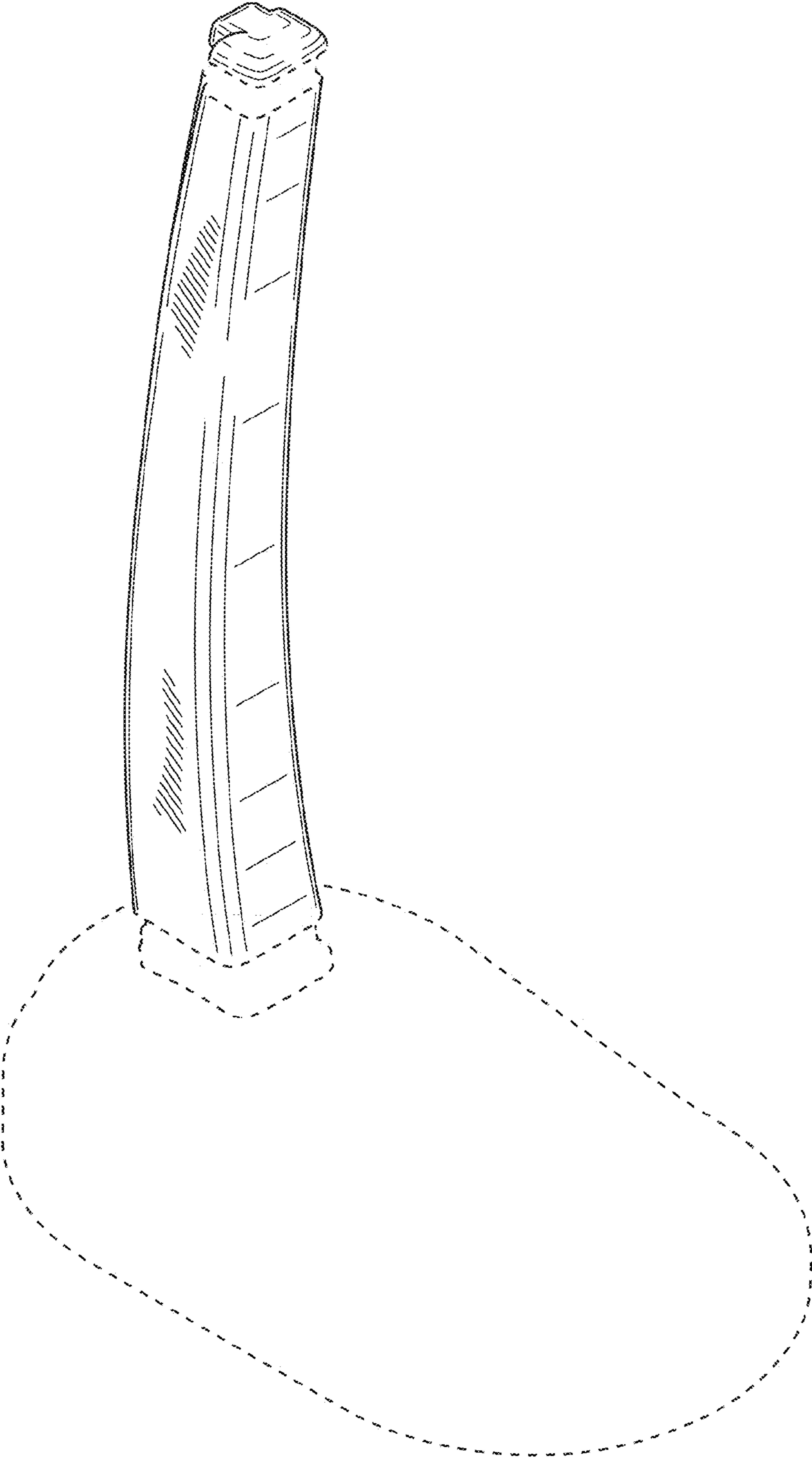


FIG. 2

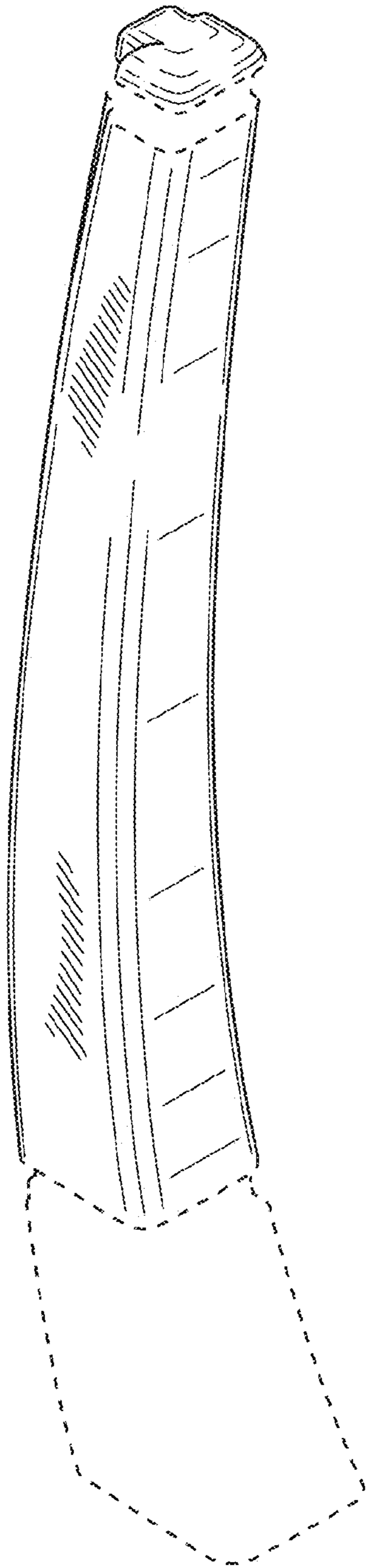


FIG. 3

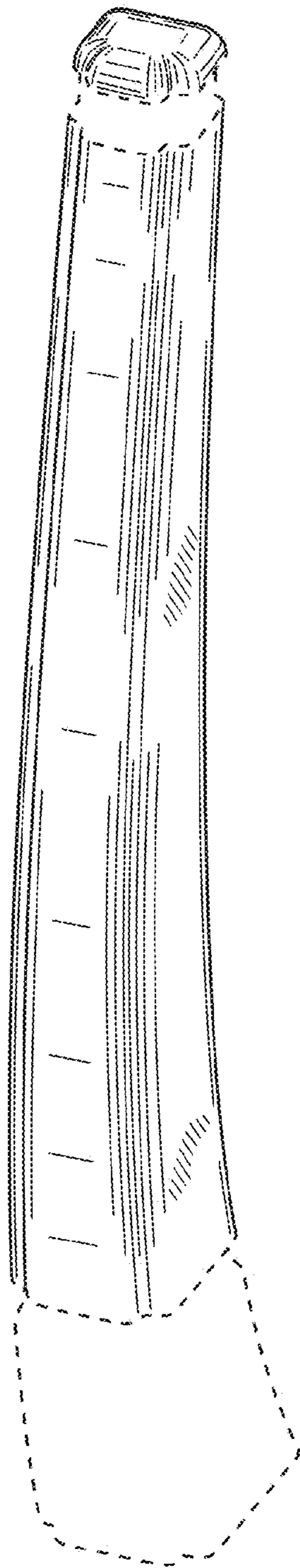


FIG. 4

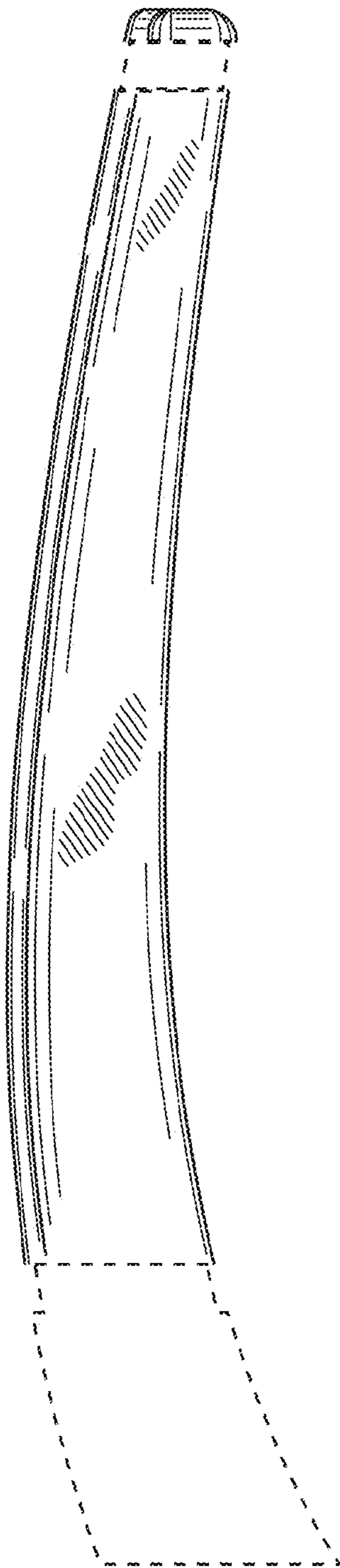


FIG. 5

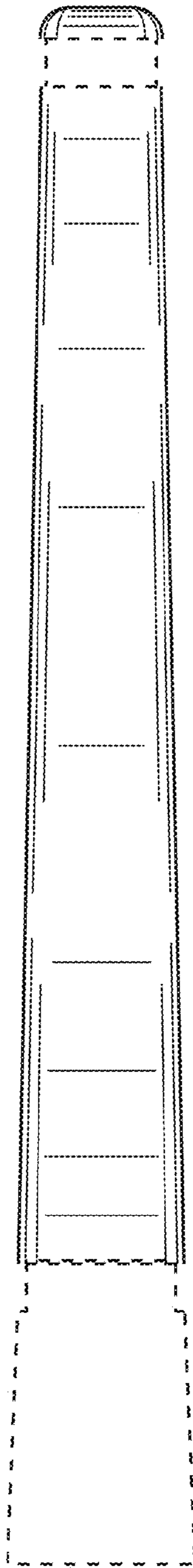


FIG. 6

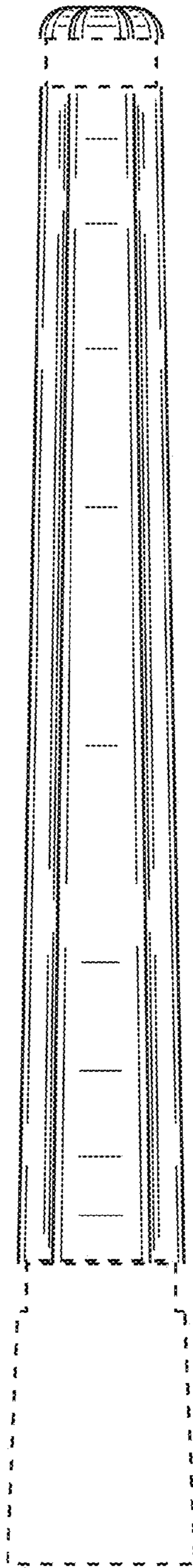


FIG. 7

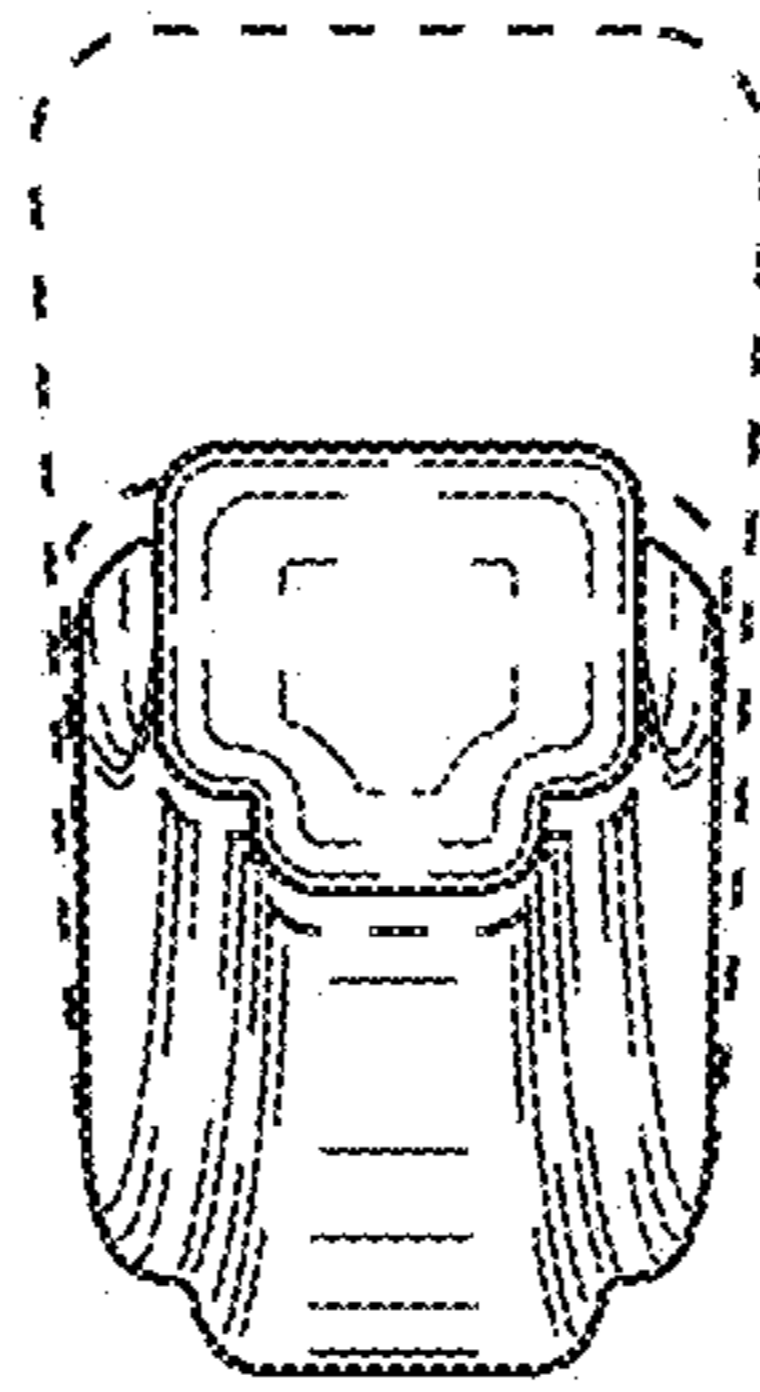


FIG. 8

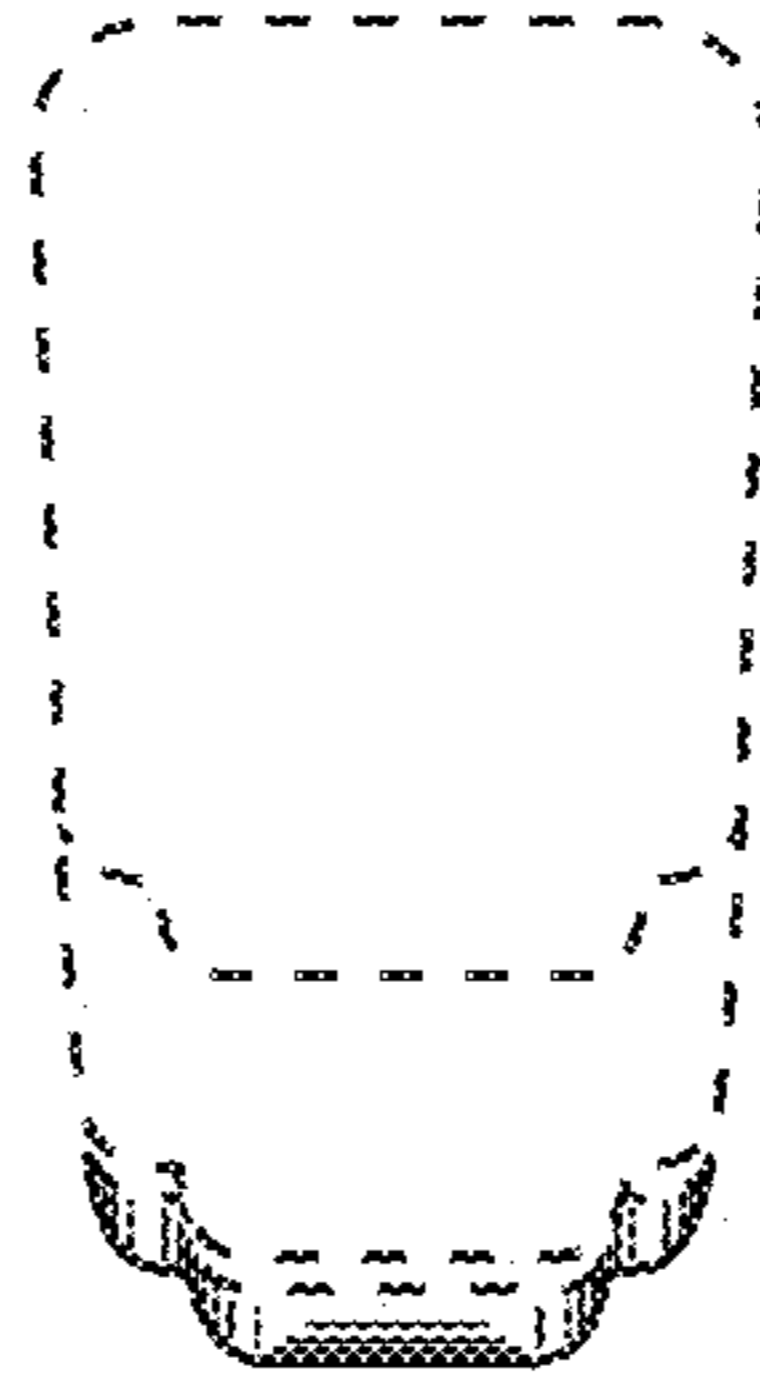


FIG. 9