

US00D971350S

(12) **United States Design Patent** (10) **Patent No.:** **US D971,350 S**  
**Fleischman et al.** (45) **Date of Patent:** **\*\* Nov. 29, 2022**

(54) **T BAR ROW POWER RACK ATTACHMENT**

(71) Applicant: **Setsmart LLC**, Brooklyn, NY (US)

(72) Inventors: **Mindy Fleischman**, Brooklyn, NY (US); **Samuel Stern**, Brooklyn, NY (US)

(73) Assignee: **Setsmart LLC**, Brooklyn, NY (US)

(\*\*) Term: **15 Years**

(21) Appl. No.: **29/846,836**

(22) Filed: **Jul. 19, 2022**

(51) **LOC (13) Cl.** ..... **21-02**

(52) **U.S. Cl.**  
USPC ..... **D21/686**

(58) **Field of Classification Search**  
USPC ..... D21/686-694  
CPC ..... A63B 26/00; A63B 5/00; A63B 21/00047  
See application file for complete search history.

(56) **References Cited**

**U.S. PATENT DOCUMENTS**

5,011,139 A \* 4/1991 Towley, III ..... A63B 21/0628  
482/41  
D384,710 S 10/1997 Pahel  
D401,985 S \* 12/1998 Wheeler ..... D21/686  
D480,772 S \* 10/2003 Washington ..... D21/686  
D495,380 S \* 8/2004 Ceppo ..... D21/686  
D495,381 S \* 8/2004 Ceppo ..... D21/686  
9,017,238 B2 \* 4/2015 Meredith ..... A63B 23/1218  
482/142  
9,289,646 B2 3/2016 Tully  
10,376,727 B2 \* 8/2019 Fitzpatrick ..... A63B 23/1227

D924,988 S \* 7/2021 Barton ..... D21/679  
D931,957 S 9/2021 Rodriguez  
D955,511 S \* 6/2022 Carmichael ..... D21/688  
D956,890 S \* 7/2022 Scott ..... D21/686  
D961,024 S \* 8/2022 Sneathen ..... D21/686  
D961,700 S \* 8/2022 Swallows ..... D21/686  
D963,083 S \* 9/2022 Dunahay ..... D21/694

\* cited by examiner

*Primary Examiner* — Katrina A Betton

(74) *Attorney, Agent, or Firm* — Bochner IP, PLLC;  
Andrew D. Bochner

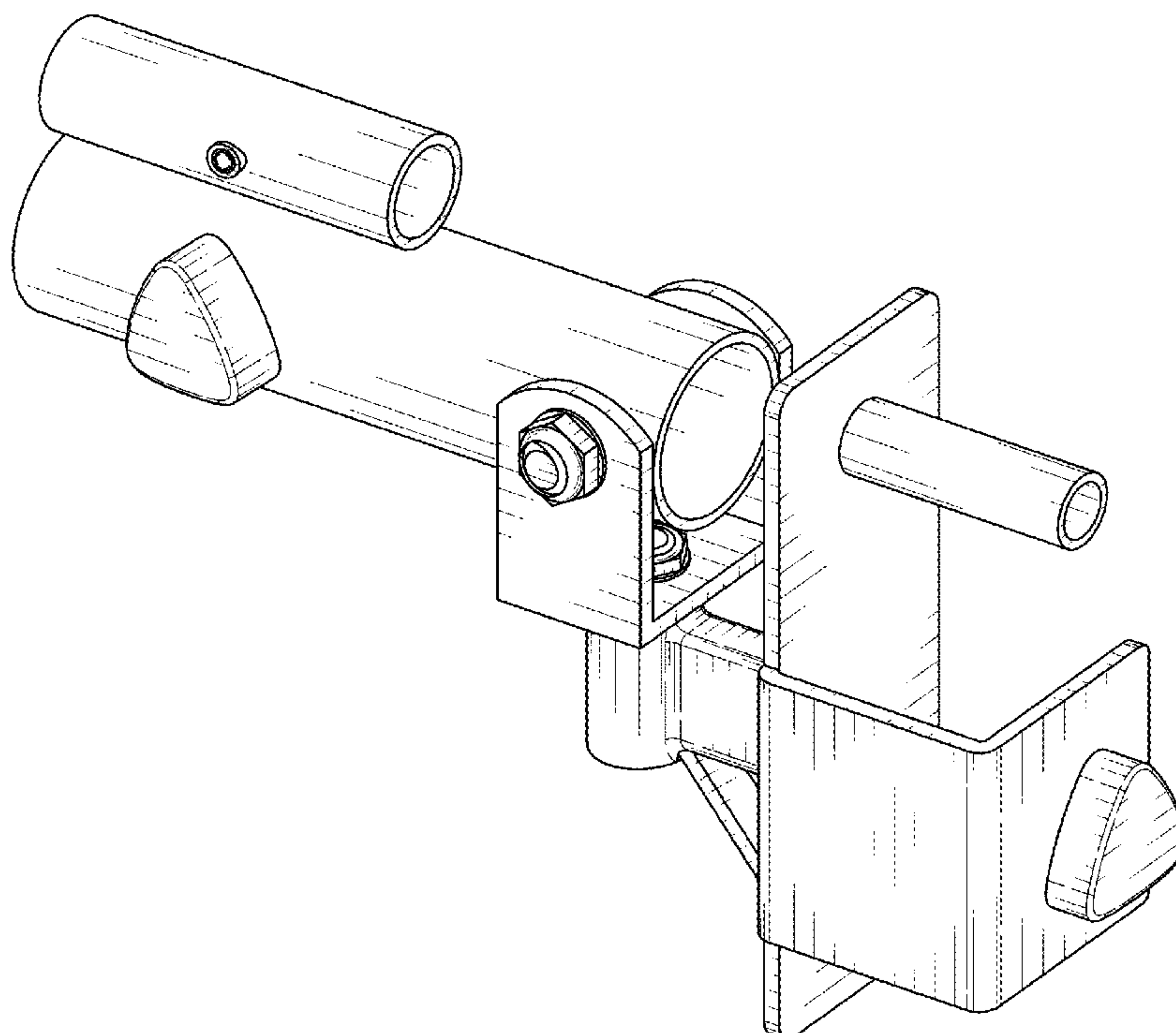
(57) **CLAIM**

The ornamental design for a T bar row power rack attachment, as shown and described.

**DESCRIPTION**

FIG. 1 is a top, rear, right side perspective view;  
 FIG. 2 is a right side view thereof;  
 FIG. 3 is a left side view thereof;  
 FIG. 4 is a front view thereof;  
 FIG. 5 is a rear view thereof;  
 FIG. 6 is a top view thereof;  
 FIG. 7 is a bottom thereof; and,  
 FIG. 8 is an environmental top, rear, right side perspective view thereof.  
 In the drawings, the broken lines are for the purpose of illustrating environment only, and form no part of the claimed design.

**1 Claim, 6 Drawing Sheets**



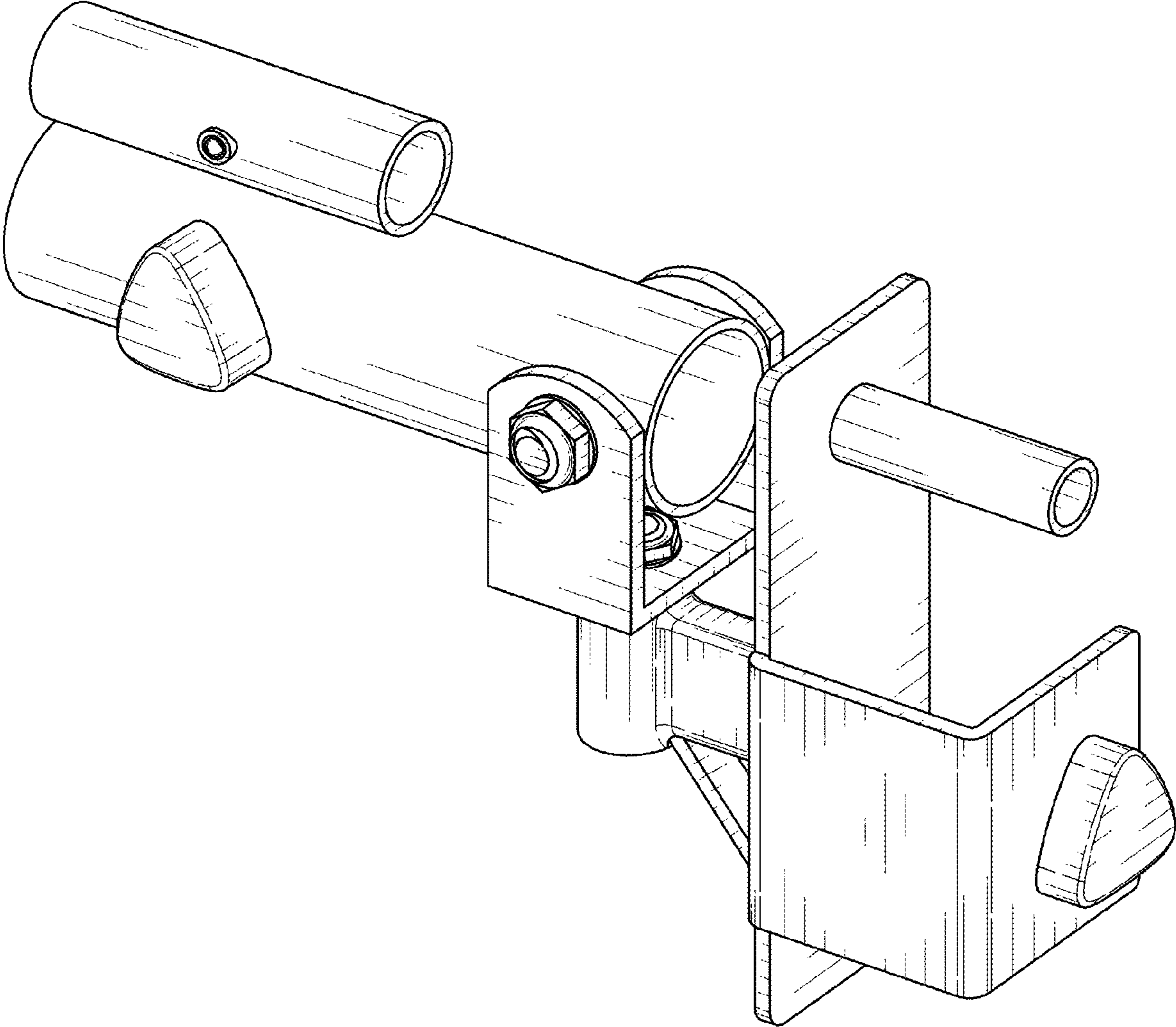


FIG. 1

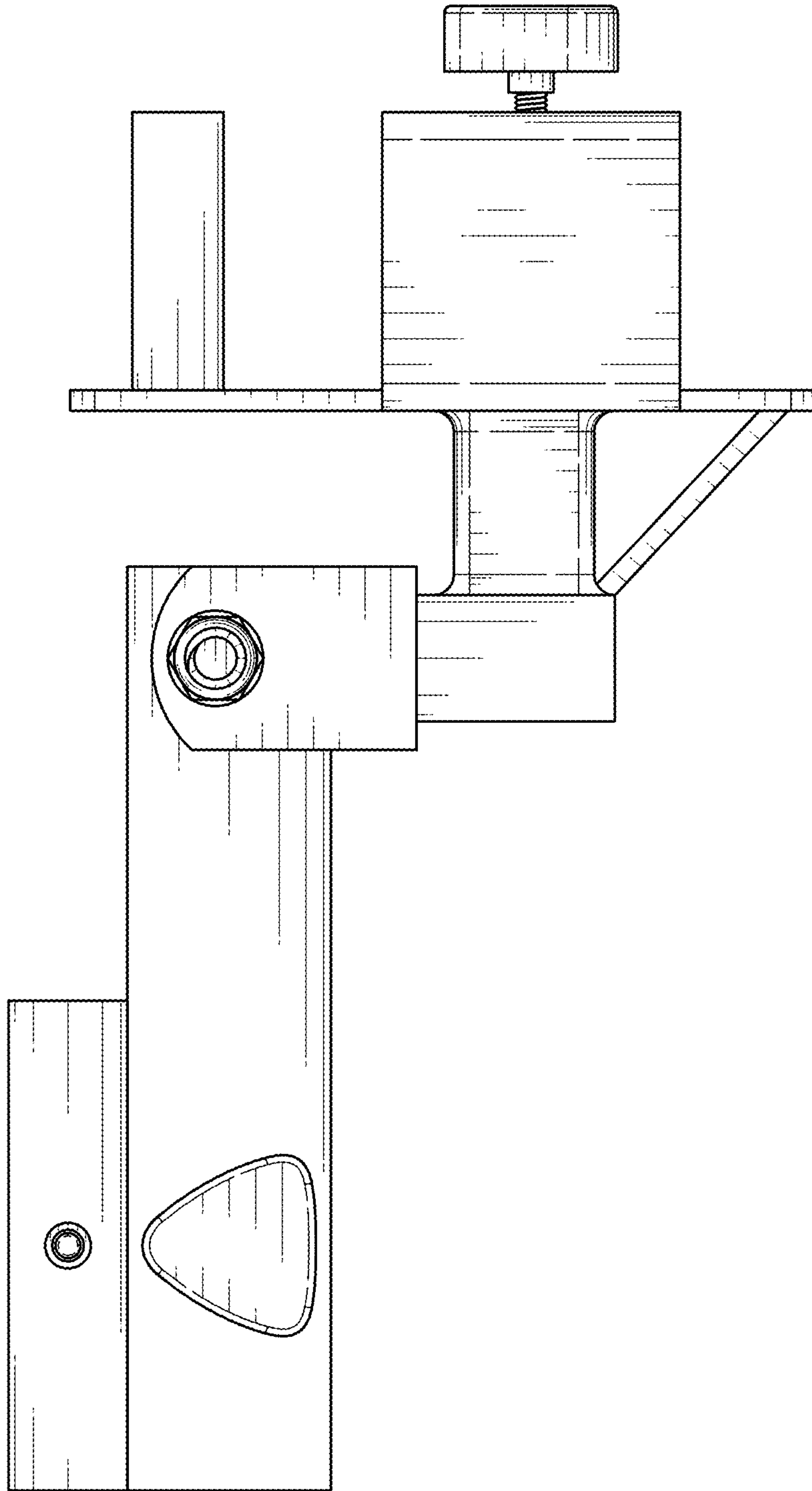


FIG. 2

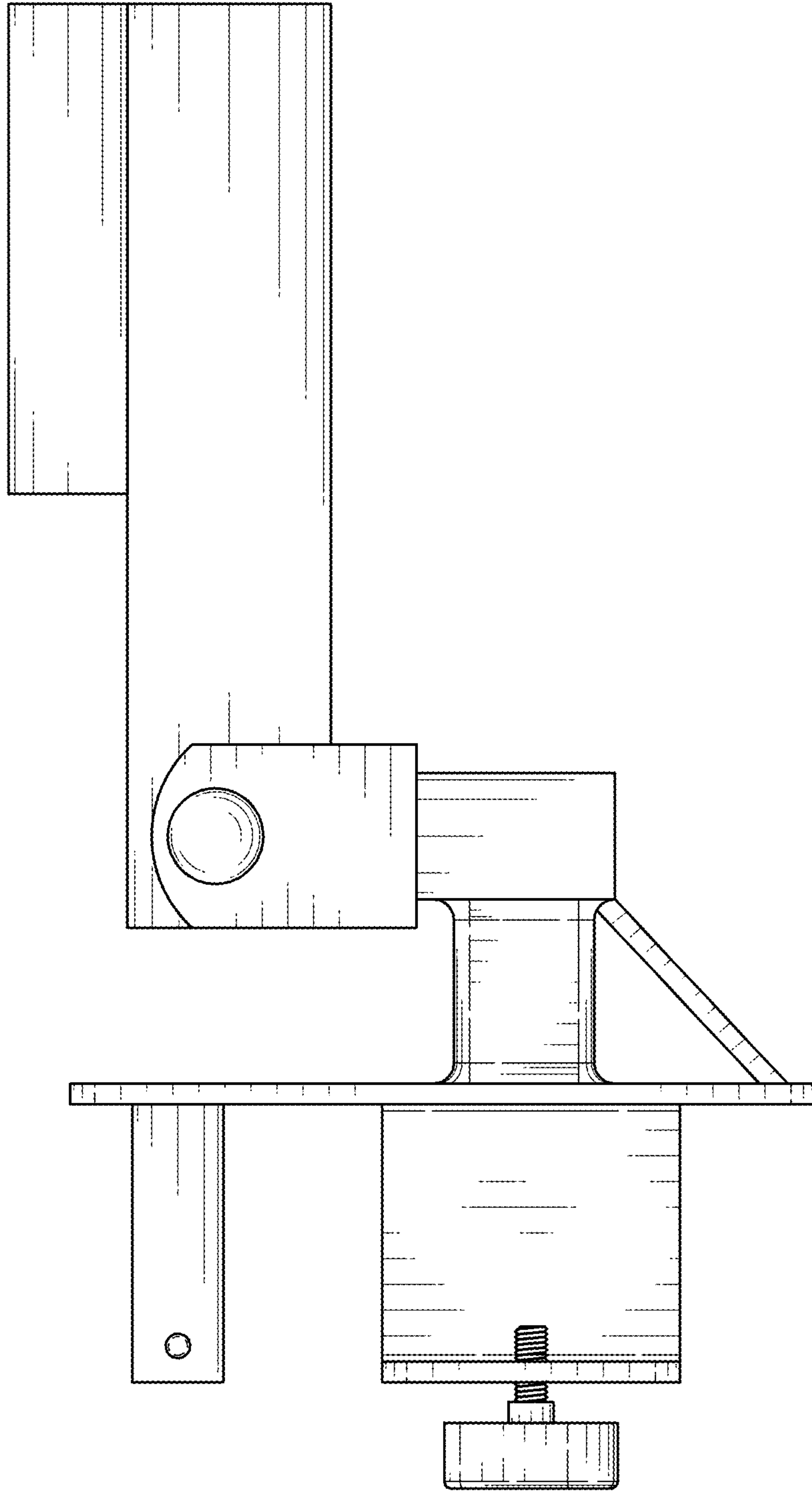


FIG. 3

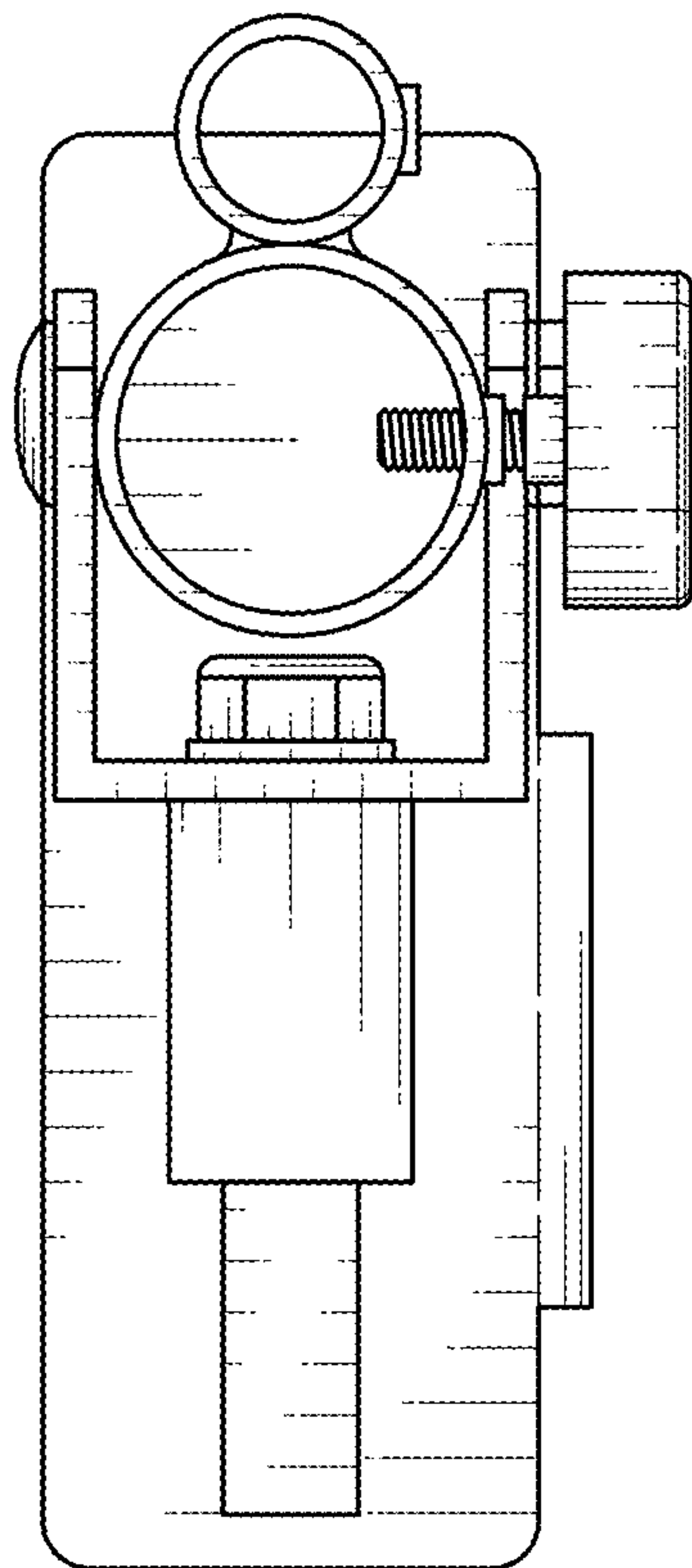


FIG. 4

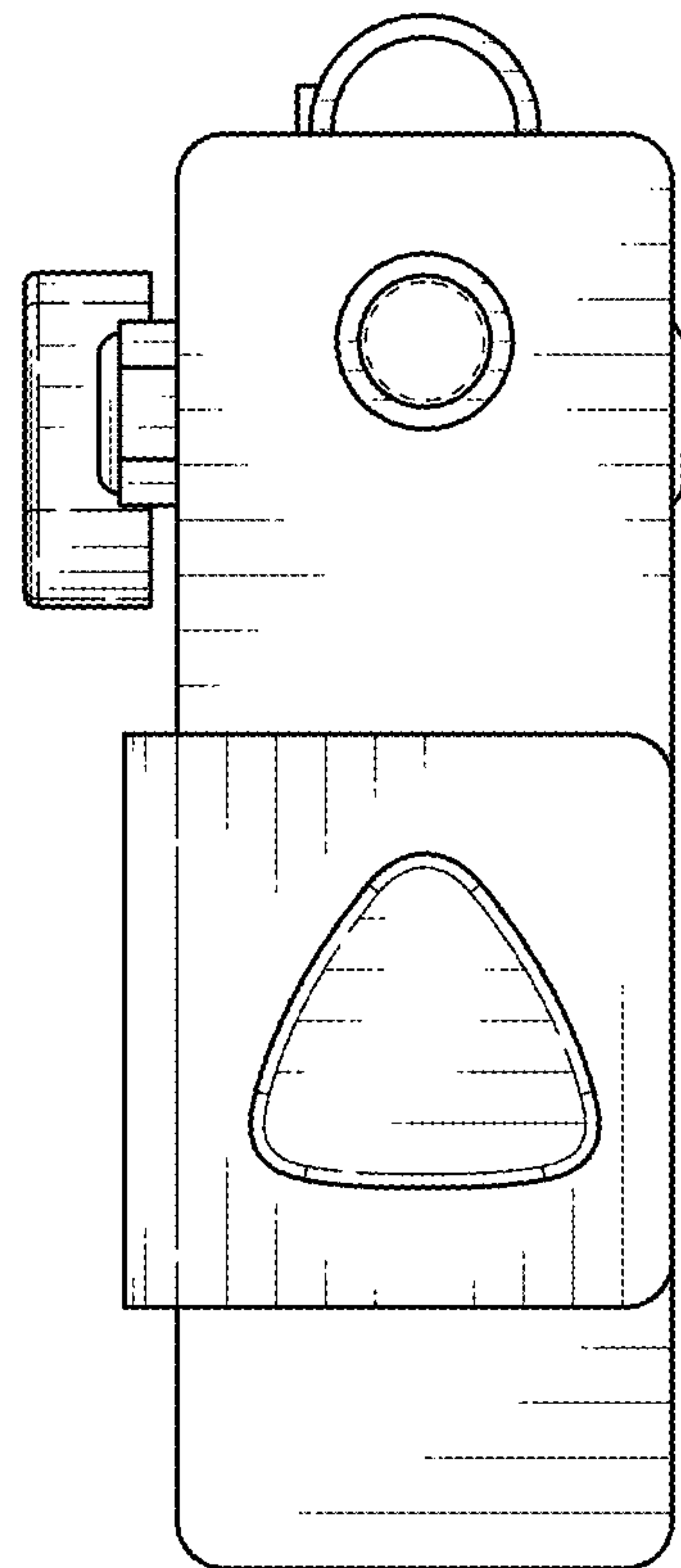


FIG. 5



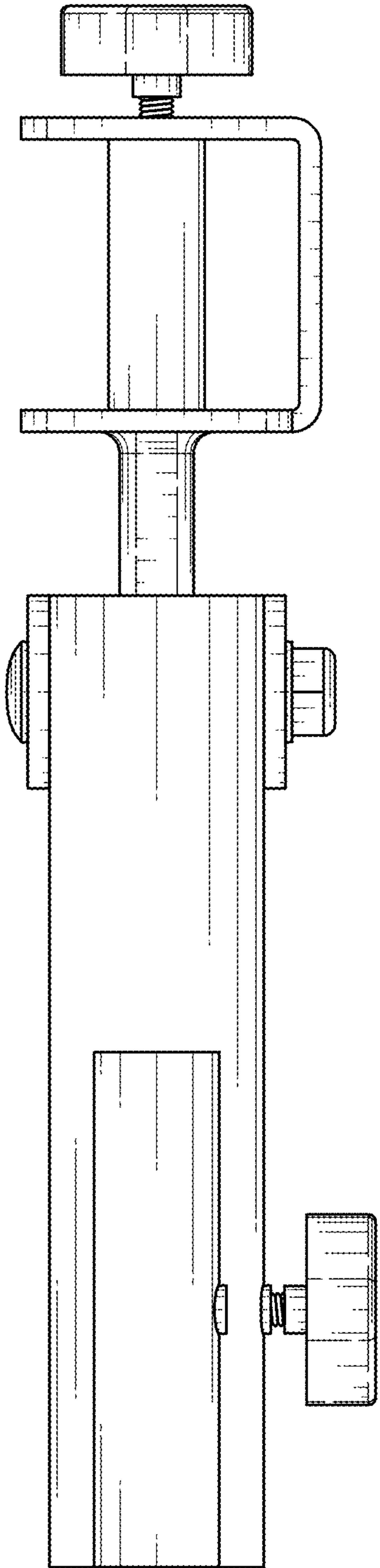


FIG. 6

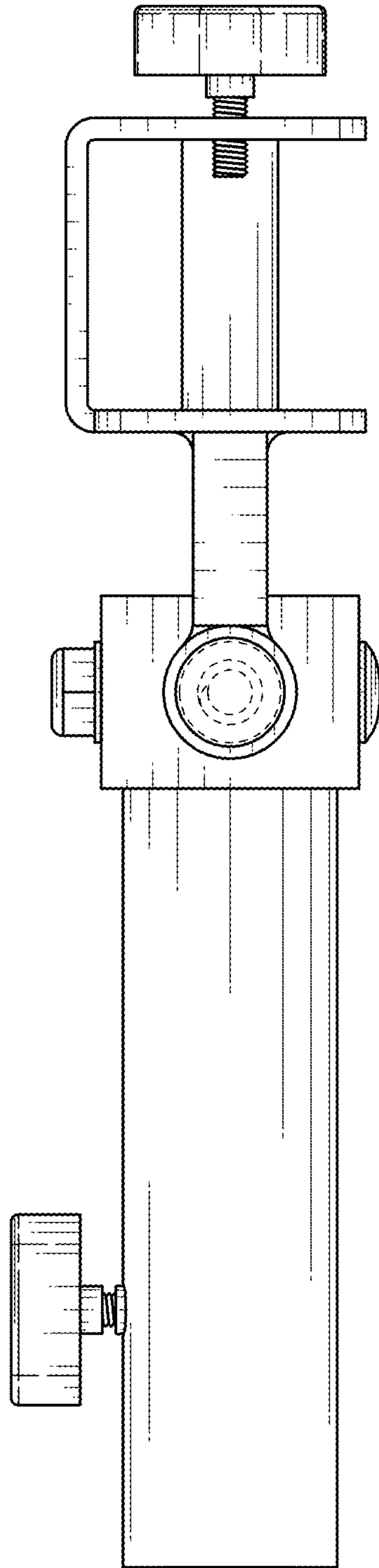


FIG. 7

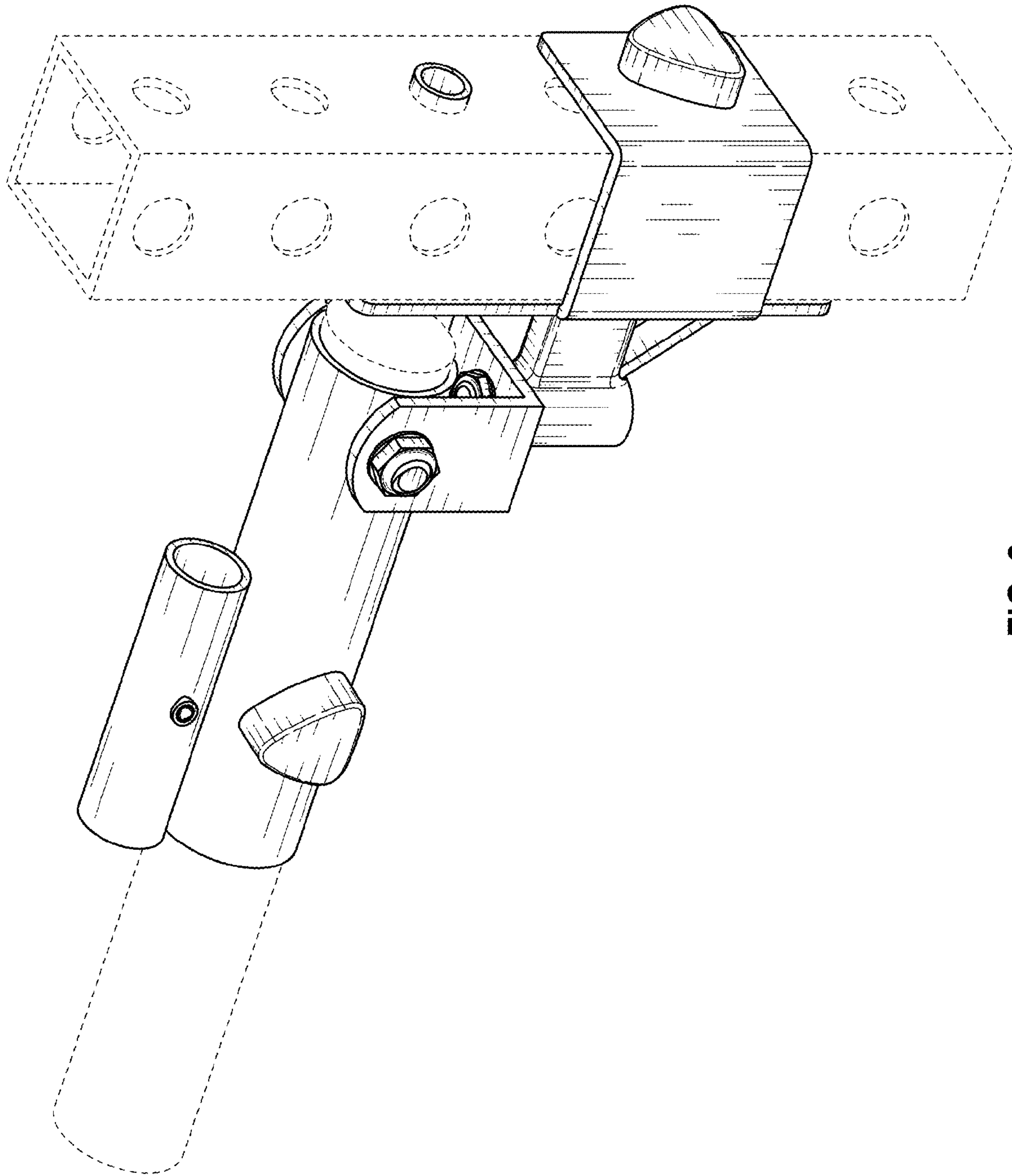


FIG. 8