

US00D971349S

(12) **United States Design Patent** (10) **Patent No.:** **US D971,349 S**
Thomas (45) **Date of Patent:** **** Nov. 29, 2022**

(54) **CHILDREN’S TREADMILL**
(71) Applicant: **Phelan Thomas**, West Des Moines, IA (US)
(72) Inventor: **Phelan Thomas**, West Des Moines, IA (US)
(**) Term: **15 Years**
(21) Appl. No.: **29/794,660**
(22) Filed: **Jun. 14, 2021**
(51) **LOC (13) Cl.** **21-02**
(52) **U.S. Cl.**
USPC **D21/669**
(58) **Field of Classification Search**
USPC D21/662, 668, 669; 482/54
CPC . A63B 22/02; A63B 22/0235; A63B 24/0062;
A63B 24/0087; A63B 2225/09; A47B
2220/06
See application file for complete search history.

D682,372 S 5/2013 Alessandri
D683,802 S 6/2013 Lee
D704,778 S 5/2014 Decommer
D728,045 S 4/2015 Hubler
D739,902 S 9/2015 Hubler
D751,156 S 3/2016 Tasca
D753,776 S 4/2016 Oblamski
9,707,447 B1 7/2017 Lopez Babodilla
D827,733 S 9/2018 Hochstrasser
D831,131 S 10/2018 Zha
D848,685 S 5/2019 Song
D859,543 S 9/2019 Lisi
D873,934 S 1/2020 Mino
D907,722 S * 1/2021 Fang D21/669
D910,123 S 2/2021 Li
D917,636 S 4/2021 Weman
D918,317 S 5/2021 Servadei
(Continued)

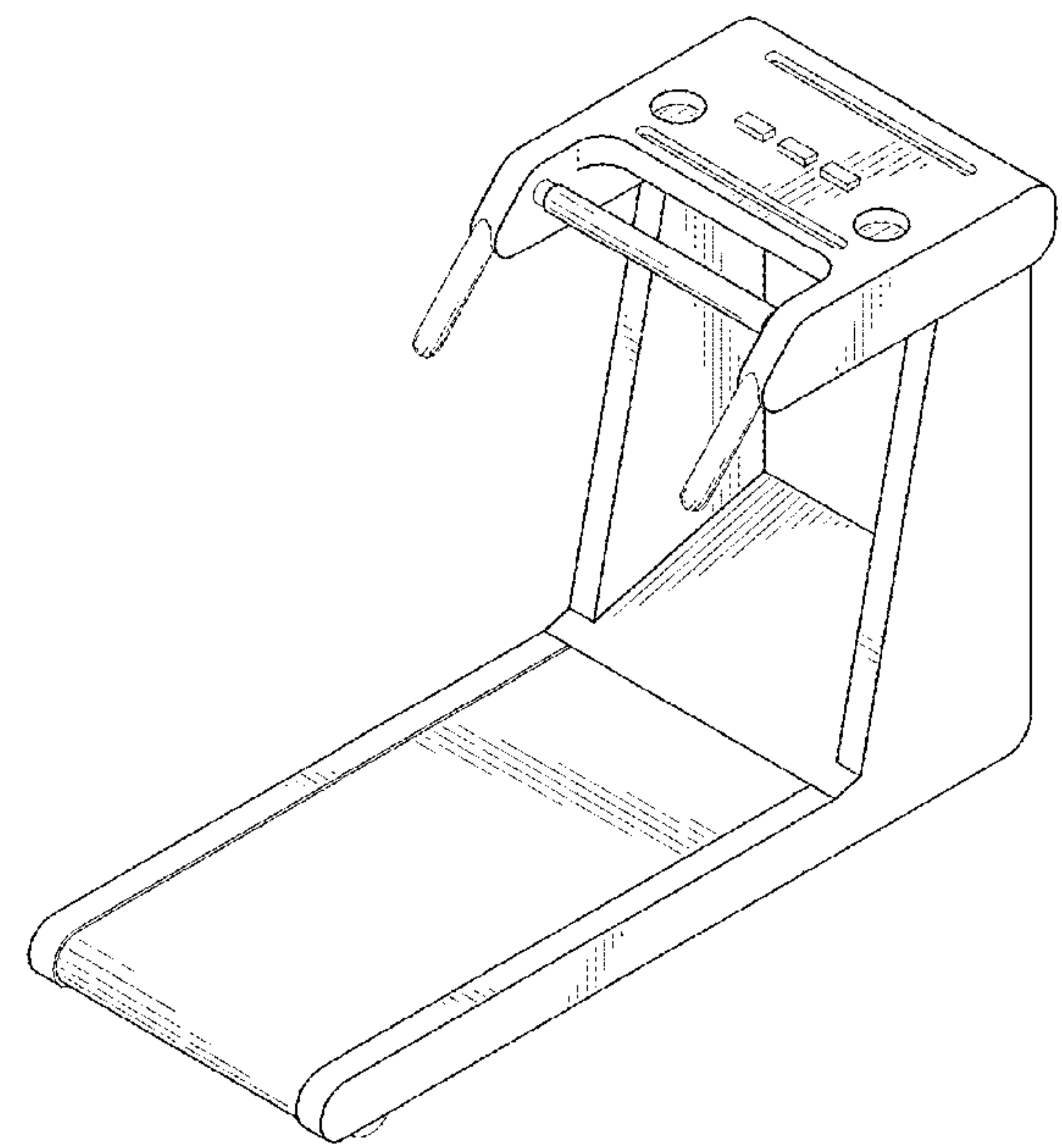
Primary Examiner — Gino Colan
Assistant Examiner — Gregory G McLemore
(74) *Attorney, Agent, or Firm* — Quickpatents, LLC;
Kevin Prince

(57) **CLAIM**
The ornamental design for a children’s treadmill, as shown and described.

(56) **References Cited**
U.S. PATENT DOCUMENTS
2,364,253 A 12/1944 Thomas
D289,667 S 5/1987 Danchulis
D294,378 S 2/1988 Spirk, Jr.
D348,493 S 7/1994 Ashby
D406,621 S 3/1999 Piaget
D416,596 S 11/1999 Armstrong
D420,713 S 2/2000 Afilani
D424,138 S 5/2000 Joyner
D482,085 S 11/2003 Eyler
D521,577 S 5/2006 Wu
D531,683 S 11/2006 Choi
D534,973 S 1/2007 Flick
D585,506 S 1/2009 Olason
D607,067 S 12/2009 Wu
D624,975 S 10/2010 Flick
D657,833 S 4/2012 Cloutier

DESCRIPTION
FIG. 1 is a perspective view of a children’s treadmill, showing my new design;
FIG. 2 is a right-side elevational view thereof;
FIG. 3 is a left-side elevational view thereof;
FIG. 4 is a top plan view thereof;
FIG. 5 is a bottom plan view thereof;
FIG. 6 is a rear elevational view thereof; and,
FIG. 7 is a front elevational view thereof.
The broken lines shown in the figures are for the purpose of illustrating portions of the children’s treadmill and form no part of the claimed design.

1 Claim, 5 Drawing Sheets



(56)

References Cited

U.S. PATENT DOCUMENTS

2013/0116095 A1* 5/2013 Hsieh A63B 22/02
482/54
2015/0202487 A1* 7/2015 Wu A63B 22/02
482/54
2017/0120102 A1* 5/2017 Chen A63B 22/02
2017/0340917 A1 11/2017 Chang

* cited by examiner

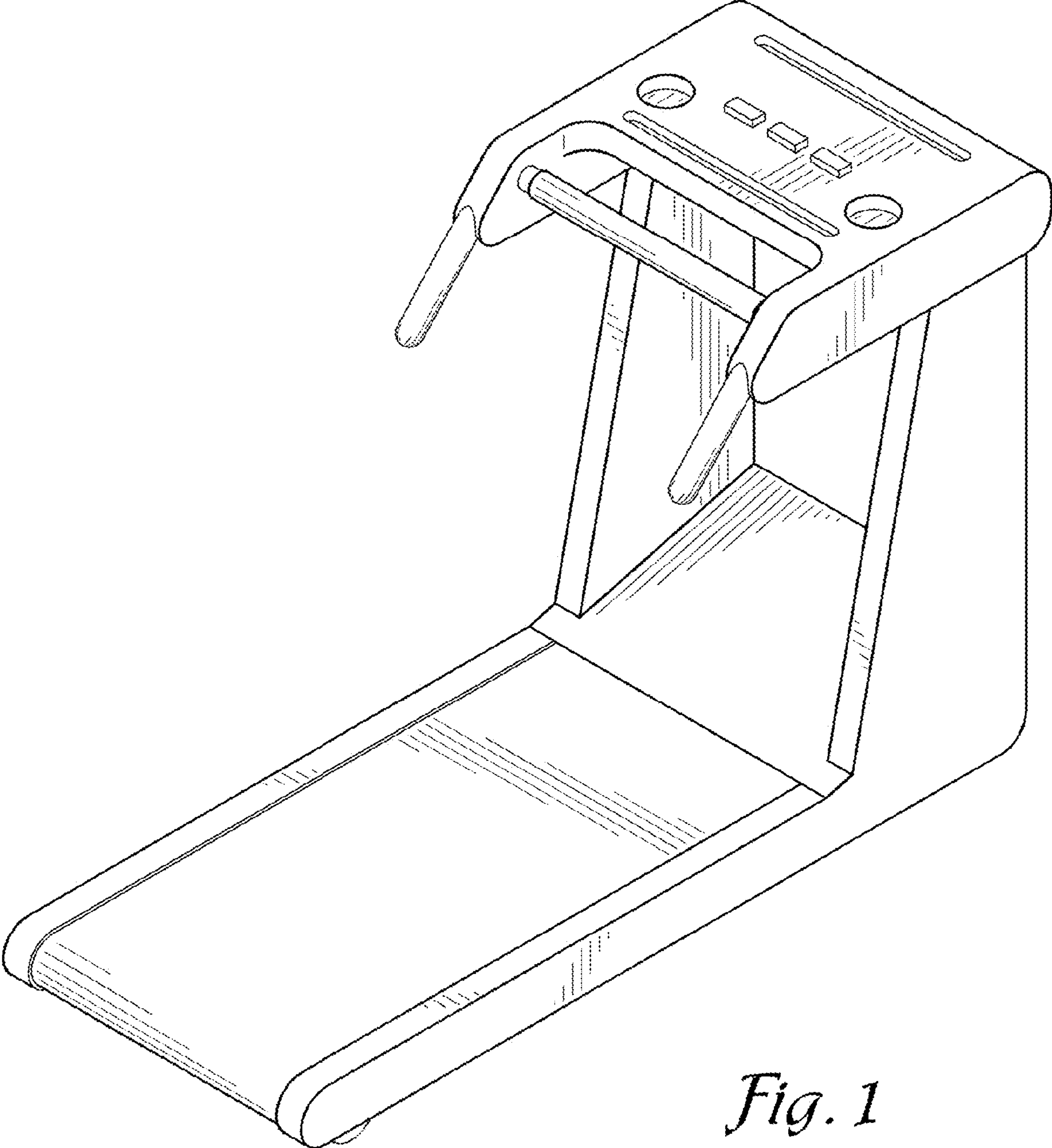


Fig. 1

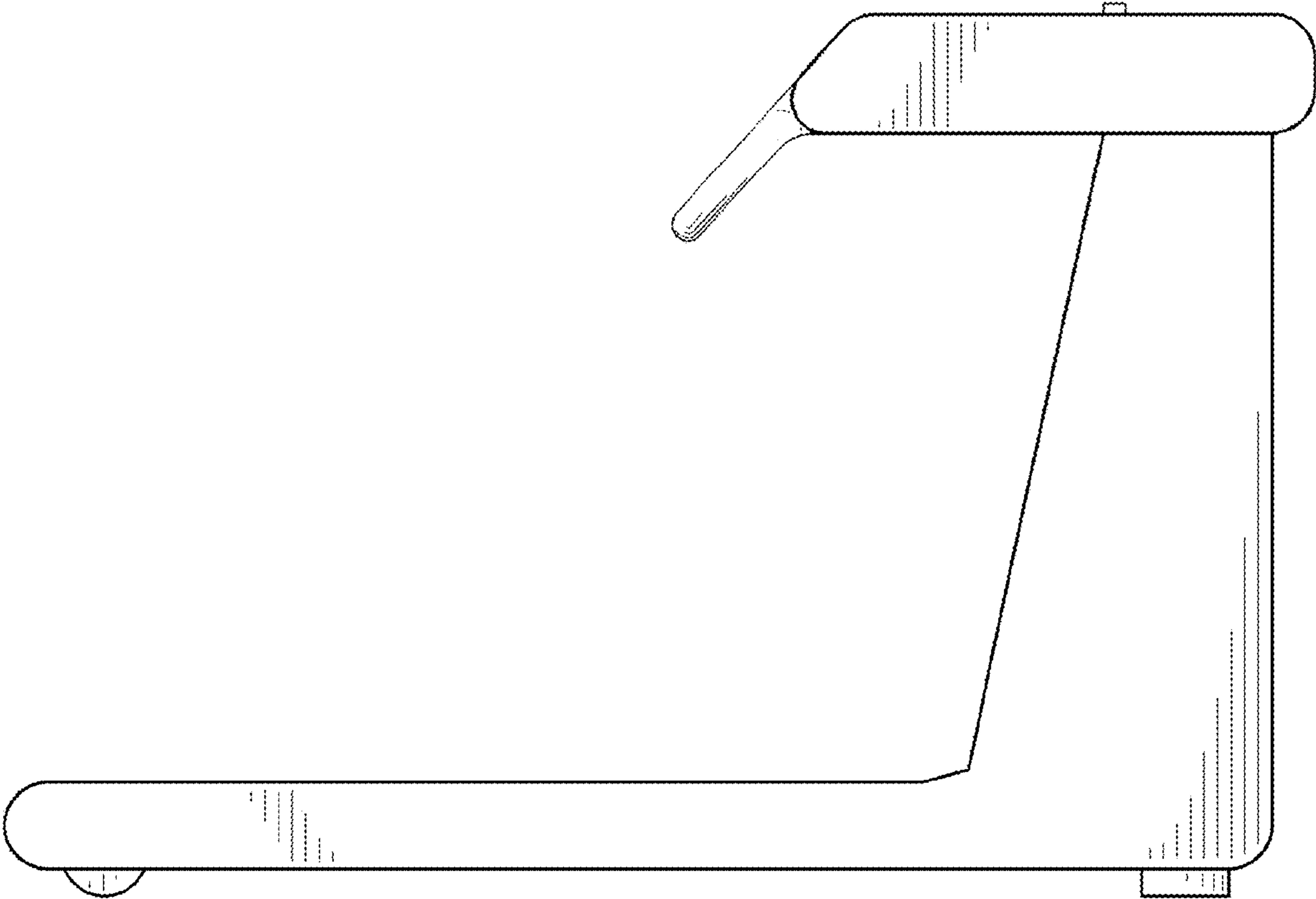


Fig. 2

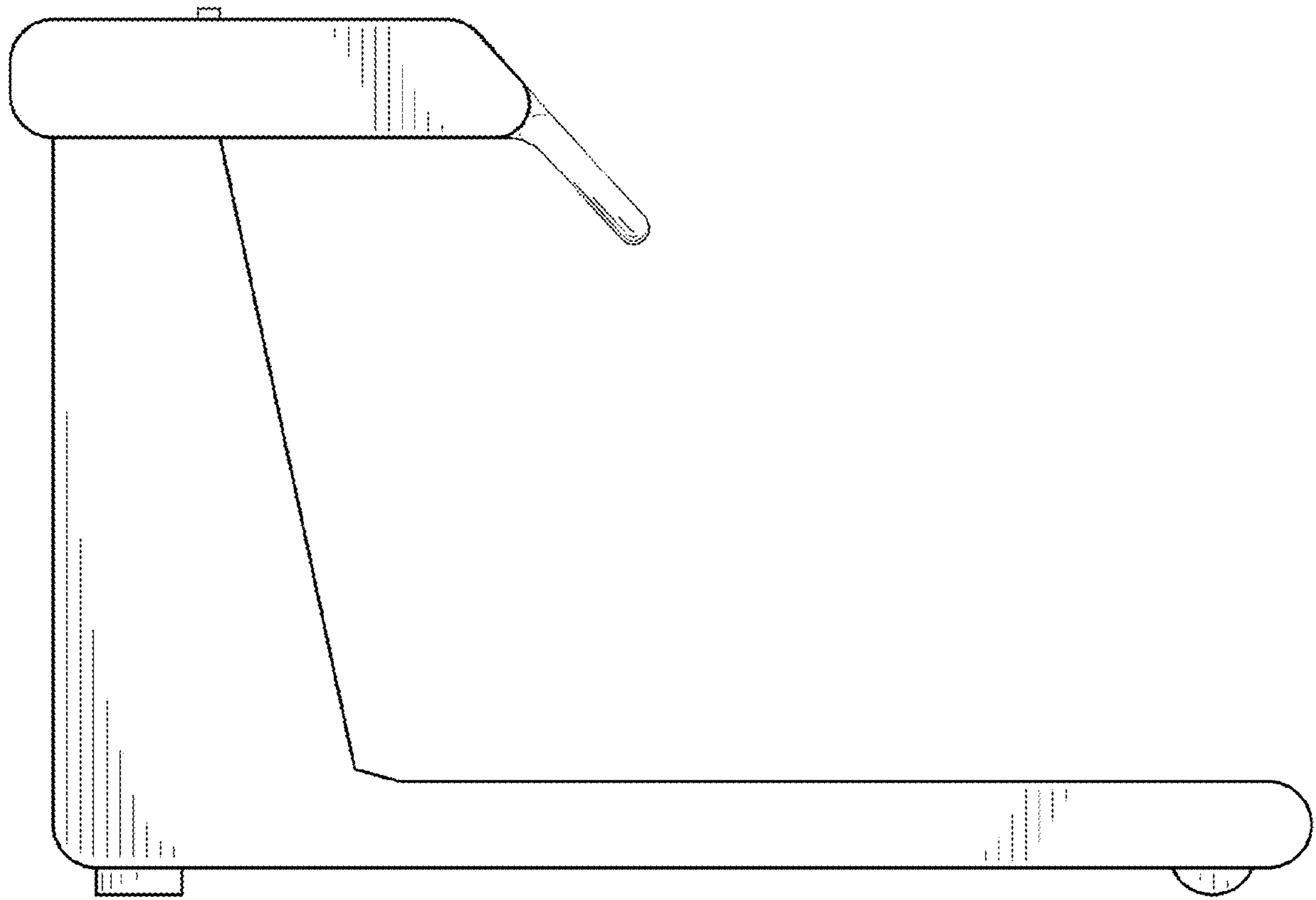


Fig. 3

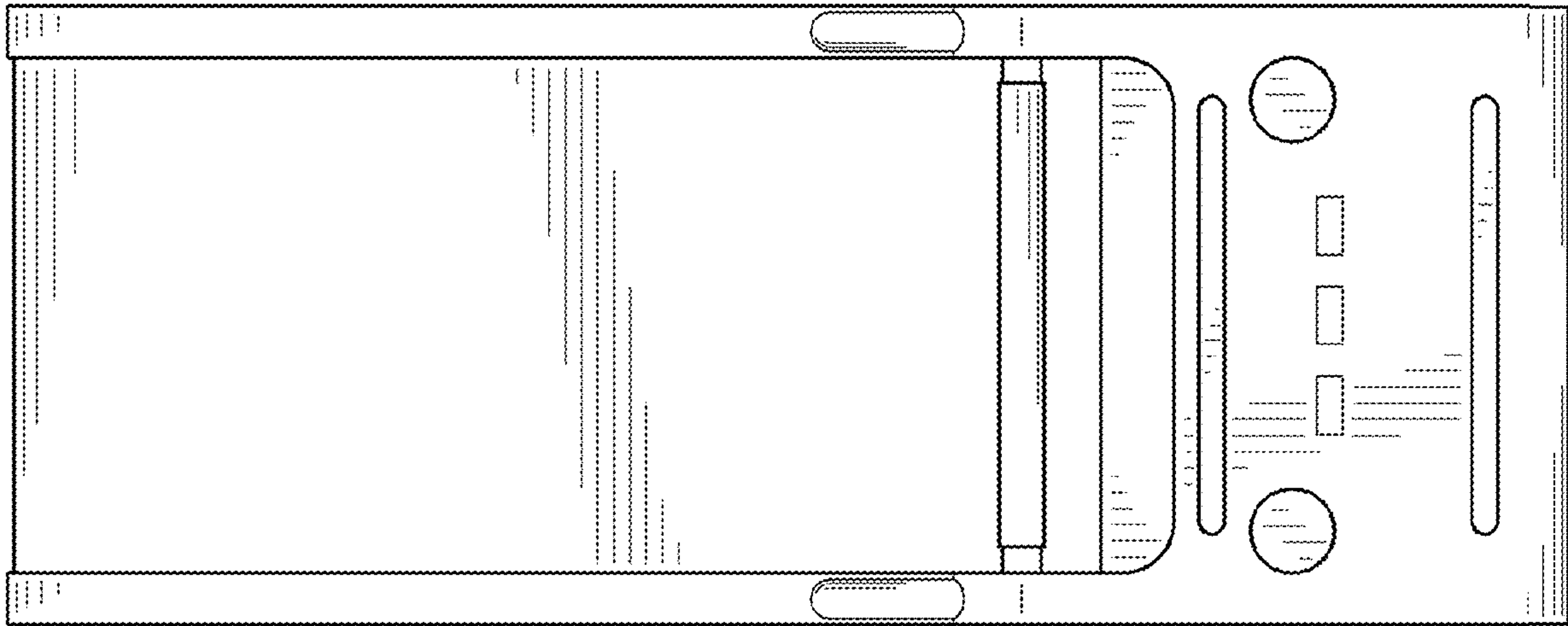


Fig. 4

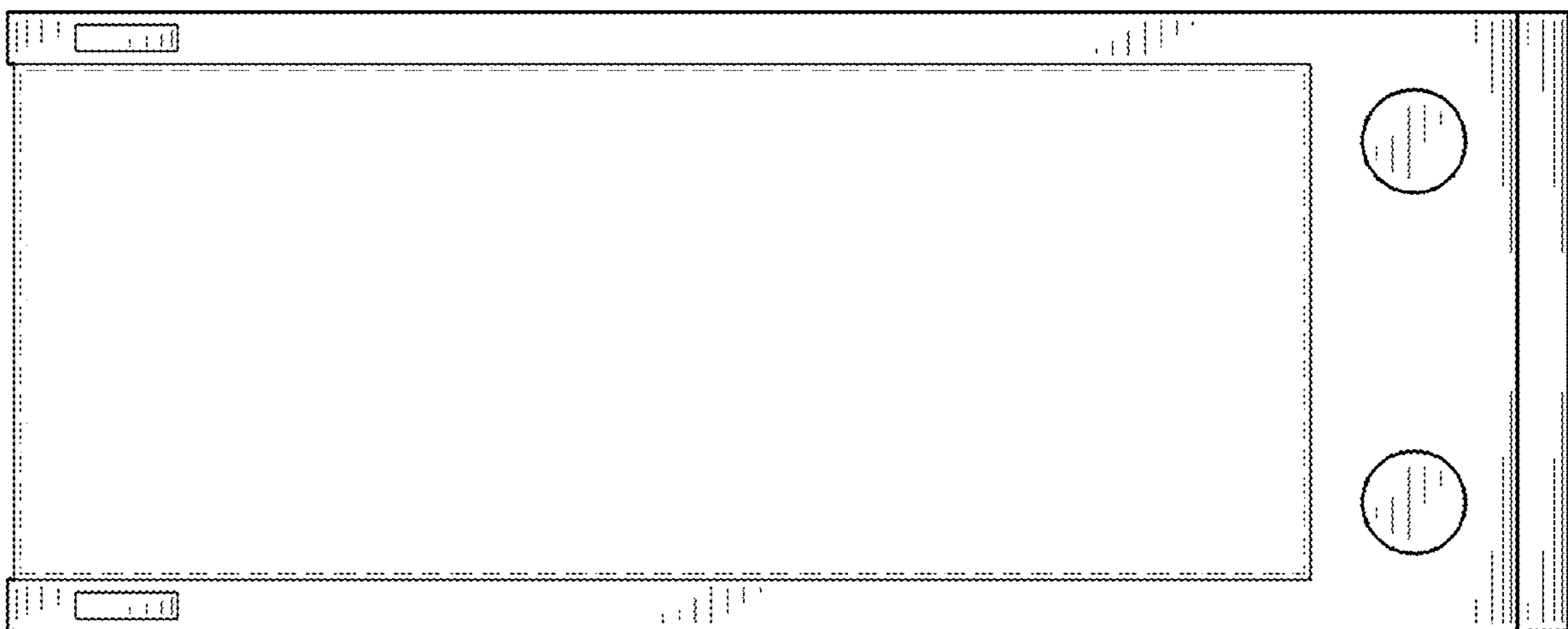


Fig. 5

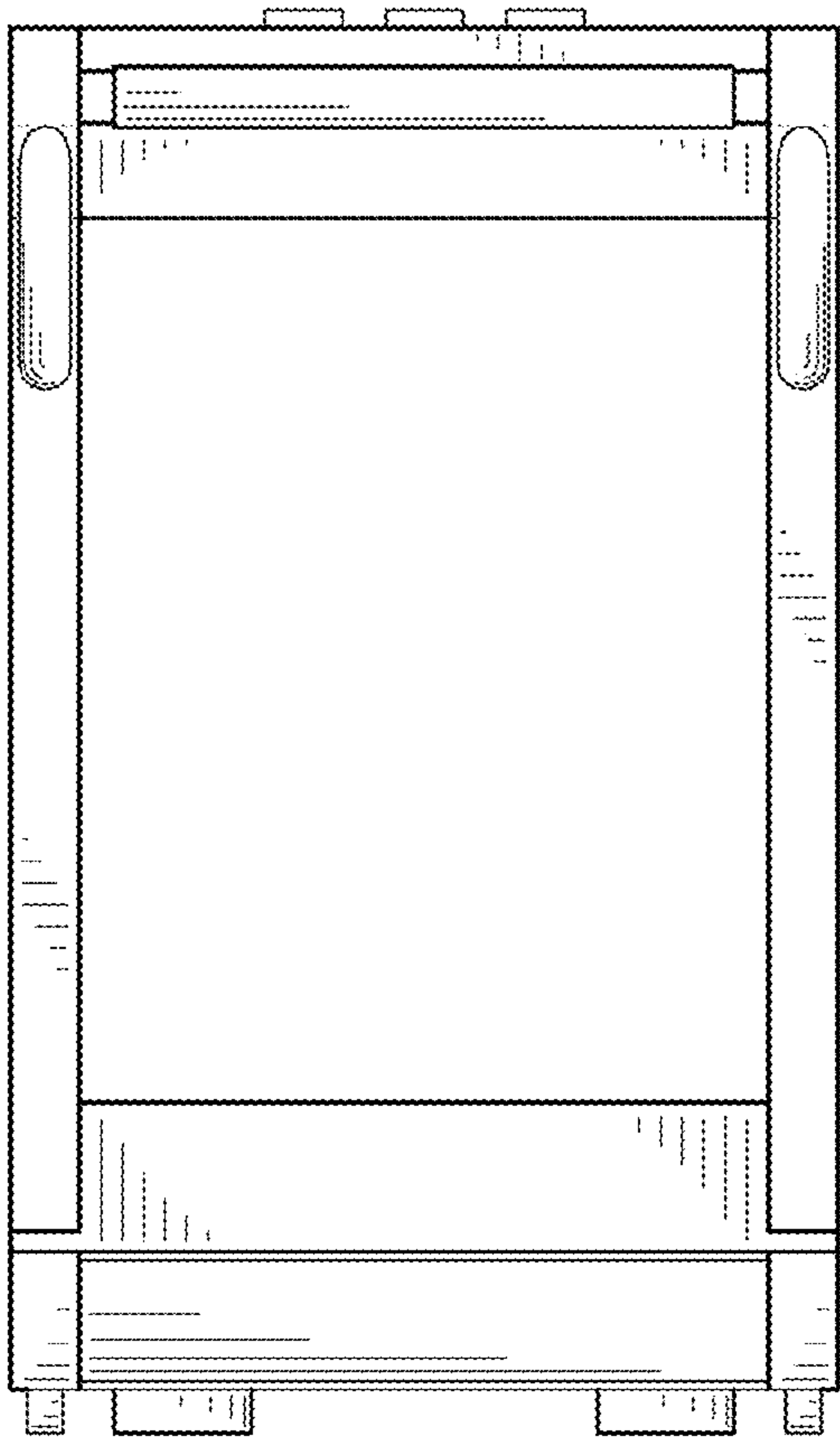


Fig. 6

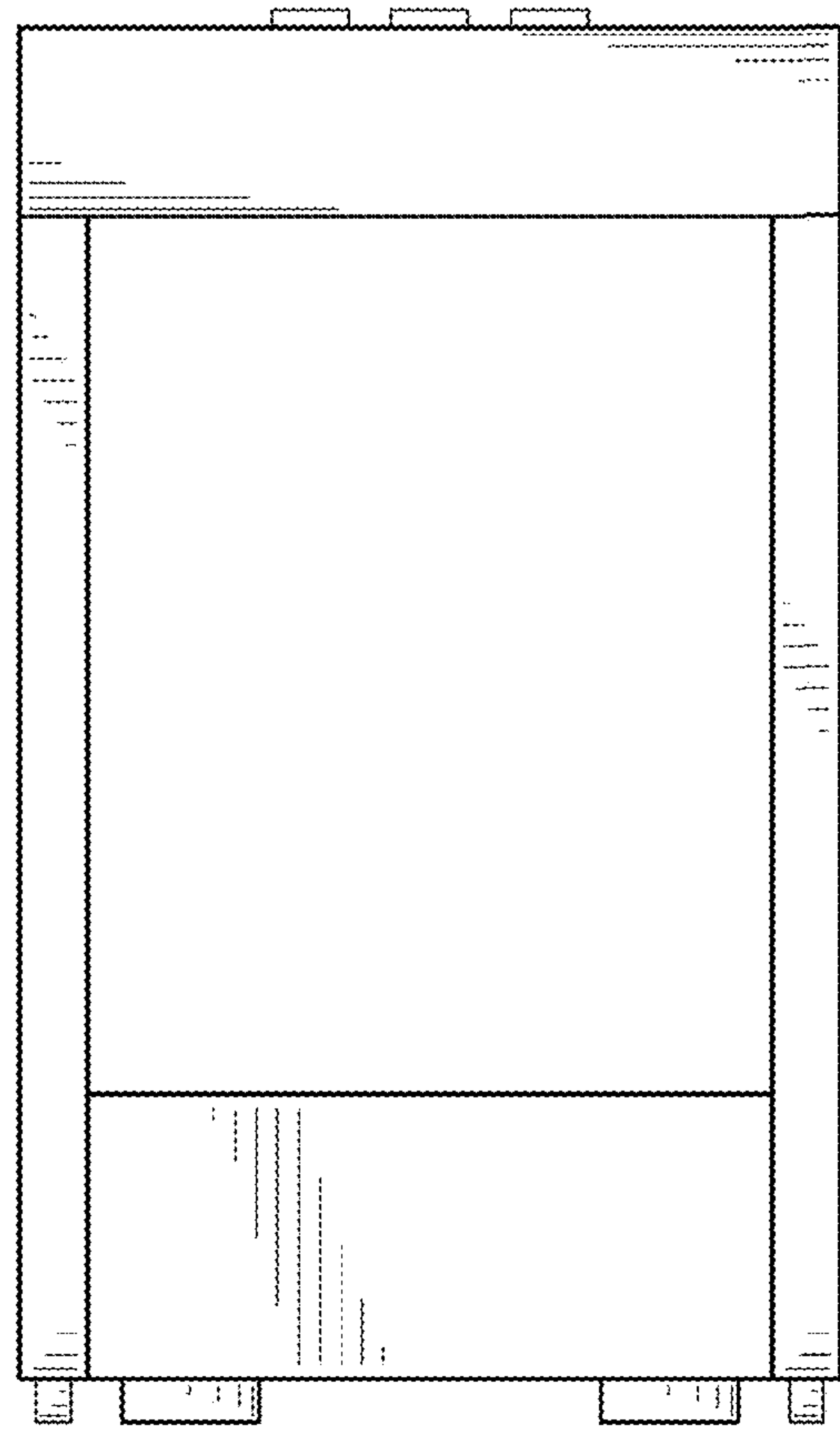


Fig. 7