



US00D971345S

(12) **United States Design Patent** (10) **Patent No.:** **US D971,345 S**  
**Wang** (45) **Date of Patent:** **\*\* Nov. 29, 2022**

(54) **TOY TRAIN**

(71) Applicant: **Lixiong Wang**, Shantou (CN)

(72) Inventor: **Lixiong Wang**, Shantou (CN)

(\*\*) Term: **15 Years**

(21) Appl. No.: **29/825,226**

(22) Filed: **Jan. 30, 2022**

(51) **LOC (13) Cl.** ..... **21-01**

(52) **U.S. Cl.**  
USPC ..... **D21/541**

(58) **Field of Classification Search**  
USPC ..... D21/540, 541; D12/36, 38-40  
CPC ..... A63H 19/02; A63H 19/06; A63H 19/08;  
A63H 19/10  
See application file for complete search history.

(56) **References Cited**

**U.S. PATENT DOCUMENTS**

D41,707 S *	8/1911	Grant	.....	D12/38
1,001,587 A *	8/1911	Wheelock	.....	A63H 19/22
				105/157.2
D217,374 S *	4/1970	Hubiak	.....	D21/427
D387,820 S *	12/1997	Park	.....	D21/541
D413,944 S *	9/1999	Park	.....	D21/541
D425,946 S *	5/2000	Wei	.....	D21/541
D533,907 S *	12/2006	Yuen	.....	D21/541
D679,761 S *	4/2013	Nava	.....	D21/427
D751,653 S	3/2016	Champ		
D846,658 S *	4/2019	Gerstner	.....	D21/541
D936,754 S *	11/2021	Wang	.....	A63H 19/22
				D21/541

**FOREIGN PATENT DOCUMENTS**

CN	202130071690.0	*	2/2021
CN	02130748964.5	*	11/2021

**OTHER PUBLICATIONS**

Hot Bee Model Train, Oct. 15, 2021, amazon.com, retrieved Sep. 28, 2022, [https://www.amazon.com/Hot-Bee-Model-Train-Boys/dp/B096VK933H/ref=cm\\_cr\\_arp\\_d\\_pl\\_foot\\_top?ie=UTF8](https://www.amazon.com/Hot-Bee-Model-Train-Boys/dp/B096VK933H/ref=cm_cr_arp_d_pl_foot_top?ie=UTF8) (Year: 2021).\*  
Babyhome, Baby Home Kids Train Set, Nov. 5, 2020, amazon.com, retrieved Sep. 28, 2022, [https://www.amazon.com/%EF%BC%8CElectric-Smokes-Lights-Locomotive-Carriages/dp/B08HD91WZ8/ref=cm\\_cr\\_arp\\_d\\_pl\\_foot\\_top?ie=UTF8&th=1](https://www.amazon.com/%EF%BC%8CElectric-Smokes-Lights-Locomotive-Carriages/dp/B08HD91WZ8/ref=cm_cr_arp_d_pl_foot_top?ie=UTF8&th=1) (Year: 2020).\*

\* cited by examiner

*Primary Examiner* — Katherine A Holbrow

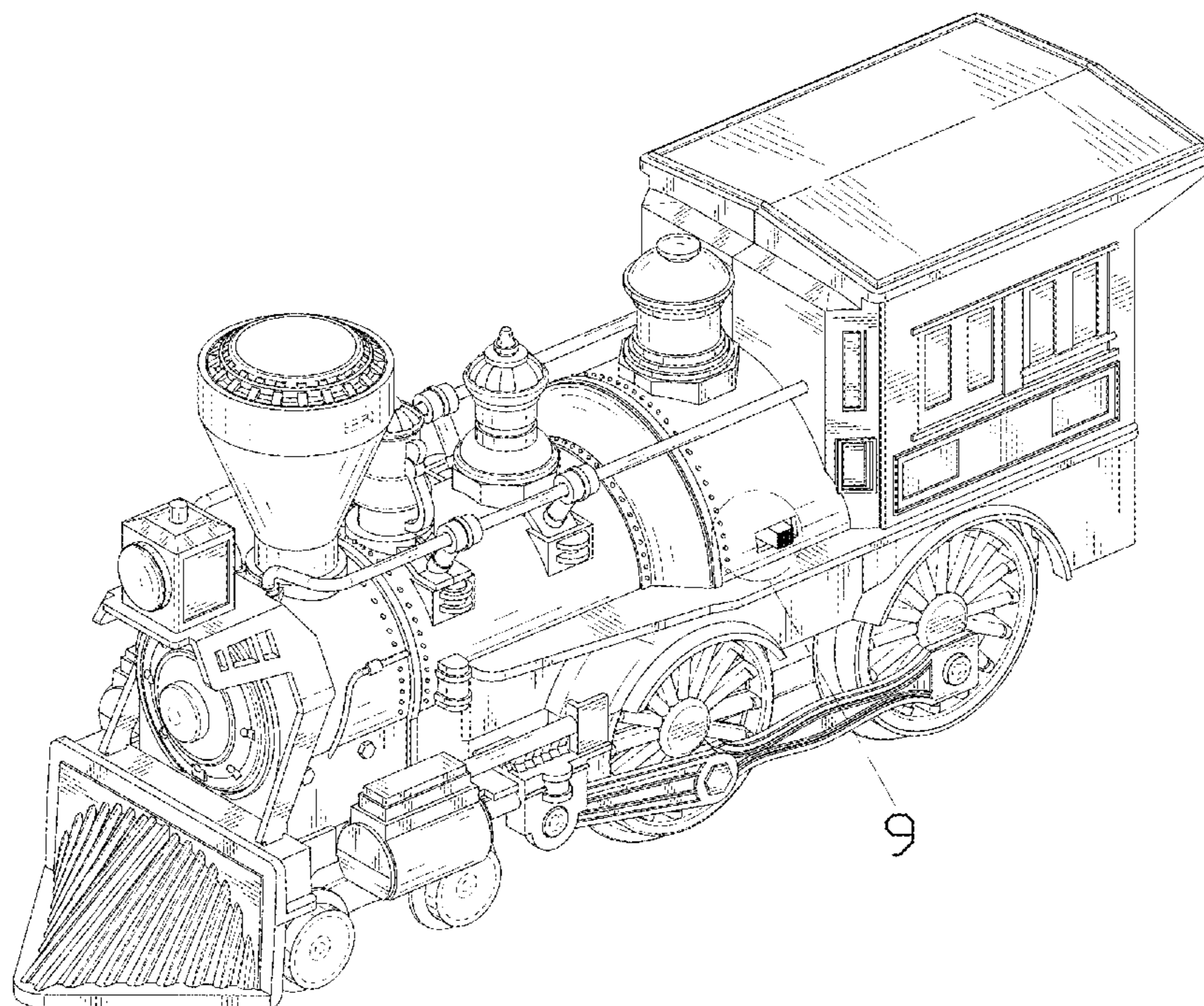
(57) **CLAIM**

The ornamental design for a toy train, as shown and described.

**DESCRIPTION**

FIG. 1 is a perspective view of a toy train showing my new design;  
FIG. 2 is another perspective view thereof;  
FIG. 3 is a front elevational view thereof;  
FIG. 4 is a rear elevational view thereof;  
FIG. 5 is a left side elevational view thereof;  
FIG. 6 is a right side elevational view thereof;  
FIG. 7 is a top plan view thereof;  
FIG. 8 is a bottom plan view thereof;  
FIG. 9 is an enlarged view of portion 9 shown in FIG. 1; and,  
FIG. 10 is an enlarged view of portion 10 shown in FIG. 2.  
The dash-dash broken lines in the drawings depict portions of the toy train that form no part of the claimed design. The dot-dash broken lines represent boundaries of the enlarged portions and form no part of the claimed design.

**1 Claim, 10 Drawing Sheets**



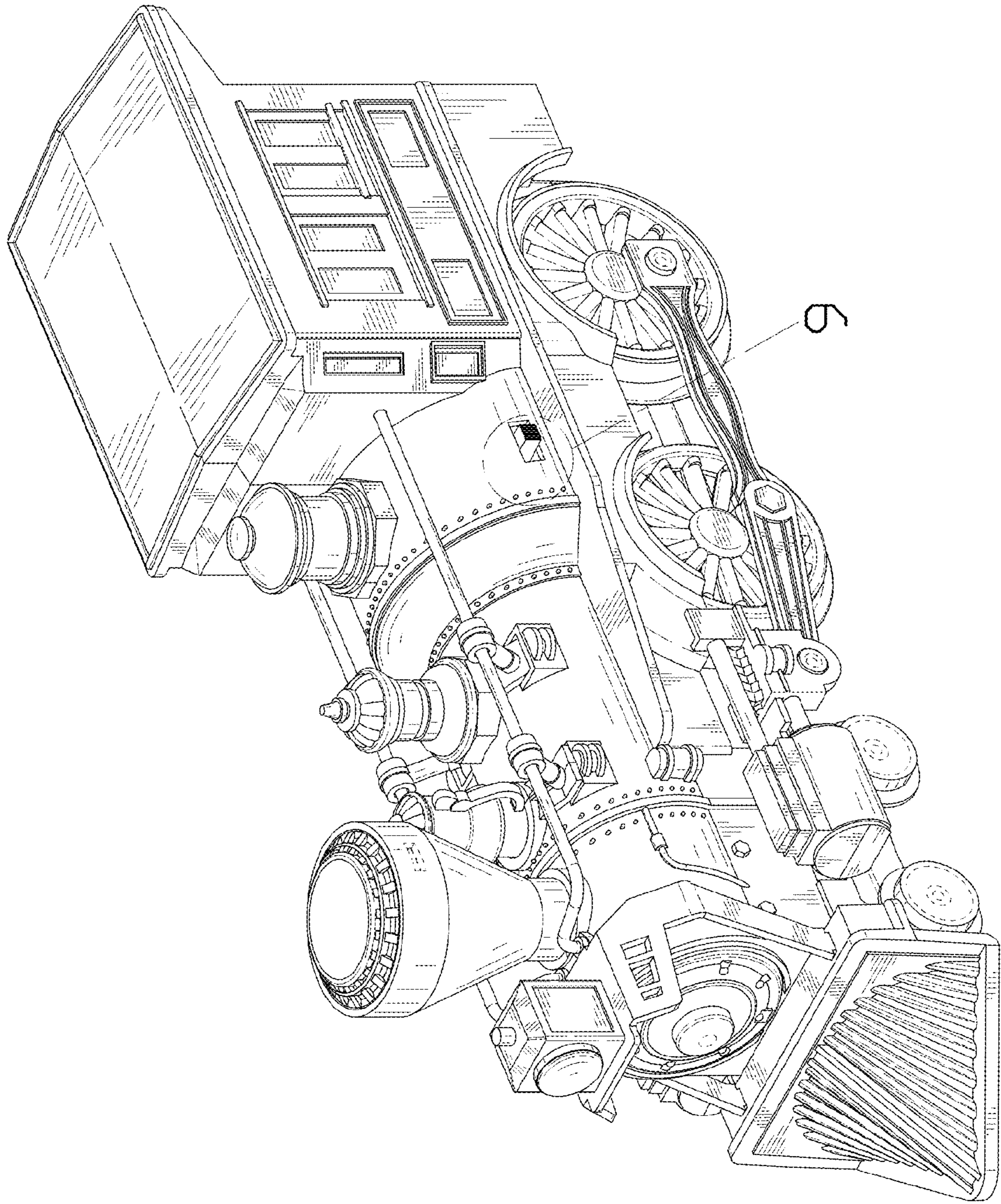
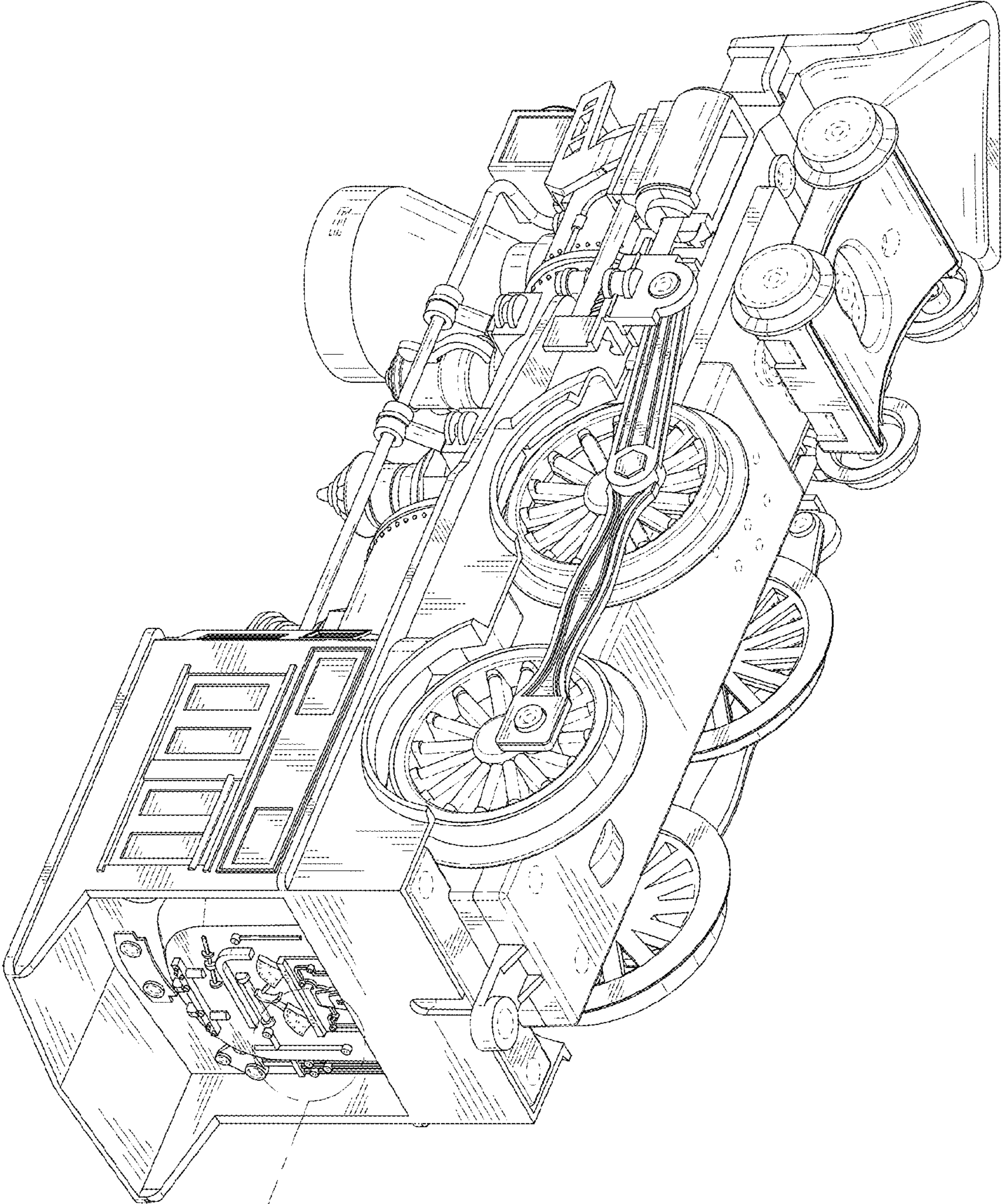


FIG. 1



10

FIG. 2

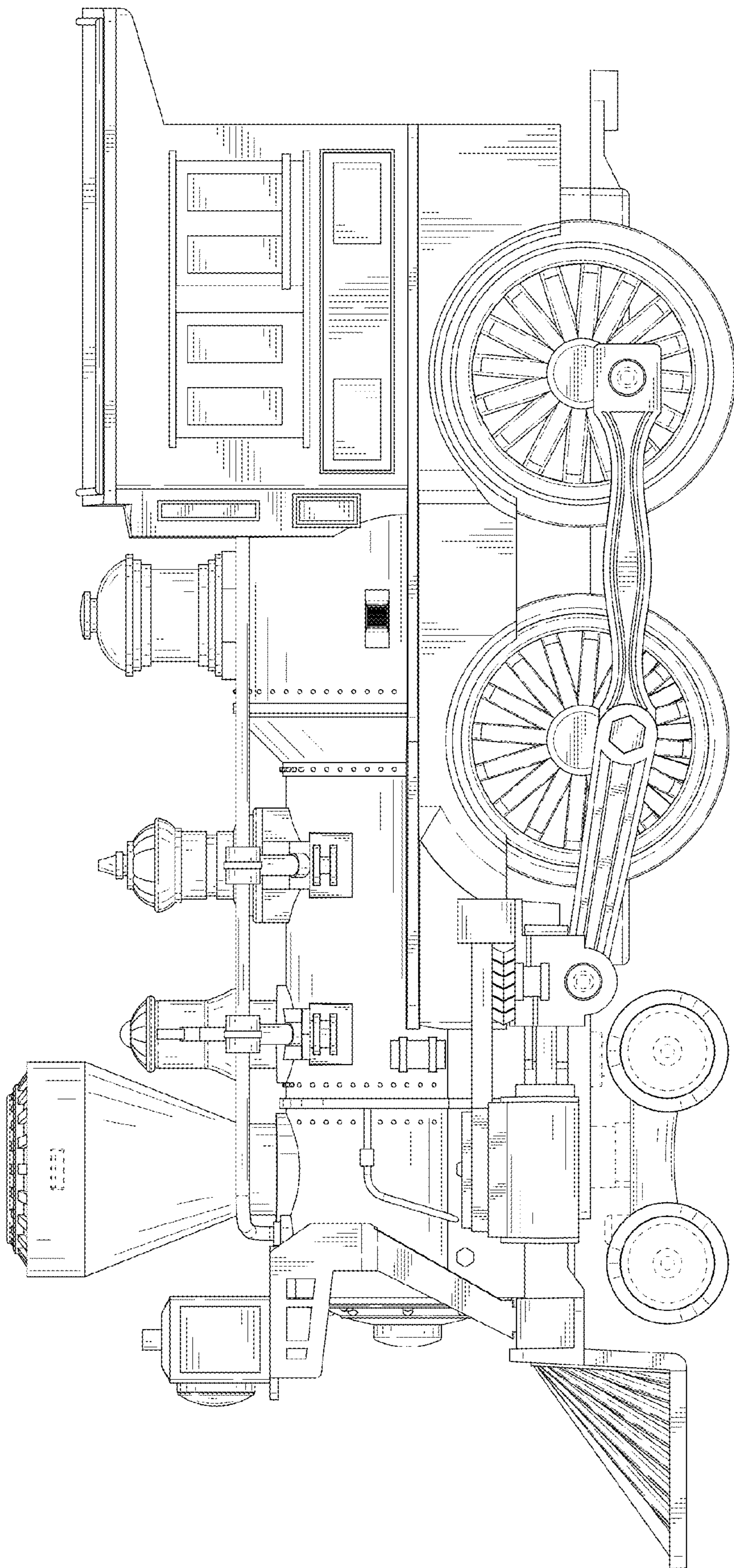


FIG. 3

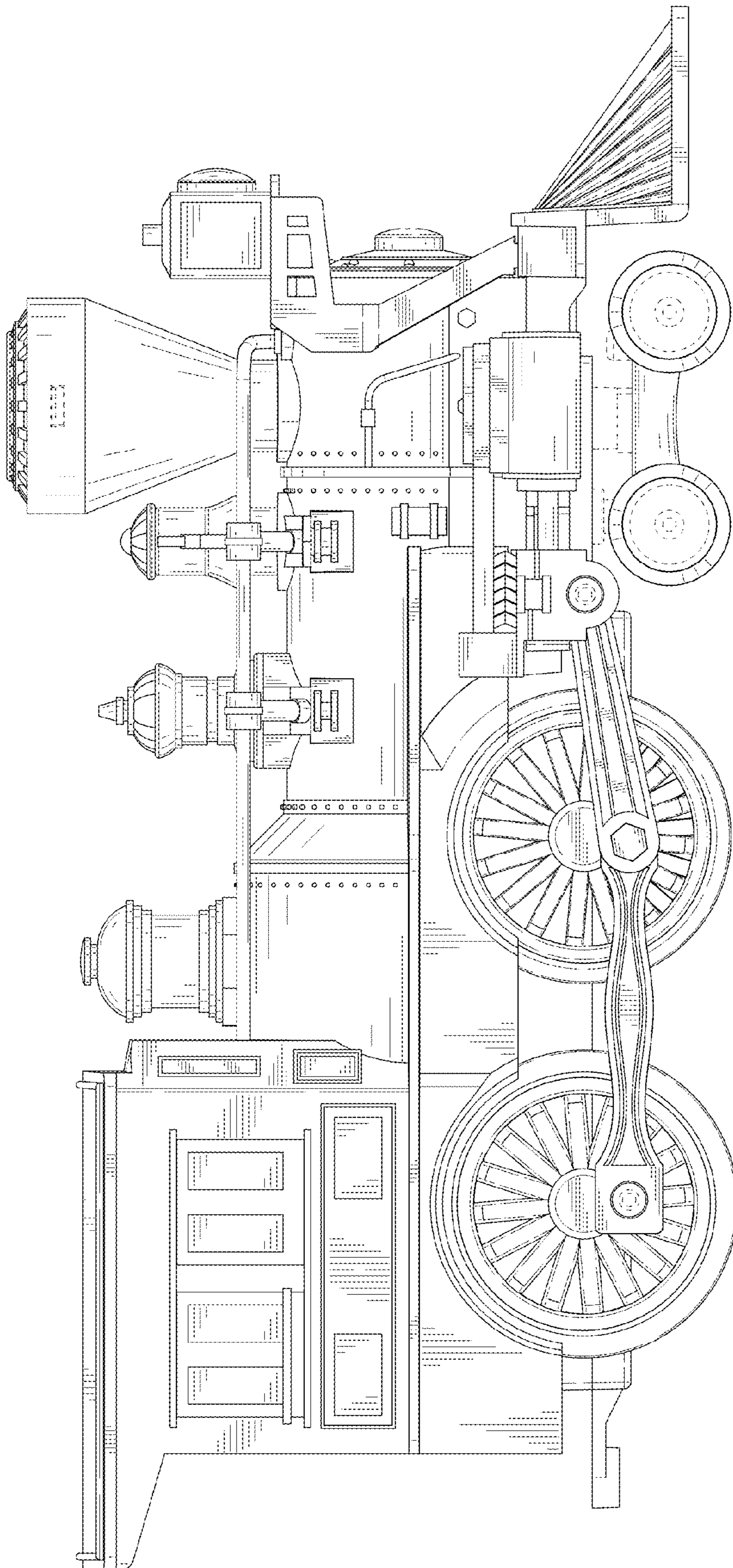


FIG. 4

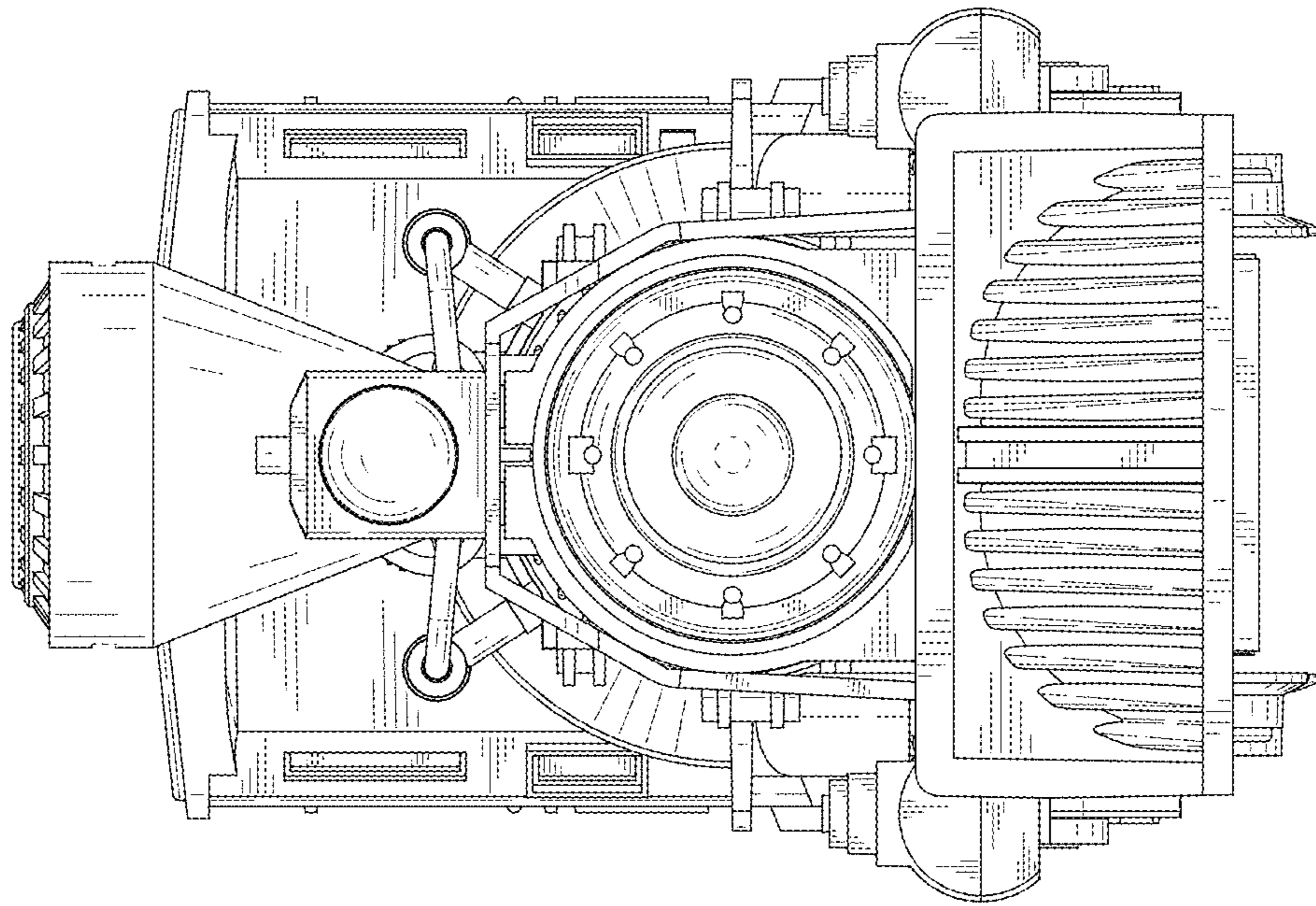


FIG. 5

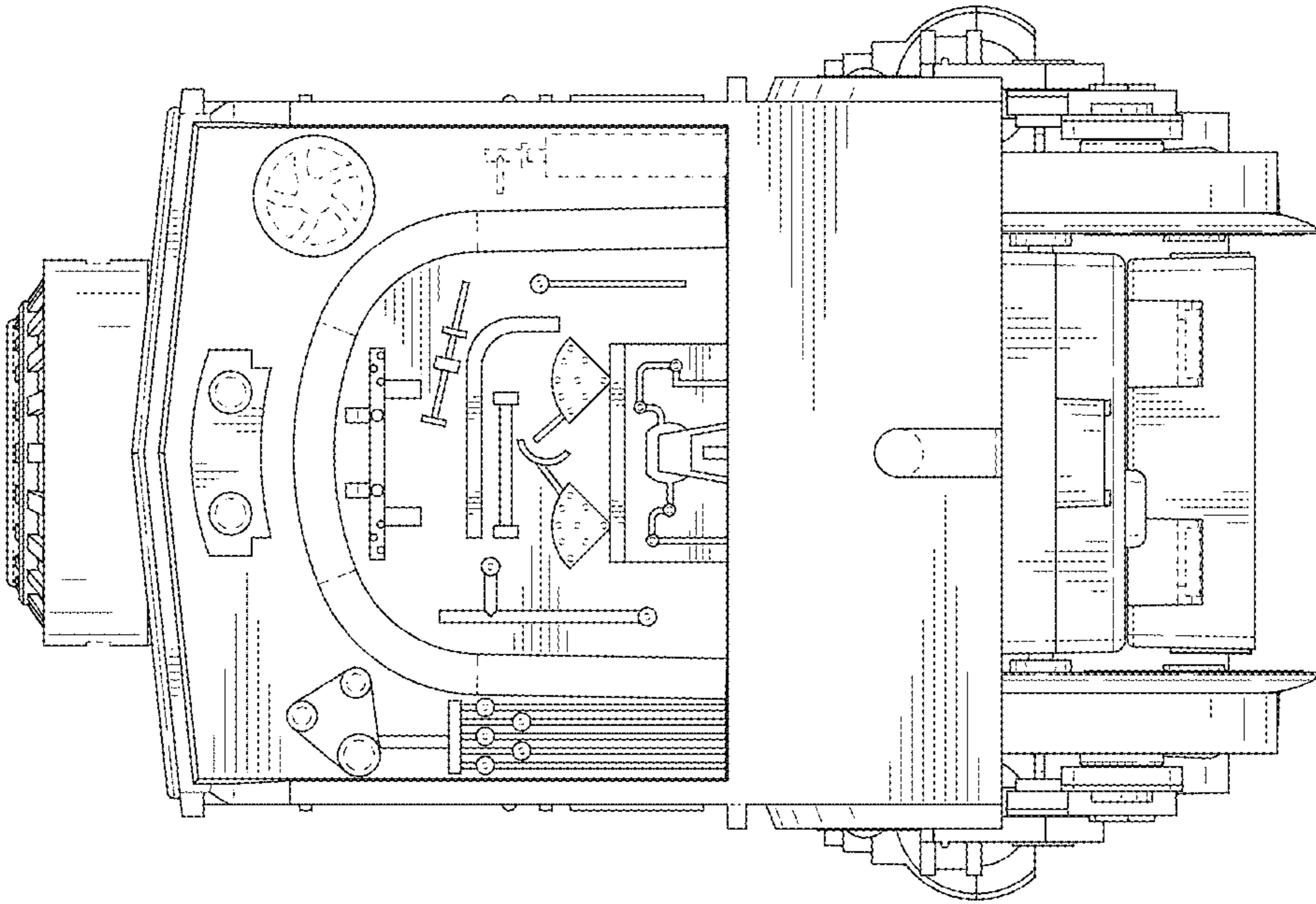


FIG. 6

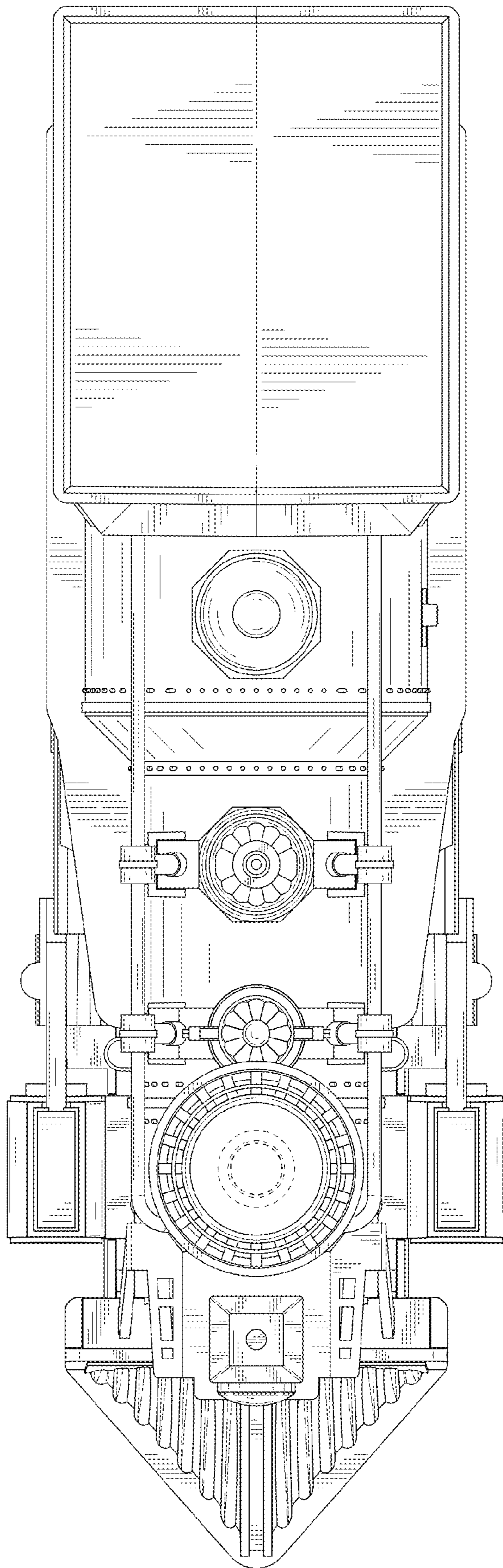


FIG. 7



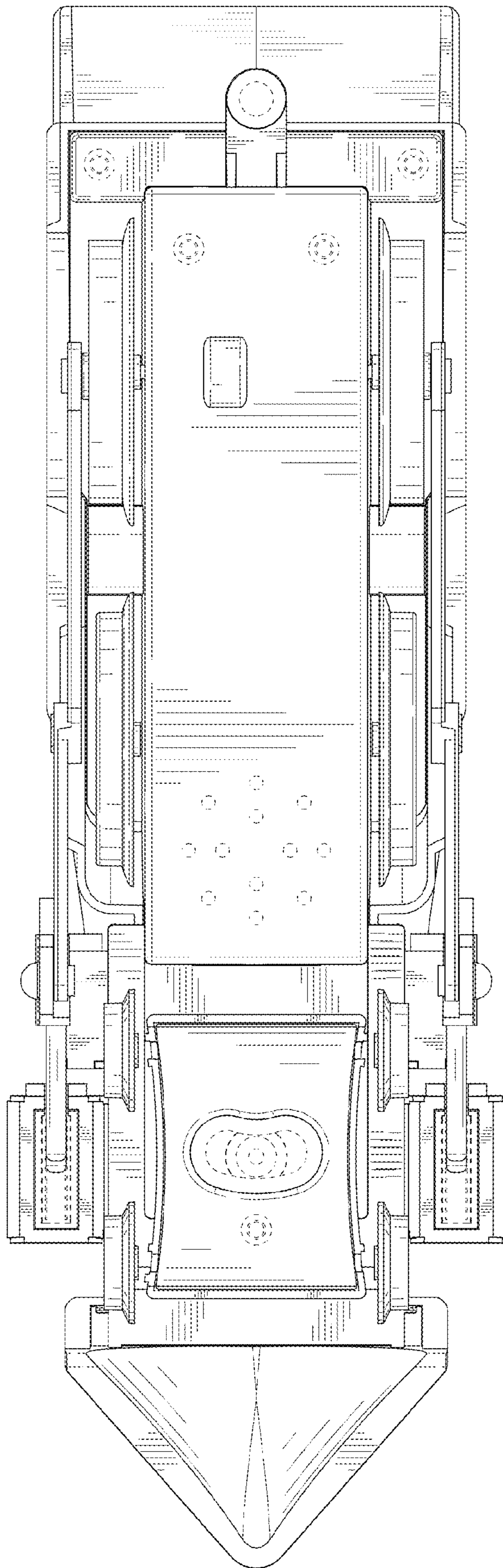


FIG. 8

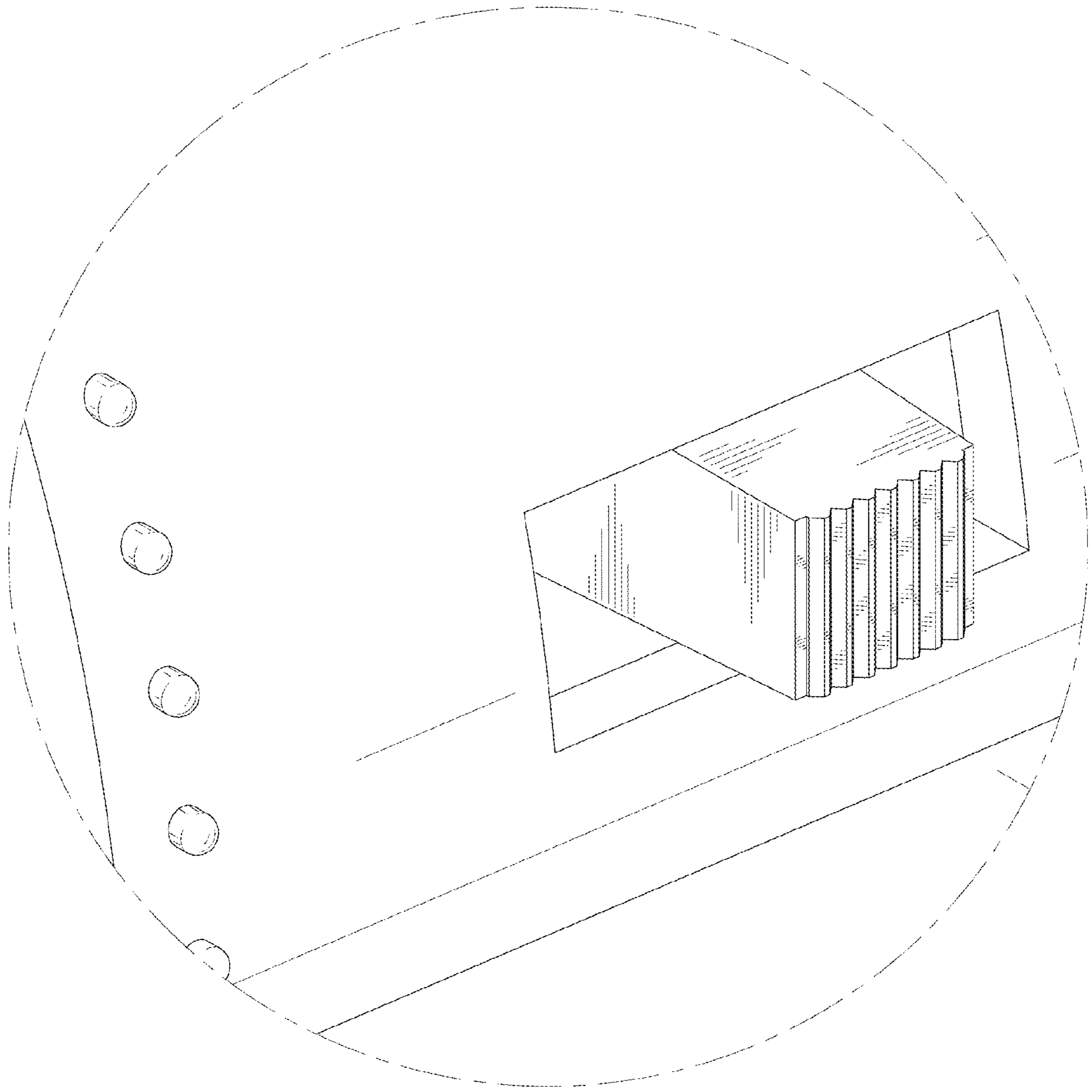


FIG. 9

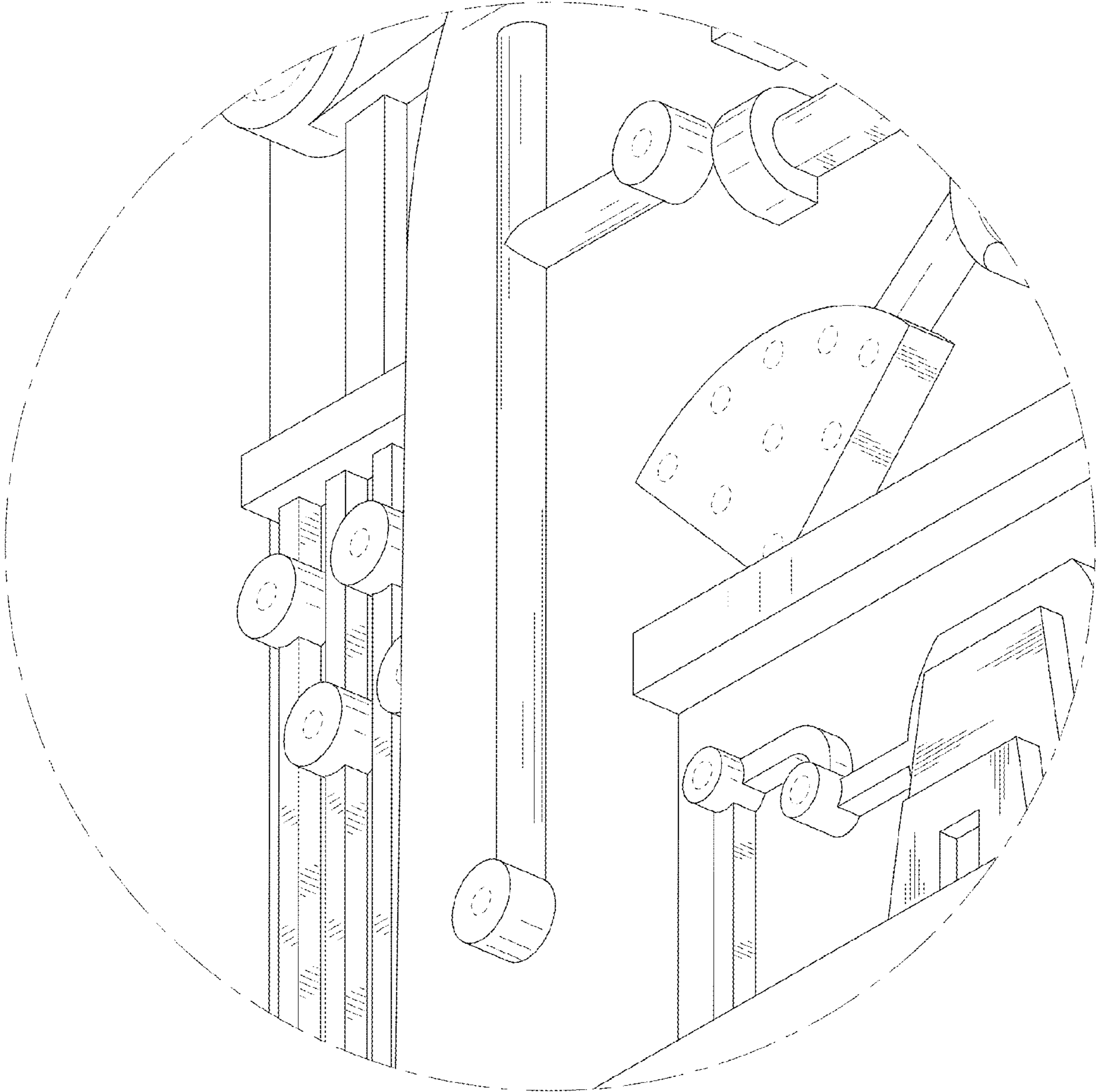


FIG. 10