



US00D971340S

(12) **United States Design Patent**  
**Wang**

(10) **Patent No.:** **US D971,340 S**

(45) **Date of Patent:** **\*\* Nov. 29, 2022**

- (54) **SELF BALANCING SCOOTER**
- (71) Applicant: **Shenzhen cloud access information technical service Co., Ltd, Shenzhen (CN)**
- (72) Inventor: **Xiao Wang, Qingdao (CN)**
- (\*\*) Term: **15 Years**
- (21) Appl. No.: **29/785,228**
- (22) Filed: **May 24, 2021**
- (51) **LOC (13) Cl.** ..... **21-01**
- (52) **U.S. Cl.**  
USPC ..... **D21/423**
- (58) **Field of Classification Search**  
USPC ..... D21/419, 421, 423, 760, 763, 765, 771;  
D12/1, 8, 107, 110, 112-114  
CPC . B62K 3/002; B62K 9/00; B62K 9/02; B62K 2202/00; B62K 11/007; B60Y 2200/126; B60L 2200/24; B60L 2200/16; A63C 2203/12; A63C 2203/40  
See application file for complete search history.

- D921,799 S \* 6/2021 Shen ..... B60L 3/08  
D21/763
- D922,508 S \* 6/2021 Shen ..... B62J 45/415  
D21/763
- 2018/0127047 A1\* 5/2018 Lankford ..... B60L 3/08  
(Continued)

**FOREIGN PATENT DOCUMENTS**

- CN 105416467 A \* 3/2016 ..... B60K 1/04
- CN 205906129 U \* 1/2017 ..... B60L 15/28  
(Continued)

**OTHER PUBLICATIONS**

“CBD Flash Hoverboard,” Dec. 17, 2020, amazon.com, site visited Feb. 22, 2022, URL: <https://www.amazon.com/dp/B08QW212R3/> (Year: 2020).\*

(Continued)

*Primary Examiner* — Richard Kearney  
*Assistant Examiner* — Sarah L Smith  
(74) *Attorney, Agent, or Firm* — Rumit R. Kanakia

(57) **CLAIM**

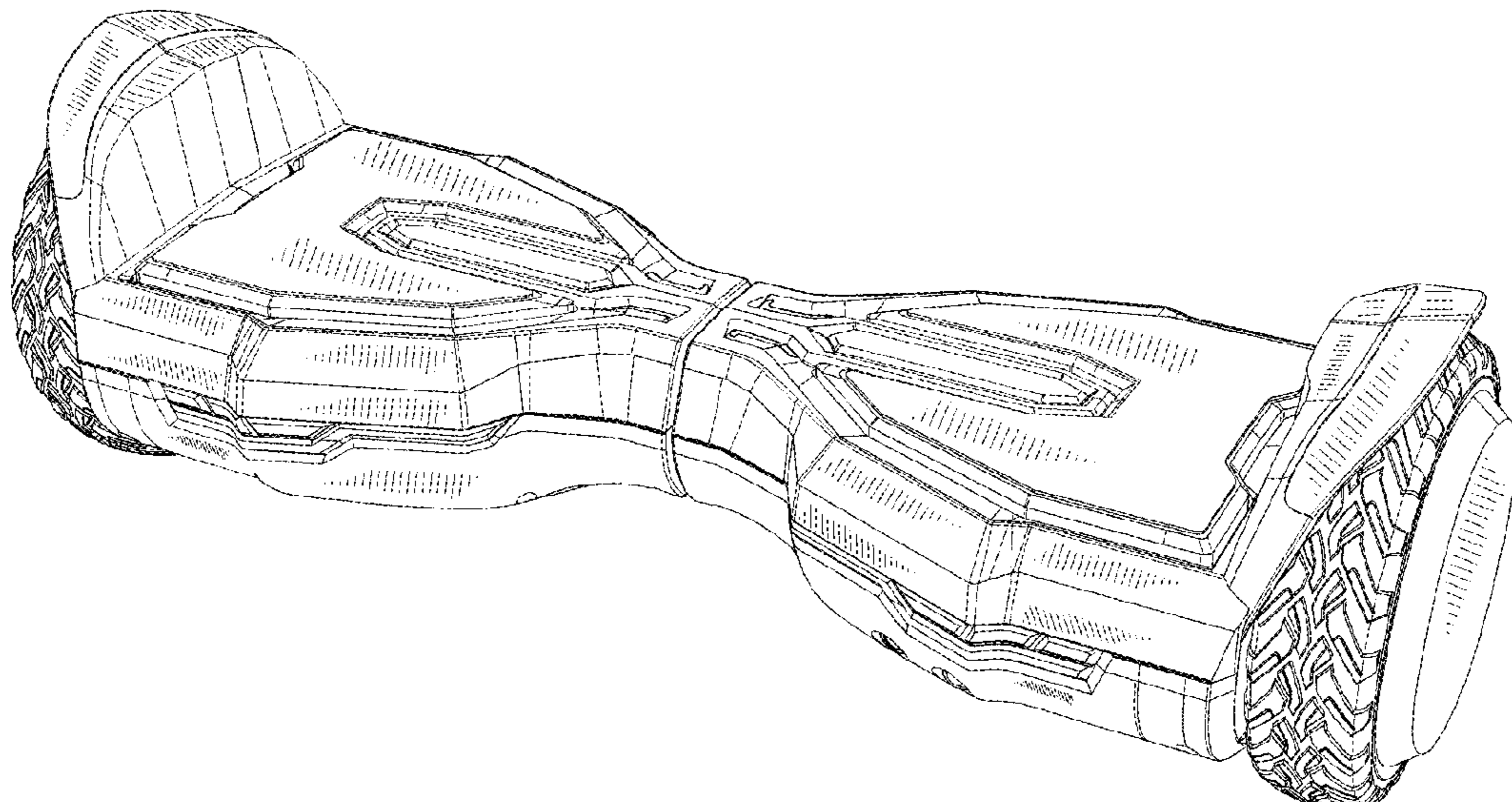
The ornamental design for a self balancing scooter, as shown and described.

**DESCRIPTION**

FIG. 1 is a perspective view of a self balancing scooter showing my new design;  
FIG. 2 is a top view thereof;  
FIG. 3 is a bottom view thereof;  
FIG. 4 is a left side view thereof;  
FIG. 5 is a right side view thereof;  
FIG. 6 is a front view thereof; and,  
FIG. 7 is a back view thereof.  
The broken lines showing of the self balancing scooter is for the purpose of illustrating portions of the article and forms no part of the claimed design.

**1 Claim, 7 Drawing Sheets**

- (56) **References Cited**
- U.S. PATENT DOCUMENTS**
- D780,626 S \* 3/2017 Li ..... G05B 19/048  
D12/1
- D808,856 S \* 1/2018 Zhang ..... B62J 50/21  
D12/1
- D810,618 S \* 2/2018 Li ..... D12/1
- D817,811 S \* 5/2018 Wang ..... D21/760
- D852,891 S \* 7/2019 Yao ..... D21/423
- D871,965 S \* 1/2020 Cao ..... D21/760
- D886,670 S \* 6/2020 Cao ..... D21/760
- D888,855 S \* 6/2020 Li ..... D21/763
- D888,856 S \* 6/2020 Li ..... D21/763
- D888,857 S \* 6/2020 Yao ..... D21/763
- D902,077 S \* 11/2020 Wang ..... D21/760
- D905,595 S \* 12/2020 Wang ..... D12/1
- D909,523 S \* 2/2021 Chen ..... D21/763



(56)

**References Cited**

U.S. PATENT DOCUMENTS

2018/0127048 A1\* 5/2018 Li ..... B62J 45/415  
2019/0382065 A1\* 12/2019 Shang ..... B62J 50/21  
2020/0361559 A1\* 11/2020 Wen ..... B62K 11/007  
2021/0221463 A1\* 7/2021 Chen ..... G05B 19/048

FOREIGN PATENT DOCUMENTS

EM 003495779-0001 \* 12/2016 ..... B60K 1/04  
EM 003528975-0003 \* 1/2017 ..... B62K 15/006  
EM 008009294-0001 \* 8/2020  
EM 008517155-0001 \* 4/2021  
GB 2557589 A \* 6/2018 ..... B62K 11/007  
WO WO-2021063433 A1 \* 4/2021 ..... B62K 15/006

OTHER PUBLICATIONS

“Jetson Spin All Terrain Hoverboard,” Mar. 3, 2020, amazon.com, site visited Feb. 22, 2022, URL: <https://www.amazon.com/dp/B085DVV825/> (Year: 2020).\*

“How To Assemble HoverCart for EverCross Hoverboard with Seat Attachment,” Oct. 13, 2020, youtube.com, site visited Feb. 22, 2022, URL: <https://www.youtube.com/watch?v=SmC5cDBC-4> (Year: 2020).\*

“Hoverboard11a,” Oct. 14, 2020, instagram.com, site visited Feb. 22, 2022, URL: <https://www.instagram.com/p/CGU9dnSj6uq/> (Year: 2020).\*

\* cited by examiner

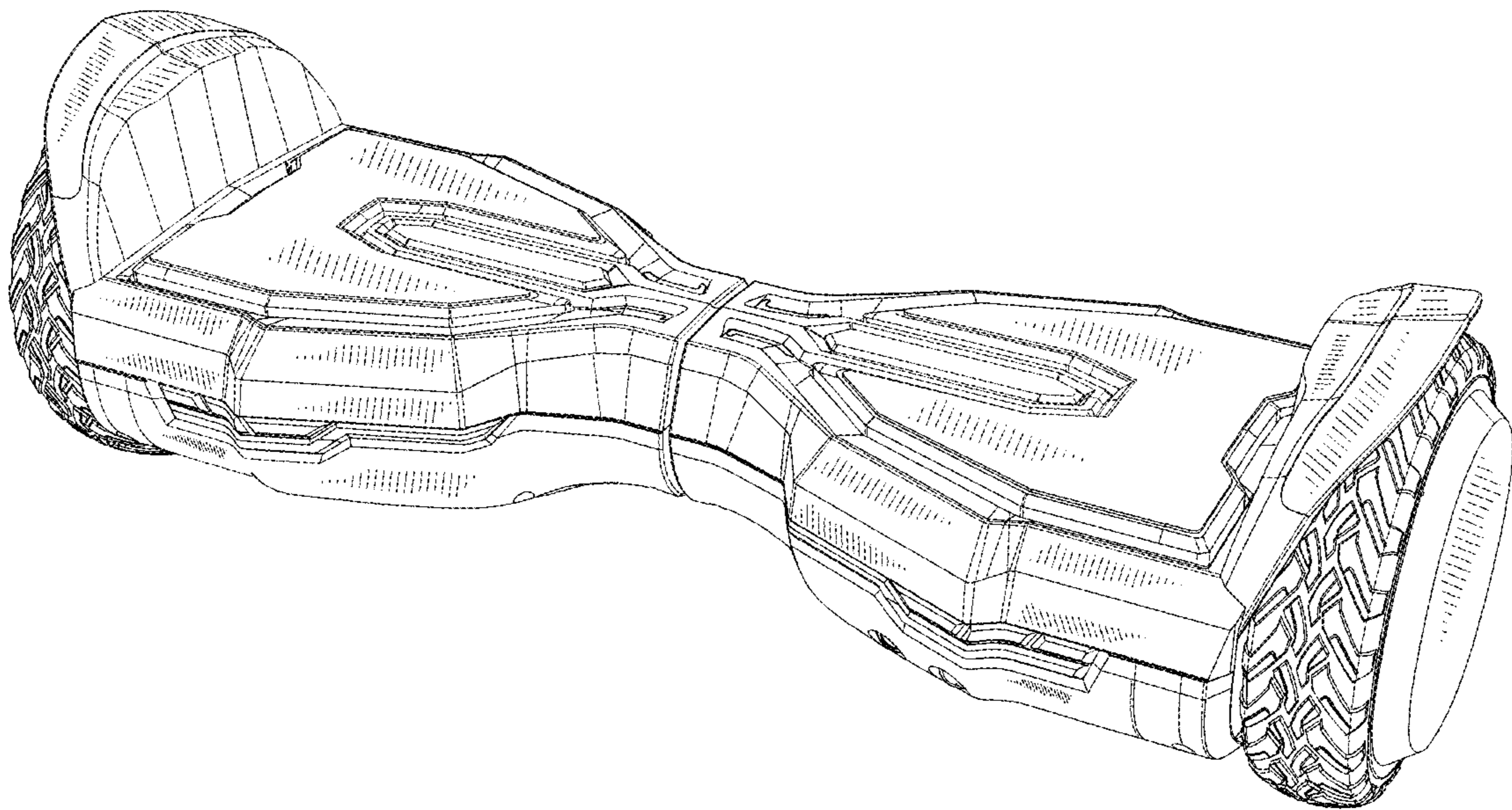


FIG. 1

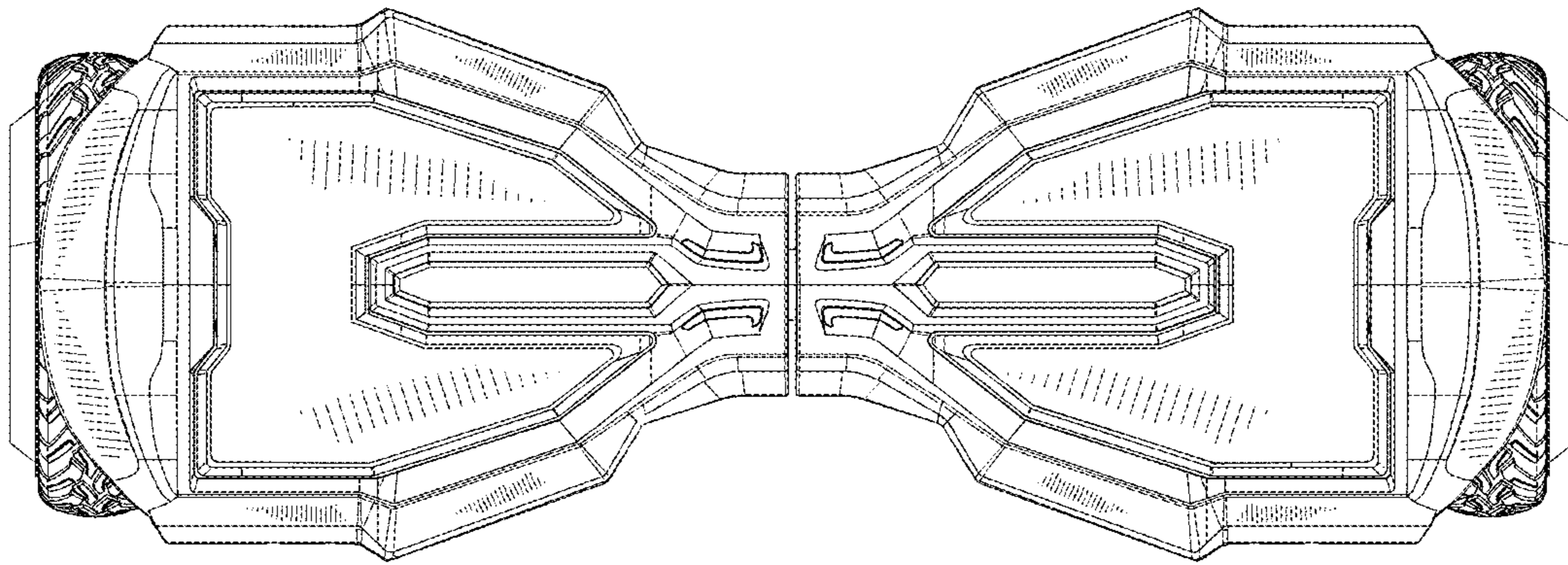


FIG. 2

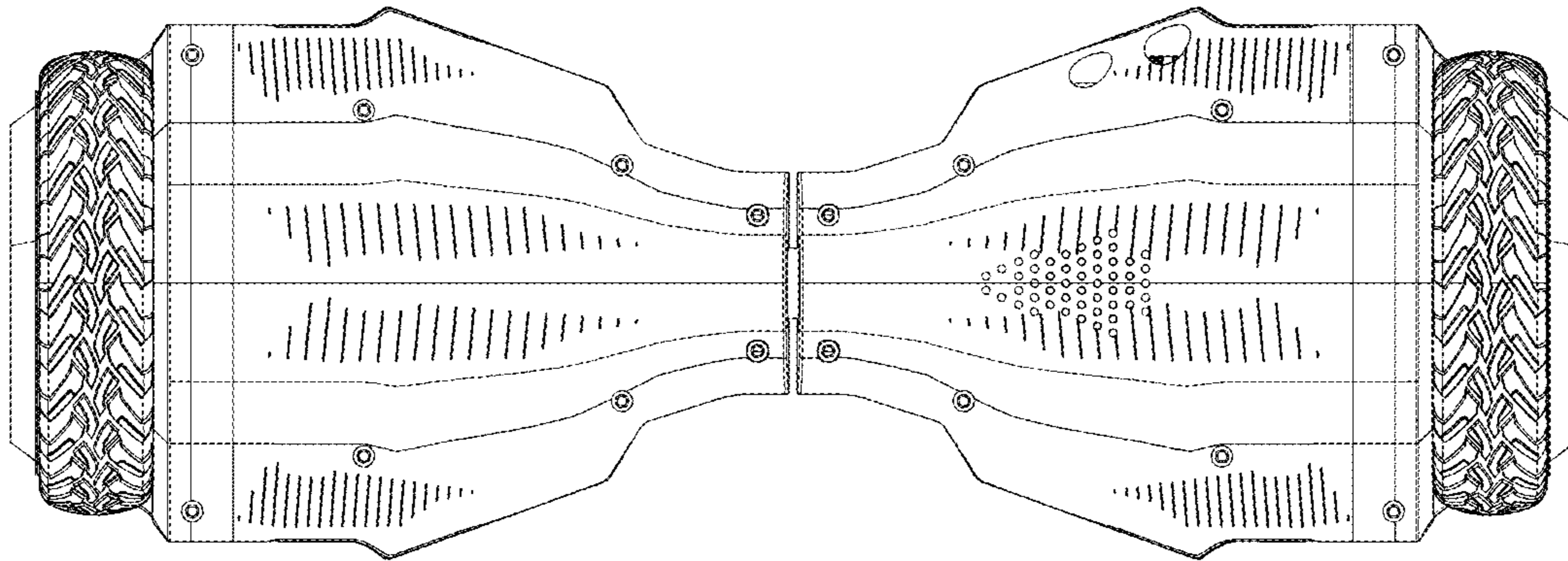


FIG. 3

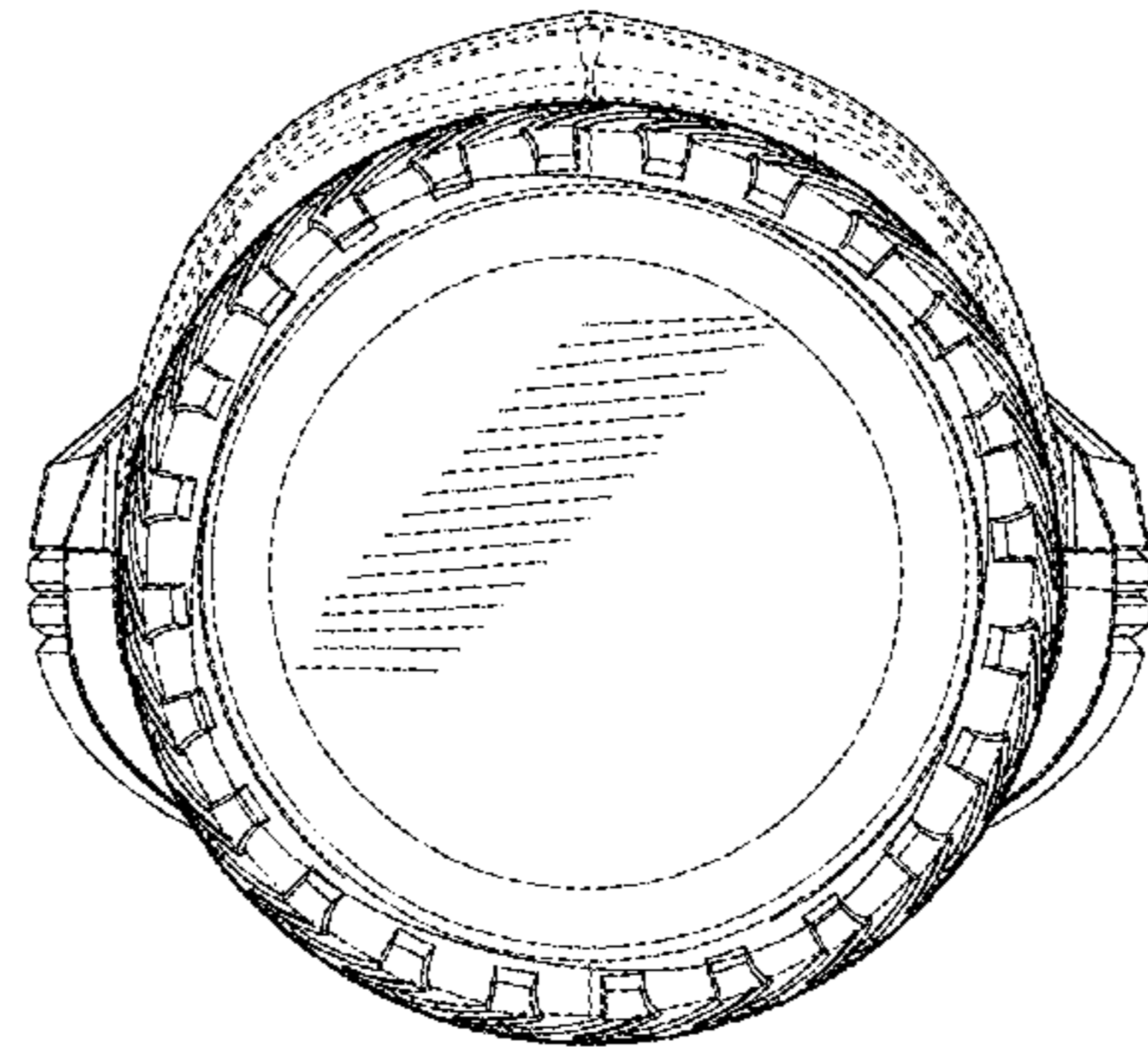


FIG. 4

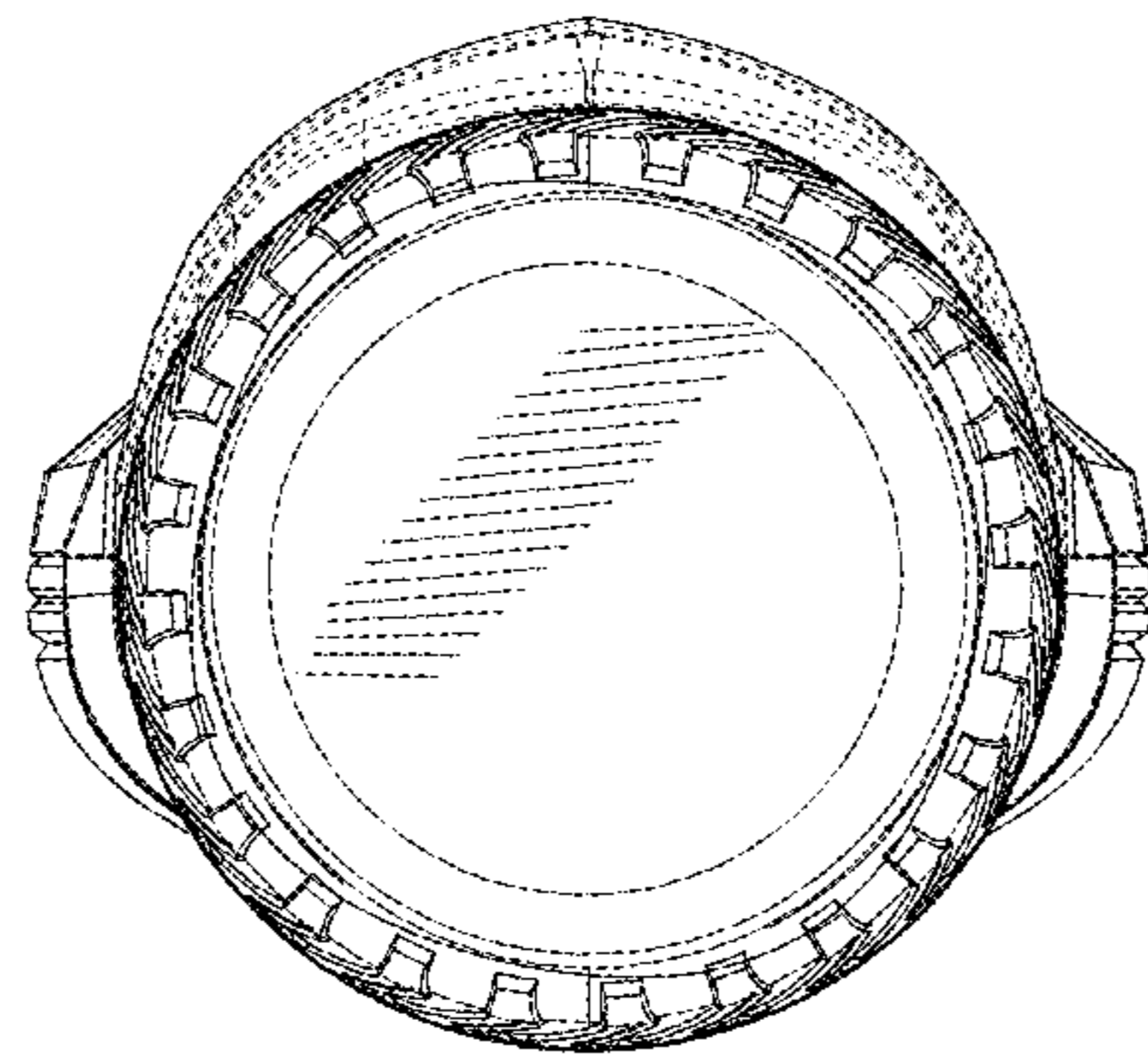


FIG. 5

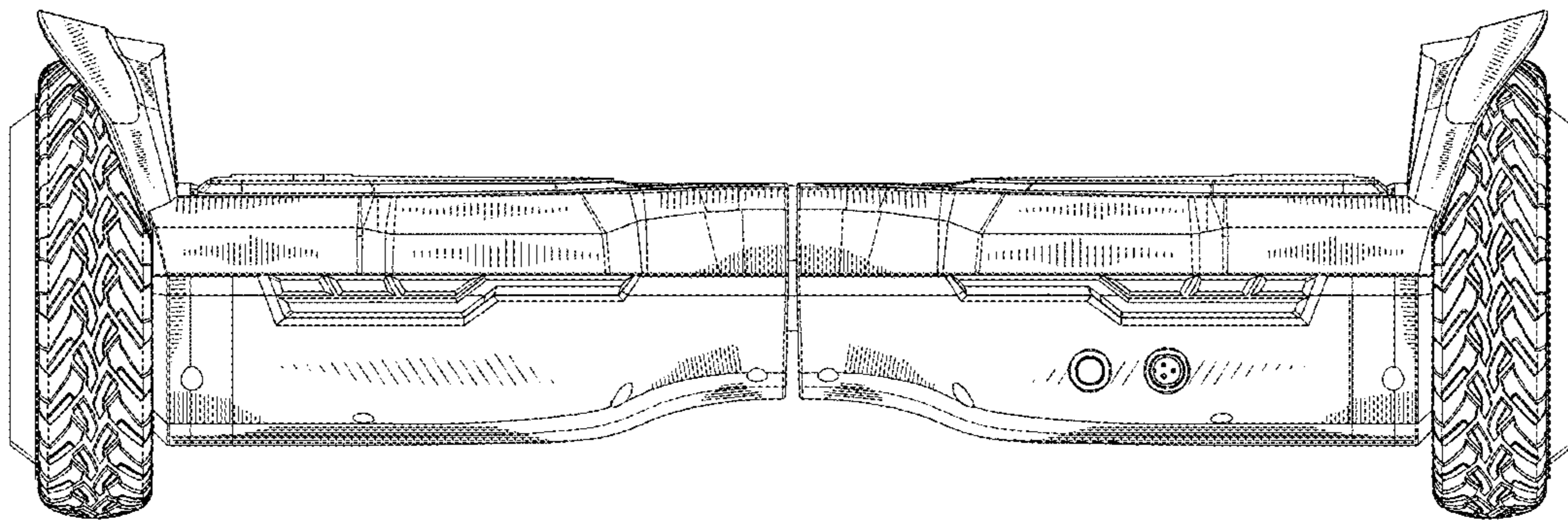


FIG. 6



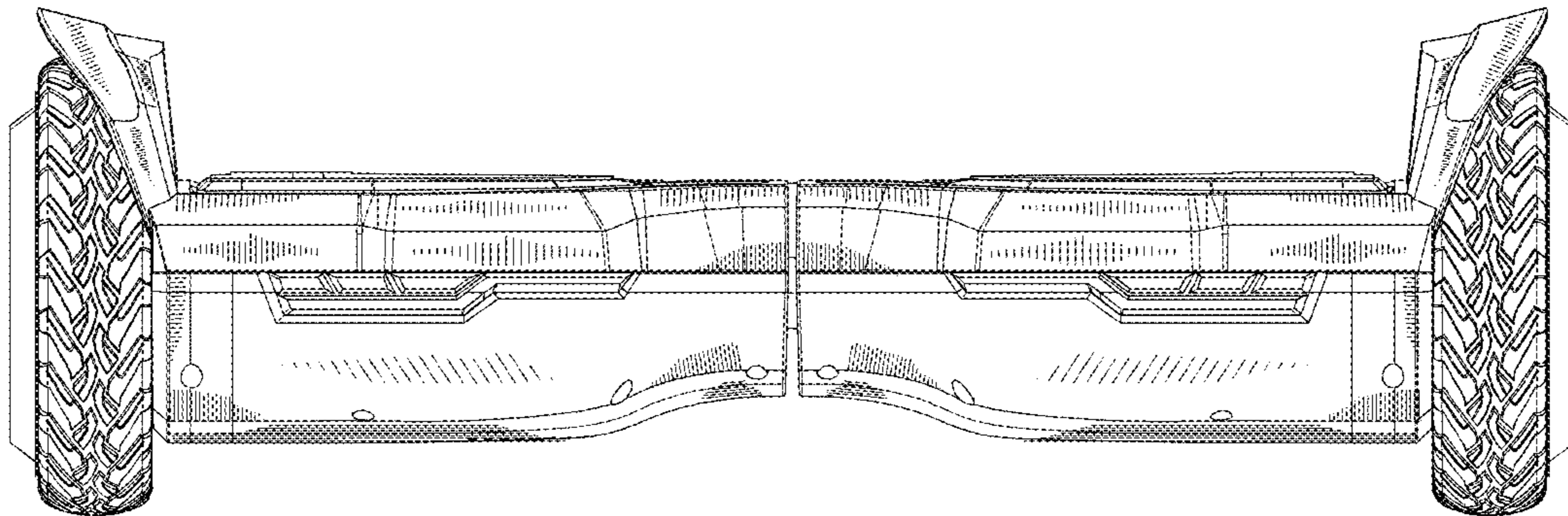


FIG. 7