



US00D971339S

(12) **United States Design Patent** (10) **Patent No.:** **US D971,339 S**
Zhou (45) **Date of Patent:** **** Nov. 29, 2022**

(54) **TOY BUBBLE GUN**
(71) Applicant: **Fuyou Zhou**, Yuanling (CN)
(72) Inventor: **Fuyou Zhou**, Yuanling (CN)
(**) Term: **15 Years**

CN 307328695 * 5/2022
CN 307350654 * 5/2022
CN 307350656 * 5/2022
CN 307370973 * 5/2022
CN 307408556 * 6/2022
CN 307430844 * 7/2022
CN 307491995 * 8/2022

(21) Appl. No.: **29/841,137**
(22) Filed: **Jun. 3, 2022**
(51) **LOC (13) Cl.** **21-01**
(52) **U.S. Cl.**
USPC **D21/401**
(58) **Field of Classification Search**
USPC D21/401, 483, 567, 570, 572, 573, 574,
D21/575; D22/100, 101, 103, 104, 105,
D22/108, 109, 110, 117
CPC F41C 3/00; F41C 3/005; F41C 3/02; F41C
3/04; F41C 3/06; F41C 3/12; F41C 7/00;
A63H 33/28; A63H 33/00
See application file for complete search history.

OTHER PUBLICATIONS

MHC Bubble Gun, available on Amazon.com, oldest customer date with photos Aug. 22, 2022, [site visited Sep. 6, 2022], URL: <https://www.amazon.com/dp/B0B2PCPGRX/> (Year: 2022).*
Bubble Machine Toy, available on Amazon.co.jp, date first available May 8, 2022, [site visited Sep. 6, 2022], URL: <https://www.amazon.co.jp/-/en/Bubble-Machine-Toys-Automatic-Kids/dp/B09ZTBP51C/r> (Year: 2022).*

(Continued)

Primary Examiner — Dana K Weiland
Assistant Examiner — Emily Anna Saunders
(74) *Attorney, Agent, or Firm* — Runit Ranjit Kanakia

(56) **References Cited**

U.S. PATENT DOCUMENTS

D374,463 S * 10/1996 Butler D21/573
D660,926 S * 5/2012 Mastin D21/573
D674,026 S 1/2013 Roos et al.
D723,114 S 2/2015 Li
D761,365 S 7/2016 Champ
D948,634 S * 4/2022 Lin D21/573
D955,496 S * 6/2022 Cai D21/572
D962,349 S * 8/2022 Gao D21/401
2004/0142626 A1 * 7/2004 Choi A63H 33/28
446/15
2012/0214378 A1 * 8/2012 Lo A63H 33/28
446/15

FOREIGN PATENT DOCUMENTS

CN 307257697 * 4/2022
CN 307317040 * 5/2022

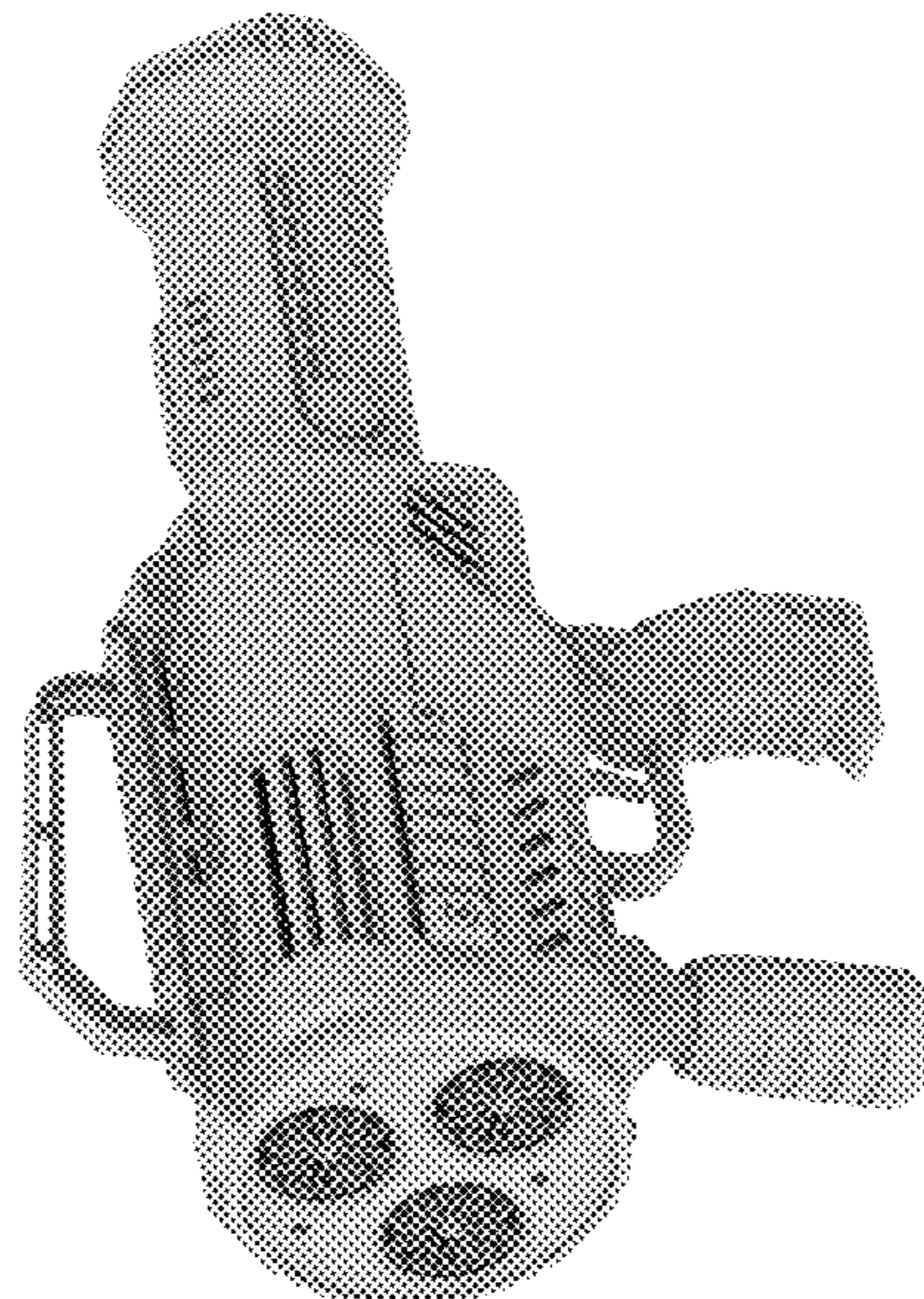
(57) **CLAIM**

The ornamental design for a toy bubble gun, as shown and described.

DESCRIPTION

FIG. 1 is a perspective view of a toy bubble gun showing my new design;
FIG. 2 is a front view thereof;
FIG. 3 is a back view thereof;
FIG. 4 is a left side view thereof;
FIG. 5 is a right side view thereof;
FIG. 6 is a top view thereof; and,
FIG. 7 is a bottom view thereof.

1 Claim, 7 Drawing Sheets



(56)

References Cited

OTHER PUBLICATIONS

100 Bubble Gun, available on Amazon.co.jp, date first available May 28, 2022, [site visited Sep. 6, 2022], URL: <https://www.amazon.co.jp/-/en/1/dp/B006SUKJSY/> (Year: 2022).*

Bubble Machine Gun, available on Amazon.com, oldest customer date with photo Aug. 2, 2022, [site visited Sep. 6, 2022], URL: <https://www.amazon.com/Machine-Automatic-Solution-Rechargeable-Dinosaur/dp/B0B2LQ2MNV/>(Year: 2022).*

Bazooka Bubble Machine Gun, available on Amazon.com, oldest customer review with video Jul. 21, 2022, [site visited Sep. 6, 2022], URL: <https://www.amazon.com/dp/B0B24T5SSD/> (Year: 2022).*

* cited by examiner



FIG. 1

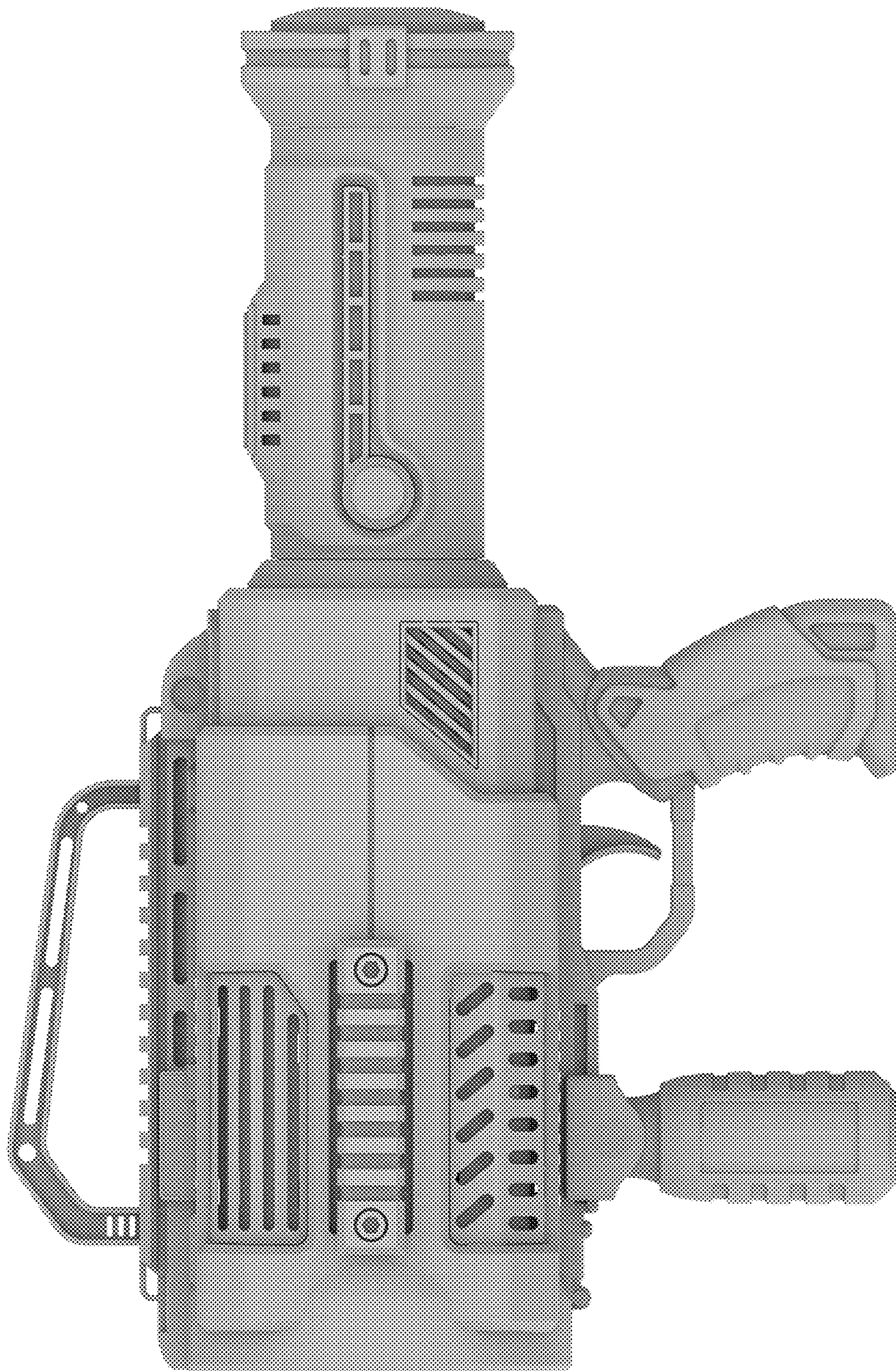


FIG.2

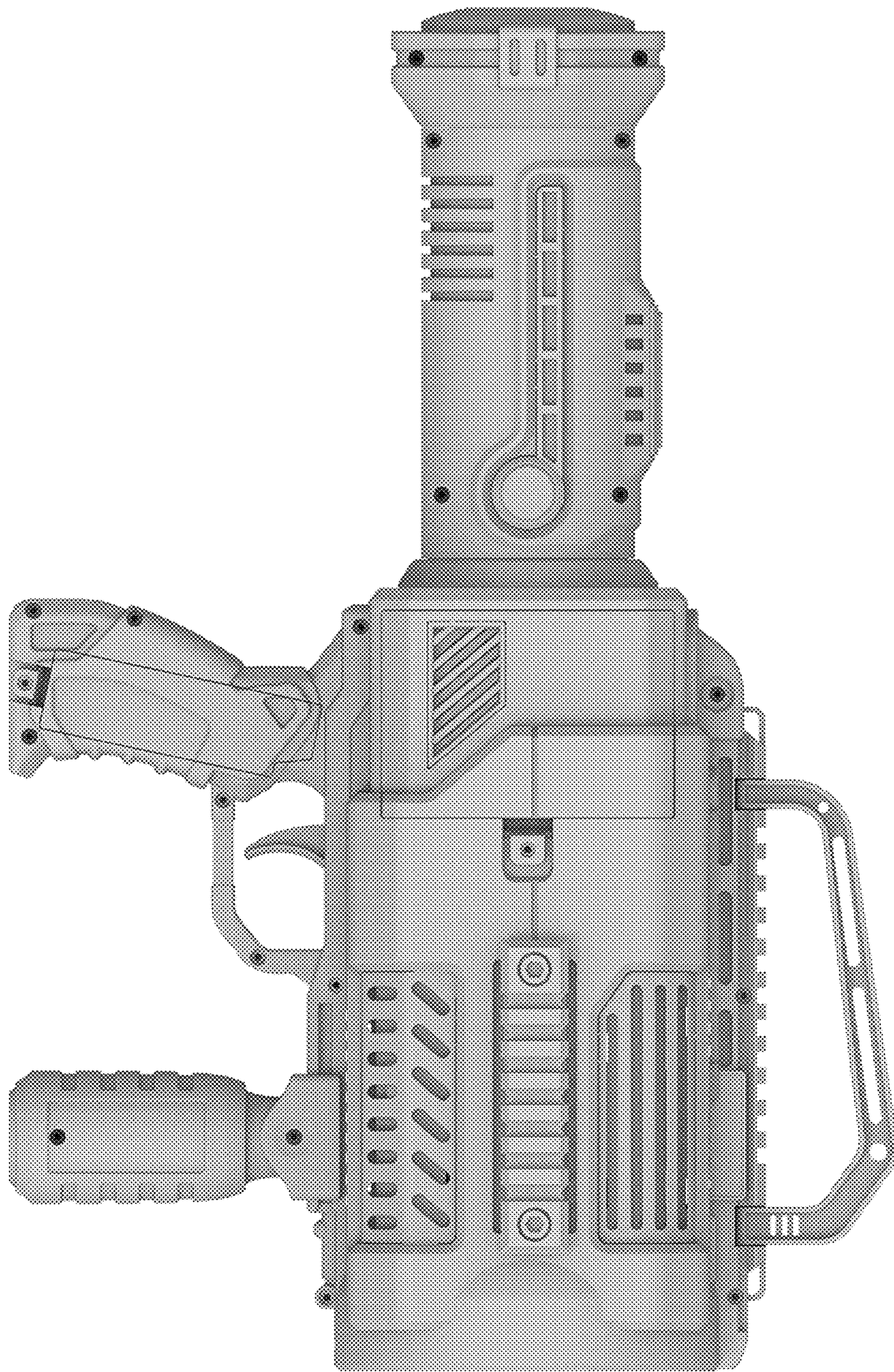


FIG.3

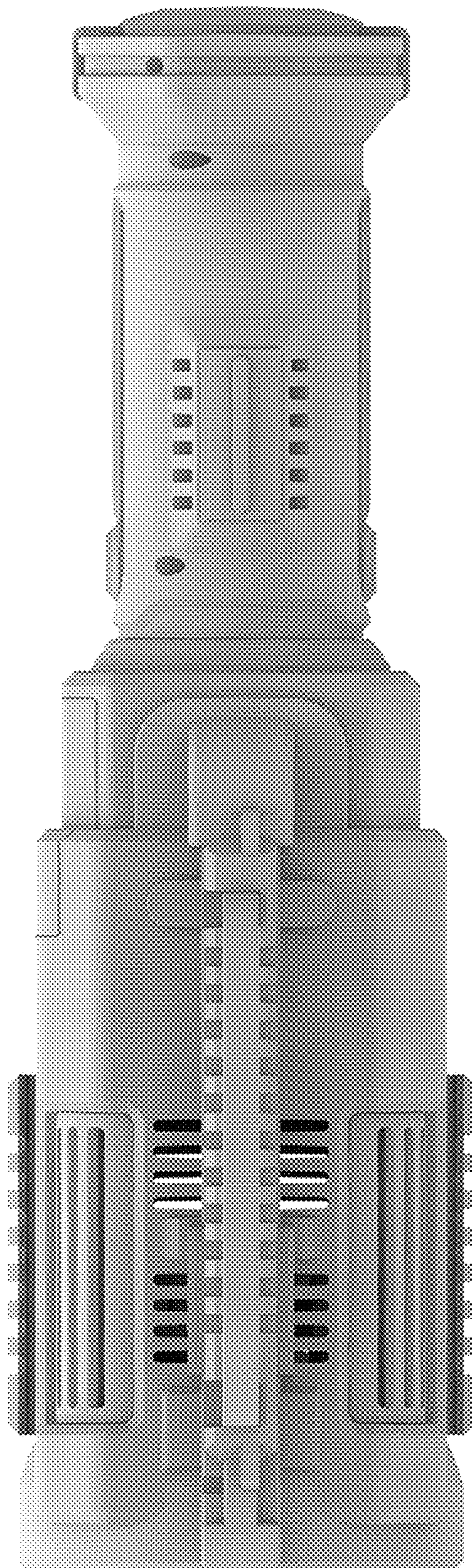


FIG.4

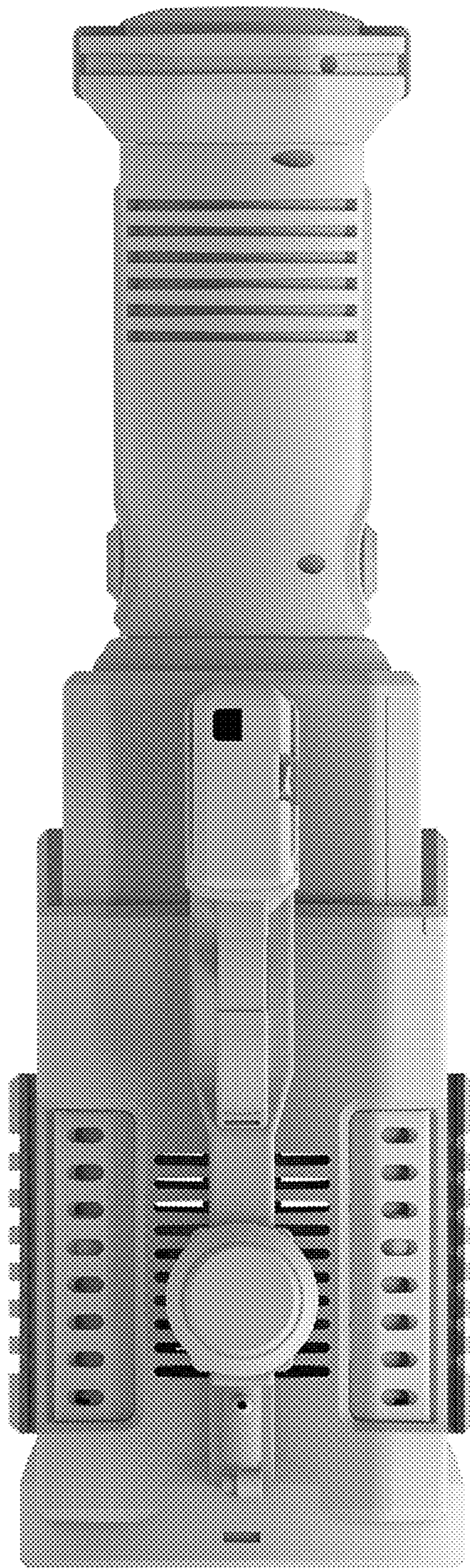


FIG.5

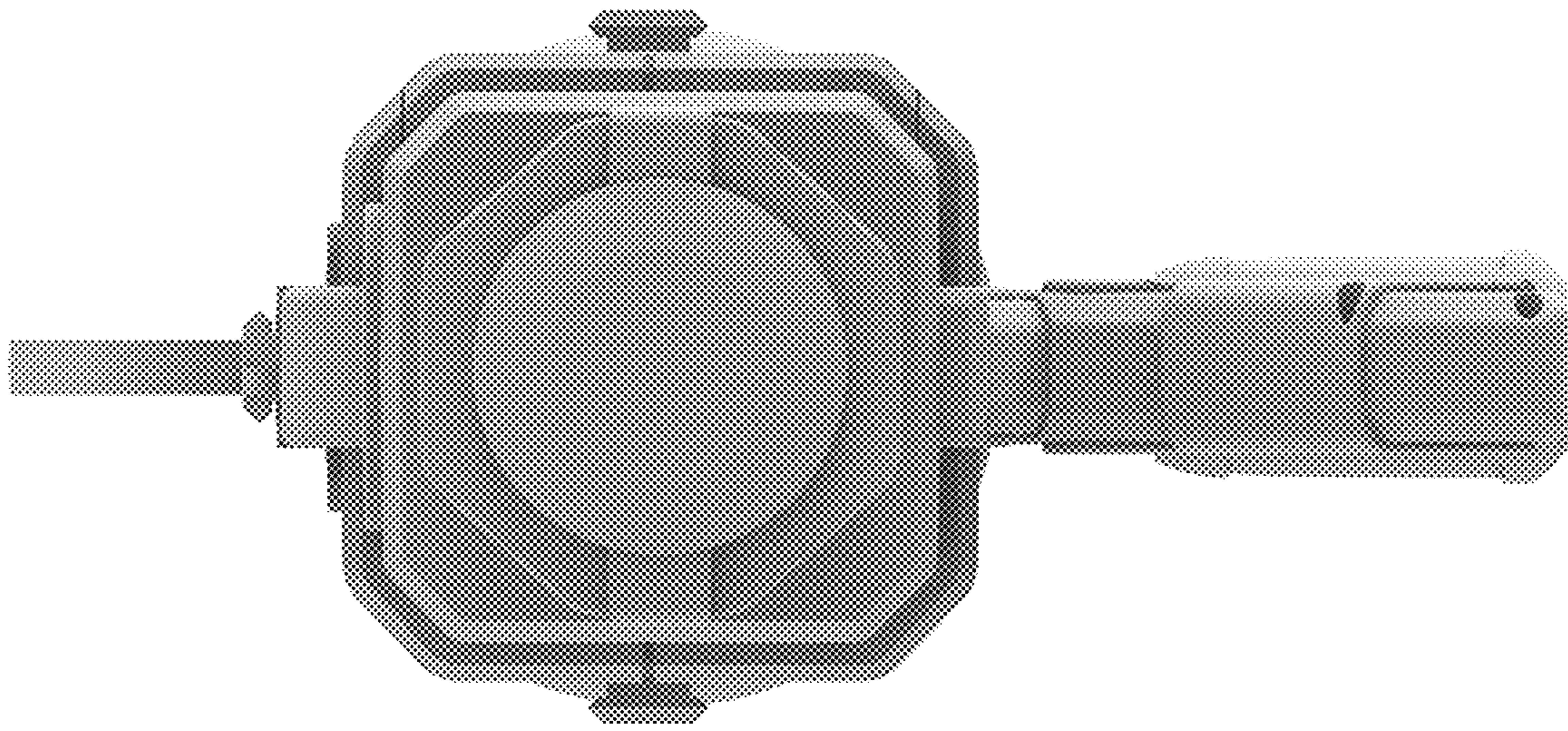


FIG.6

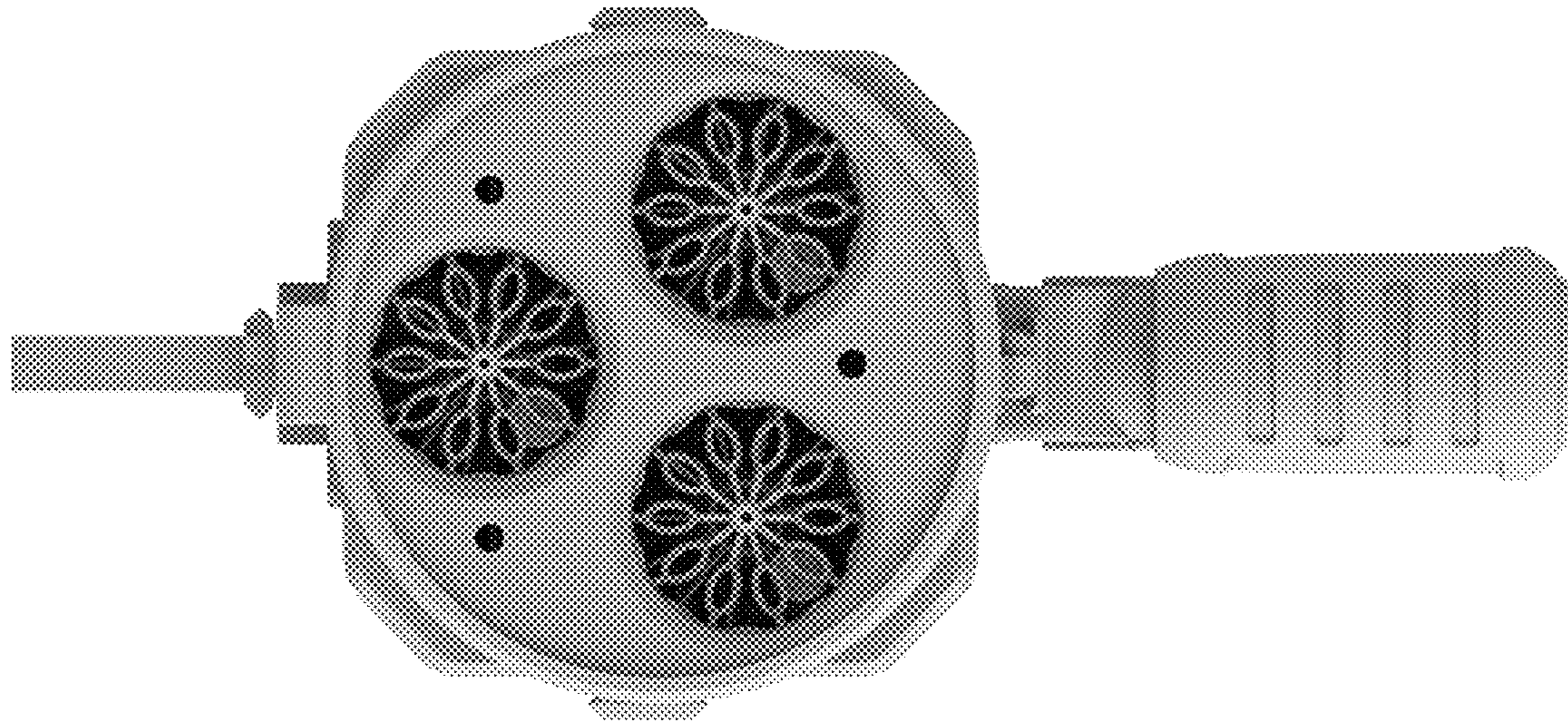


FIG.7