



US00D971338S

(12) **United States Design Patent** Spiegel et al. (10) **Patent No.:** **US D971,338 S**
(45) **Date of Patent:** **** Nov. 29, 2022**

(54) **CASE FOR A TRADING CARD**
(71) Applicant: **Certified Guaranty Company, LLC**,
Lakewood Ranch, FL (US)
(72) Inventors: **Max Spiegel**, Sarasota, FL (US);
Harshen Patel, Lakewood Ranch, FL
(US); **Eloy Nunez**, Ellenton, FL (US);
Joseph Yanarella, Wellington, FL (US);
Stephen Lam, Hong Kong (CN)

5,133,450 A * 7/1992 Rademacher G09F 3/203
206/455
5,959,281 A * 9/1999 Domiteaux G09F 1/14
235/454
5,979,097 A * 11/1999 Moore G09F 1/12
40/124.03
D423,757 S 4/2000 Briggs
(Continued)

(**) Term: **15 Years**

(21) Appl. No.: **29/726,161**

(22) Filed: **Feb. 28, 2020**

(51) **LOC (13) Cl.** **21-01**

(52) **U.S. Cl.**
USPC **D21/392; D3/302**

(58) **Field of Classification Search**
USPC D3/201, 242, 247, 248, 249, 273, 274,
D3/275, 294, 300; D6/407; D9/418;
D19/26; D20/40; D21/385, 392, 393,
D21/394, 395, 396
CPC B42D 3/12; B42D 3/045; B65D 11/00;
B65D 11/10; B65D 25/10; B65D 25/54;
B42F 5/00; B42F 5/02; B42F 5/04; B42F
5/005

See application file for complete search history.

(56) **References Cited**

U.S. PATENT DOCUMENTS

995,747 A 6/1911 Westerbeck
1,080,219 A 12/1913 Housh
2,611,369 A 9/1952 Herrick
3,797,146 A 3/1974 Holes
4,048,740 A 9/1977 Zitzelberger et al.
4,712,673 A * 12/1987 Moore B42D 1/008
190/1
4,979,619 A * 12/1990 Hager A45C 11/18
150/145

OTHER PUBLICATIONS

Pokemon, posted at youtube.com, posted on May 8, 2016, site visited Sep. 13, 2021. online, available from internet: <https://www.youtube.com/watch?v=uyzaVgEEPnc> (Year: 2016).*

(Continued)

Primary Examiner — Catherine Ho
(74) *Attorney, Agent, or Firm* — Patent GC LLC;
Alexander Franco

(57) **CLAIM**

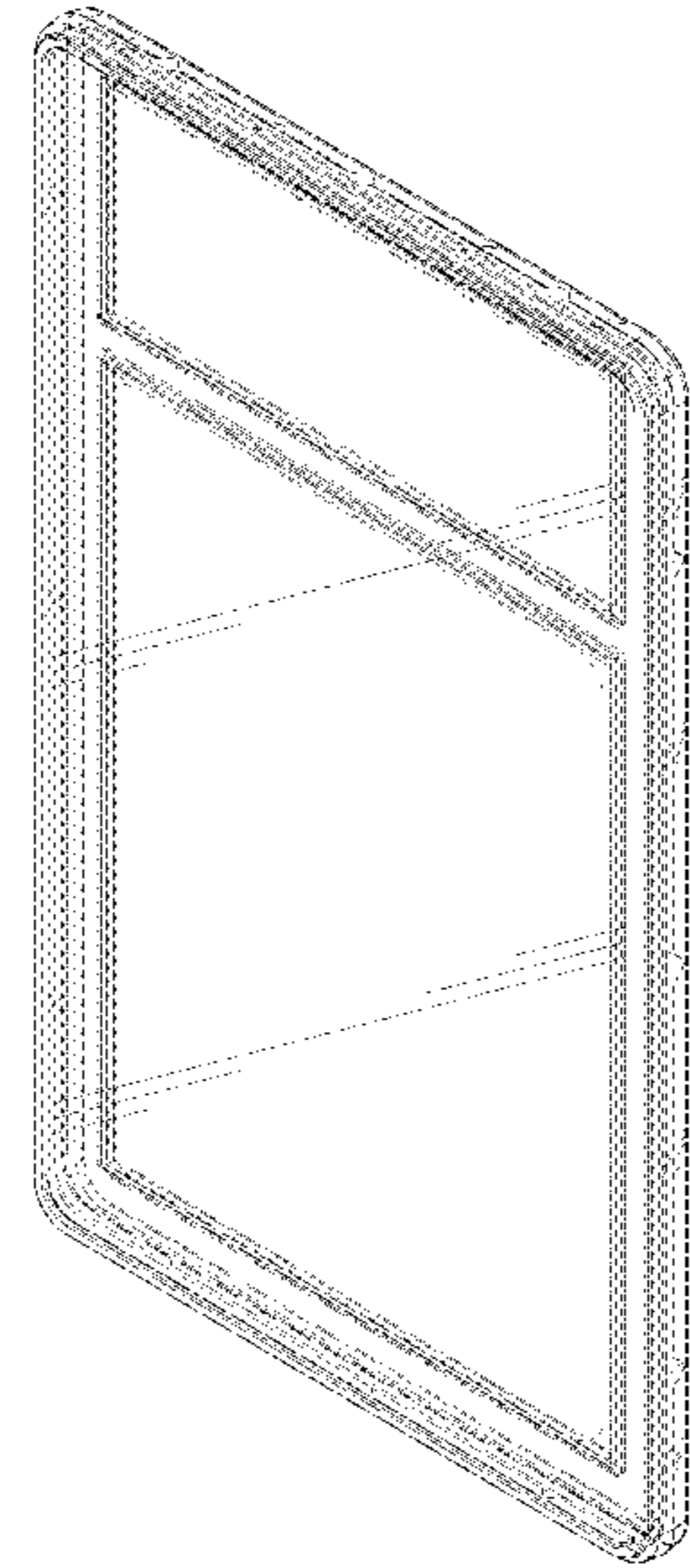
The ornamental design for a case for a trading card, as shown and described.

DESCRIPTION

FIG. 1 is a perspective view of a case for a trading card.
FIG. 2 is a front elevation view.
FIG. 3 is a back elevation view.
FIG. 4 is a left elevation view.
FIG. 5 is a right elevation view.
FIG. 6 is a top plan view.
FIG. 7 is a bottom plan view.
FIG. 8 is a perspective exploded view; and,
FIG. 9 is a cross-sectional view taken in the direction of line 9-9 in FIG. 3.

In the drawings, broken lines illustrate portions of the case that form no part of the claimed design. In the drawings, dot-dash broken lines are used only to indicate cross-section sight lines and form no part of the claimed design.

1 Claim, 9 Drawing Sheets



(56)

References Cited

U.S. PATENT DOCUMENTS

6,102,207 A * 8/2000 Carse B65D 81/266
206/459.1
6,263,602 B1 7/2001 Seiber et al.
6,308,831 B1 * 10/2001 Saxe B42F 7/14
206/38
6,540,260 B1 4/2003 Tan
D527,900 S 9/2006 Dewa et al.
D603,202 S * 11/2009 Choi G11B 33/0427
D6/634
D603,204 S * 11/2009 Choi G11B 33/0427
D6/634
D634,781 S * 3/2011 Hertrich, Jr. D19/26
8,550,239 B2 * 10/2013 Nakonechny A47G 1/12
206/8
D712,655 S 9/2014 Tischler
8,863,953 B1 * 10/2014 Fager B65D 85/00
206/469
D833,732 S * 11/2018 Nelson D3/201
D851,910 S * 6/2019 Nelson B65D 11/10
D3/201
D851,911 S * 6/2019 Nelson B42D 3/12
D3/201
10,308,396 B2 * 6/2019 Baker B65D 43/162
D853,119 S 7/2019 Spiegel et al.
2001/0001910 A1 5/2001 Cumberland et al.
2004/0002387 A1 * 1/2004 Grady G06K 19/04
463/43
2005/0011795 A1 1/2005 Vanderberg
2006/0265923 A1 11/2006 Champnella et al.
2008/0149518 A1 * 6/2008 Macor G06Q 50/00
206/459.5
2010/0181222 A1 * 7/2010 Aiko B65D 75/225
206/461

2010/0235766 A1 * 9/2010 Fujioka G06Q 30/02
715/762
2013/0146487 A1 * 6/2013 Macor B65D 81/02
206/232
2014/0064694 A1 * 3/2014 Zealer G06F 3/14
386/230
2015/0041032 A1 * 2/2015 Broly A45C 13/002
150/149
2017/0096270 A1 4/2017 Jauregui
2017/0253067 A1 9/2017 Nelson et al.

OTHER PUBLICATIONS

First cgc, posted at youtube.com, posted on Sep. 29, 2019, site visited Sep. 13, 2021. online, available from internet: <https://www.youtube.com/watch?v=AxLdWpCAhNo> (Year: 2019).
“About NGC” available on URL: <https://www.ngccoin.com/coin-grading/about-ngc/>, retrieved on Sep. 25, 2017, 6 pages.
“Graded MINT Stamps Never Fine 70 to GEM100” available on URL: http://www.gradedstamps.com/gallery/search.php?page=search&task=det_item&item_id=29120, retrieved on Sep. 25, 2017, 4 pages.
“Professional Stamp Experts” available on URL: http://www.psestamp.com/articles/article_view.chtml?artid=7266, dated May 24, 2012, 2 pages.
“Yuan-Tai Trading” available on URL: http://ytgrading.com/web/yt/coinsearch?web/yt/coinsearch?p_p_id=coindetail_WAR_coinportlet&keyWord=17613001, retrieved on Sep. 25, 2017, 1 page.
“About us”, posted at collectiblesgroup.com, available Aug. 12, 2016, online, URL: <https://www.collectiblesgroup.com/about-us/> (Year: 2016), 2016.
Other Information, “Beckett Trading Card Case”, Jan. 1, 2019.
Other Information, “Old Judge Case”, Jan. 1, 2019.

* cited by examiner

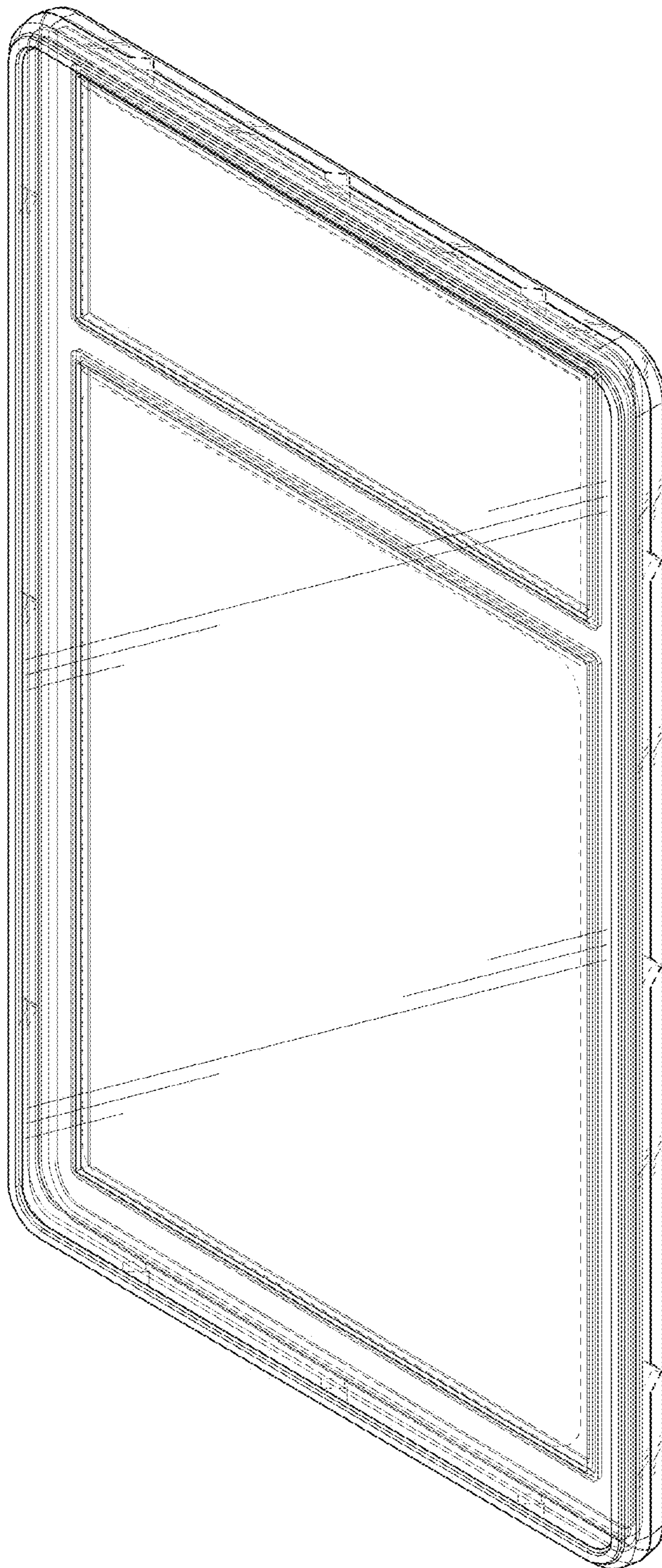


FIG. 1

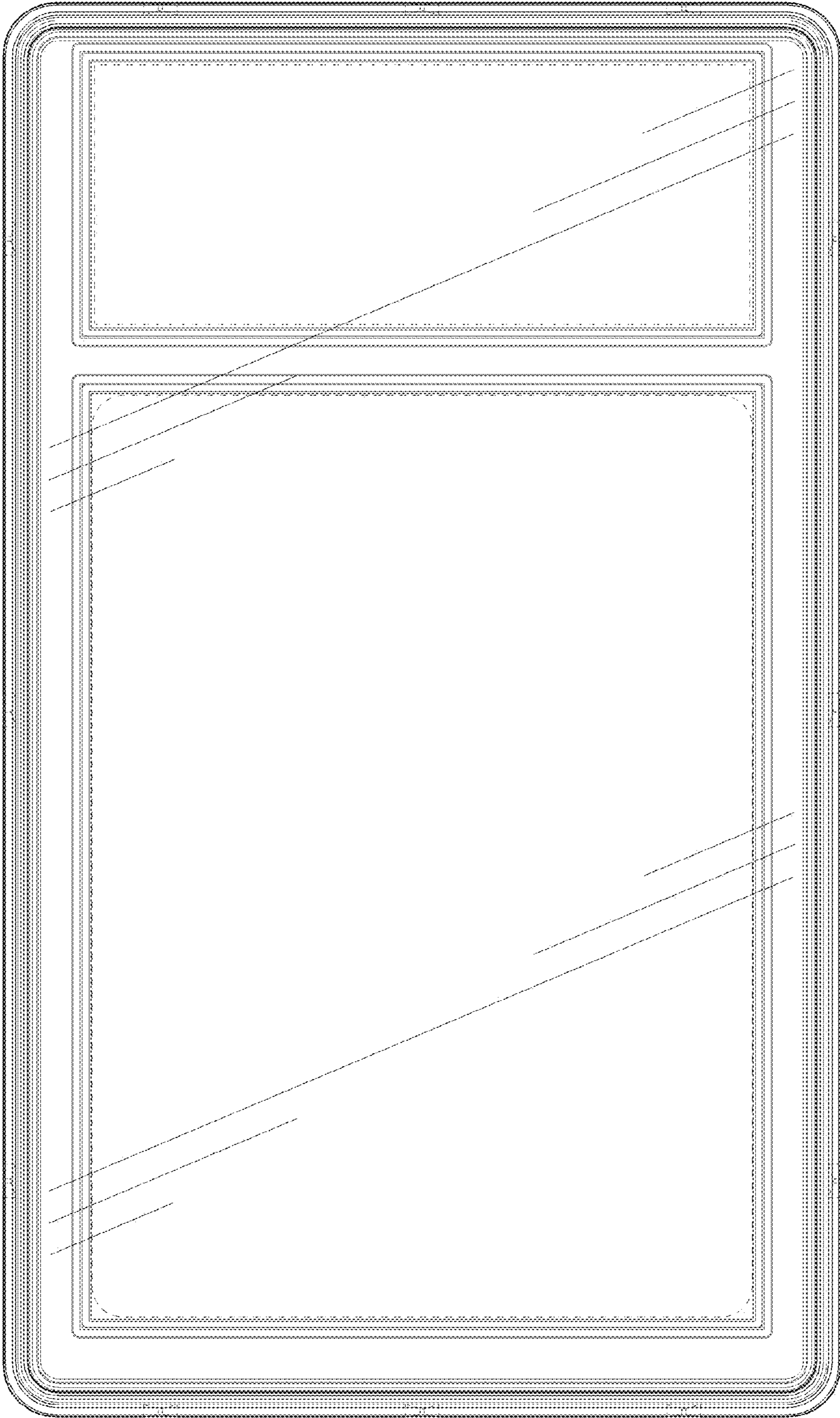


FIG. 2

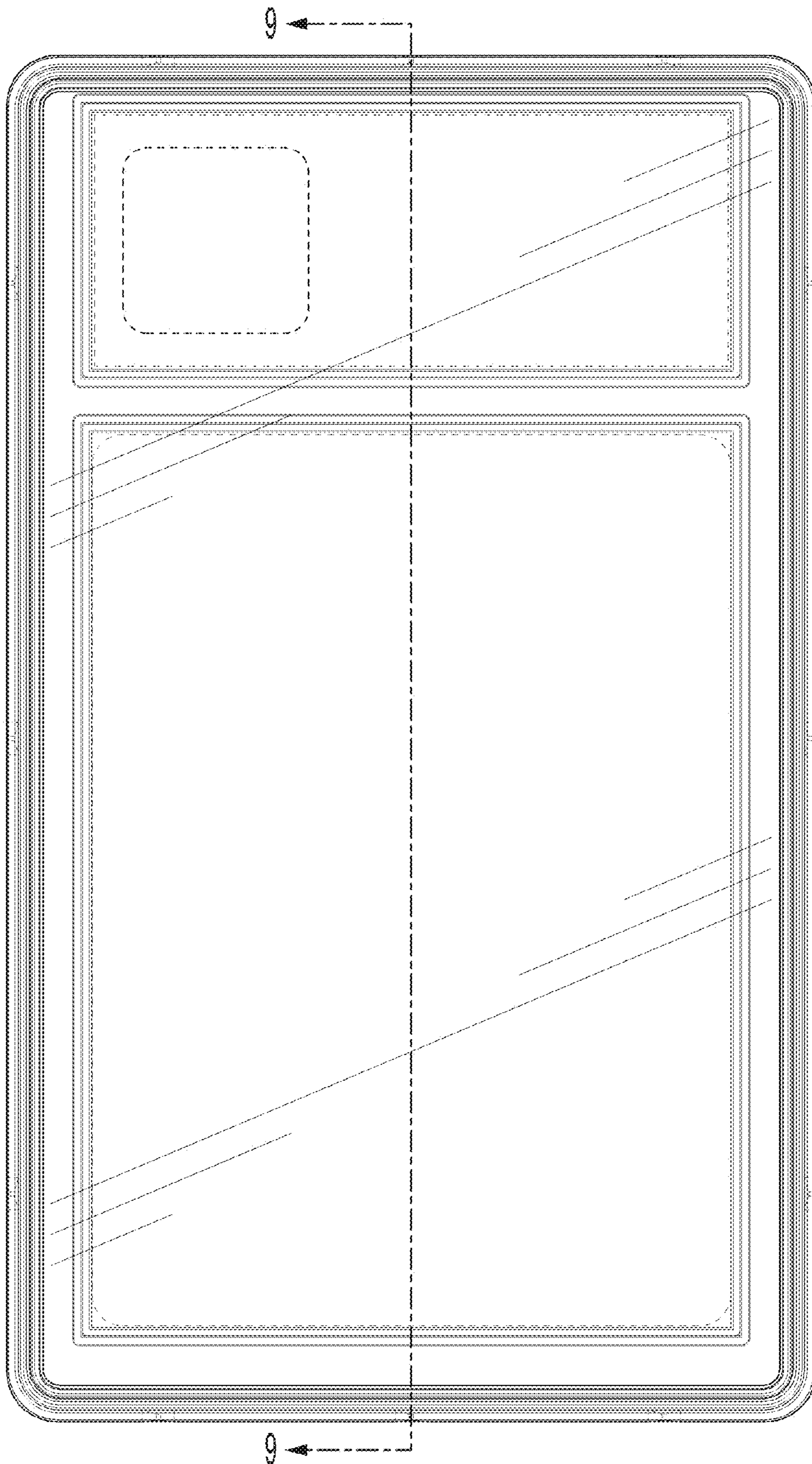


FIG. 3

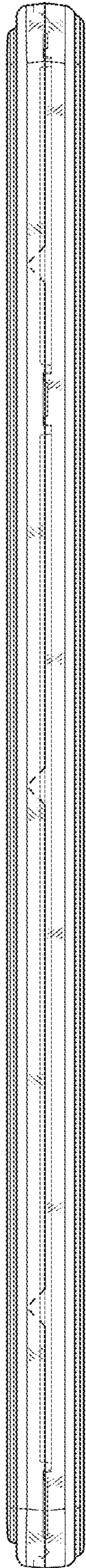


FIG. 4

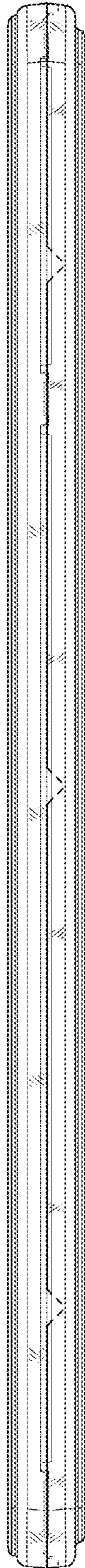


FIG. 5

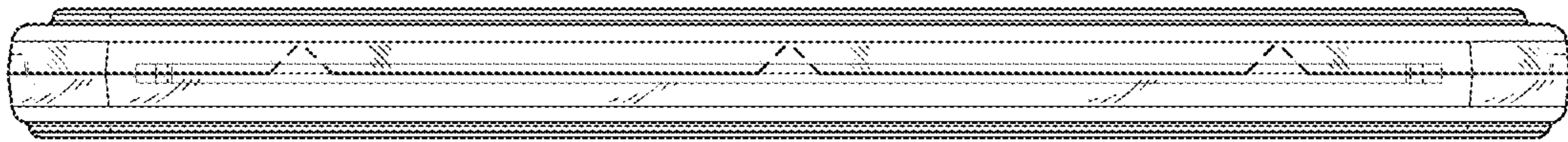


FIG. 6

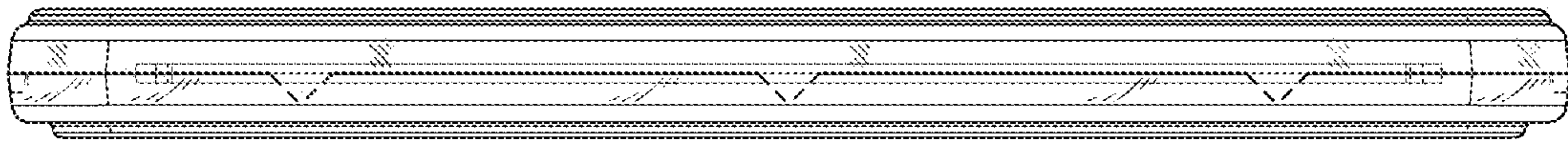


FIG. 7

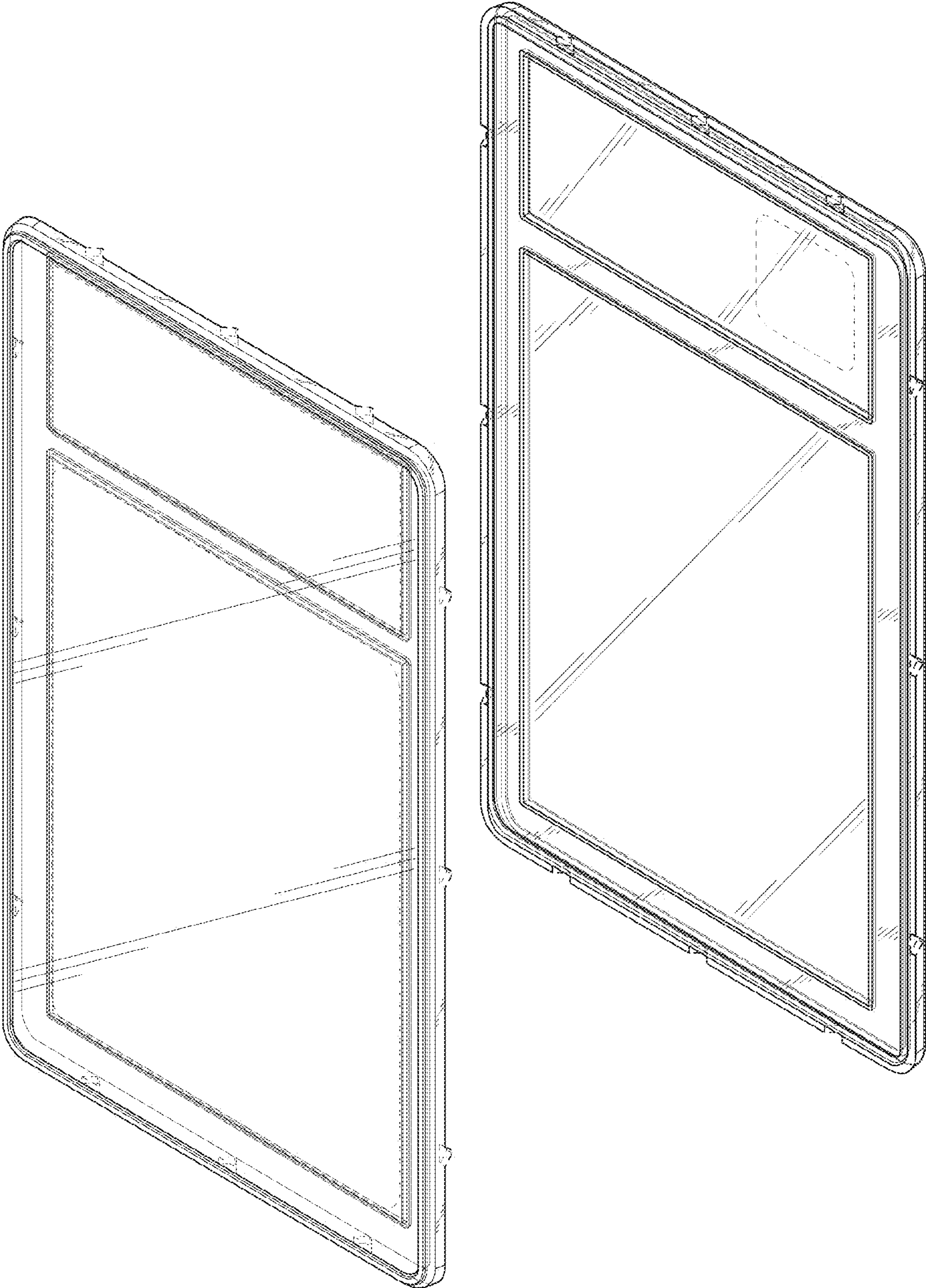


FIG. 8

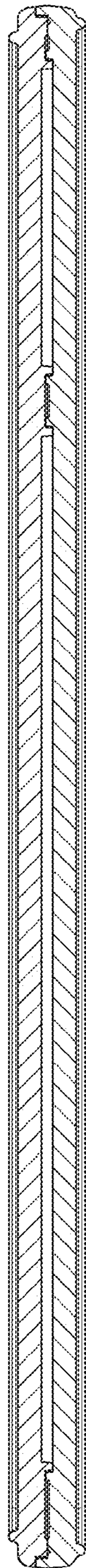


FIG. 9