



US00D971337S

(12) **United States Design Patent**
Olive et al.

(10) **Patent No.:** **US D971,337 S**

(45) **Date of Patent:** **** Nov. 29, 2022**

- (54) **GAMING MACHINE ISLAND**
- (71) Applicant: **Aristocrat Technologies Australia Pty Limited**, North Ryde (AU)
- (72) Inventors: **Scott Olive**, Brookvale (AU); **John Curtis**, Biddaddaba (AU)
- (73) Assignee: **Aristocrat Technologies Australia Pty Limited**, North Ryde (AU)

- D326,285 S 5/1992 Leveille
- 5,215,659 A 6/1993 Ando
- D360,019 S 7/1995 Sonden
- D361,154 S 8/1995 Makinen
- D369,850 S 5/1996 Cammack
- D426,269 S 6/2000 Miller, Jr.
- D444,508 S 7/2001 George
- D458,558 S 6/2002 Tschetter
- D524,185 S * 7/2006 Arlanda D11/38

(Continued)

- (**) Term: **15 Years**
- (21) Appl. No.: **29/810,260**
- (22) Filed: **Oct. 4, 2021**

Related U.S. Application Data

- (60) Continuation of application No. 29/771,639, filed on Feb. 24, 2021, now Pat. No. Des. 934,346, which is a division of application No. 29/708,289, filed on Oct. 4, 2019, now Pat. No. Des. 914,807.
- (51) **LOC (13) Cl.** **21-03**
- (52) **U.S. Cl.**
USPC **D21/369**
- (58) **Field of Classification Search**
USPC D21/369, 324, 333, 395, 300, 371, 385,
D21/397, 363, 365, 366, 367, 325, 642,
D21/370, 383, 360, 415, 428, 584, 329,
D21/349, 393, 334, 308, 392, 374, 376,
D21/380
See application file for complete search history.

(56) **References Cited**

U.S. PATENT DOCUMENTS

- D102,793 S * 1/1937 Mehlert D21/367
- D122,797 S * 10/1940 Hayes D21/367
- 3,340,633 A 9/1967 Silberman
- D262,222 S 12/1981 Vernon, Jr.
- D268,600 S 4/1983 Lee

OTHER PUBLICATIONS

Notice of Allowance dated Feb. 4, 2021 for U.S. Appl. No. 29/708,289 (pp. 1-10).

(Continued)

Primary Examiner — Khawaja Anwar
Assistant Examiner — Julice Seung Eun Oum

(74) *Attorney, Agent, or Firm* — McAndrews, Held & Malloy, Ltd.

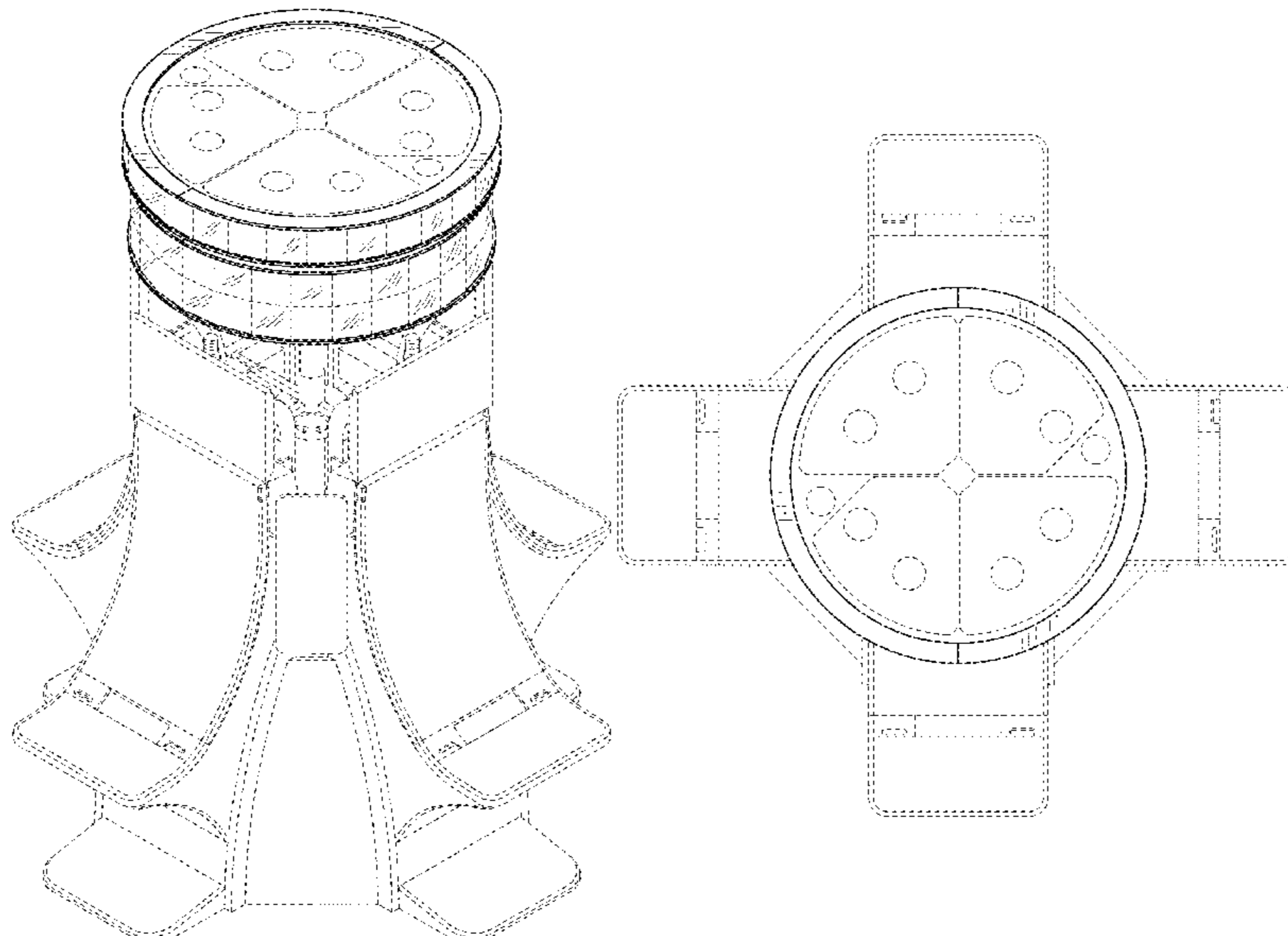
(57) **CLAIM**

The ornamental design for a gaming machine island, as shown and described.

DESCRIPTION

FIG. 1 is a front perspective view of a gaming machine island showing our new design according to a first embodiment;
 FIG. 2 is a front elevation view thereof;
 FIG. 3 is a rear elevation view thereof;
 FIG. 4 is a right side elevation view thereof;
 FIG. 5 is a left side elevation view thereof;
 FIG. 6 is a top plan view thereof; and,
 FIG. 7 is a bottom plan view thereof.
 The dashed broken lines in the figures illustrate portions of the gaming machine island that form no part of the claimed design.

1 Claim, 7 Drawing Sheets



(56)

References Cited

U.S. PATENT DOCUMENTS

D571,440 S 6/2008 Kanao
 D572,770 S 7/2008 Seelig
 D607,945 S 1/2010 Guinchard
 D652,462 S * 1/2012 Sun D21/300
 D665,953 S 8/2012 Leary
 8,256,151 B2 9/2012 Stafford
 D705,363 S 5/2014 Inoue
 D707,301 S 6/2014 Inoue
 D711,874 S * 8/2014 Cope D6/309
 D714,875 S 10/2014 Wudtke
 D719,747 S * 12/2014 Mischel, Jr. D6/309
 D769,985 S 10/2016 Roberts
 9,728,031 B2 8/2017 Schultz
 D810,829 S 2/2018 Loynes
 D810,830 S 2/2018 Sharp
 D819,482 S * 6/2018 Herman D11/26
 10,019,873 B2 7/2018 Okuaki
 D845,150 S 4/2019 Shlyakhturov
 D845,258 S 4/2019 D'Ambrosio
 D859,335 S 9/2019 D'Ambrosio
 D862,602 S 10/2019 Kariya
 D868,717 S 12/2019 Hodgson
 D873,821 S 1/2020 Song
 D877,811 S 3/2020 Bernard
 D880,605 S 4/2020 Bussey
 D882,699 S 4/2020 Bernard
 D882,700 S 4/2020 Wudtke
 D883,393 S 5/2020 Bernard
 D884,540 S * 5/2020 Tse D11/37
 D891,520 S 7/2020 Urban
 D899,525 S 10/2020 Egar
 D900,229 S 10/2020 Bussey
 D904,523 S 12/2020 Legras
 D905,791 S 12/2020 French
 D905,792 S 12/2020 Baerlocher
 D906,155 S 12/2020 Freiberg
 D907,127 S 1/2021 Olive
 D907,129 S 1/2021 Olive
 D909,479 S 2/2021 Abele
 D911,207 S 2/2021 Grace
 D913,140 S 3/2021 Grace
 D913,375 S * 3/2021 Smart D21/333

D914,807 S 3/2021 Olive
 D916,969 S 4/2021 Fleming, Jr.
 D919,708 S 5/2021 Bussey
 D934,346 S 10/2021 Olive
 D948,621 S 4/2022 Jadeja
 D952,750 S 5/2022 Kulujian
 D952,751 S 5/2022 Kulujian
 D952,752 S 5/2022 Kulujian
 D952,753 S 5/2022 Kulujian
 D952,754 S 5/2022 Kulujian
 D952,755 S 5/2022 Kulujian
 D954,829 S 6/2022 Olive
 2001/0008074 A1 7/2001 Radley-Smith
 2005/0189906 A1 9/2005 Sun
 2007/0095105 A1 5/2007 Dagesian
 2009/0023491 A1 1/2009 Ikeya
 2012/0239521 A1 9/2012 Acworth
 2014/0123702 A1 5/2014 Pierce
 2014/0326022 A1 11/2014 Tosyali
 2015/0045099 A1 * 2/2015 Okuaki G07F 17/322
 463/7
 2015/0348354 A1 * 12/2015 Okuaki G07F 17/3213
 463/17
 2019/0102974 A1 4/2019 Bussey
 2020/0364969 A1 11/2020 Pececnik
 2020/0372757 A1 11/2020 Cire
 2020/0388106 A1 12/2020 Urban

OTHER PUBLICATIONS

Notice of Allowance dated Jul. 22, 2021 for U.S. Appl. No. 29/771,639 (pp. 1-8).
 Notice of Allowance dated Jan. 12, 2022 for U.S. Appl. No. 29/735,520 (pp. 1-10).
 "Aristocrat Gaming Machine", posted Mar. 15, 2021 [Online], [retrieved Dec. 13, 2021]. Retrieved from Internet, Aristocrat's Buffalo Link now available on MarsX Portrait Cabinet.
 "Aristocrat Gaming Machine", posted Mar. 17, 2021 [Online], [retrieved Dec. 13, 2021]. Retrieved from Internet, <https://oldencasinonews.com/blog/2021/03/17/aristocrats-buffalo-link-now-available-on-marsx-portrait-cabinet/>.
 Notice of Allowance dated Jun. 29, 2022 for U.S. Appl. No. 29/827,938 (pp. 1-7).

* cited by examiner

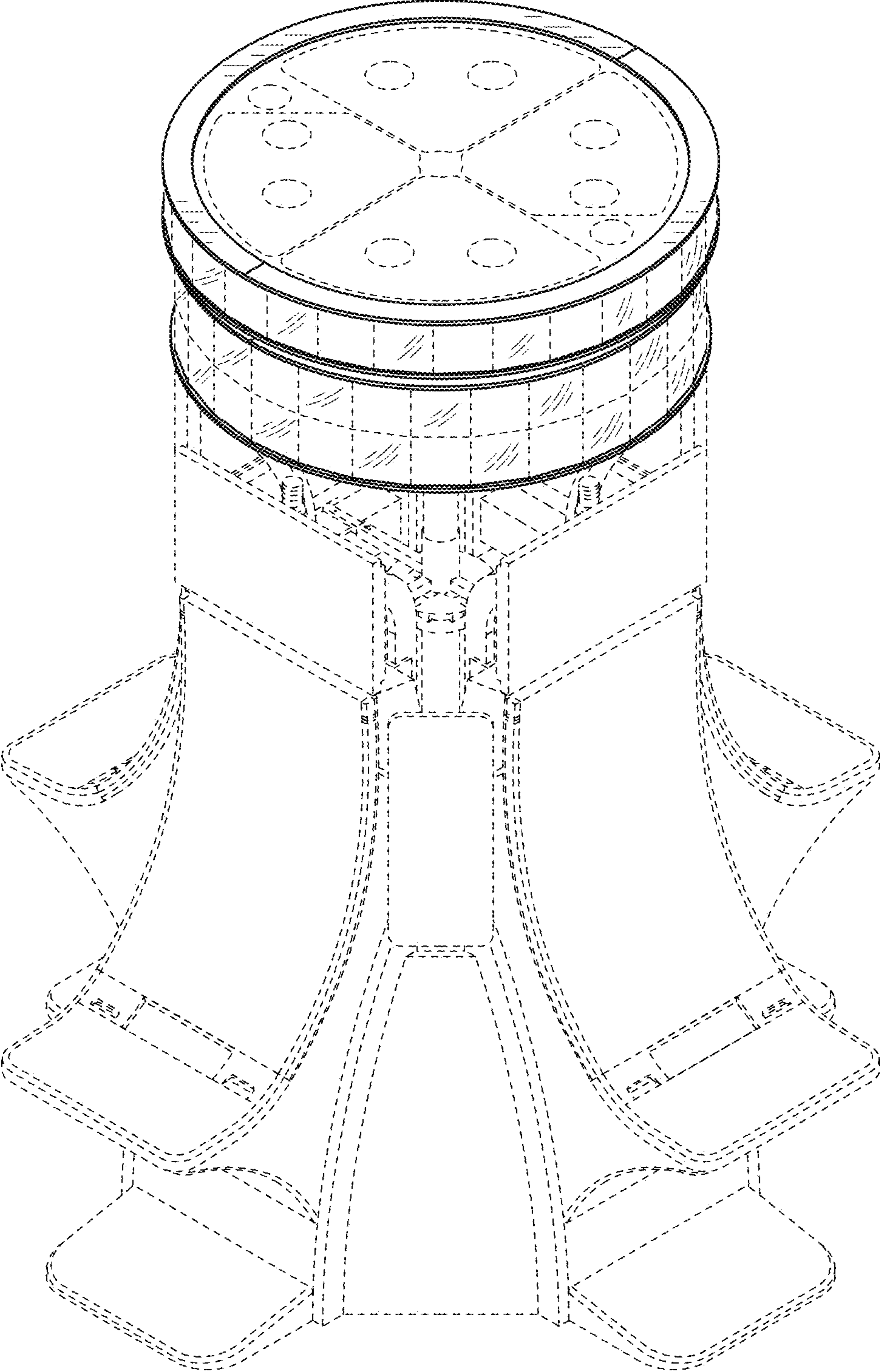


FIG. 1

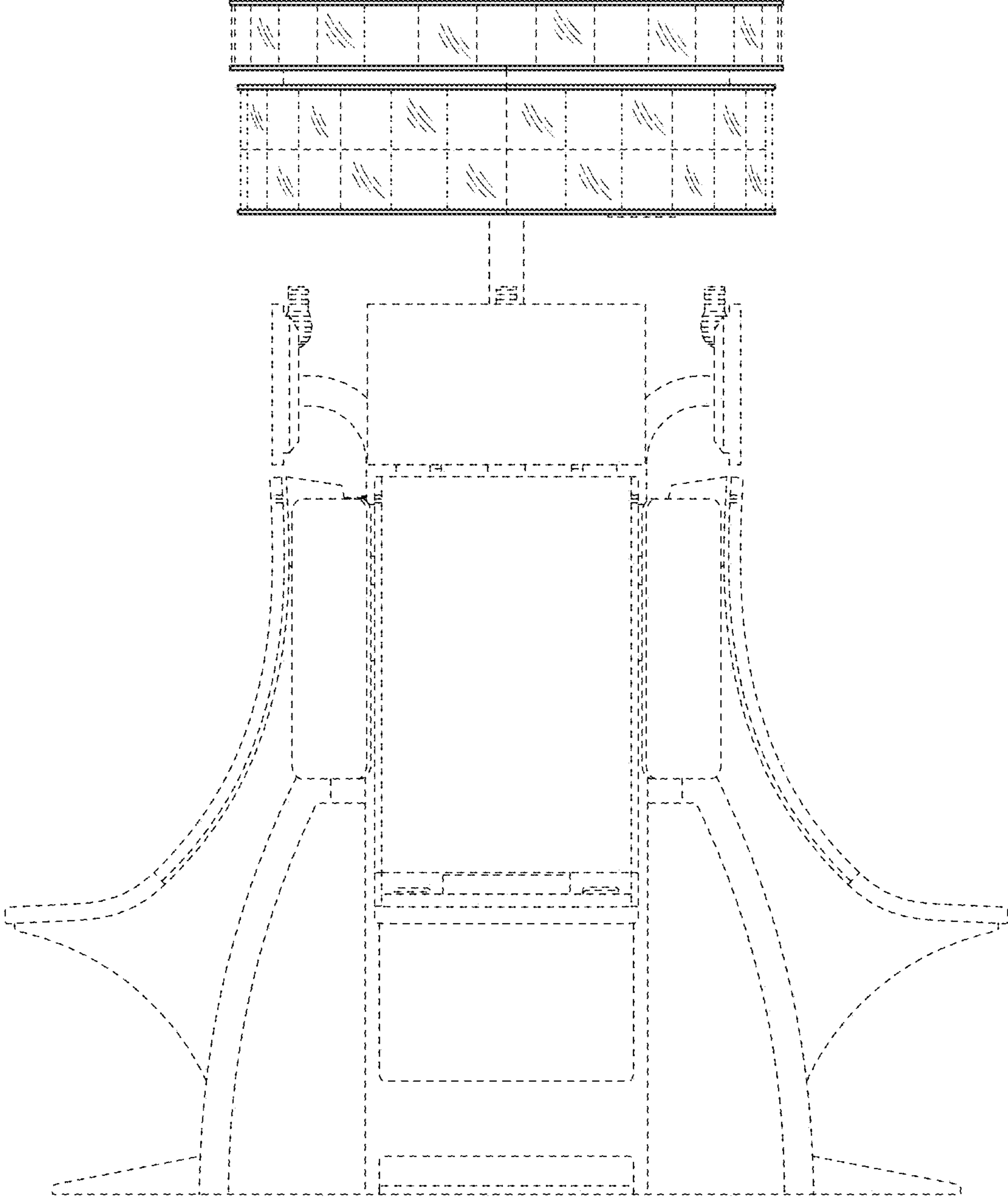


FIG. 2

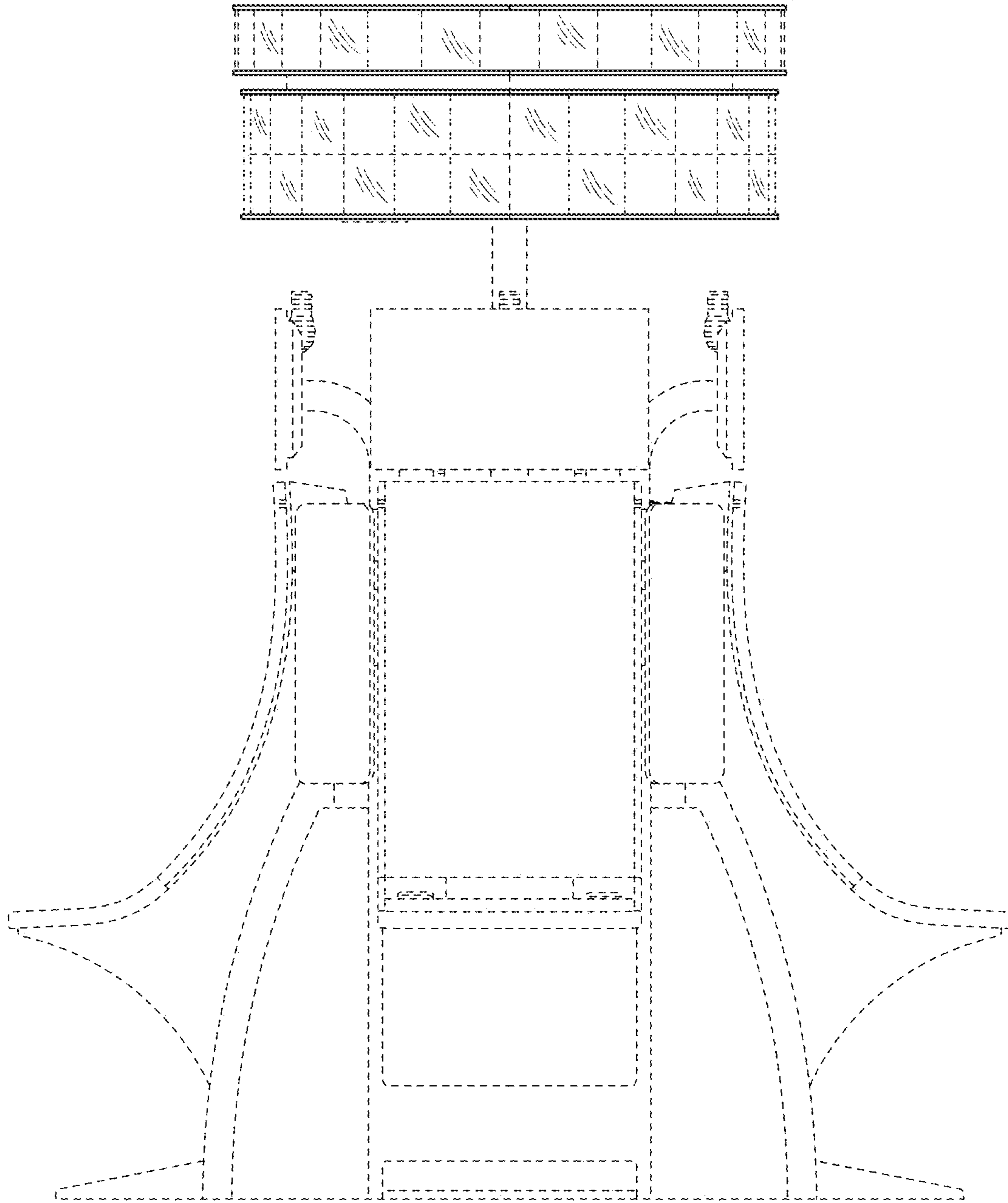


FIG. 3

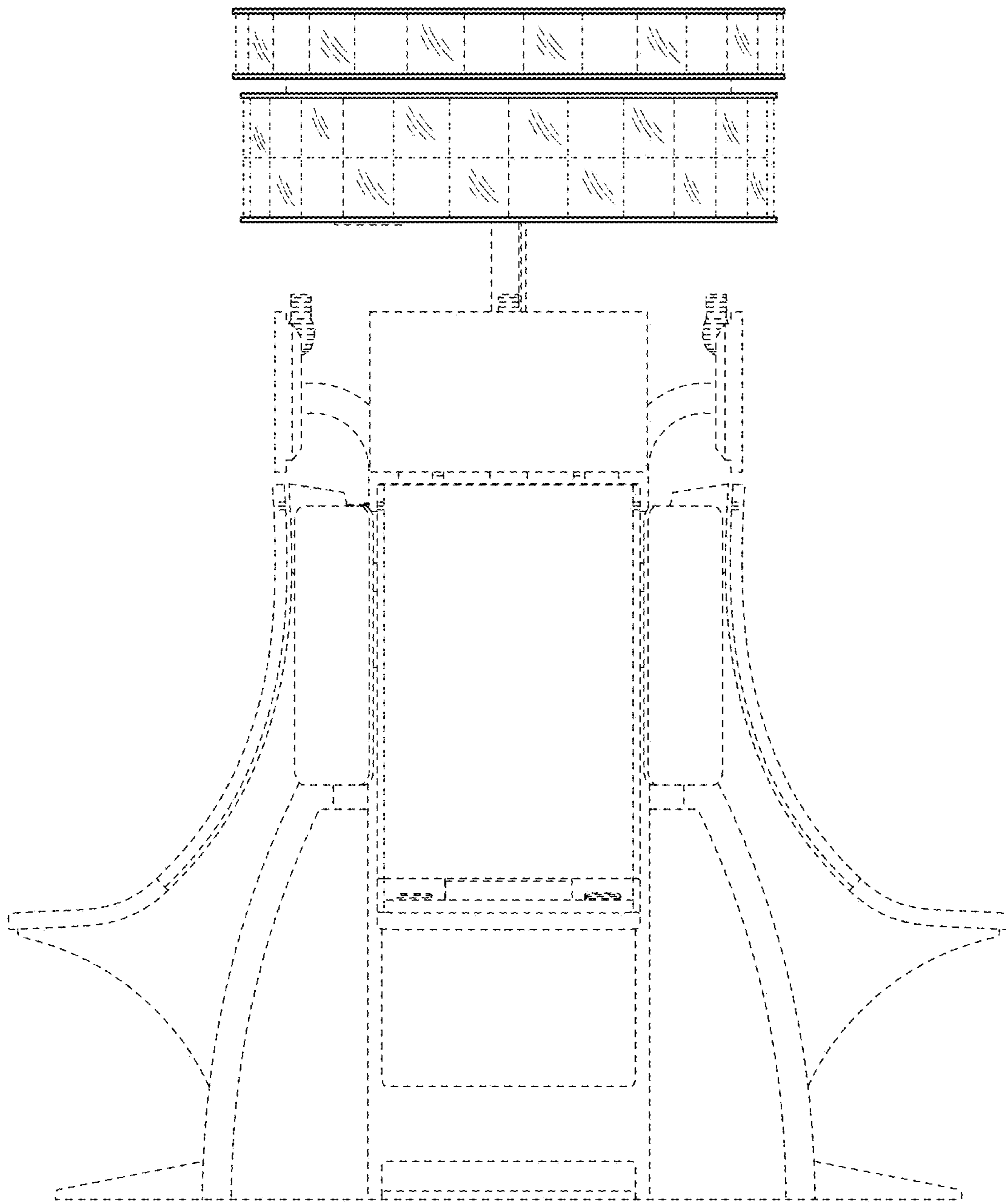


FIG. 4

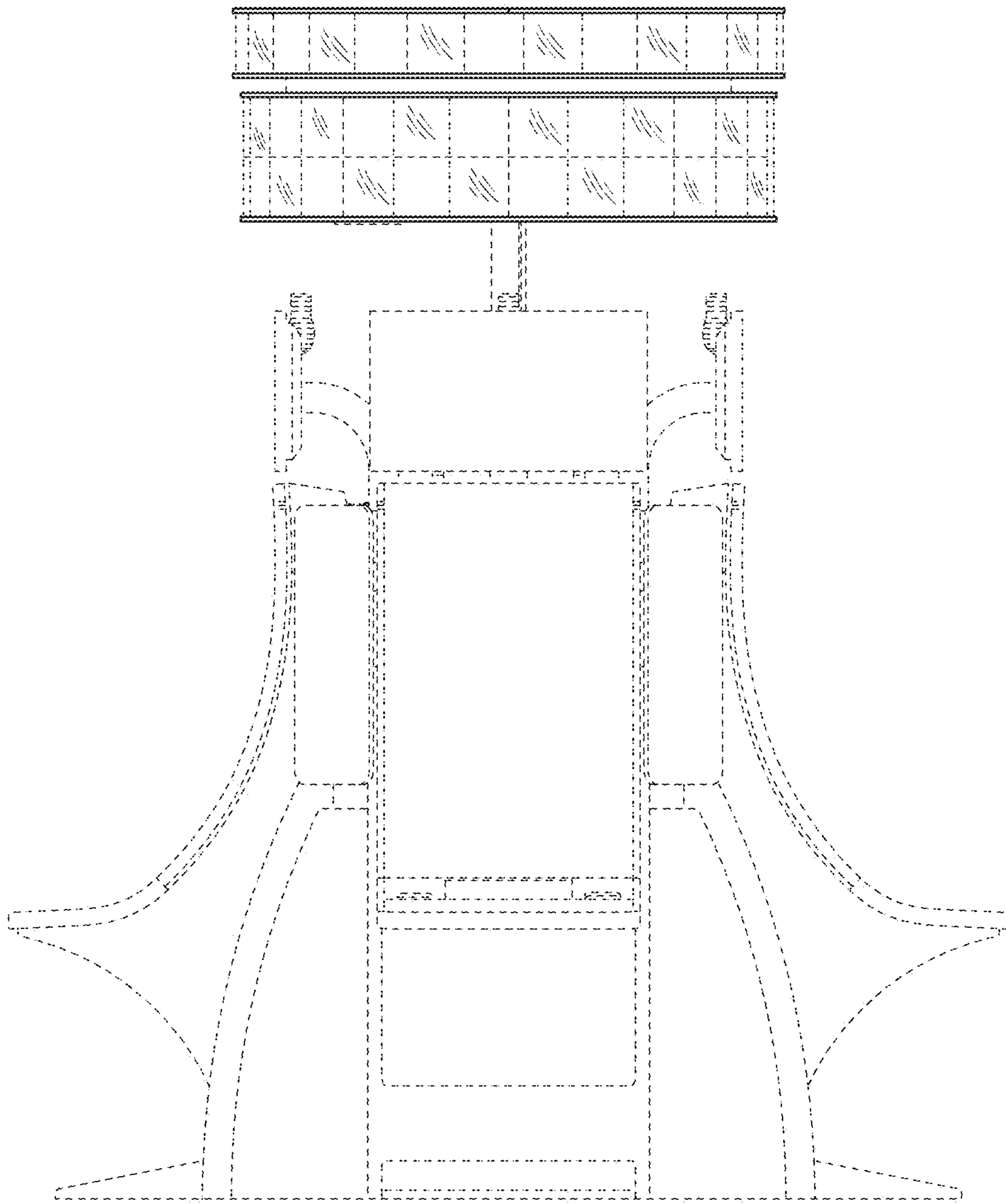


FIG. 5

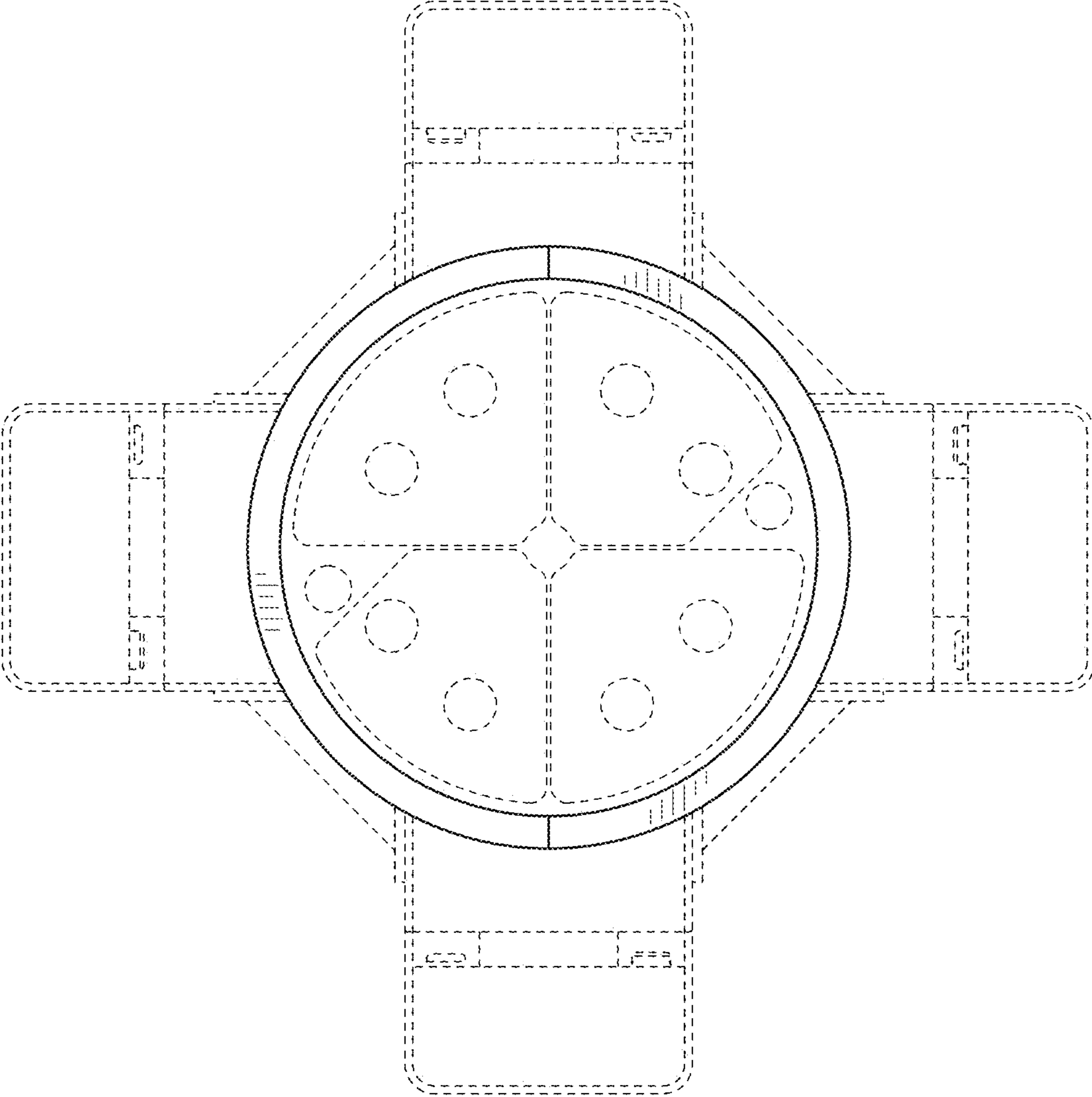


FIG. 6

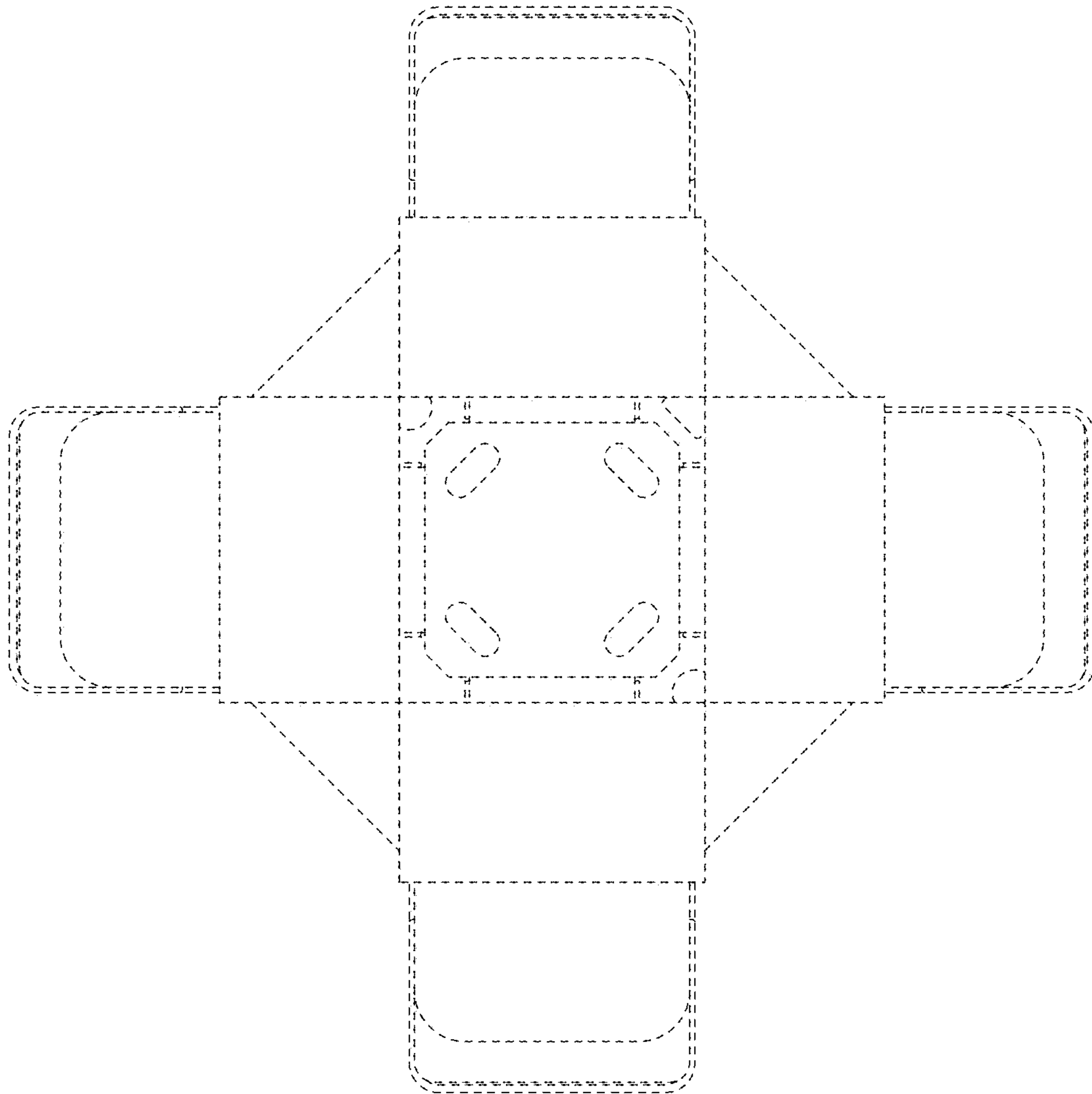


FIG. 7