



US00D971336S

(12) **United States Design Patent**
Conrad

(10) **Patent No.:** **US D971,336 S**

(45) **Date of Patent:** **** Nov. 29, 2022**

(54) **INPUT DEVICE FOR ELECTRONIC AND
COMPUTER EQUIPMENT**

(71) Applicant: **Endor AG**, Landshut (DE)

(72) Inventor: **Bernhard Conrad**, Buch am Erlbach
(DE)

(**) Term: **15 Years**

(21) Appl. No.: **35/512,762**

(22) Filed: **Aug. 23, 2021**

(80) **Hague Agreement Data**

Int. Filing Date: **Aug. 23, 2021**

Int. Reg. No.: **DM/216722**

Int. Reg. Date: **Aug. 23, 2021**

Int. Reg. Pub. Date: **Oct. 15, 2021**

(51) **LOC (13) Cl.** **21-01**

(52) **U.S. Cl.**

USPC **D21/333**; D14/433; D21/477

(58) **Field of Classification Search**

USPC D14/356, 357, 432, 433, 299, 217, 256,
D14/388, 454, 435, 435.1, 412, 413, 419;
D13/120, 133, 135, 138.1, 146, 147, 148,
D13/154, 155, 156, 199, 153; D21/333,
D21/477; D12/174, 175, 177

CPC A63F 13/20; A63F 13/24; A63F 13/245;
A63F 2300/1062

See application file for complete search history.

(56) **References Cited**

U.S. PATENT DOCUMENTS

D451,557 S * 12/2001 Yu D21/333
D459,301 S * 6/2002 Fan Wong D13/133
D460,043 S * 7/2002 Fan Wong D13/133
D497,365 S * 10/2004 Hussaini D14/416
D506,439 S * 6/2005 Wang D13/133
D553,622 S * 10/2007 Petrotta D21/324
D558,651 S * 1/2008 Ikeda D14/401
D566,781 S * 4/2008 Ikeda D14/419

D692,427 S * 10/2013 Janson D14/433
D769,877 S * 10/2016 Akana D14/433
D911,447 S * 2/2021 Conrad D21/333
D919,707 S * 5/2021 Conrad D23/262
11,179,629 B1 * 11/2021 Bernasch A63F 13/245
D941,924 S * 1/2022 Jackermeier D21/333
D954,840 S * 6/2022 Jackermeier D21/333
D954,841 S * 6/2022 Conrad D21/333
D955,489 S * 6/2022 Conrad D21/333
D960,245 S * 8/2022 Jackermeier D21/333

(Continued)

FOREIGN PATENT DOCUMENTS

CN 110186698 A * 8/2019 A63F 13/245
CN 112107851 A * 12/2020 A63F 13/245
CN 306687913 * 7/2021

(Continued)

OTHER PUBLICATIONS

Review—Fanatec DD1 & DD2 vs Simucube 2 Sport & Pro—A
Month of Testing, (online video) 1 pg. posted Sep. 10, 2020
[retrieved Sep. 7, 2022] <https://www.youtube.com/watch?v=10O6FVjgiRg>.*

(Continued)

Primary Examiner — Marie D. Fast Horse

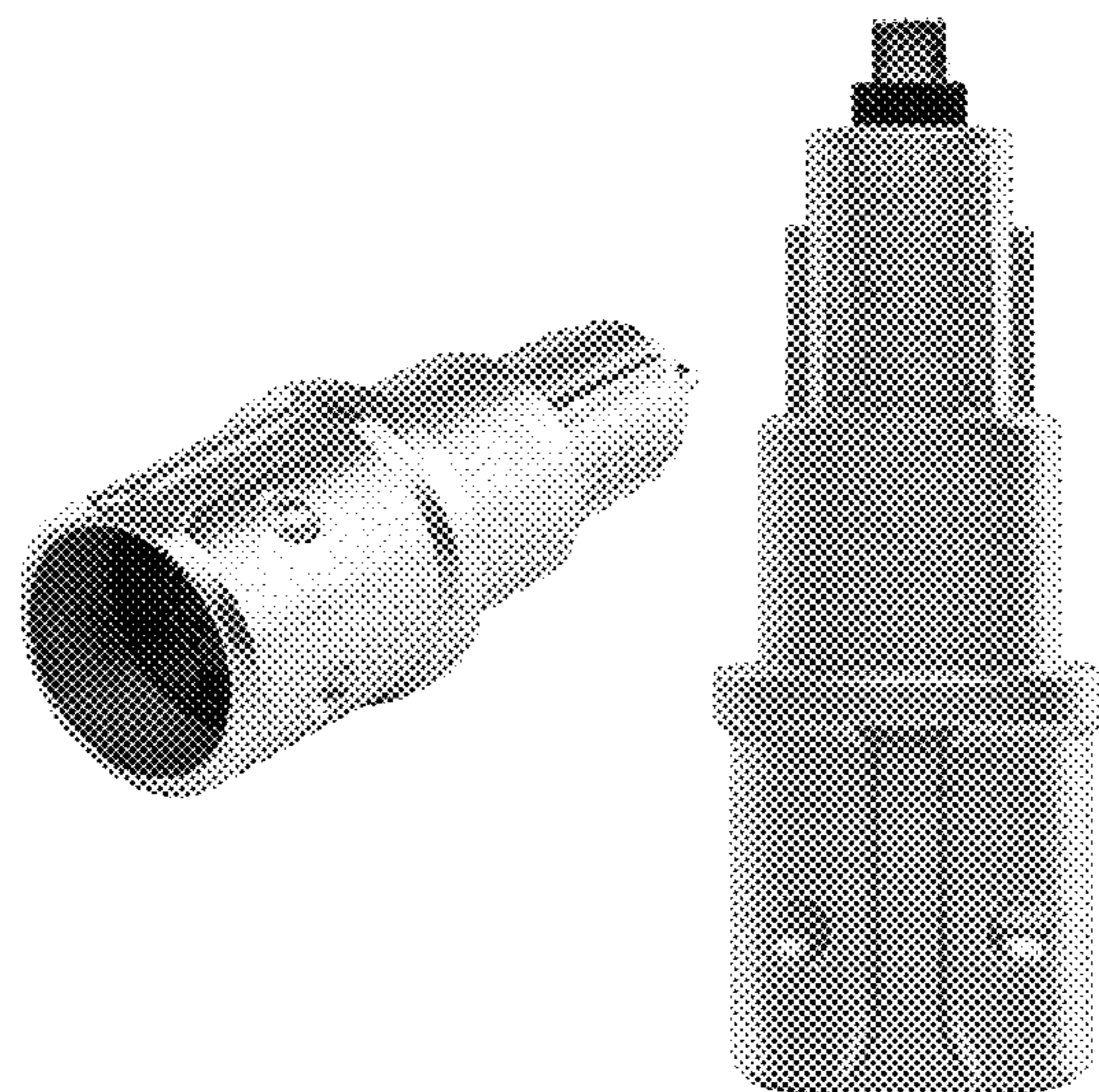
(57) **CLAIM**

The ornamental design for input device for electronic and
computer equipment, as shown and described.

DESCRIPTION

- 1. Input device for electronic and computer equipment
- 1.1 : Top
- 1.2 : Perspective
- 1.3 : Side view
- 1.4 : Perspective
- 1.5 : Bottom
- 1.6 : Back
- 1.7 : Front

1 Claim, 7 Drawing Sheets



(56)

References Cited

U.S. PATENT DOCUMENTS

D962,347 S * 8/2022 Day D21/333
2022/0171470 A1 * 6/2022 Drezet A63F 13/245

FOREIGN PATENT DOCUMENTS

CN 113599801 A * 11/2021 A63F 13/245
CN 114377380 A * 4/2022 A63F 13/245

OTHER PUBLICATIONS

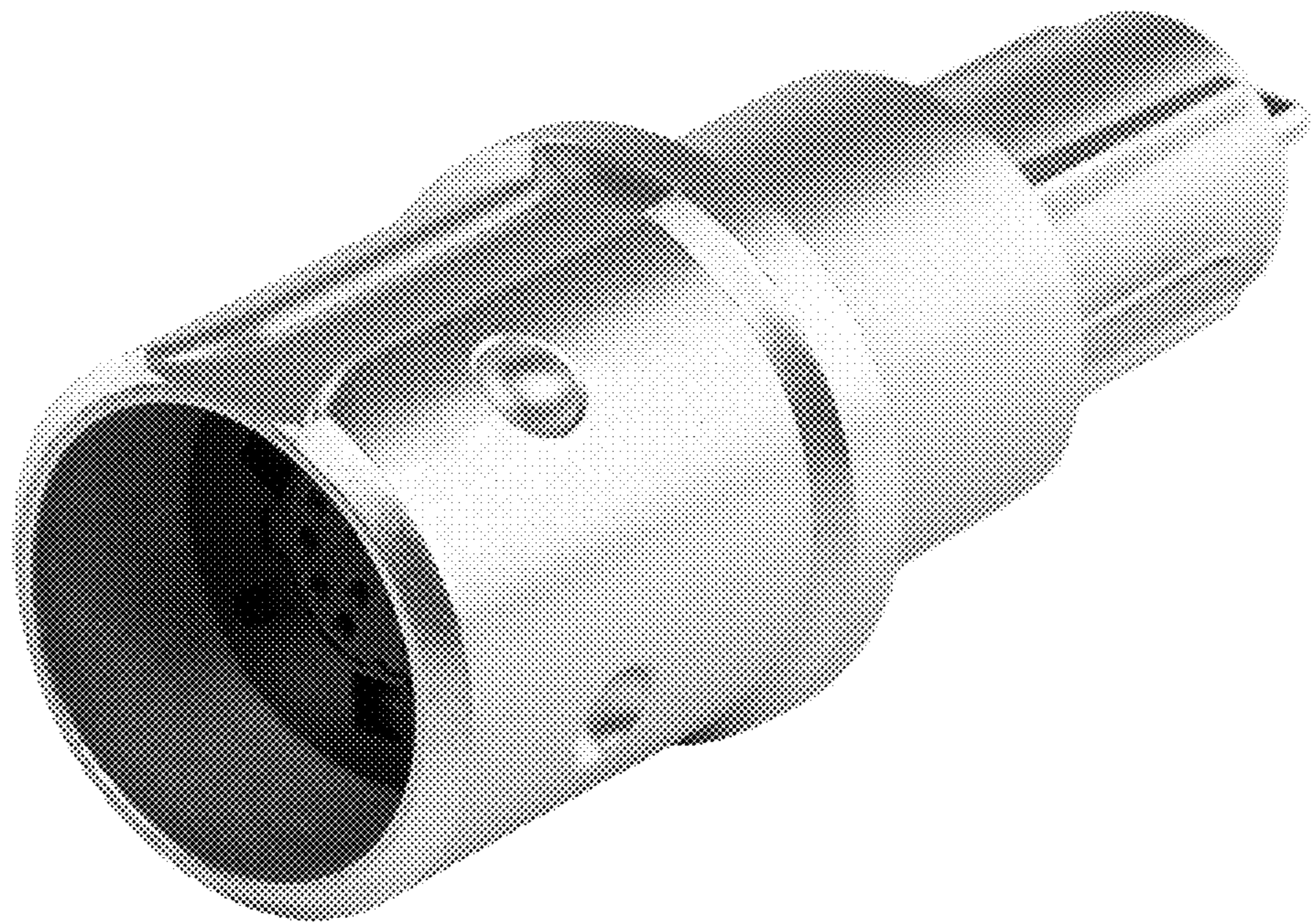
Fanatec CSL Elite Wheel Base V1_1 Sim Racing for PC—XBOX
One ready, (online video) 1 pg. posted Jun. 4, 2019 [retrieved Sep.
7, 2022] <https://www.youtube.com/watch?v=gX5WP0mUi84>.
Fanatec CSL DD Unboxing and First Impressions. (I Just Upgraded
From A Logitech G29!) (online video) 1 pg. posted Sep. 1, 2021
[retrieved Sep. 7, 2022] <https://www.youtube.com/watch?v=V2hMVQIOZHY>.

* cited by examiner

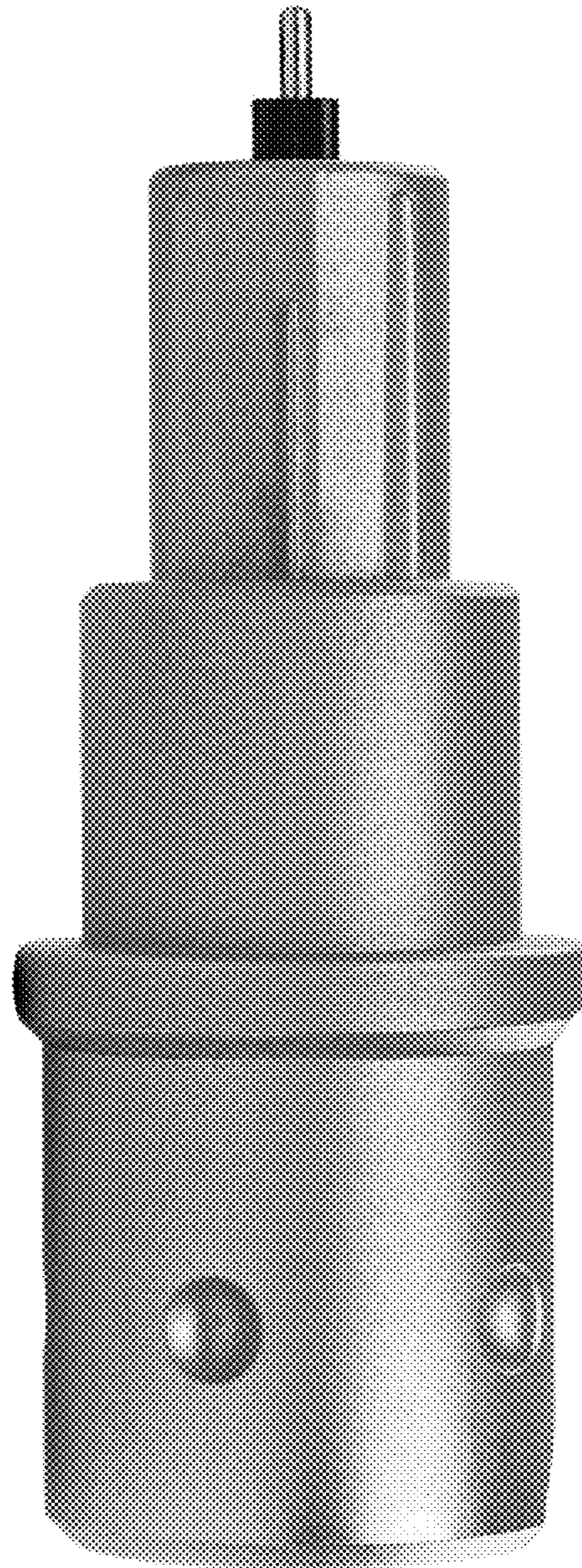
1.1



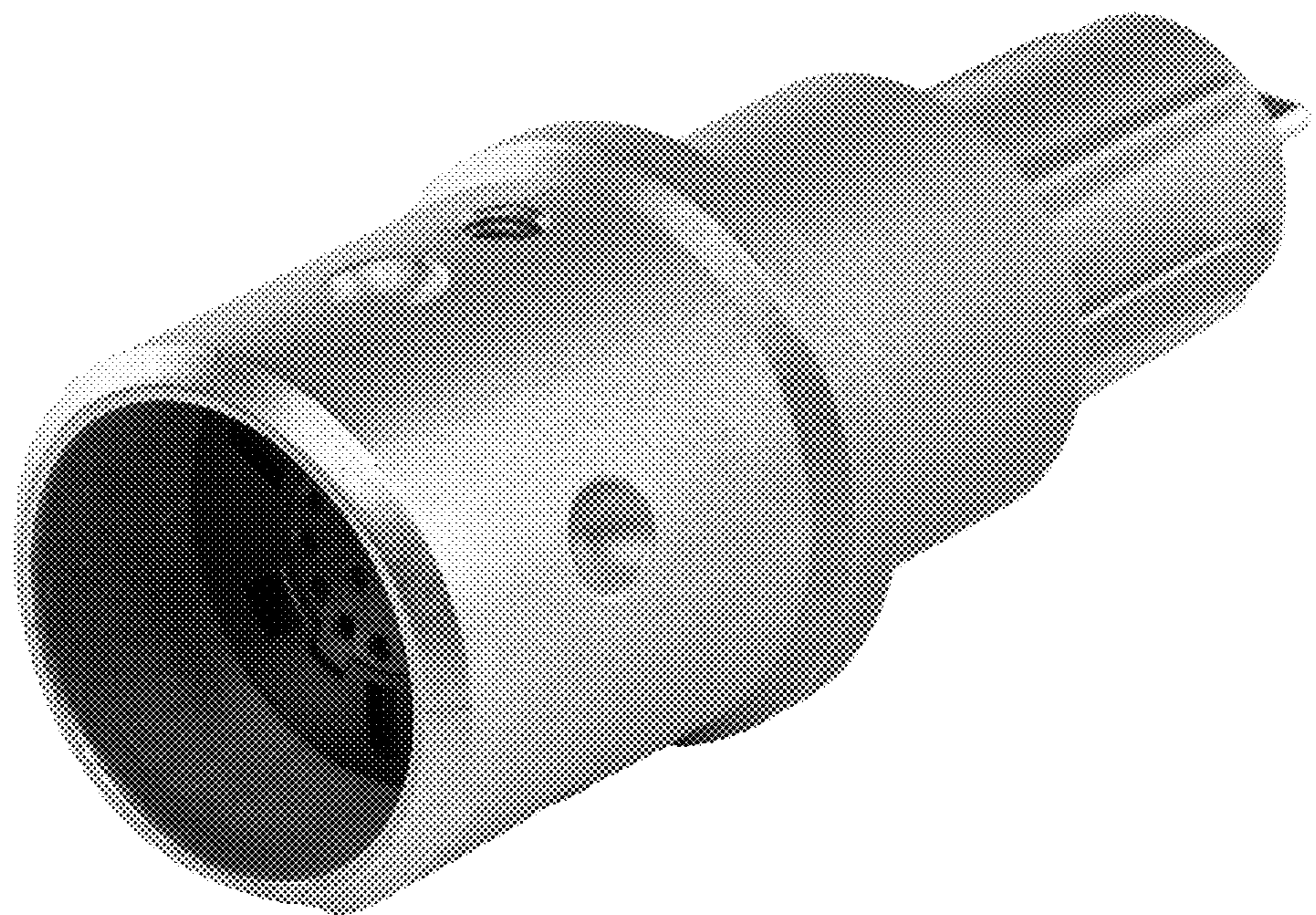
1.2



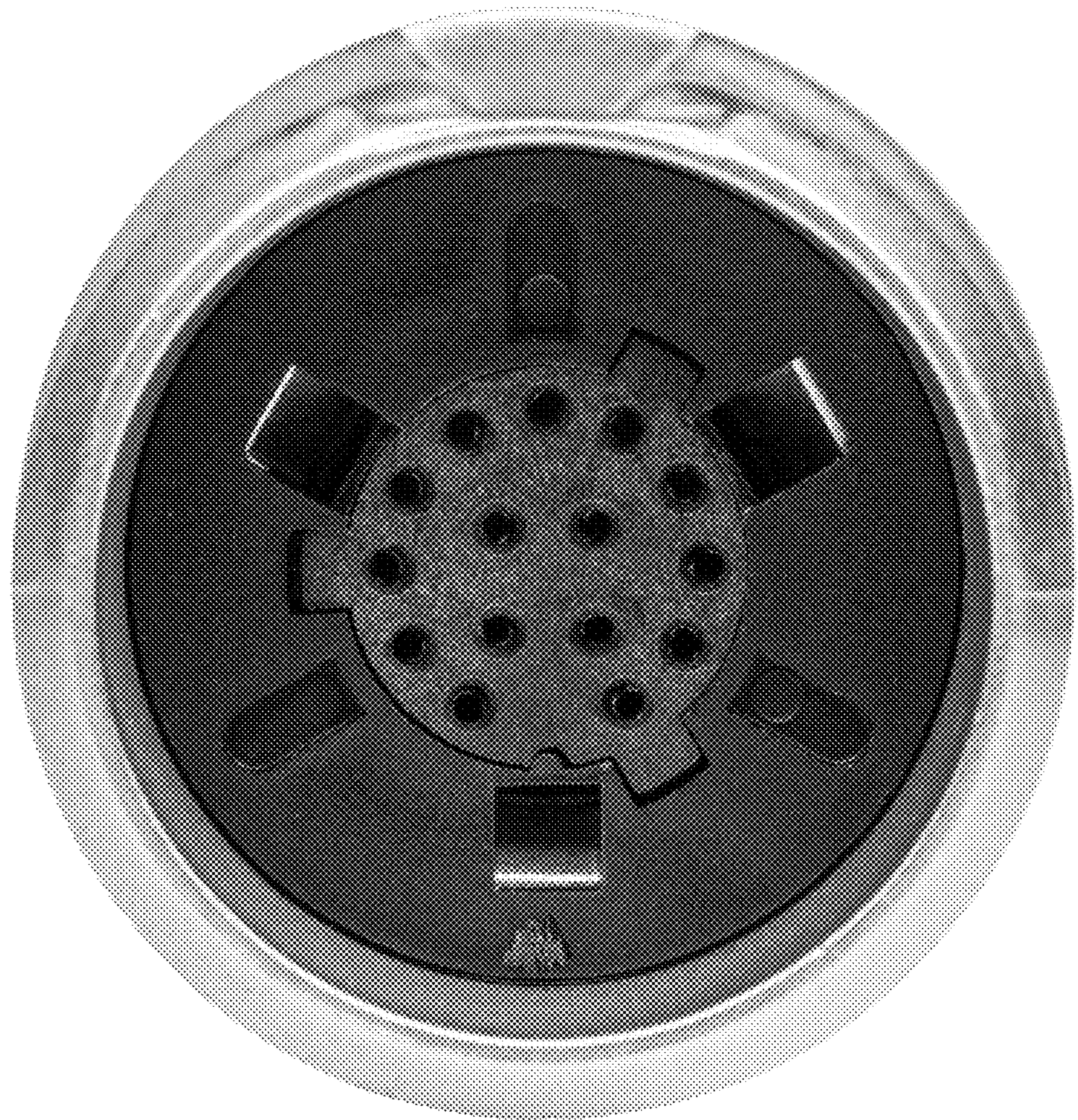
1.3



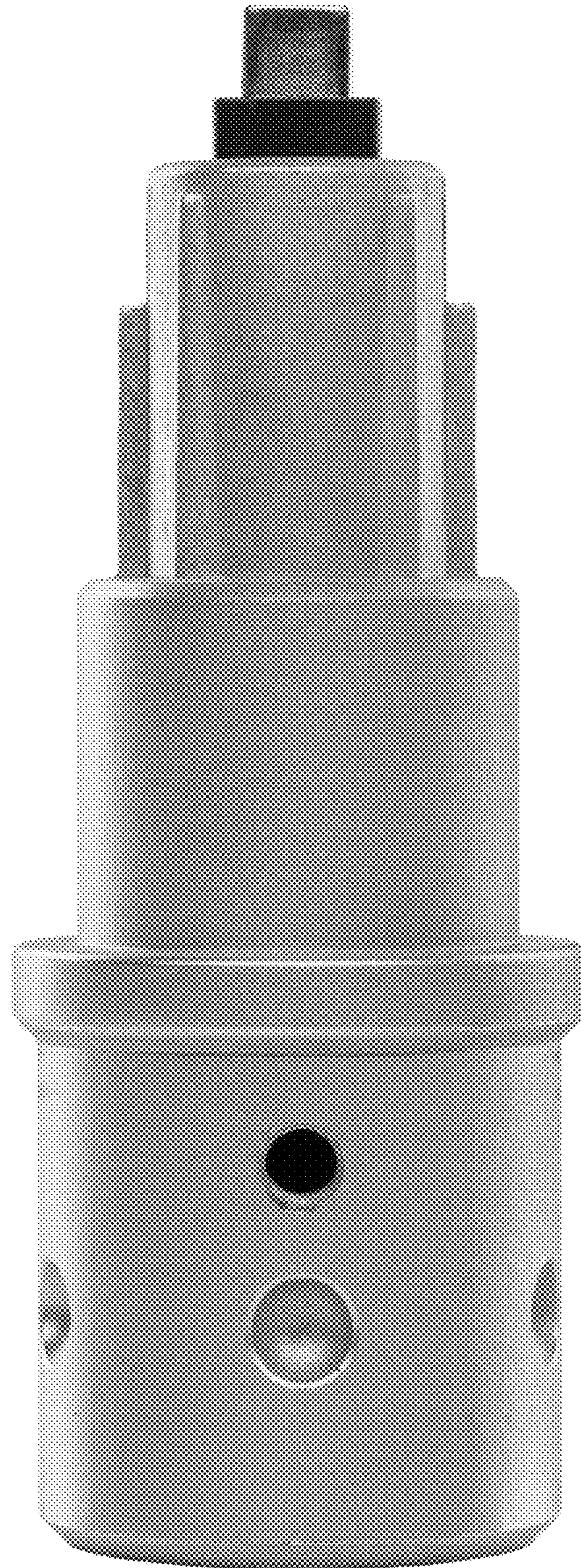
1.4



1.5



1.6



1.7

