



US00D971335S

(12) **United States Design Patent**
Zhu

(10) **Patent No.:** **US D971,335 S**

(45) **Date of Patent:** **** Nov. 29, 2022**

- (54) **STICKER FOR A GAME PLAYER**
- (71) Applicant: **Jiarui Zhu**, Zhongshan (CN)
- (72) Inventor: **Jiarui Zhu**, Zhongshan (CN)
- (**) Term: **15 Years**
- (21) Appl. No.: **29/843,219**
- (22) Filed: **Jun. 19, 2022**
- (51) **LOC (13) Cl.** **21-01**
- (52) **U.S. Cl.**
USPC **D21/333**
- (58) **Field of Classification Search**
USPC D21/332, 333; D14/250, 345, 353, 401,
D14/402, 425, 440, 441, 444, 449-450,
D14/454, 455, 456; D12/163, 170, 171,
D12/216; D6/703.3, 703.4, 703.5;
D23/381, 335; D24/189
CPC A63F 13/98; A63F 2007/3095; C09J 7/38;
C09J 2201/122; G06F 3/03543; G06F
2203/0333
See application file for complete search history.

D909,488 S *	2/2021	Zheng	D21/333
D919,009 S *	5/2021	Buller	D21/333
D924,877 S *	7/2021	Weng	D14/440
D928,113 S *	8/2021	Guack	D21/333
D930,082 S *	9/2021	Buller	D21/333
D930,083 S *	9/2021	Buller	D21/333
D932,552 S *	10/2021	Morisawa	D21/333
D932,553 S *	10/2021	Morisawa	D21/333
D938,524 S *	12/2021	Buller	D21/333
D953,432 S *	5/2022	Zhu	D21/333
D953,433 S *	5/2022	Zhu	D21/333
D954,836 S *	6/2022	Zhu	D21/333
D958,890 S *	7/2022	Zhu	D21/333
D959,561 S *	8/2022	Zhang	D21/333
D960,990 S *	8/2022	Morisawa	D21/333

OTHER PUBLICATIONS

https://www.amazon.com/dp/B09XM84Y6V/ref=sspa_dk_detail_3?psc=1&pd_rd_i=B09XM84Y6V&pd_rd_w=zSGUe&content-id=amzn1.sym.3be1c5b%E2%80%A6

* cited by examiner

Primary Examiner — Mehri F Bajoul

(57) **CLAIM**

The ornamental design for a sticker for a game player, as shown and described.

DESCRIPTION

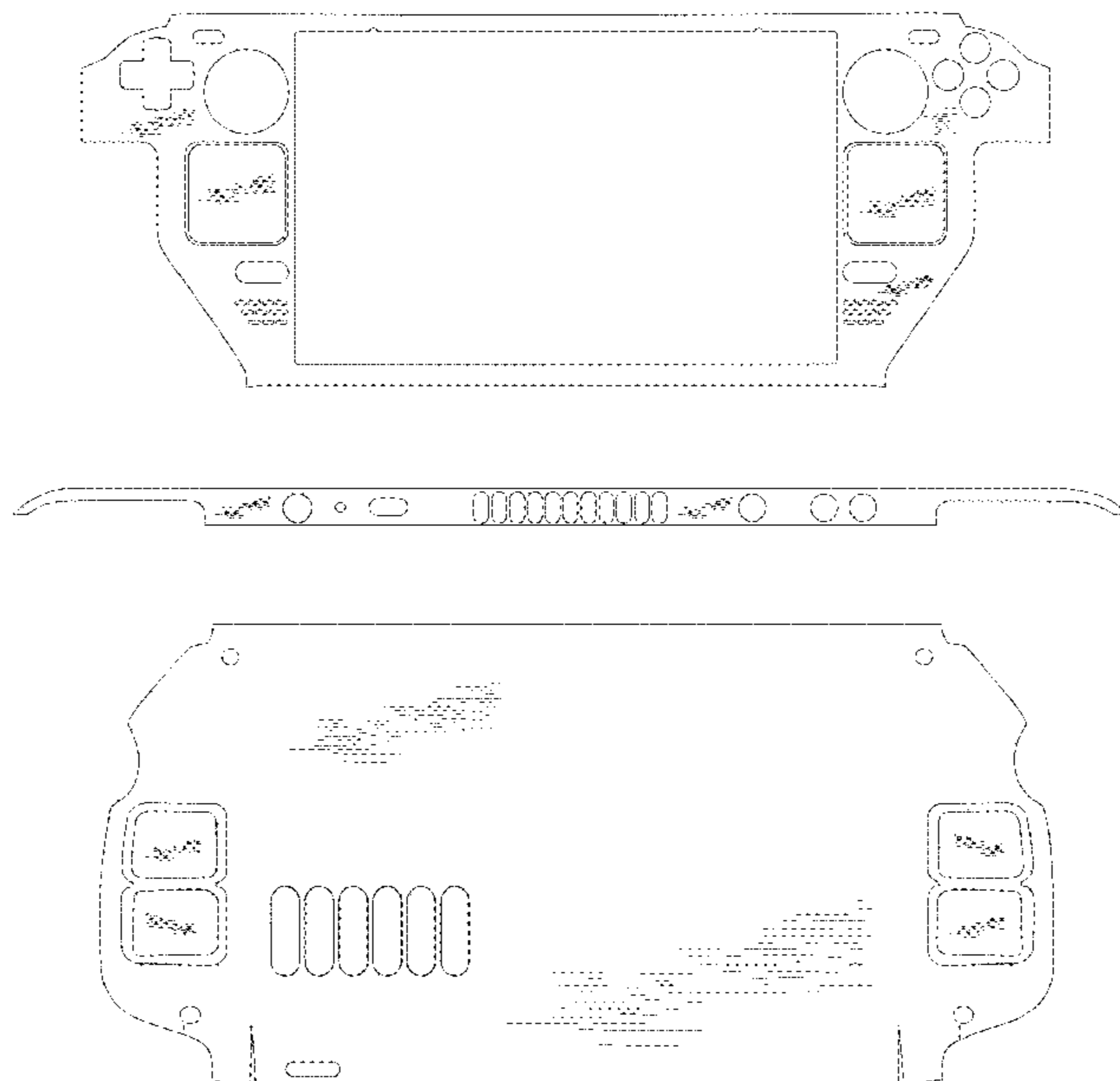
FIG. 1 is a front view of the top, bottom and back pieces of a sticker for a game player, showing my new design; FIG. 2 is a front view of the top piece showing the sticker for a game player in its environment of use; FIG. 3 is a top, right perspective view of the sticker for a game player in its environment of use; and, FIG. 4 is a bottom perspective view thereof. The broken lines in the drawings show environmental structure of the sticker for a game player, as shown and described.

1 Claim, 4 Drawing Sheets

(56) **References Cited**

U.S. PATENT DOCUMENTS

D664,601 S *	7/2012	Sogabe	D14/401
D685,858 S *	7/2013	Hirayama	D21/333
D705,362 S *	5/2014	Satake	D21/333
D744,045 S *	11/2015	Buller	D14/401
D765,789 S *	9/2016	Buller	D21/333
D786,979 S *	5/2017	Buller	D14/401
D797,196 S	9/2017	Buller	
D797,197 S *	9/2017	Buller	D21/333
D815,211 S *	4/2018	Buller	D21/333
D837,891 S *	1/2019	Buller	D14/440
D884,799 S	5/2020	Buller	
D887,411 S *	6/2020	Li	D14/401
D888,056 S *	6/2020	Wei	D21/333
D908,801 S *	1/2021	Lee	D21/333



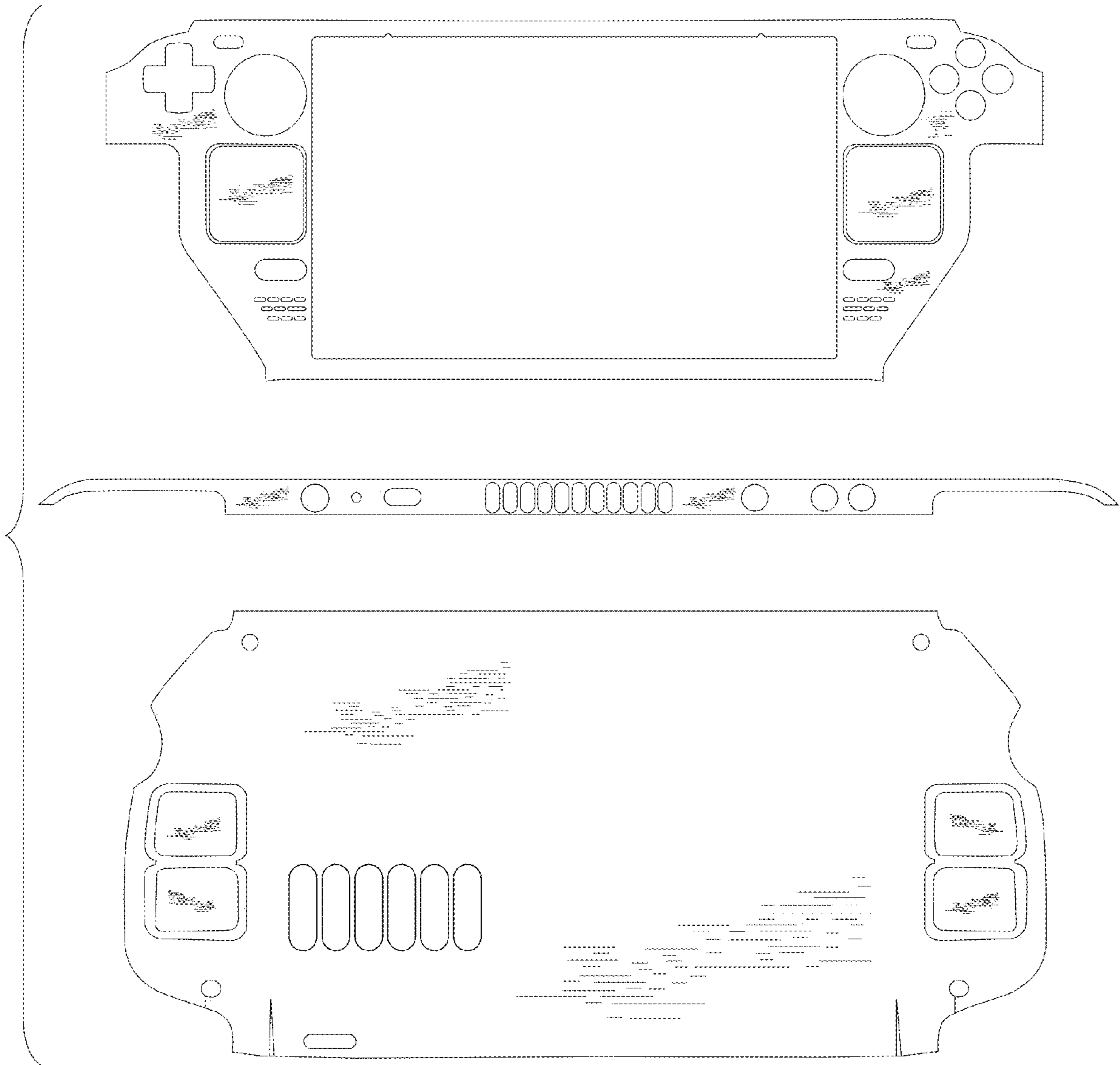


FIG. 1

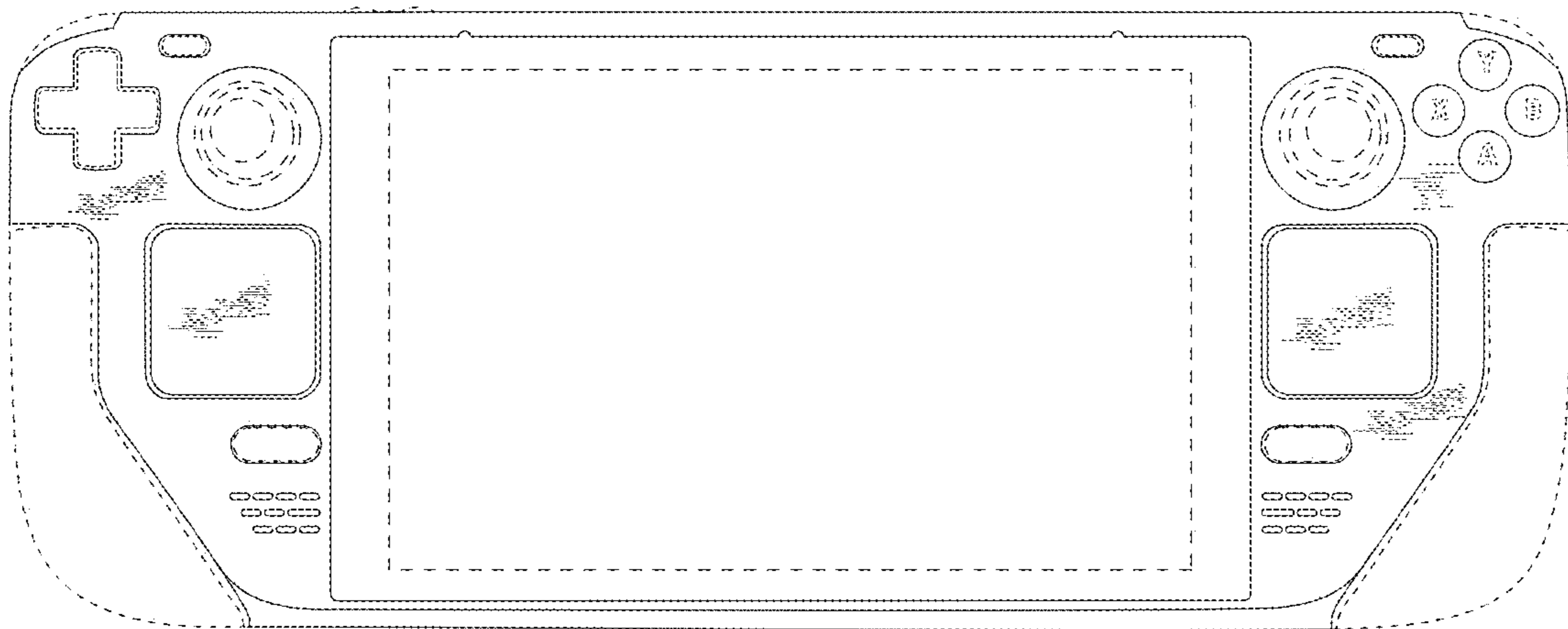


FIG. 2

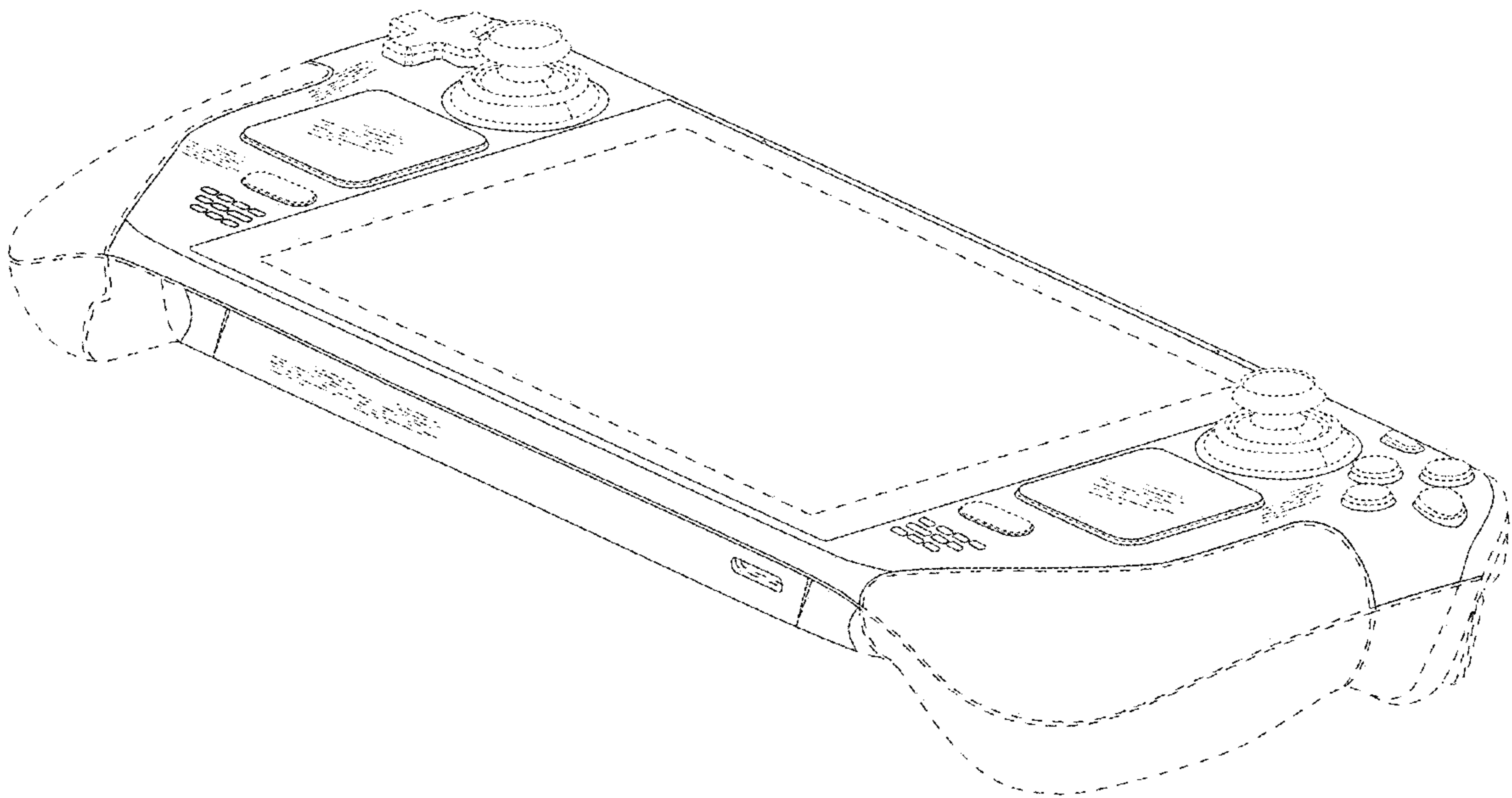


FIG. 3

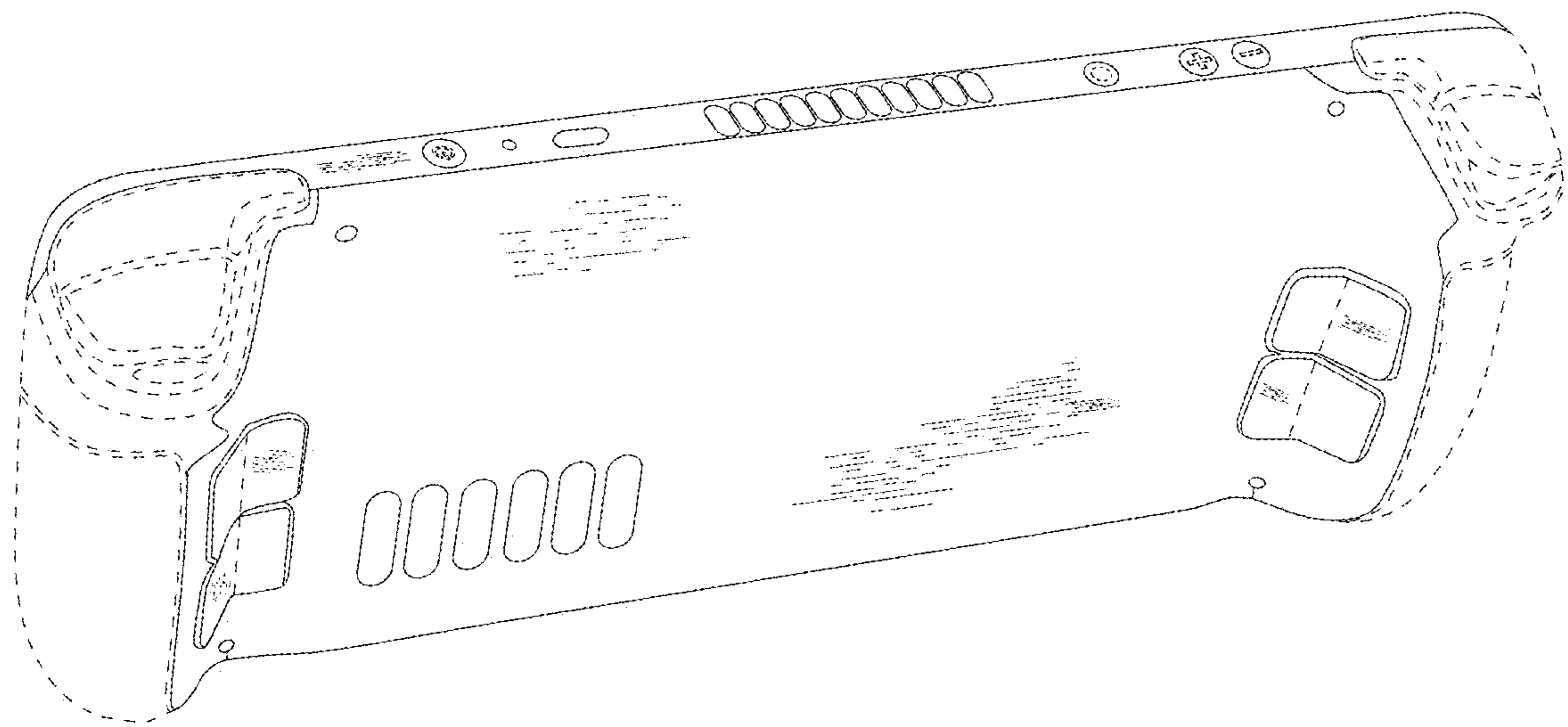


FIG. 4