



US00D971334S

(12) **United States Design Patent** (10) **Patent No.:** **US D971,334 S**  
**You** (45) **Date of Patent:** **\*\* Nov. 29, 2022**

(54) **RACING SIMULATOR COCKPIT**  
(71) Applicant: **NINGBO TUOTUO RIVER DESIGN COMPANY**, Zhejiang (CN)  
(72) Inventor: **Xiaodong You**, Ningbo (CN)  
(73) Assignee: **NINGBO TUOTUO RIVER DESIGN COMPANY**, Zhejiang (CN)  
(\*\*) Term: **15 Years**

*Primary Examiner* — Katherine Glennon  
*Assistant Examiner* — Yuan Yuan  
(74) *Attorney, Agent, or Firm* — Knobbe Martens Olson & Bear LLP

(21) Appl. No.: **29/751,411**  
(22) Filed: **Sep. 21, 2020**  
(51) **LOC (13) Cl.** ..... **21-01**  
(52) **U.S. Cl.**  
USPC ..... **D21/333**  
(58) **Field of Classification Search**  
USPC ..... D21/325, 326, 327, 333, 324, 328, 332,  
D21/566, 329, 330, 694; D14/401, 400,  
D14/454, 412, 496, 416, 418, 413, 203.3,  
D14/203.5, 218, 415, 252, 414, 419, 457,  
D14/203, 203.1, 203.7, 204, 217, 240,  
D14/253, 333, 342, 357, 358, 388, 403,  
(Continued)

(57) **CLAIM**  
The ornamental design for a racing simulator cockpit, as shown and described.

**DESCRIPTION**

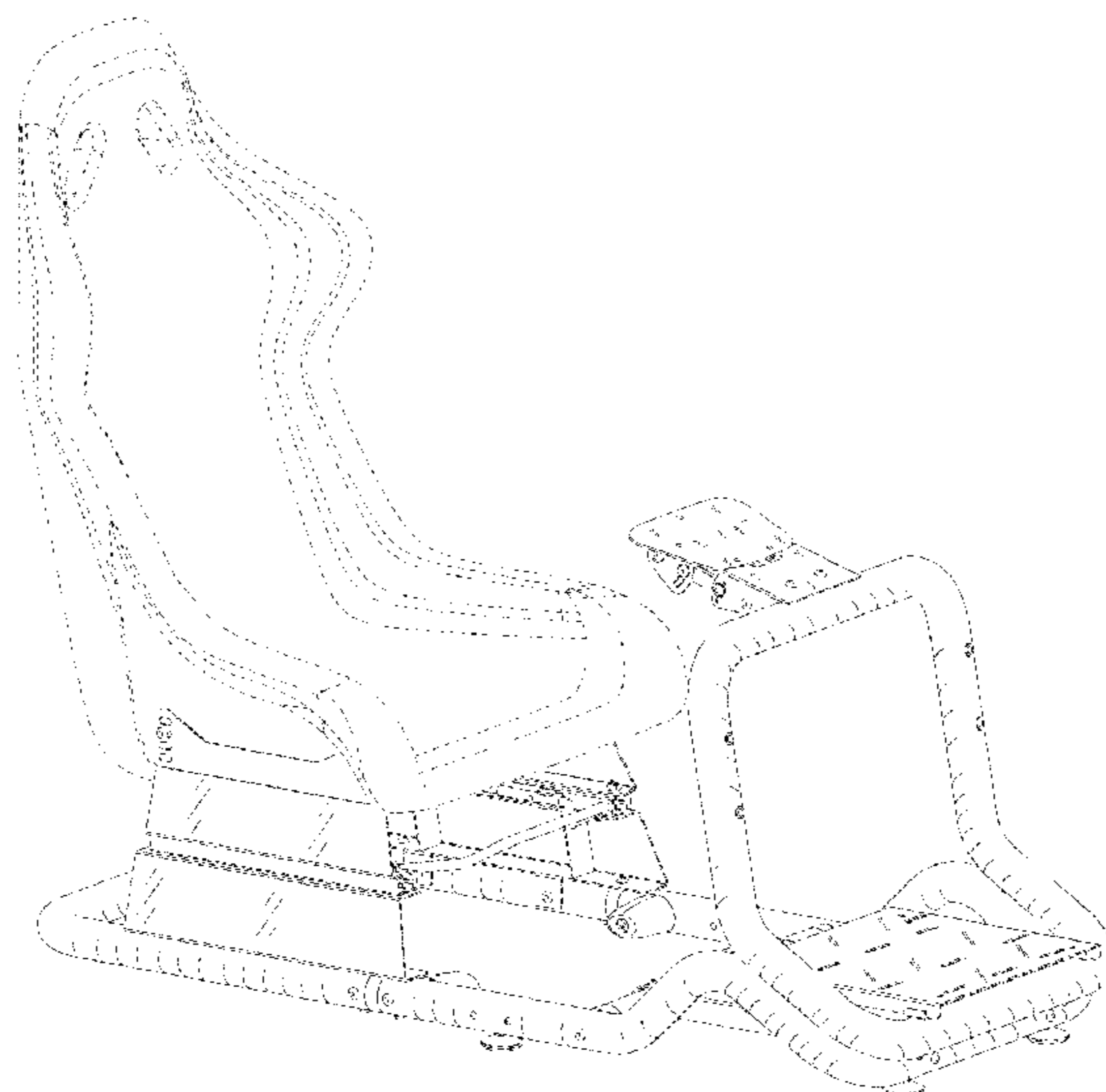
FIG. 1 is a front perspective view of a racing simulator cockpit embodying the new design;  
FIG. 2 is a back perspective view thereof;  
FIG. 3 is a left side view thereof;  
FIG. 4 is a right side view thereof;  
FIG. 5 is a back view thereof;  
FIG. 6 is a front view thereof;  
FIG. 7 is a top view thereof; and  
FIG. 8 is a bottom thereof.  
FIG. 9 is a front perspective view of the racing simulator cockpit with a chair portion removed for clarity;  
FIG. 10 is a back perspective view thereof;  
FIG. 11 is a left side view thereof;  
FIG. 12 is a right side view thereof;  
FIG. 13 is a back view thereof;  
FIG. 14 is a front view thereof;  
FIG. 15 is a top view thereof; and,  
FIG. 16 is a bottom thereof.

(56) **References Cited**  
U.S. PATENT DOCUMENTS  
6,083,106 A \* 7/2000 McDowell ..... A63F 13/08  
463/6  
D446,263 S \* 8/2001 Heys ..... D21/477  
(Continued)

Broken lines are used to illustrate features of the racing simulator cockpit that form no part of the claimed design. In embodiments other than those illustrated, lines that are currently illustrated as solid lines may be redrawn as broken lines, and/or lines that are currently illustrated with broken lines can be redrawn with solid lines. The scope of the present disclosure encompasses all lines illustrated, whether broken or solid. FIGS. 9-16 illustrate the racing simulator cockpit of FIGS. 1-8 with an unclaimed chair portion removed for clarity.

**OTHER PUBLICATIONS**  
GTR Simulators GTA Model Simulator Frame. Date First Available: Nov. 26, 2018. Retrieved from internet: <<https://www.amazon.com/GTR-Simulator-GTA-BLK-S105LBK-Driving-Cockpit/dp/B07JZKYD4Y>> [site visited Mar. 10, 2022] (Year: 2018).\*  
(Continued)

**1 Claim, 16 Drawing Sheets**



(58) **Field of Classification Search**

USPC ..... D14/434, 455, 456, 410, 492, 258, 301,  
D14/393, 432, 489, 426  
CPC ..... G06F 1/1666; G06F 17/00; G06F 19/00;  
A63F 9/24; A63F 13/00; A63F 13/23;  
A63F 13/235; A63F 13/24; A63F 13/26;  
A63F 13/843; A63F 13/98; A63F 13/323;  
A63F 2009/2488; A63F 2250/52; A63F  
2300/00; A63F 2300/1031; A63F  
2300/8088; A63F 2300/1025; A63F  
2300/1062; A63F 13/28; A63F  
2009/2407; G09B 9/12; A47C 1/026;  
A47C 1/143; A47C 7/72; A47C 7/5068

See application file for complete search history.

D701,917 S \* 4/2014 Ghahramanian ..... D21/333  
D835,198 S \* 12/2018 Berlinches ..... D21/326  
D856,020 S \* 8/2019 Ghahramanian ..... D6/367  
D880,600 S \* 4/2020 Quinn ..... D21/326  
D884,076 S \* 5/2020 Quinn ..... D21/326  
D910,758 S \* 2/2021 Leong ..... D21/326  
D912,733 S \* 3/2021 Ghahramanian ..... D21/333  
10,953,321 B2 \* 3/2021 Van Beek ..... A63F 13/213  
D930,081 S \* 9/2021 Ghahramanian ..... D21/326  
D930,748 S \* 9/2021 Ghahramanian ..... D21/326  
D931,373 S \* 9/2021 Ghahramanian ..... D21/326  
D932,549 S \* 10/2021 Smit ..... D21/326  
D936,744 S \* 11/2021 Singanallur Murali ..... D21/333  
D937,350 S \* 11/2021 Ghahramanian ..... D21/326  
2005/0132939 A1 \* 6/2005 McClellion ..... A63F 13/02  
108/92  
2009/0163283 A1 \* 6/2009 Childress ..... A63G 31/16  
463/47

(56) **References Cited**

U.S. PATENT DOCUMENTS

D598,207 S \* 8/2009 Smit ..... D6/335  
7,662,042 B2 \* 2/2010 Oswald ..... A63F 13/98  
463/31  
D615,596 S \* 5/2010 Bik ..... D21/324  
D642,222 S \* 7/2011 Pezzoni ..... D21/333  
D656,553 S \* 3/2012 Blaskov ..... D21/333

OTHER PUBLICATIONS

Minneer Racing Wheel Stand with Real Black Seat Simulator  
Cockpit. Date First Available: Jan. 17, 2022. Retrieved from inter-  
net: <<https://www.amazon.com/dp/B09QKRC291?th=1>> [site vis-  
ited Mar. 10, 2022] (Year: 2022).\*

\* cited by examiner

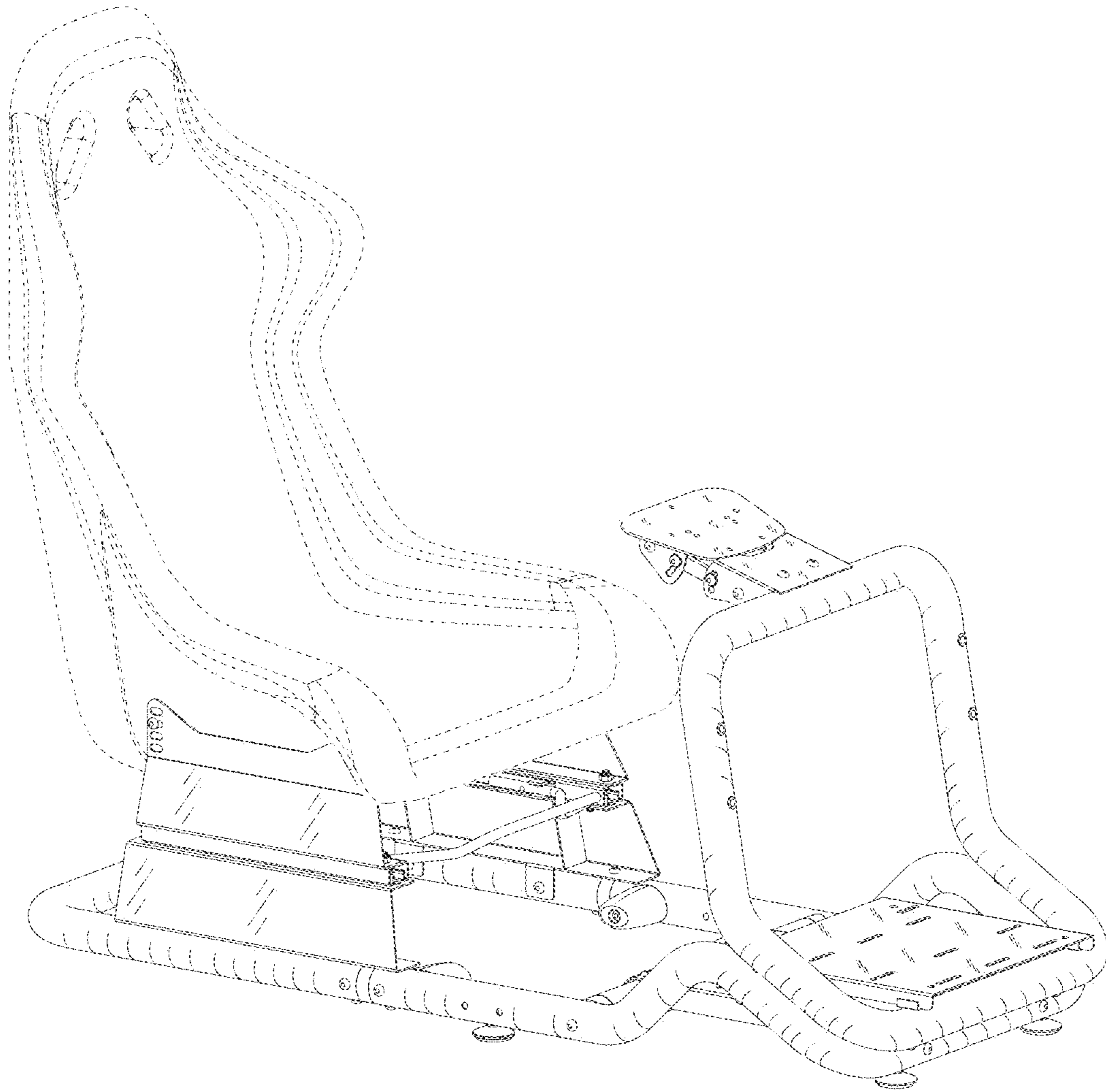


Fig.1

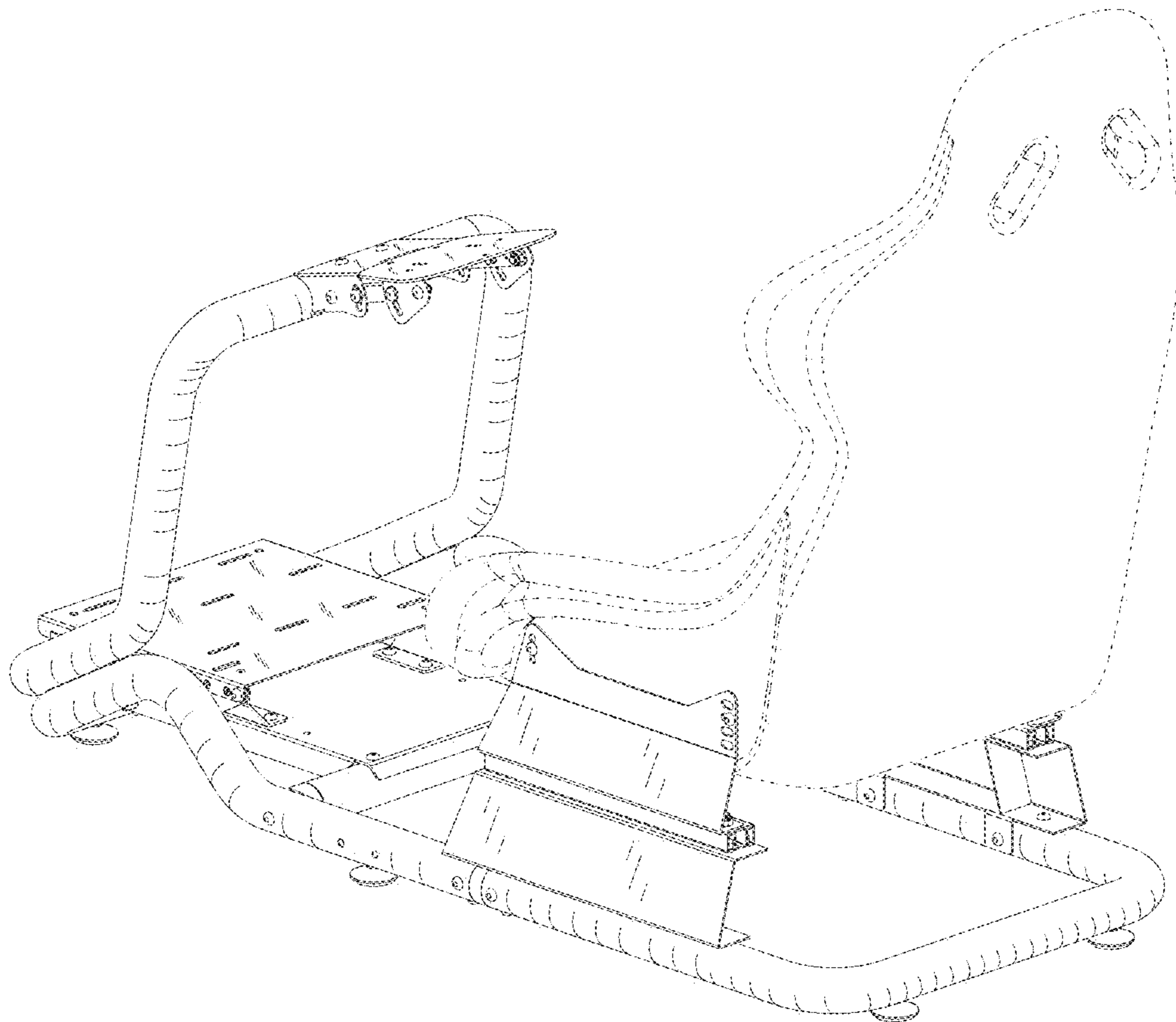


Fig.2

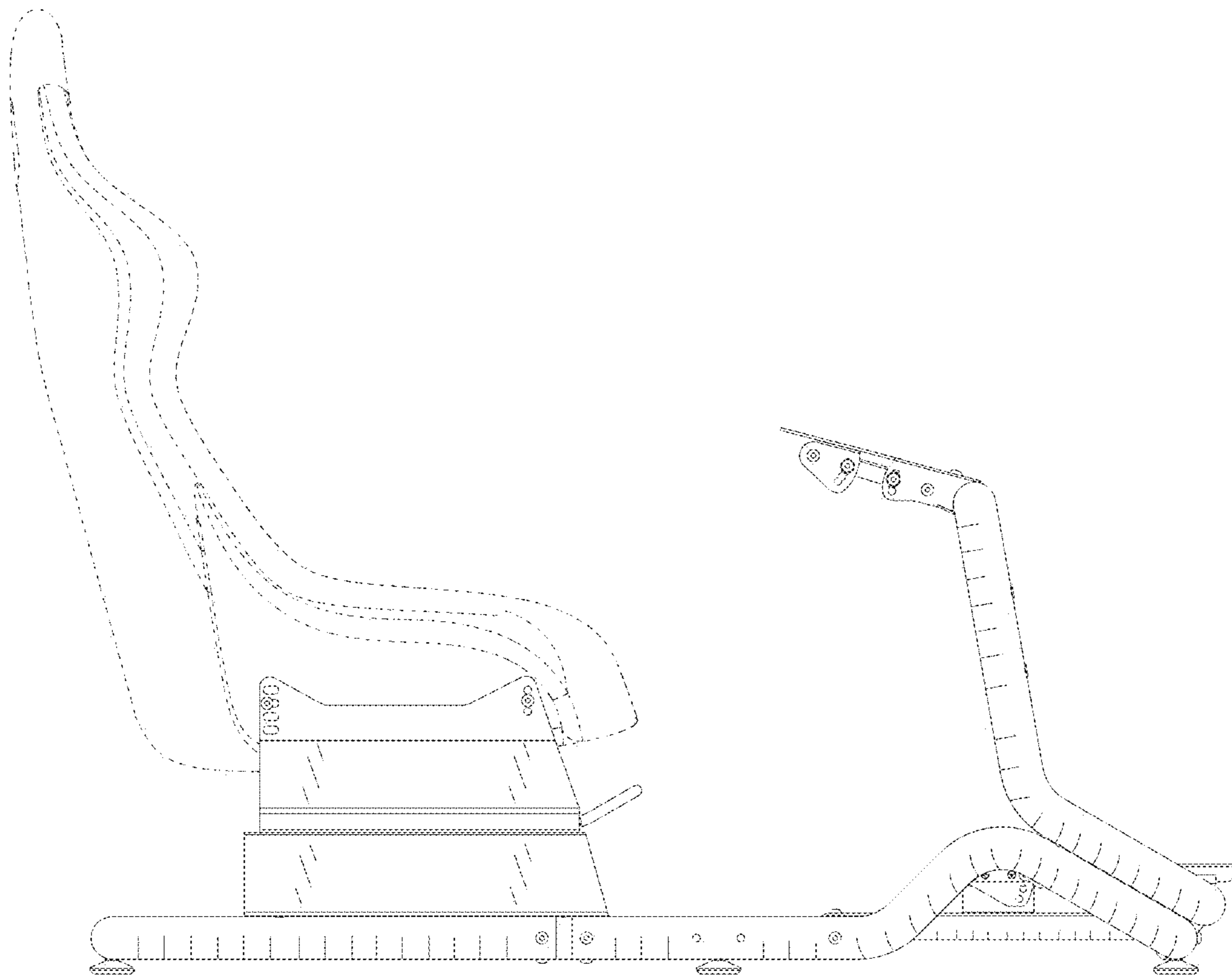


Fig.3

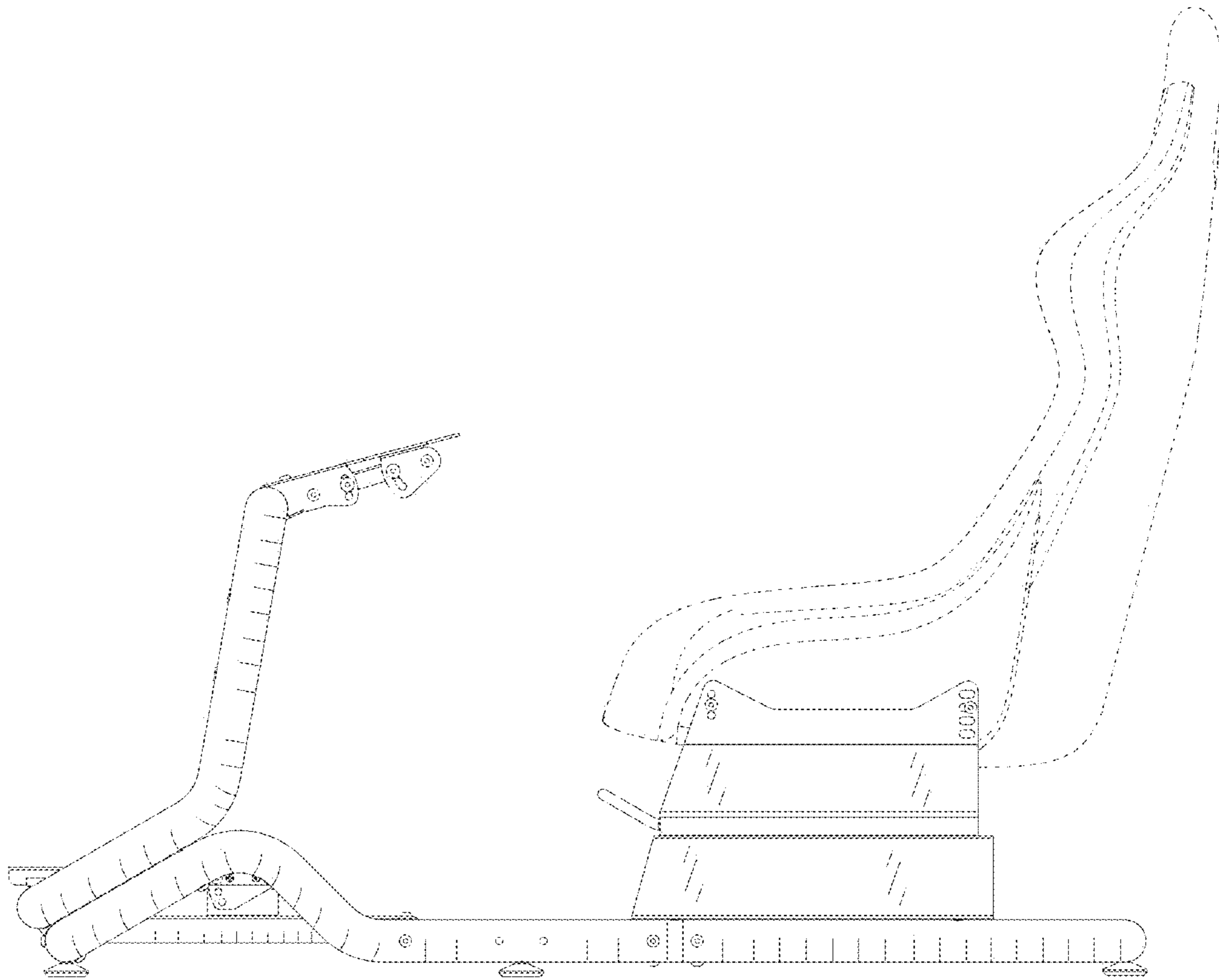


Fig.4

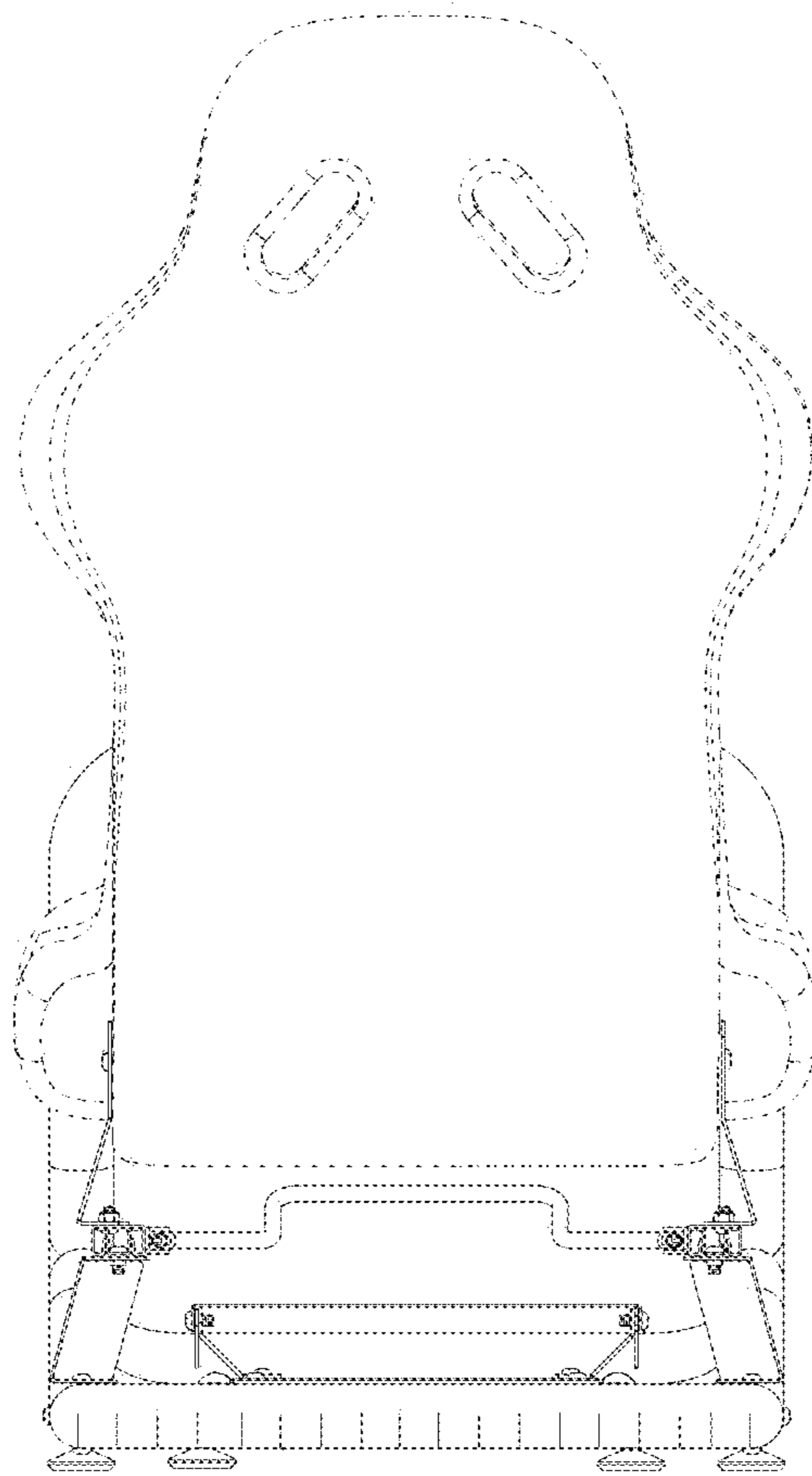


Fig.5

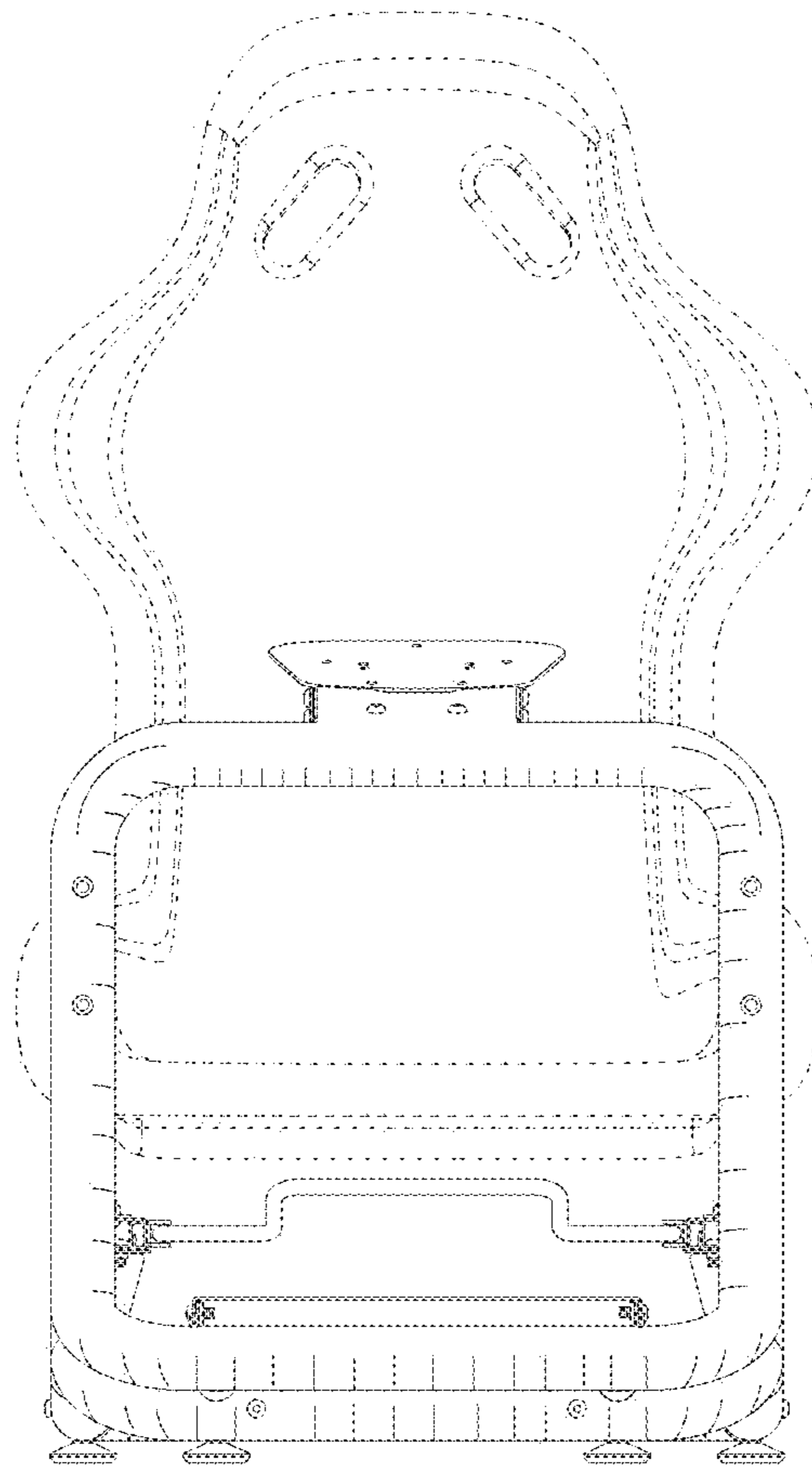


Fig.6



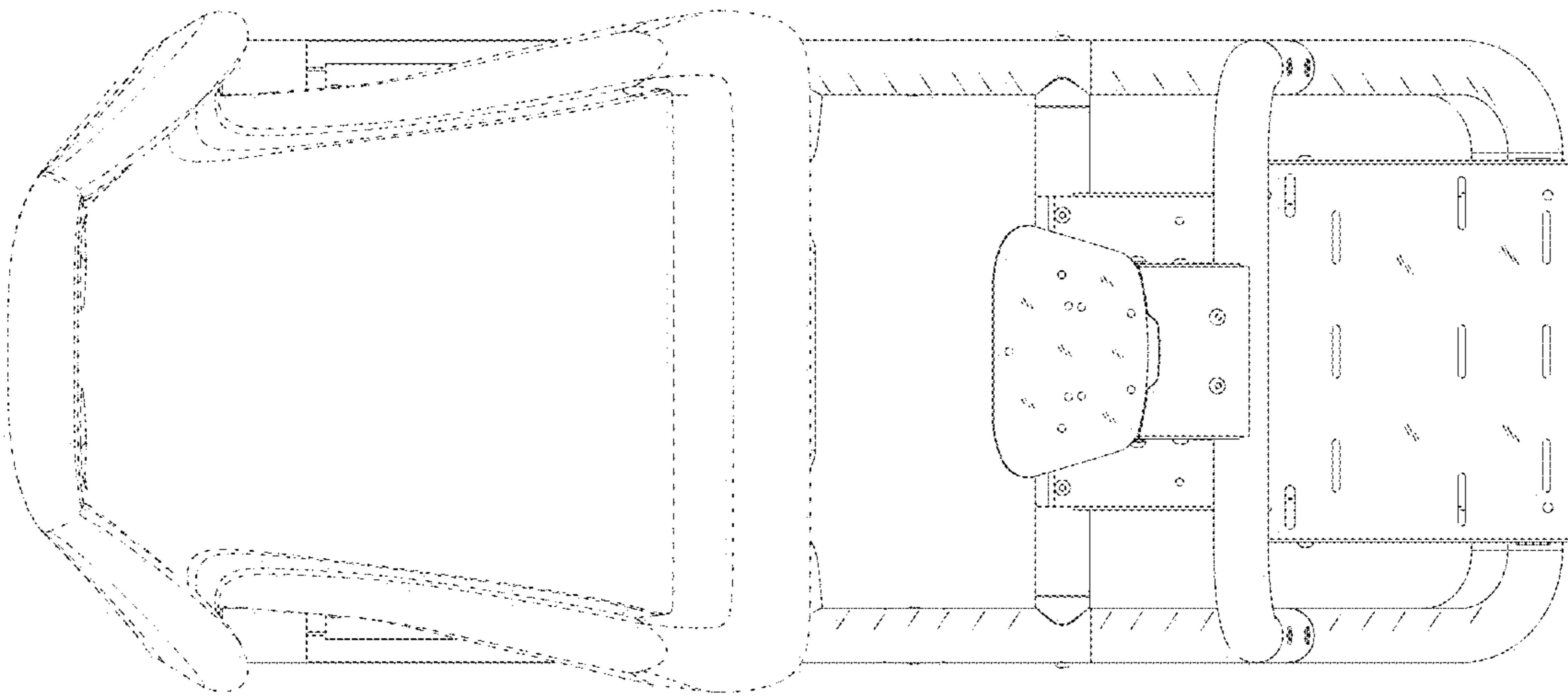


Fig.7

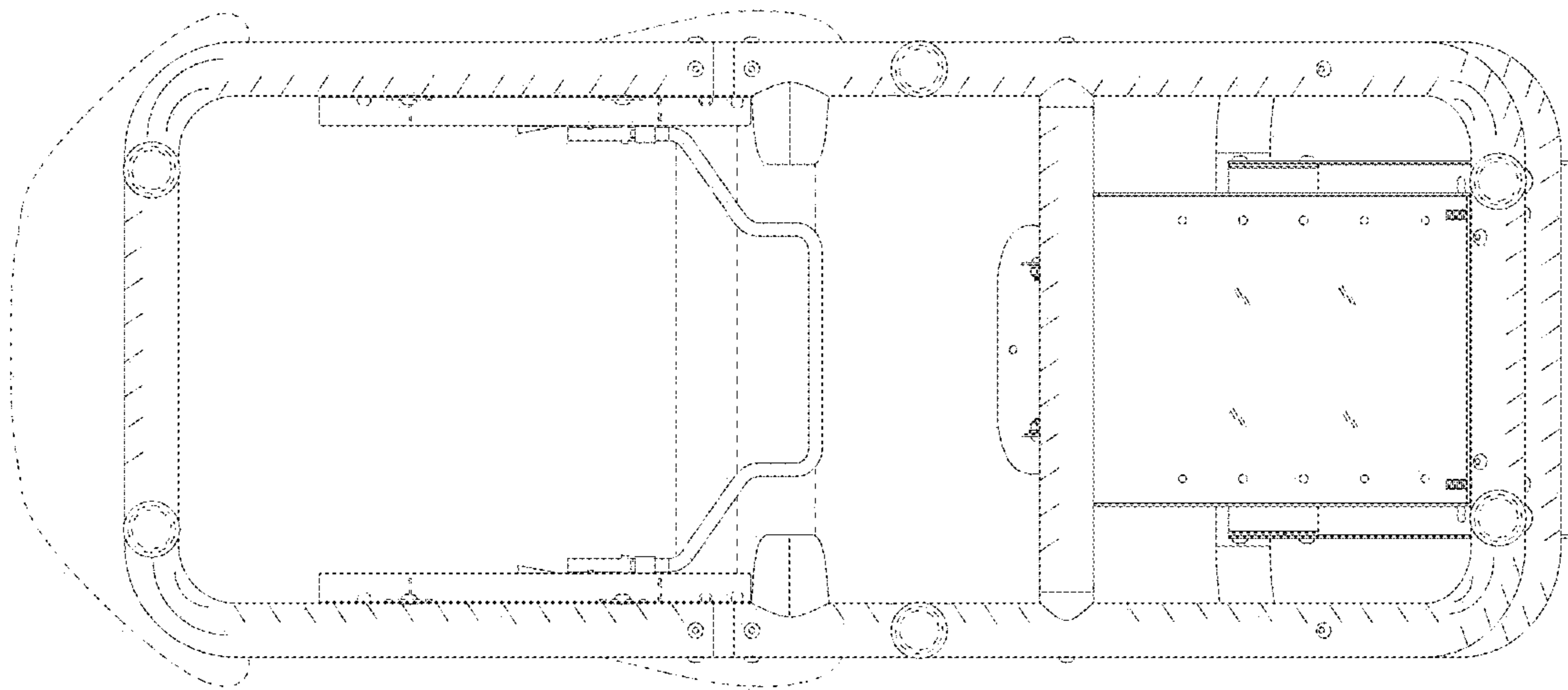


Fig.8

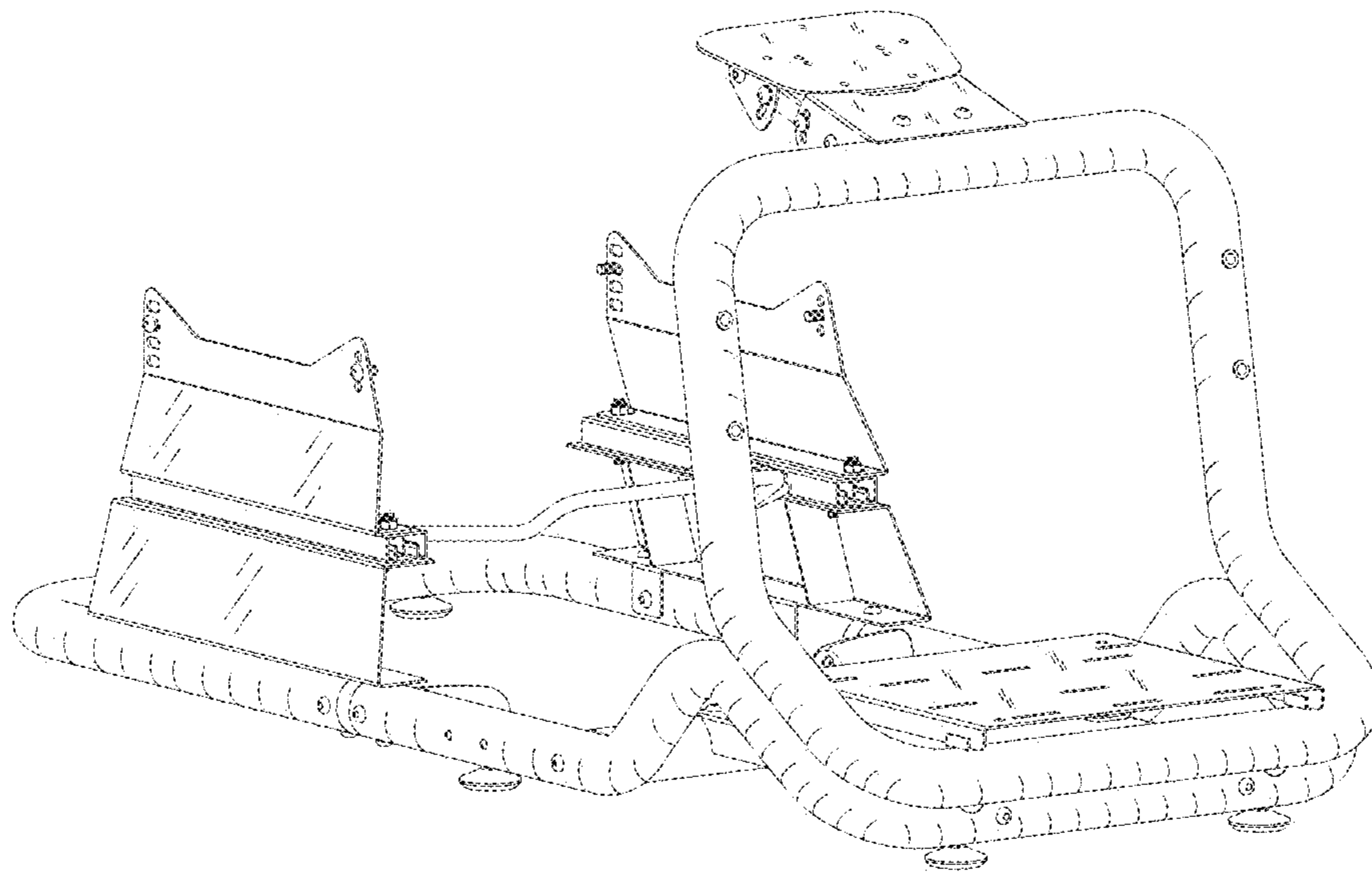


Fig.9

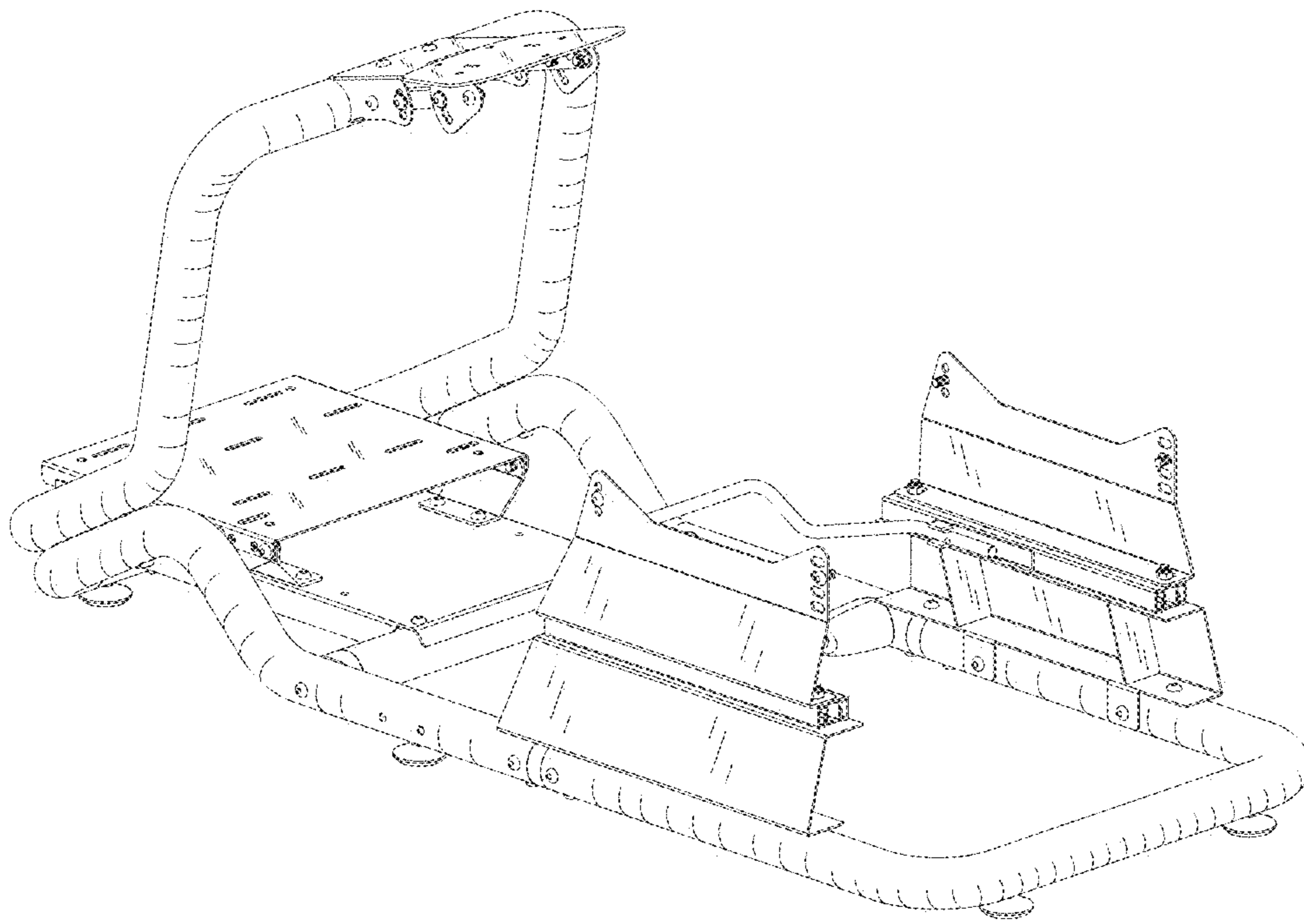


Fig.10

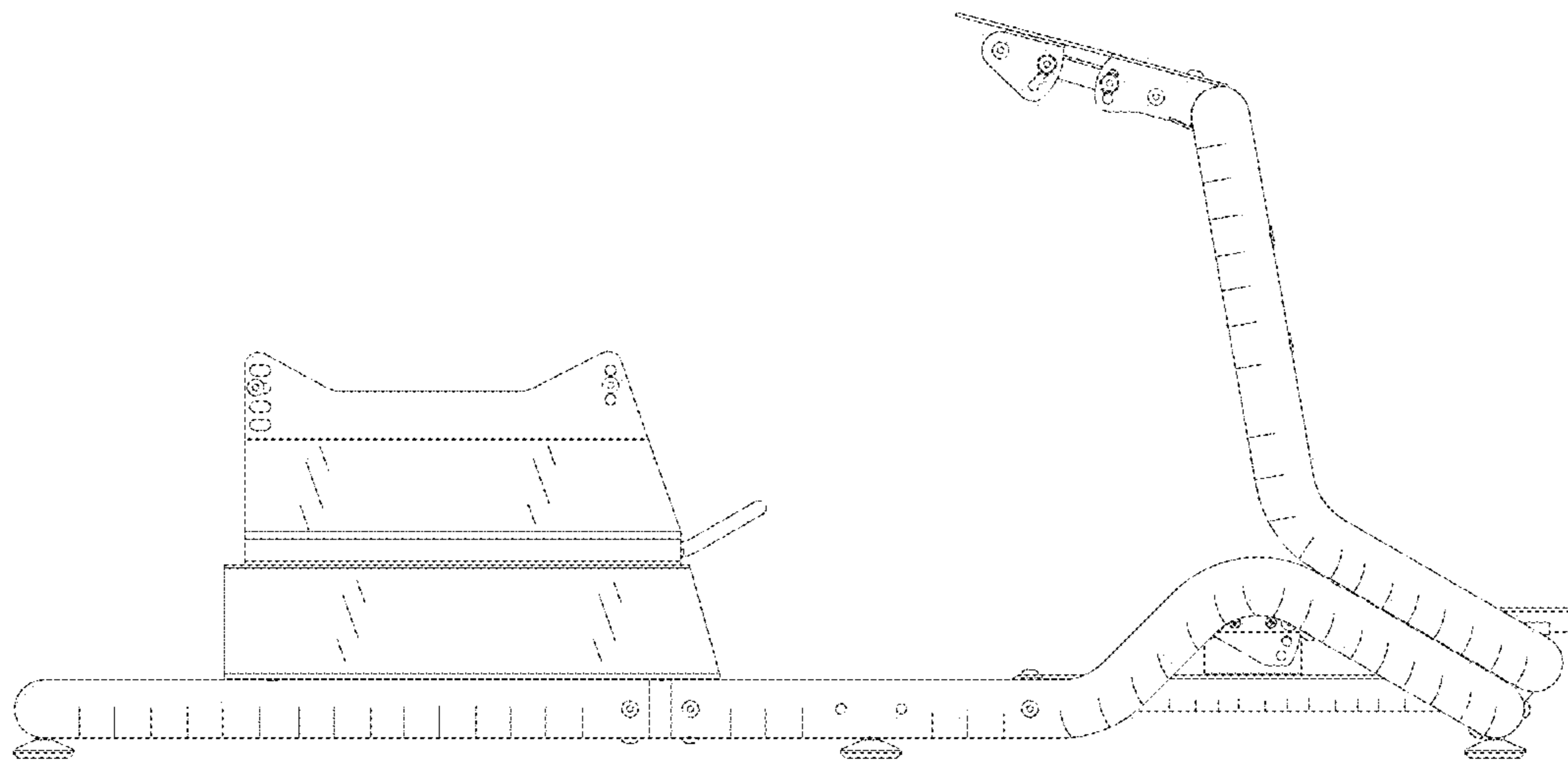


Fig.11

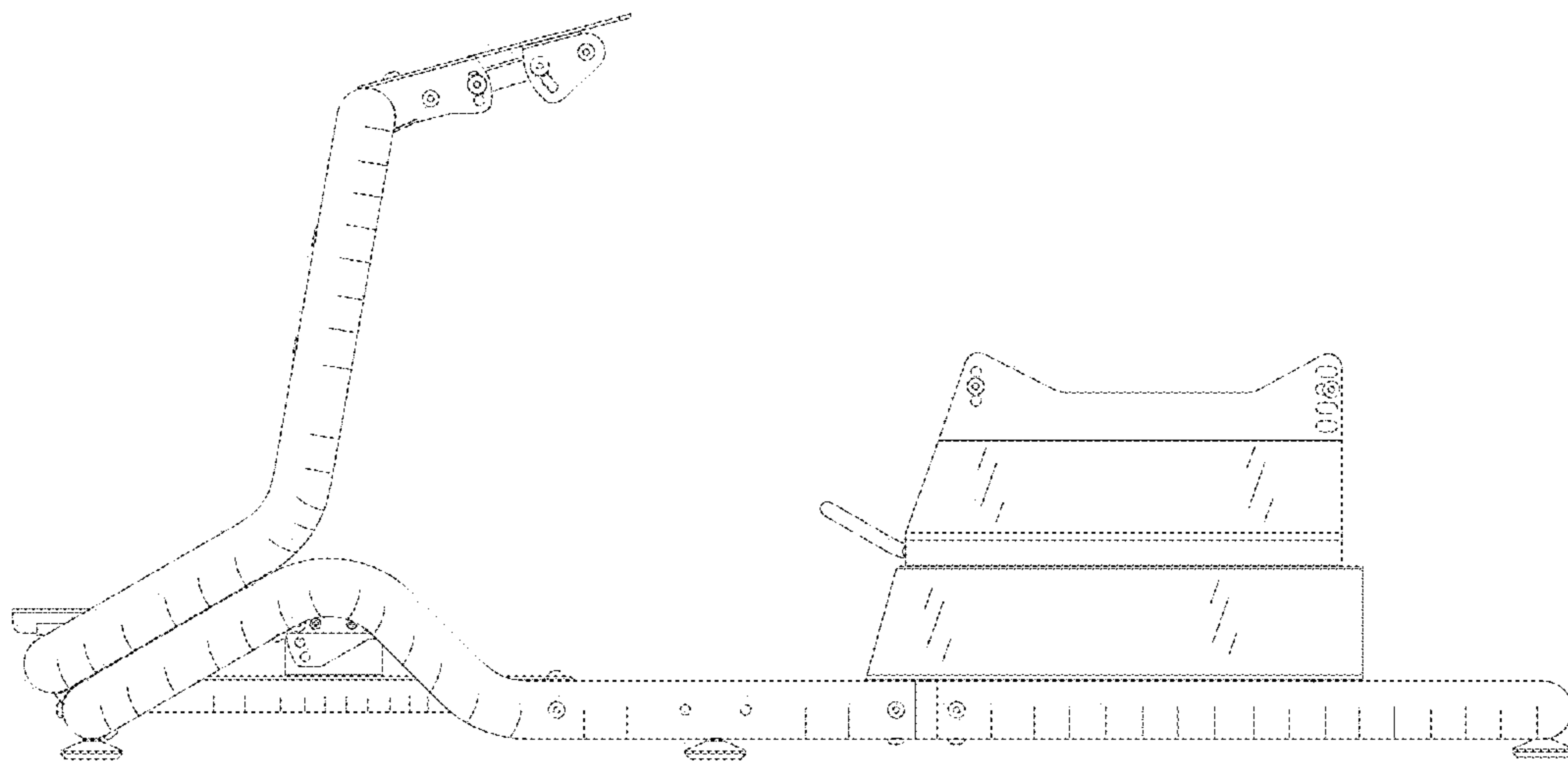


Fig.12

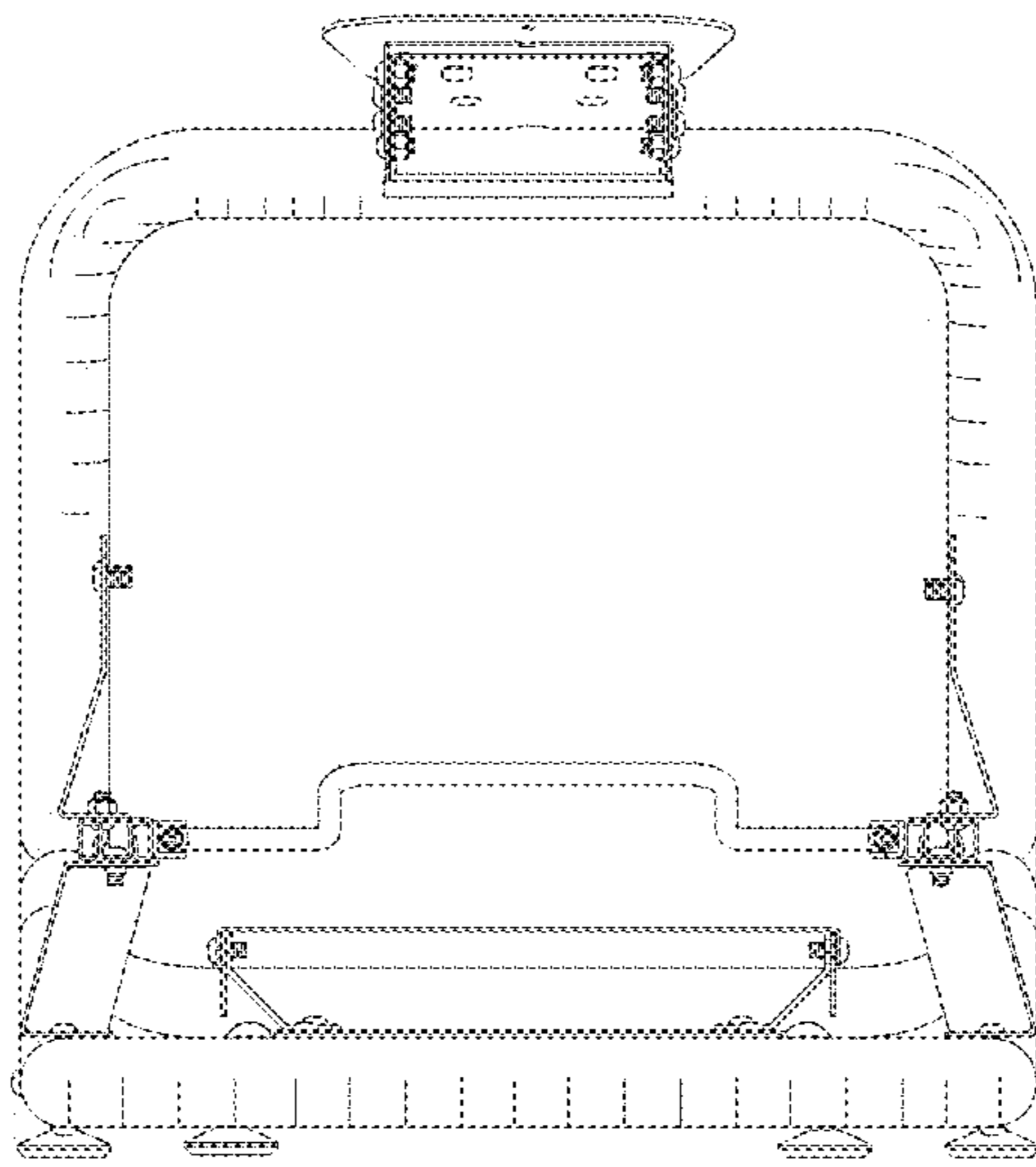


Fig.13

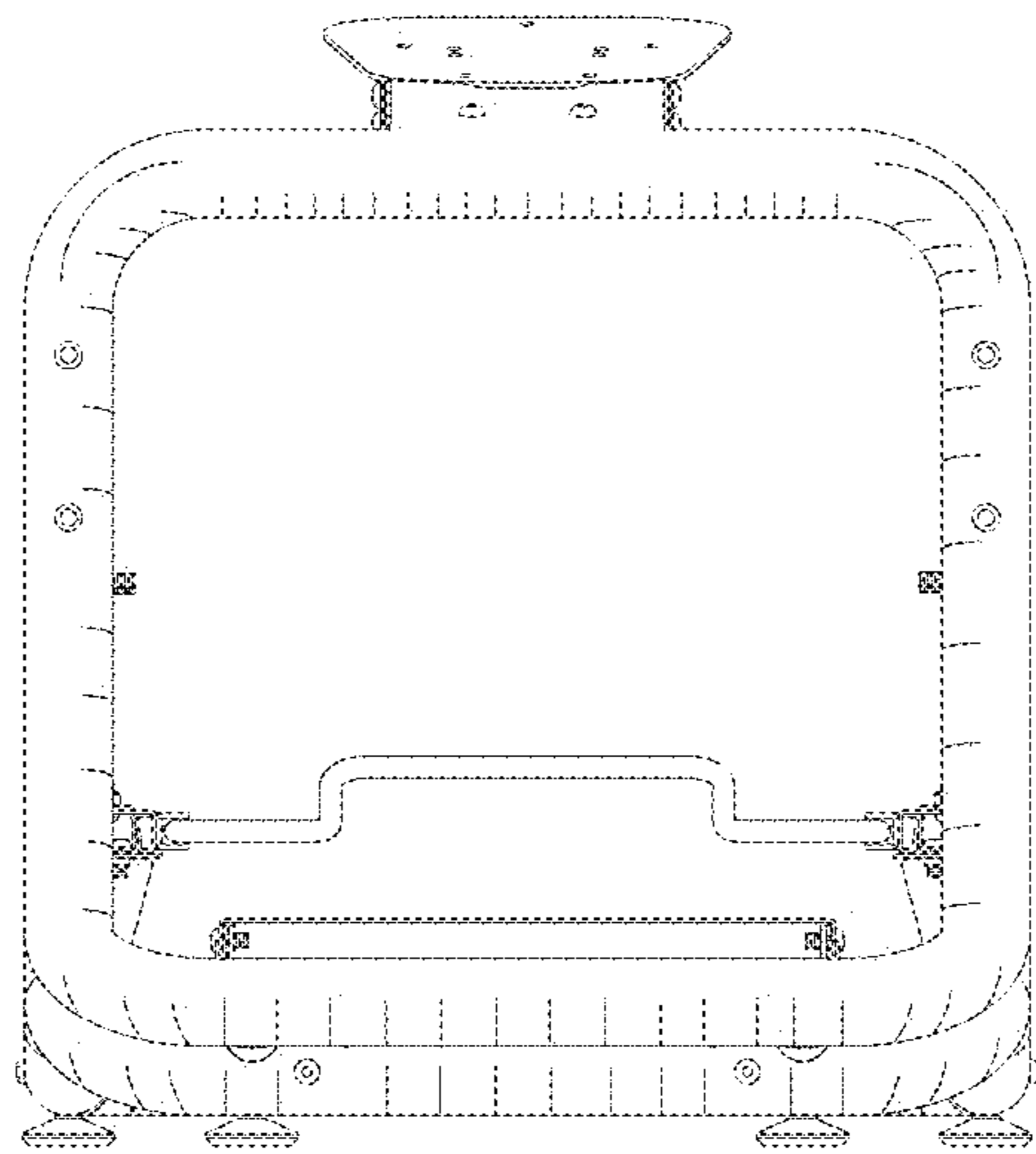


Fig.14



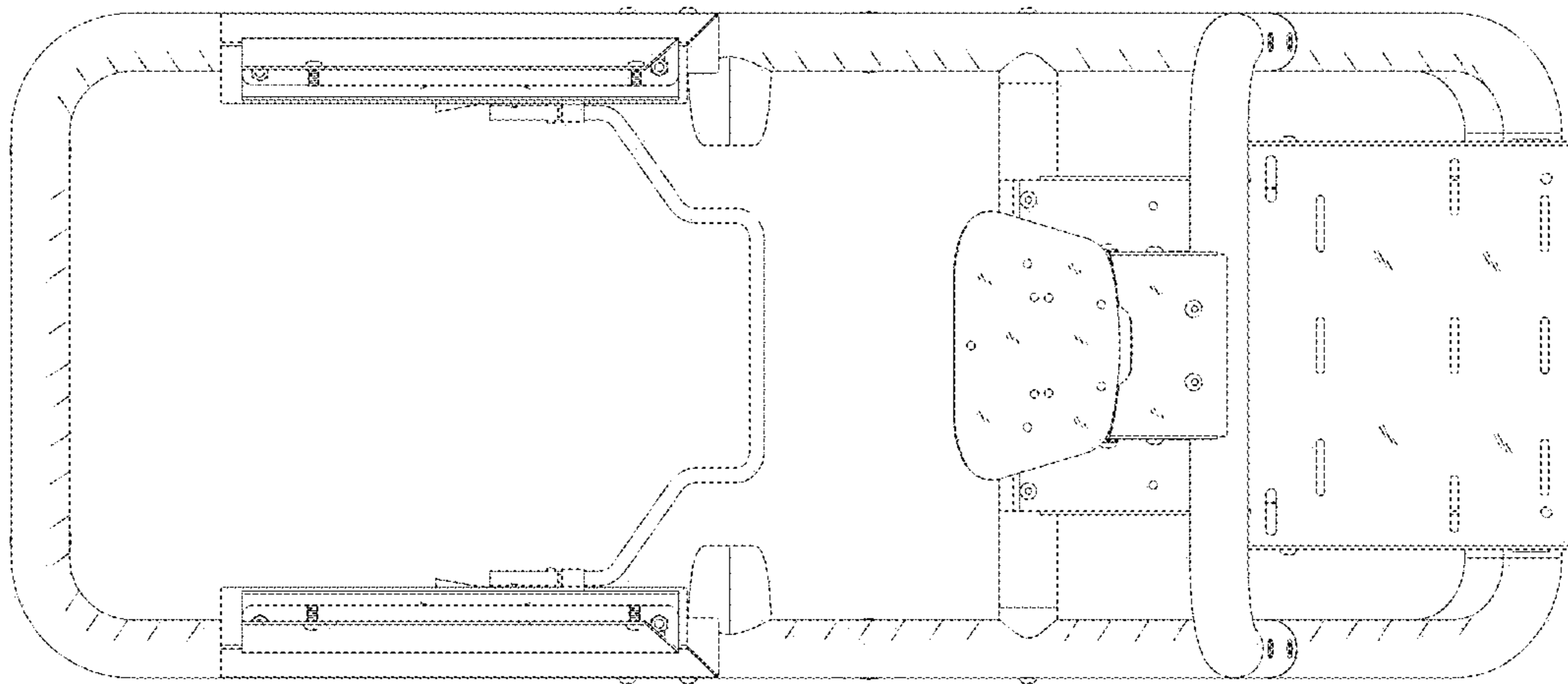


Fig.15

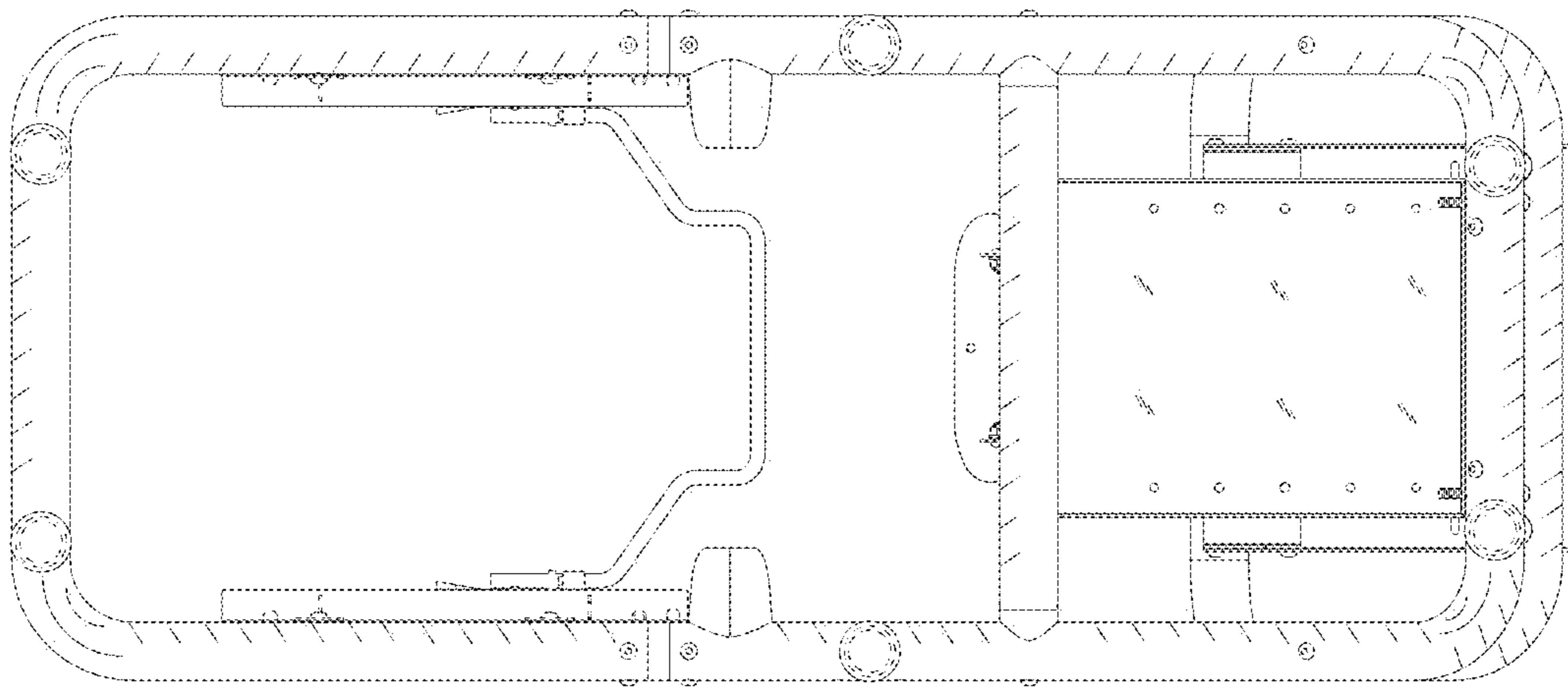


Fig.16