



US00D971331S

(12) **United States Design Patent** (10) **Patent No.:** **US D971,331 S**  
**Brandewie et al.** (45) **Date of Patent:** **\*\* Nov. 29, 2022**

(54) **TWO-SIDED SIGN** 1,443,247 A \* 1/1923 Wrightman ..... E01F 9/685  
 40/607.11  
 (71) Applicant: **BBY Solutions, Inc.**, Richfield, MN 1,956,303 A \* 4/1934 Watson ..... G09F 7/18  
 (US) 40/611.12  
 1,971,661 A \* 8/1934 Sapio ..... G09F 13/04  
 40/564  
 (72) Inventors: **Christopher Brandewie**, Minneapolis, 1,443,247 S \* 1/1923 Benioff ..... D20/10  
 MN (US); **Sean Wilson**, Eden Prairie, 2,260,082 A 10/1941 McCauley  
 MN (US) D186,482 S \* 10/1959 Schwartz ..... D10/114.1  
 D202,326 S \* 9/1965 Doss ..... D20/41  
 D234,443 S \* 3/1975 Golub ..... D20/42  
 D276,824 S \* 12/1984 Wilde ..... D20/41  
 D314,162 S \* 1/1991 Long ..... D11/131  
 D376,820 S 12/1996 Bosman  
 D379,375 S \* 5/1997 Bowman ..... D20/10  
 D389,871 S \* 1/1998 Young ..... D10/109.1  
 D411,810 S \* 7/1999 Stockman ..... D10/109.2  
 D414,713 S 10/1999 Renk  
 6,131,321 A \* 10/2000 Daigle, Jr. .... F21S 9/037  
 315/159

(\*\*) Term: **15 Years**

(21) Appl. No.: **29/735,328**

(22) Filed: **May 20, 2020**

(51) **LOC (13) Cl.** ..... **20-02**

(52) **U.S. Cl.**  
USPC ..... **D20/41**

(58) **Field of Classification Search**  
 USPC ..... D10/109.1, 109.2, 113.4; D11/181, 182,  
 D11/183; D14/125, 126, 127, 128, 129,  
 D14/489, 495; D18/26; D20/10, 11, 12,  
 D20/16, 17, 18, 19, 21, 31, 27, 29, 30,  
 D20/39, 40, 41, 42, 43, 44, 99  
 CPC ..... G09F 1/00; G09F 1/08; G09F 5/00; G09F  
 5/02; G09F 7/00; G09F 19/00; G09F  
 23/00; G09F 27/00; G09F 21/00; G09F  
 21/06; G09F 21/08; Y10S 362/812; A47F  
 3/00; A47F 8/00; A47F 11/00  
 See application file for complete search history.

(56) **References Cited**  
 U.S. PATENT DOCUMENTS  
 D32,212 S \* 2/1900 Michaelis ..... D9/641  
 1,164,909 A \* 12/1915 Auberlin ..... G09F 7/18  
 40/606.14  
 1,307,655 A \* 6/1919 Brown ..... G09F 7/18  
 40/607.04

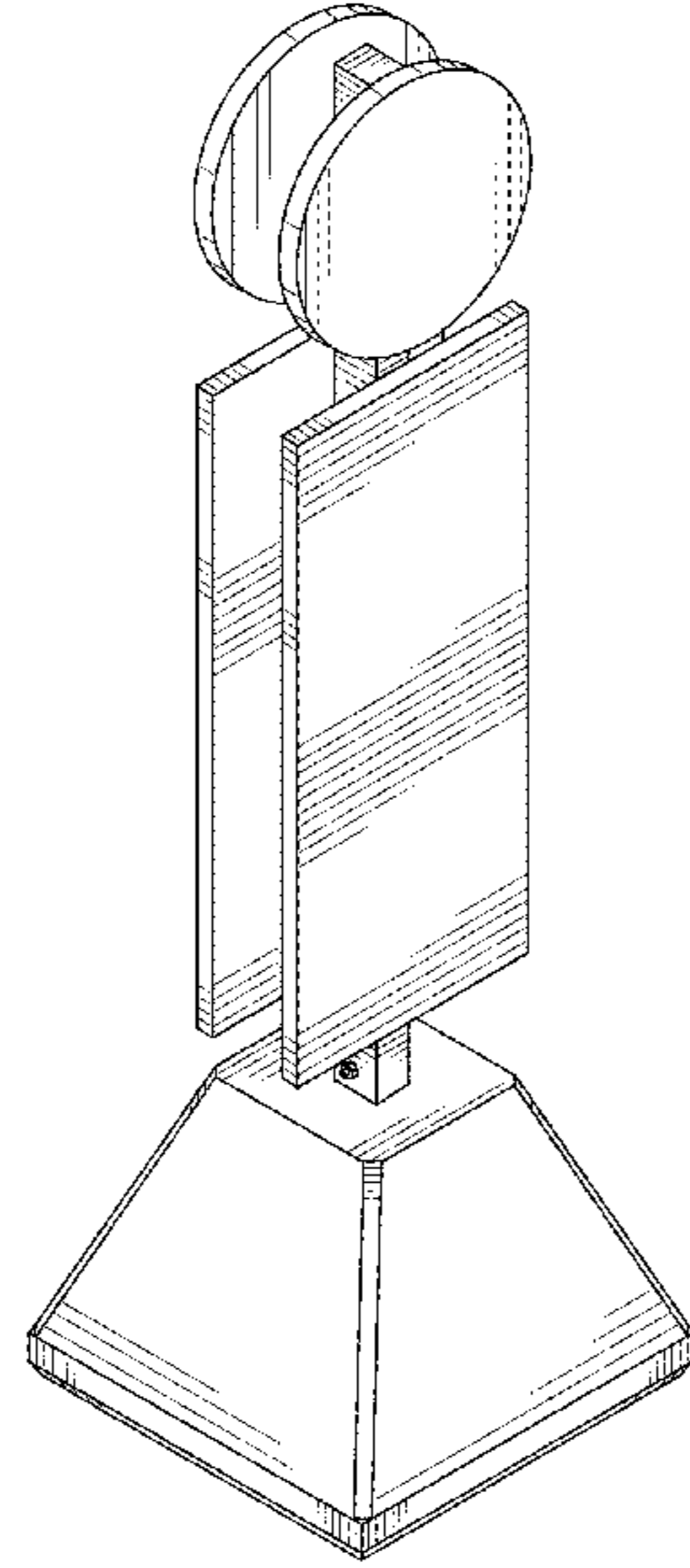
(Continued)

*Primary Examiner* — Catherine Ho  
 (74) *Attorney, Agent, or Firm* — Forsgren Fisher; James  
 M. Urzedowski; Daniel A. Tysver

(57) **CLAIM**  
 The ornamental design for a two-sided sign, as shown and  
 described.

**DESCRIPTION**  
 FIG. 1 is an isometric view of a two-sided sign, showing our  
 new design;  
 FIG. 2 is a front plan view thereof;  
 FIG. 3 is a rear view thereof;  
 FIG. 4 is a left side view thereof;  
 FIG. 5 is a right side view thereof;  
 FIG. 6 is a top view thereof; and,  
 FIG. 7 is a bottom view thereof.  
 The broken lines shown in the drawings are included for  
 purposes of illustrating portions of the two-sided sign and  
 form no part of the claimed embodiment.

**1 Claim, 4 Drawing Sheets**



(56)

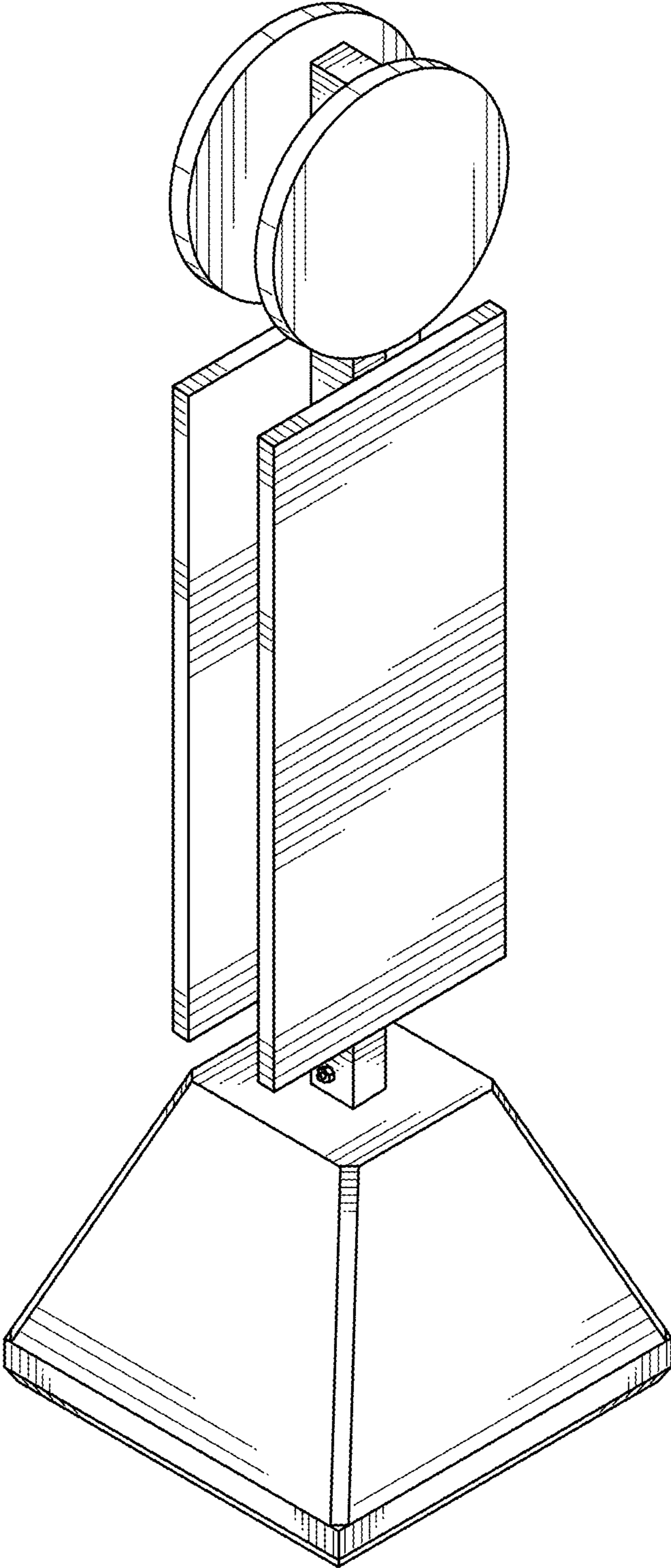
**References Cited**

U.S. PATENT DOCUMENTS

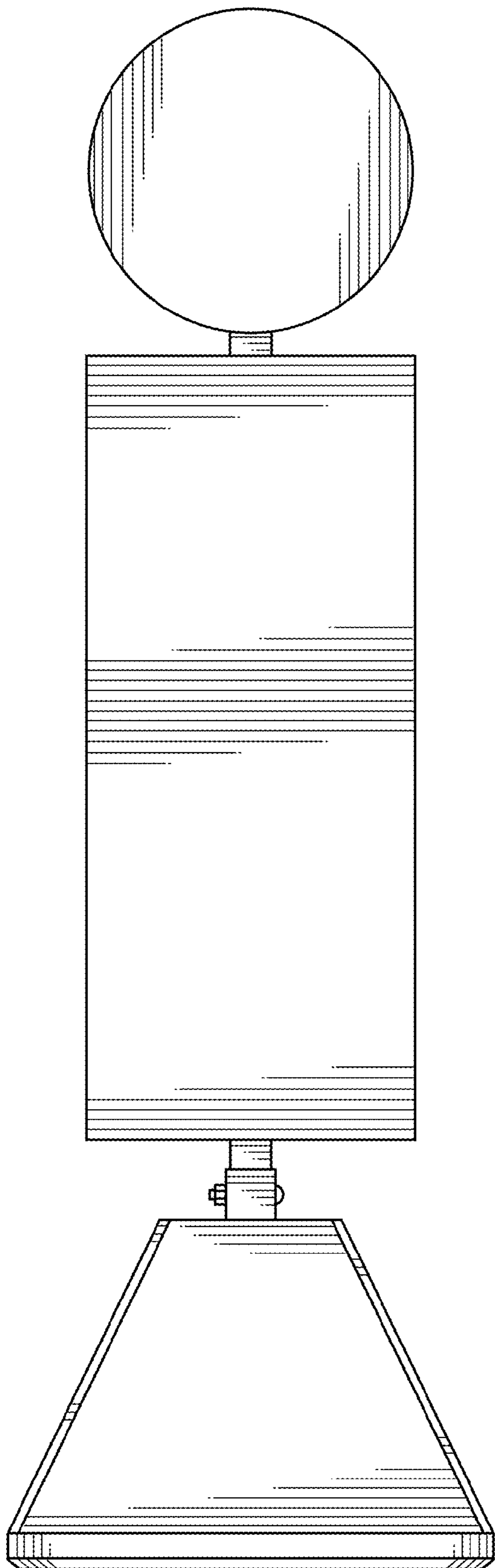
D441,402 S *	5/2001	Chesler .....	D20/10
D480,114 S *	9/2003	Grosz .....	D20/41
D526,362 S *	8/2006	Priegel .....	D20/41
D536,968 S *	2/2007	Keller .....	D9/439
D589,092 S *	3/2009	Glover .....	D20/17
D608,734 S *	1/2010	Smith .....	D13/107
D609,752 S *	2/2010	Miller .....	D20/41
D661,832 S	6/2012	Williams et al.	
D667,064 S *	9/2012	Guyer .....	D21/700
8,409,035 B1 *	4/2013	Guyer .....	A63B 59/60 473/415
D753,332 S	4/2016	De Bevilacqua	
9,314,706 B1 *	4/2016	Wicken .....	A63H 27/10
D778,364 S	2/2017	Smith	
D844,059 S	3/2019	Flansburg et al.	
D844,060 S	3/2019	Flansburg et al.	
D844,061 S	3/2019	Flansburg et al.	
D852,275 S	6/2019	Flansburg et al.	
2006/0236914 A1	10/2006	Willett	

\* cited by examiner

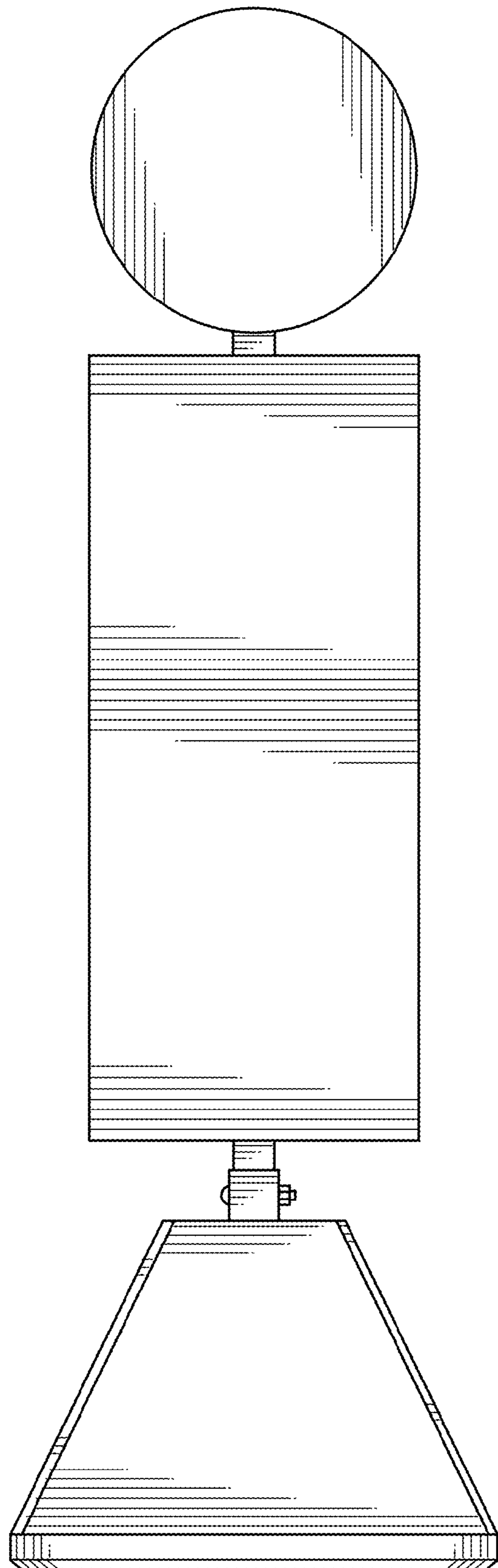
**Fig. 1**



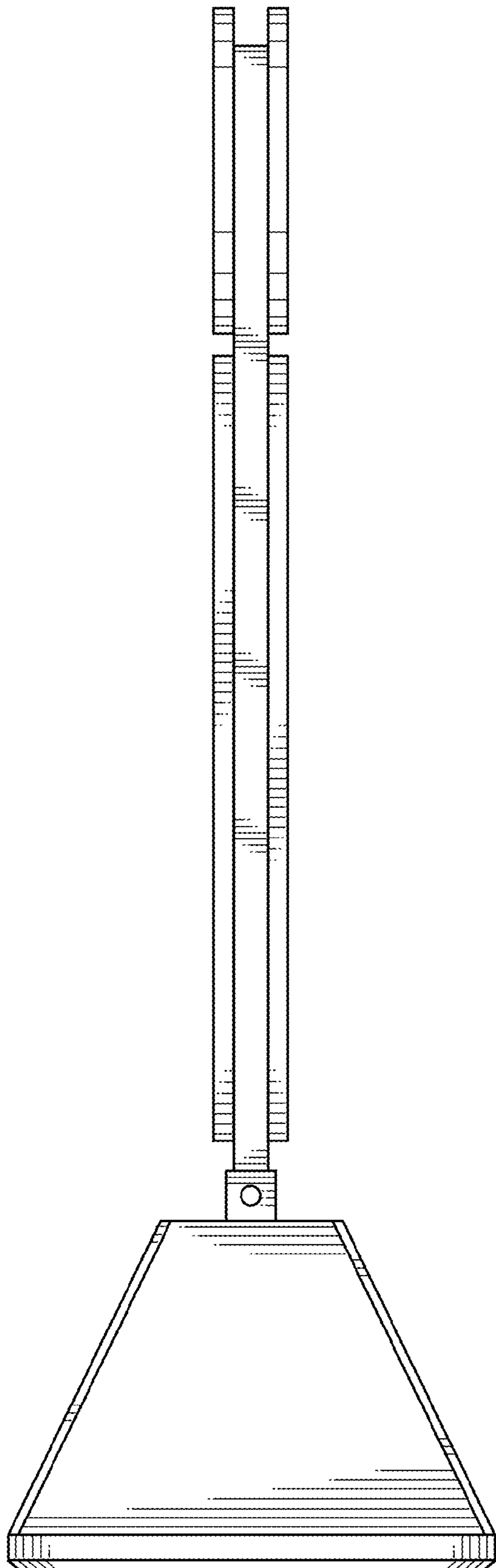
**Fig. 2**



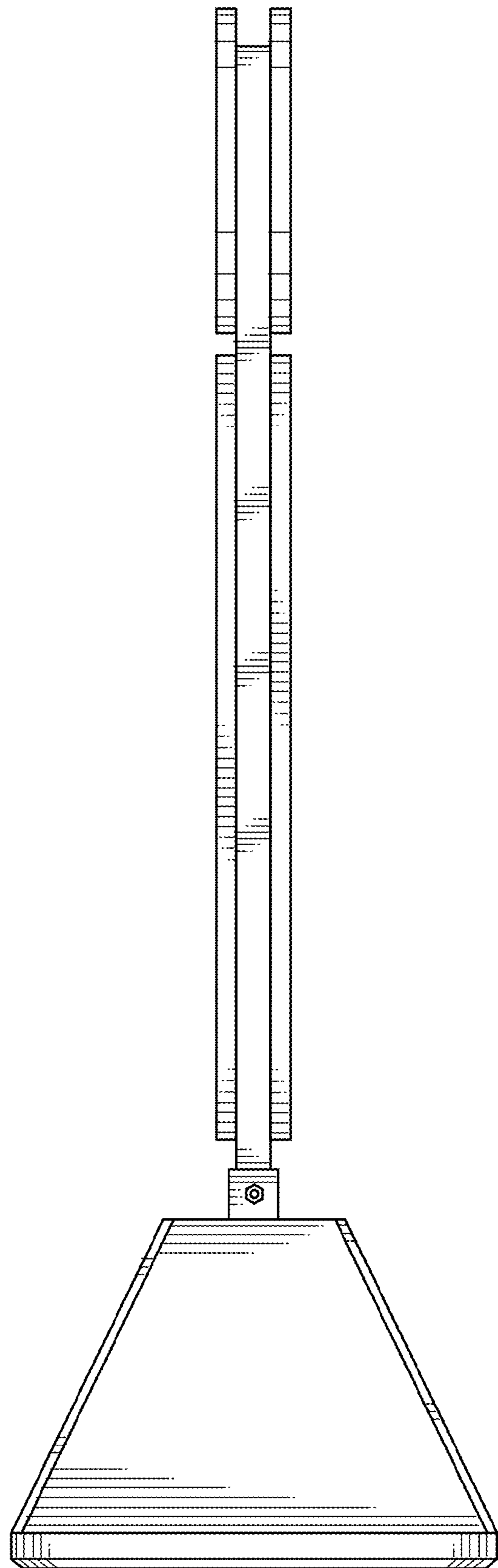
**Fig. 3**



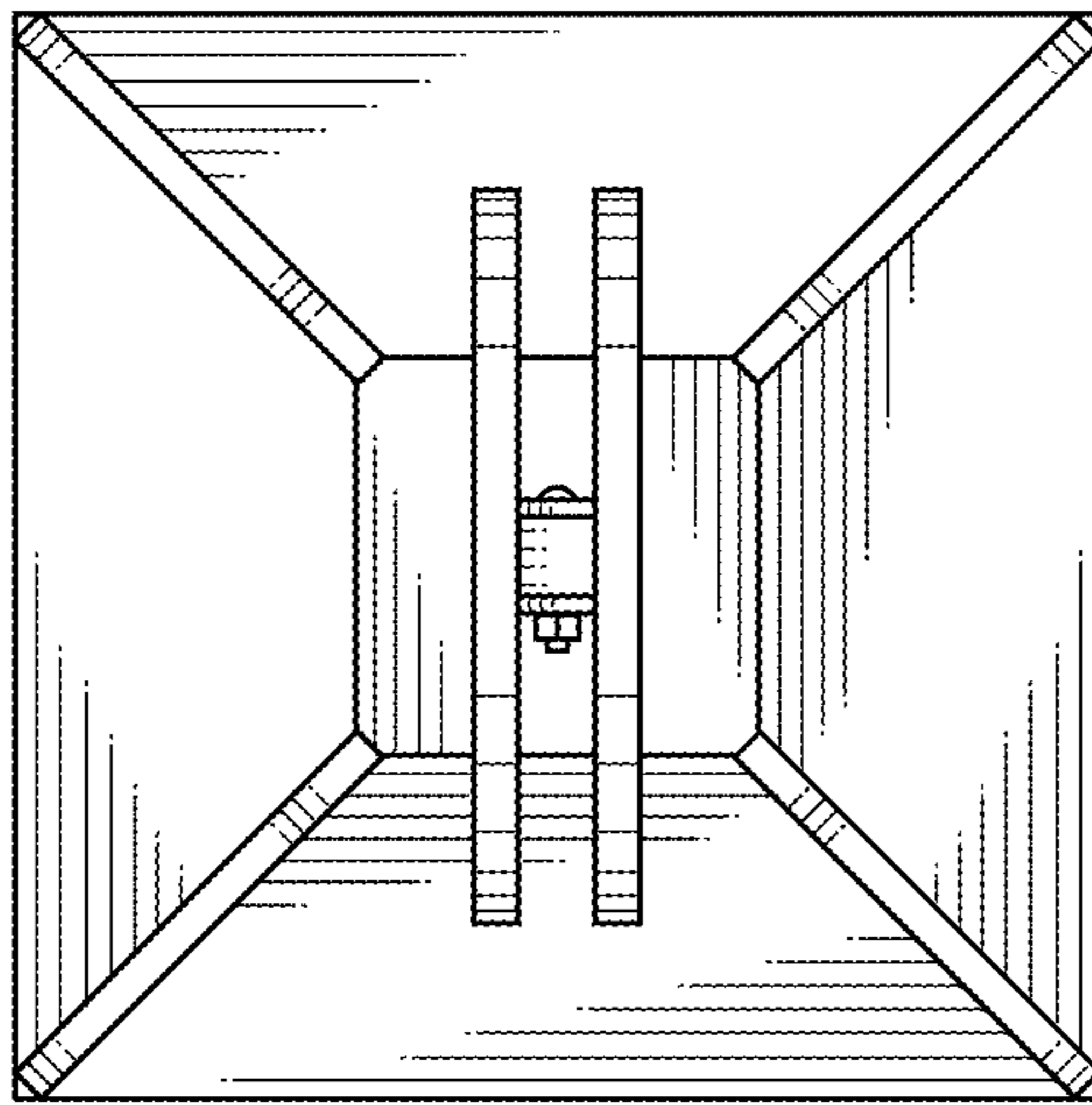
**Fig. 4**



**Fig. 5**



**Fig. 6**



**Fig. 7**

