



US00D971330S

(12) **United States Design Patent**
Park et al.

(10) **Patent No.:** **US D971,330 S**

(45) **Date of Patent:** **** Nov. 29, 2022**

(54) **COMBINED DIGITAL SIGNAGE AND POLE**

(71) Applicant: **LG ELECTRONICS INC.**, Seoul (KR)

(72) Inventors: **Jaeyong Park**, Seoul (KR); **Miju Kim**, Seoul (KR); **Junhee Yeo**, Seoul (KR)

(73) Assignee: **LG ELECTRONICS INC.**, Seoul (KR)

(**) Term: **15 Years**

(21) Appl. No.: **29/730,930**

(22) Filed: **Apr. 9, 2020**

(30) **Foreign Application Priority Data**

Nov. 28, 2019 (KR) 30-2019-0057438

(51) **LOC (13) Cl.** **20-02**

(52) **U.S. Cl.**
USPC **D20/41**

(58) **Field of Classification Search**

USPC D10/109.1, 109.2, 113.4; D11/181, 182, D11/183; D14/125, 126, 127, 128, 129, D14/489, 495; D18/26; D20/10, 11, 12, D20/16, 17, 18, 19, 21, 31, 27, 29, 30, D20/39, 40, 41, 42, 43, 44, 99
CPC G09F 1/00; G09F 1/08; G09F 5/00; G09F 5/02; G09F 7/00; G09F 19/00; G09F 23/00; G09F 27/00; G09F 21/00; G09F 21/06; G09F 21/08; Y10S 362/812; A47F 3/00; A47F 8/00; A47F 11/00

See application file for complete search history.

(56) **References Cited**

U.S. PATENT DOCUMENTS

4,271,618 A * 6/1981 Lyman A47G 1/14 40/661
D266,338 S * 9/1982 Mandel D20/43

D395,298 S * 6/1998 Rosen D14/127
D499,453 S * 12/2004 Hornblad D20/10
D558,274 S * 12/2007 Geeves D20/41
D587,761 S * 3/2009 Grimshaw D20/39
D595,294 S * 6/2009 Woodward D14/373
D602,992 S * 10/2009 Giugiaro D20/41
D631,097 S * 1/2011 Giugiaro D20/41
D880,593 S * 4/2020 Lee D20/39
D888,156 S * 6/2020 Hornbachner D20/39

* cited by examiner

Primary Examiner — Catherine Ho

(74) *Attorney, Agent, or Firm* — Birch, Stewart, Kolasch & Birch, LLP

(57) **CLAIM**

We claim the ornamental design for a combined digital signage and pole, as shown and described.

DESCRIPTION

FIG. 1 is a perspective view of a combined digital signage and pole showing our new design;
FIG. 2 is a front elevation view thereof;
FIG. 3 is a rear elevation view thereof;
FIG. 4 is a left-side elevation view thereof;
FIG. 5 is a right-side elevation view thereof;
FIG. 6 is a top plan view thereof;
FIG. 7 is a bottom plan view thereof; and,
FIG. 8 is a perspective view shown in an environment of use. The broken line showing in FIGS. 1, 6 and 7 is for the purpose of illustrating portions of the combined digital signage and pole and forms no part of the claimed design. The broken line showing in FIG. 8 is for the purpose of illustrating environment and forms no part of the claimed design.

1 Claim, 8 Drawing Sheets

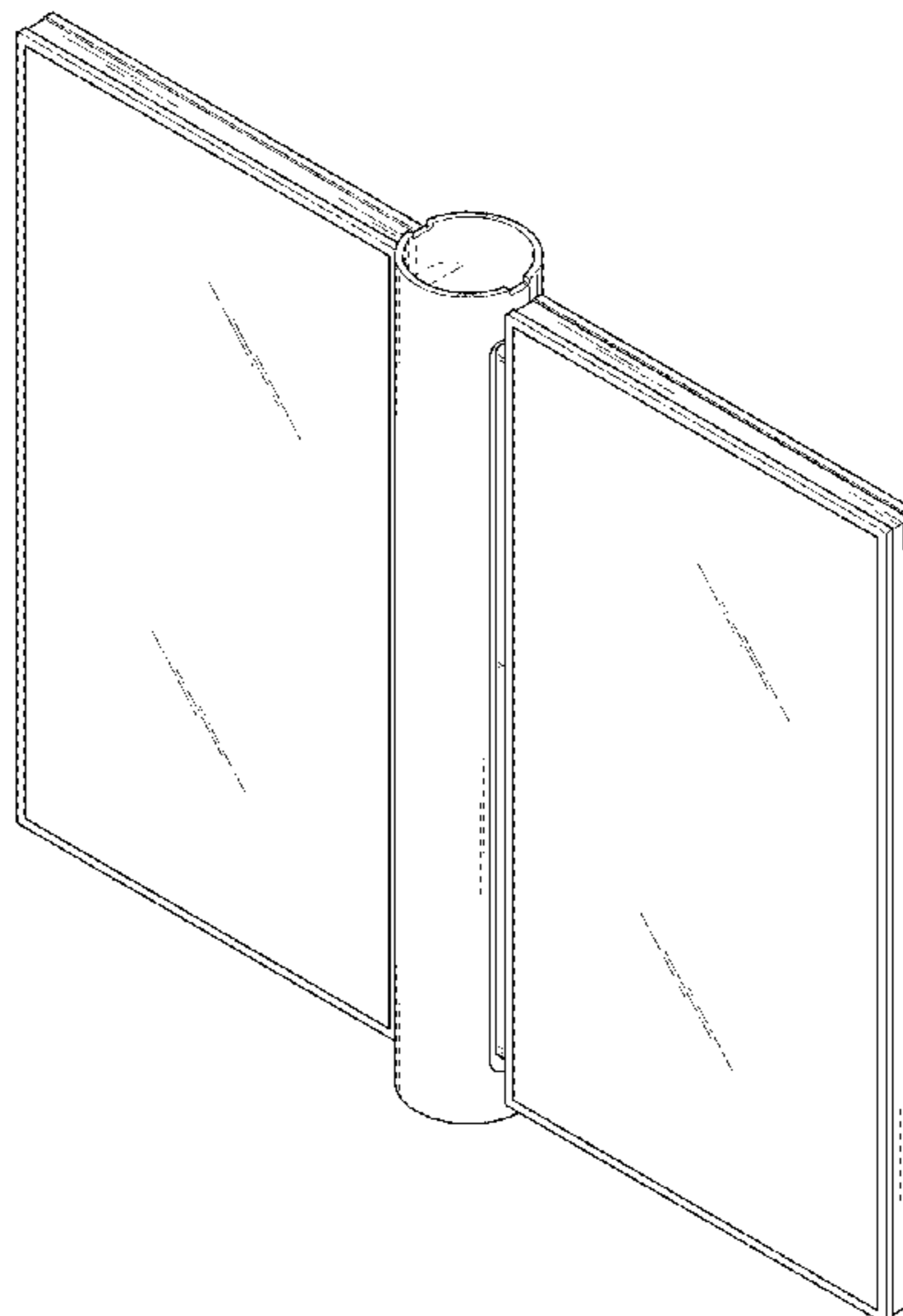


FIG. 1

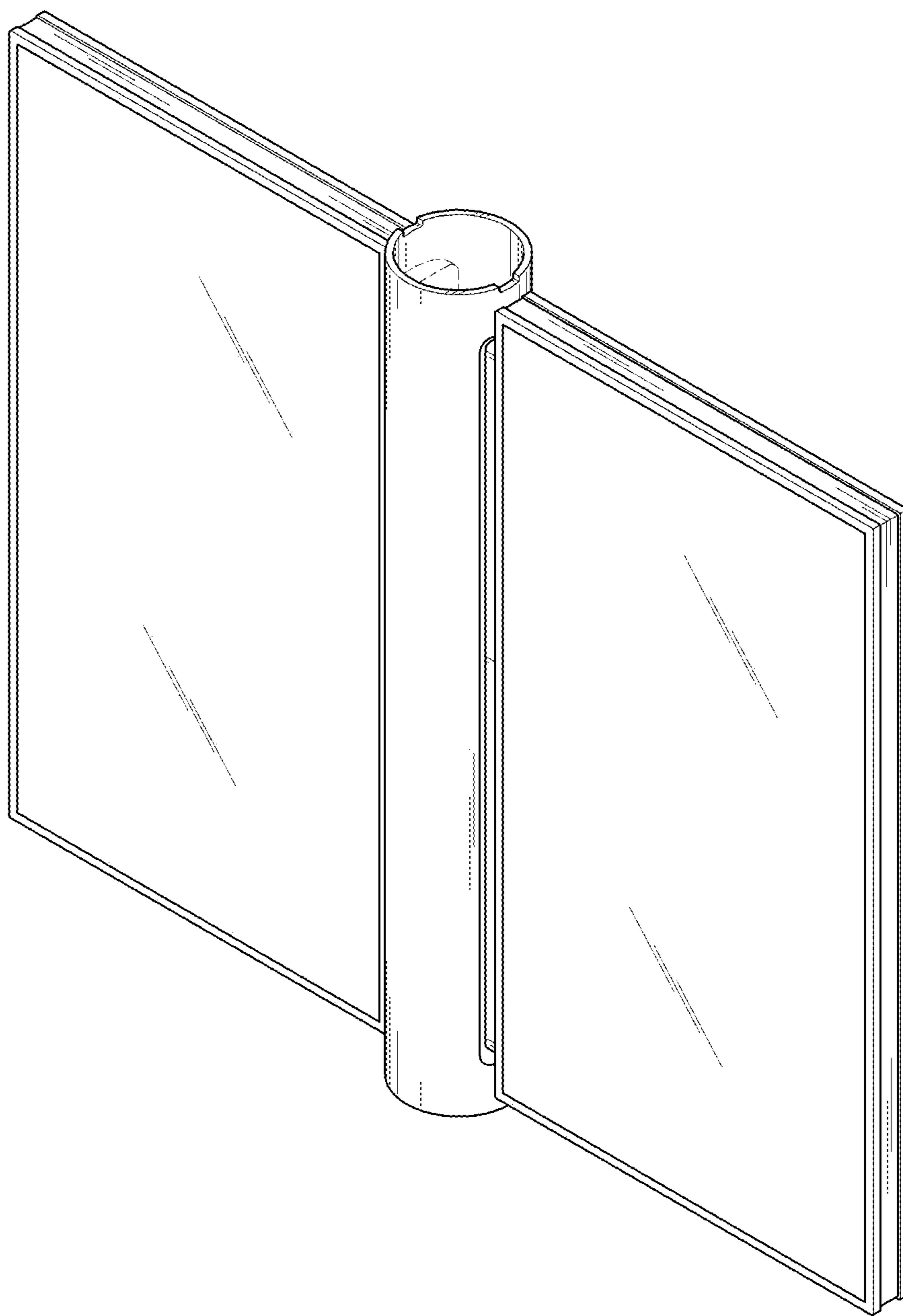


FIG. 2

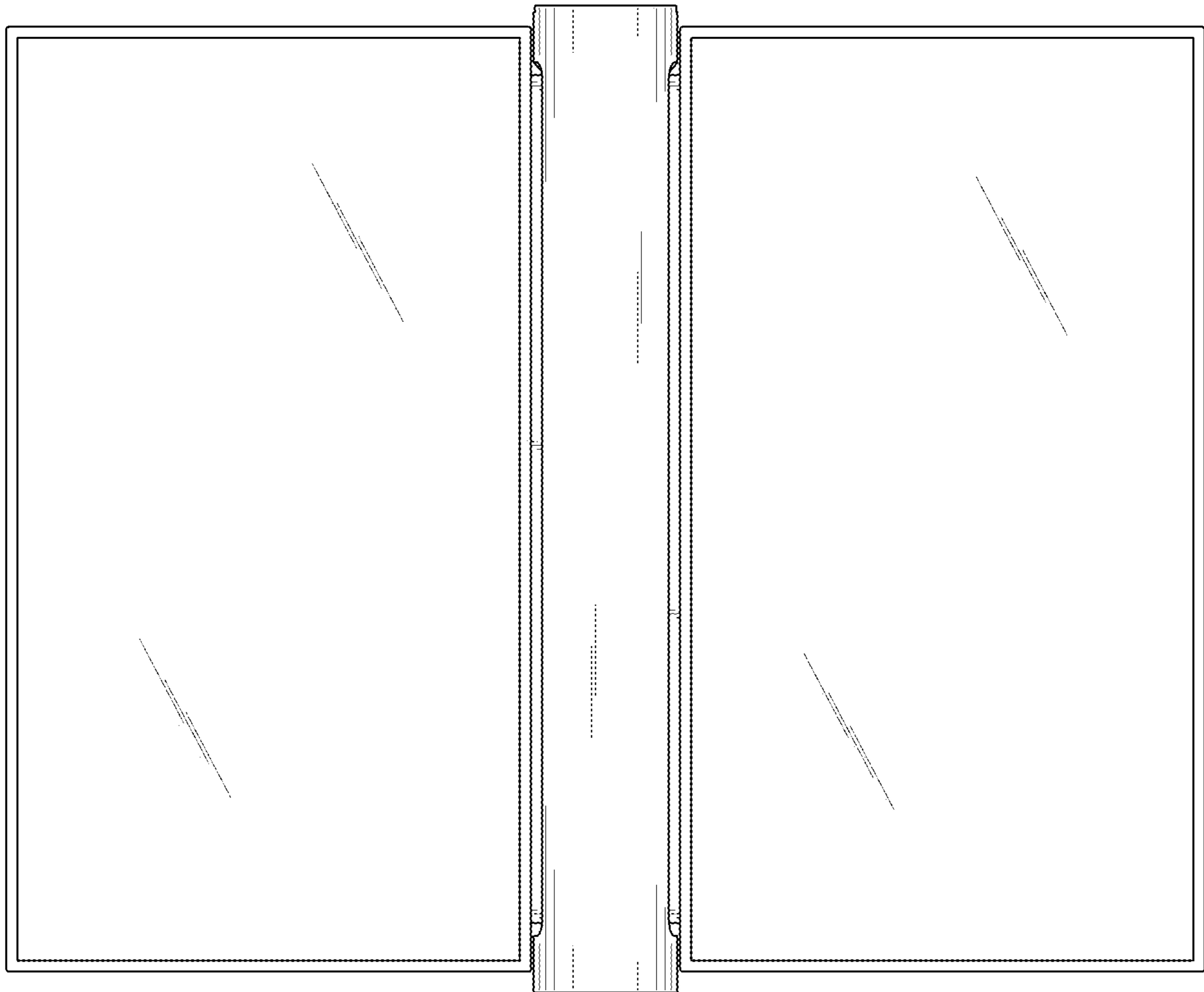


FIG. 3

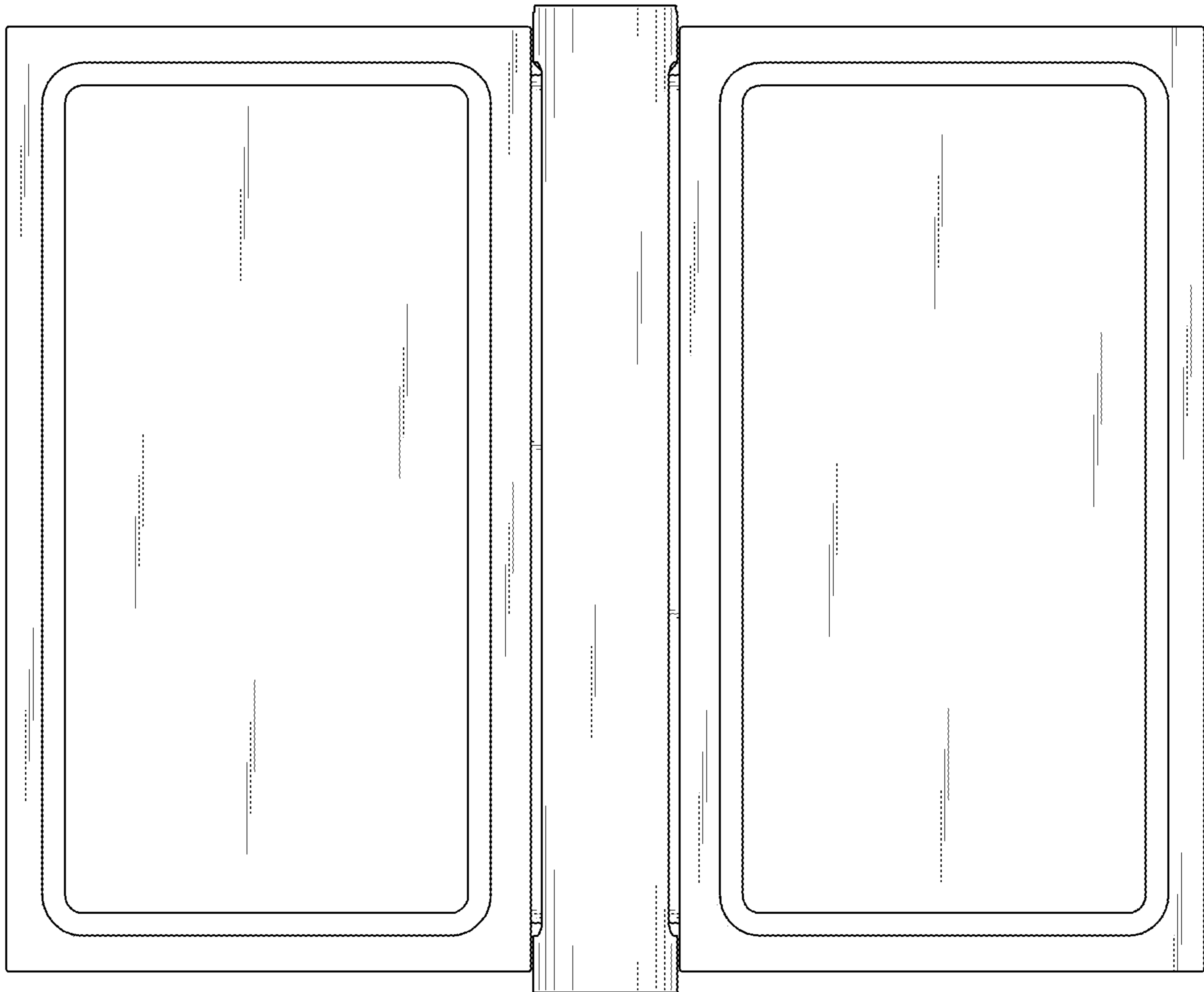


FIG. 4

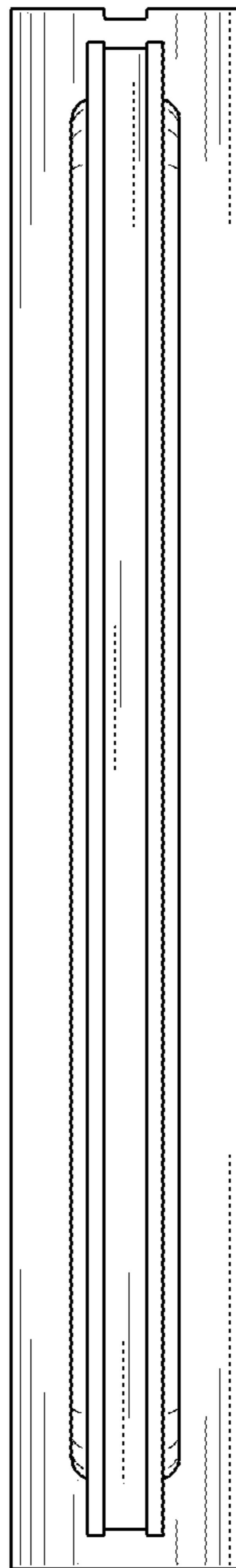


FIG. 5

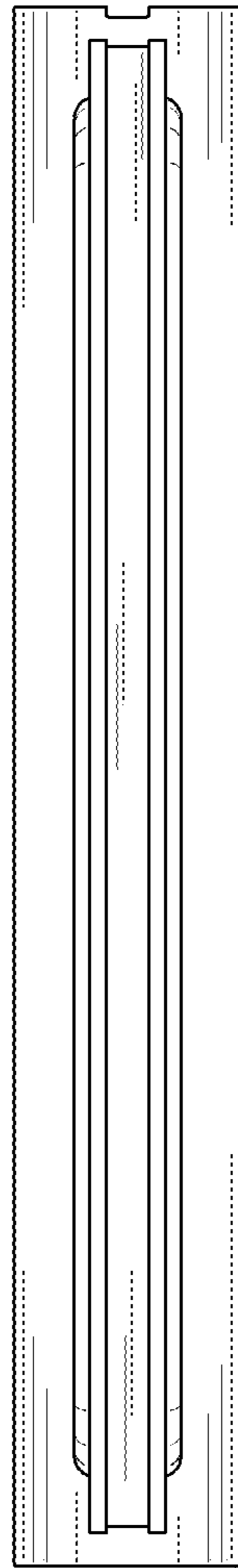


FIG. 6

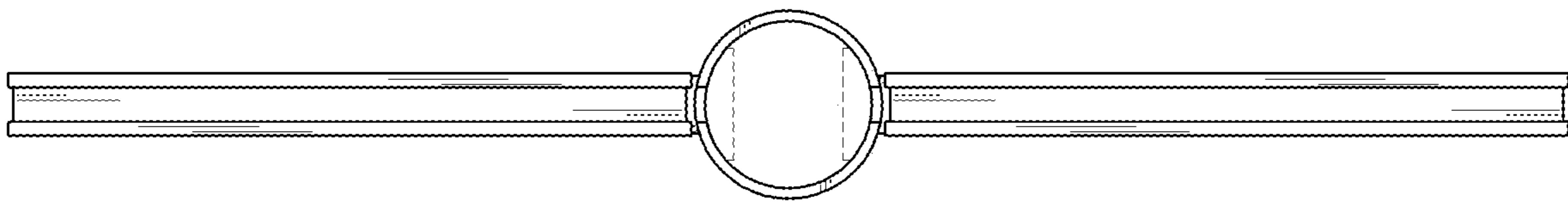


FIG. 7

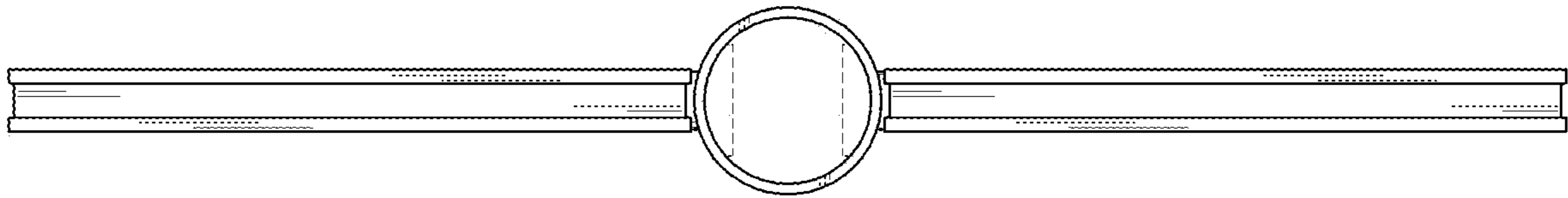


FIG. 8

