



US00D971328S

(12) **United States Design Patent** (10) **Patent No.:** **US D971,328 S**  
**Bernard et al.** (45) **Date of Patent:** **\*\* Nov. 29, 2022**

- (54) **SIGN FRAME**
- (71) Applicant: **SwanSigns, LLC**, Bowling Green, KY (US)
- (72) Inventors: **Garrett Alan Bernard**, Johnson City, TN (US); **Kenneth Howard Smart**, Nashville, TN (US); **Clint Daniel Wiles**, Alvaton, KY (US)
- (73) Assignee: **SwanSigns, LLC**, Bowling Green, KY (US)
- (\*\*) Term: **15 Years**
- (21) Appl. No.: **29/723,847**
- (22) Filed: **Feb. 11, 2020**
- (51) **LOC (13) Cl.** ..... **20-02**
- (52) **U.S. Cl.**  
USPC ..... **D20/41**
- (58) **Field of Classification Search**  
USPC ..... D6/658, 672, 674; D10/109.1, 109.2, D10/113.4; D11/181, 182, 183; D18/26; D14/125, 126, 127, 128, 129, 489, 495; D20/10, 11, 12, 16, 17, 18, 19, 21, 31, D20/27, 29, 30, 39, 40, 41, 42, 43, 44, 99  
CPC ..... G09F 1/00; G09F 1/08; G09F 5/00; G09F 5/02; G09F 7/00; G09F 19/00; G09F 23/00; G09F 27/00; G09F 21/00; G09F 21/06; G09F 21/08; Y10S 362/812; A47F 3/00; A47F 8/00; A47F 11/00  
See application file for complete search history.

(56) **References Cited**

**U.S. PATENT DOCUMENTS**

D80,028 S 12/1929 Fultz  
 1,754,242 A \* 4/1930 Sarafian ..... G09F 15/0056  
 40/564  
 1,817,397 A \* 8/1931 Sarafian ..... G09F 13/26  
 40/545

D86,231 S \* 2/1932 Holland ..... D6/658  
 D87,604 S \* 8/1932 Taylor ..... D6/672  
 1,880,828 A 10/1932 Courtenay  
 2,865,124 A 12/1958 Mortellito  
 D218,217 S 7/1970 Borns et al.  
 D232,888 S \* 9/1974 McCommon ..... D6/674  
 4,276,706 A 7/1981 Scott  
 D262,098 S \* 12/1981 Odle ..... D11/133  
 D266,805 S \* 11/1982 Lenger, Jr. .... D6/718.15  
 D297,691 S \* 9/1988 Hughes ..... D6/515  
 4,916,840 A 4/1990 Getz  
 D313,906 S \* 1/1991 Lublin ..... D6/315  
 5,012,603 A 5/1991 Elcock  
 D323,254 S \* 1/1992 Reda ..... D25/35  
 5,083,390 A 1/1992 Edman  
 D328,416 S \* 8/1992 Karrer ..... D30/110  
 D341,793 S \* 11/1993 Puterbaugh ..... D11/131.1  
 D362,134 S \* 9/1995 Hou ..... D6/672  
 D422,442 S \* 4/2000 Fry ..... D6/559  
 D440,795 S \* 4/2001 Matty ..... D6/674

(Continued)

*Primary Examiner* — Catherine Ho

(74) *Attorney, Agent, or Firm* — Middleton Reutlinger; Alexander P. Brackett

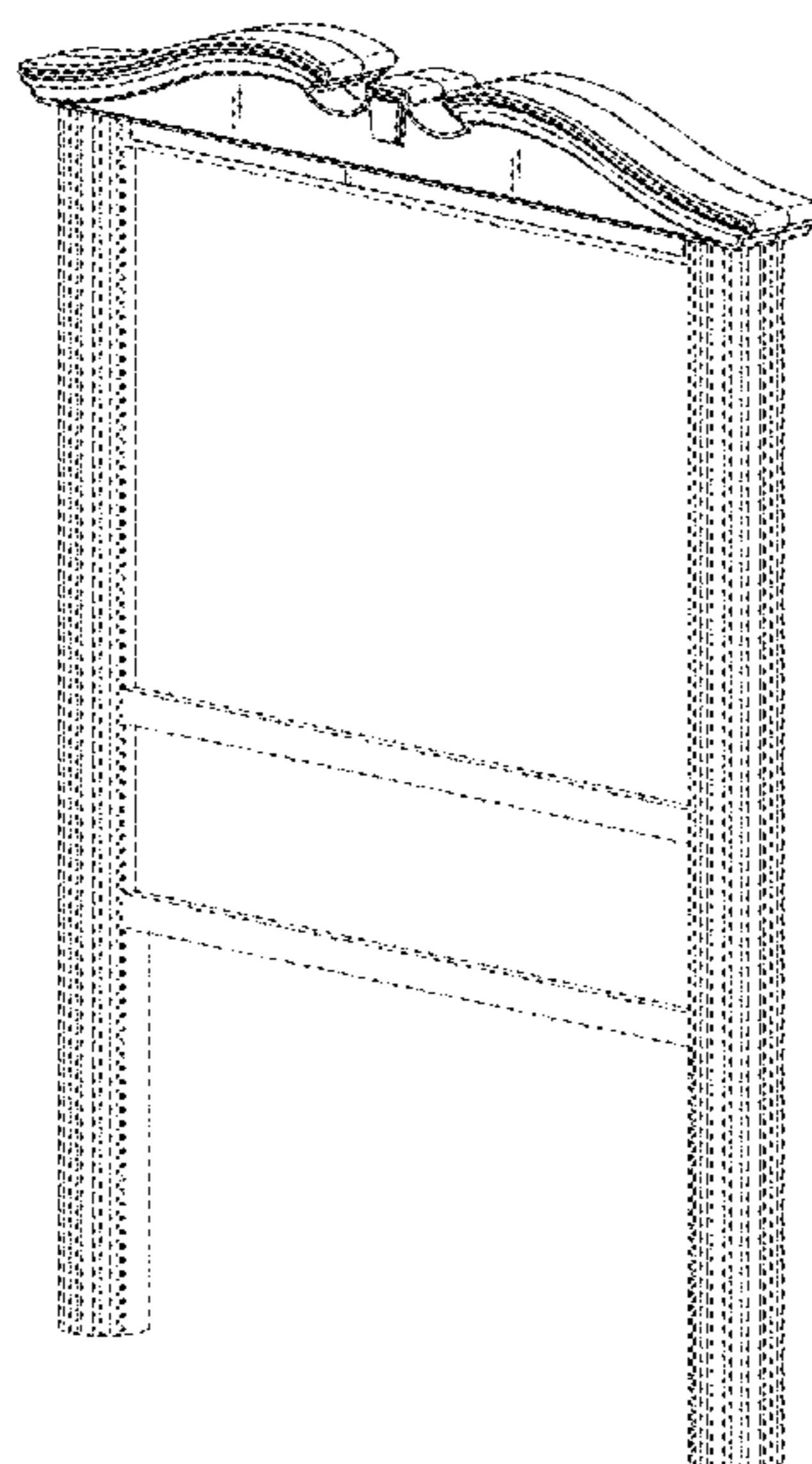
(57) **CLAIM**

The ornamental design for a sign frame, as shown and described.

**DESCRIPTION**

FIG. 1 is a front perspective view of a sign frame showing our new design;  
 FIG. 2 is a rear perspective view thereof;  
 FIG. 3 is a front view thereof;  
 FIG. 4 is a side view thereof; and,  
 FIG. 5 is a top view thereof.  
 The broken lines immediately adjacent the shaded areas represent the bounds of the claimed design while all other broken lines are directed to environment and are for illustrative purposes only.

**1 Claim, 5 Drawing Sheets**



(56)

**References Cited**

U.S. PATENT DOCUMENTS

6,298,591	B1 *	10/2001	Healy .....	G09F 7/04 248/467
6,308,446	B1 *	10/2001	Healy .....	G09F 7/04 40/600
D477,369	S	7/2003	Gaines et al.	
D503,747	S	4/2005	Crawford	
D503,748	S	4/2005	Crawford	
D503,749	S	4/2005	Crawford	
D531,836	S *	11/2006	Watson .....	D6/674
D533,230	S	12/2006	Thomas	
D537,123	S	2/2007	Thomas	
7,219,457	B2	5/2007	Carter et al.	
D562,908	S	2/2008	Schettino et al.	
7,661,213	B2	2/2010	Gainey	
7,797,868	B1	9/2010	Cobb et al.	
D656,994	S *	4/2012	Podd .....	D20/42
D692,261	S *	10/2013	Sharp .....	D6/672
D917,620	S *	4/2021	Khan .....	D20/42
2007/0199221	A1 *	8/2007	Carter .....	G09F 15/0012 40/606.18
2008/0256836	A1	10/2008	Lincoln	
2019/0130794	A1	5/2019	Huenefeld	
2019/0251878	A1 *	8/2019	Rogers .....	G09F 27/007

\* cited by examiner



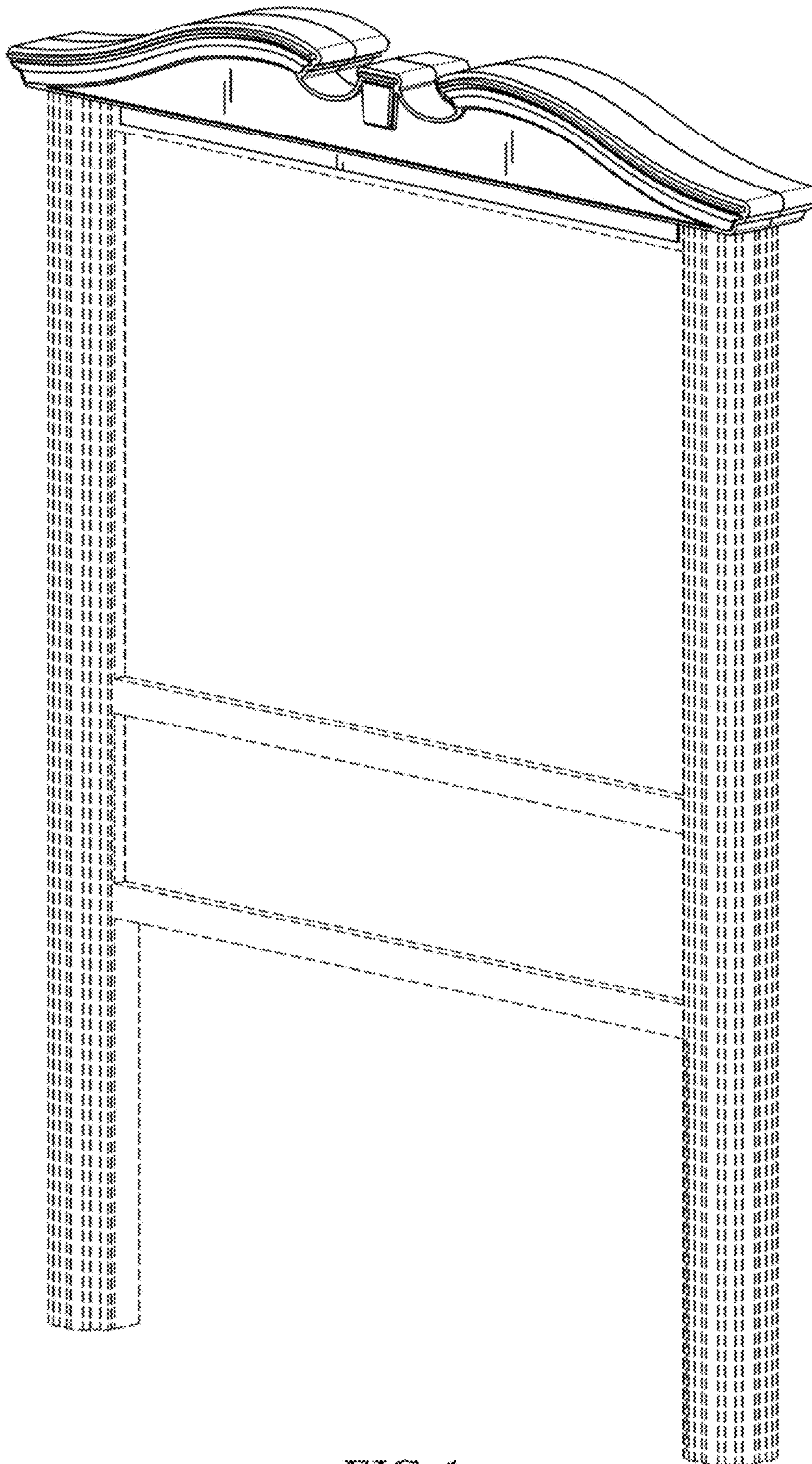


FIG. 1

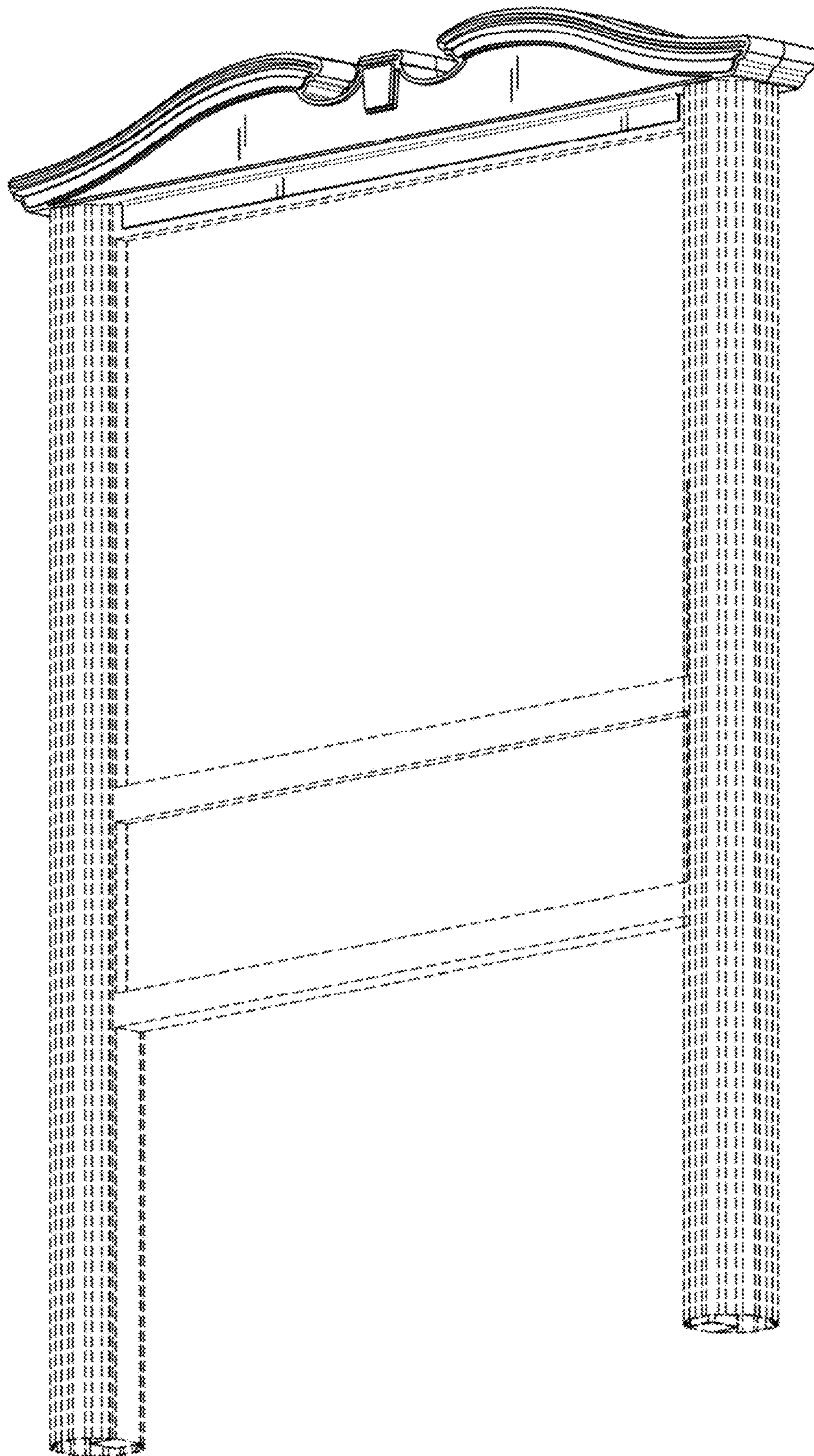


FIG. 2



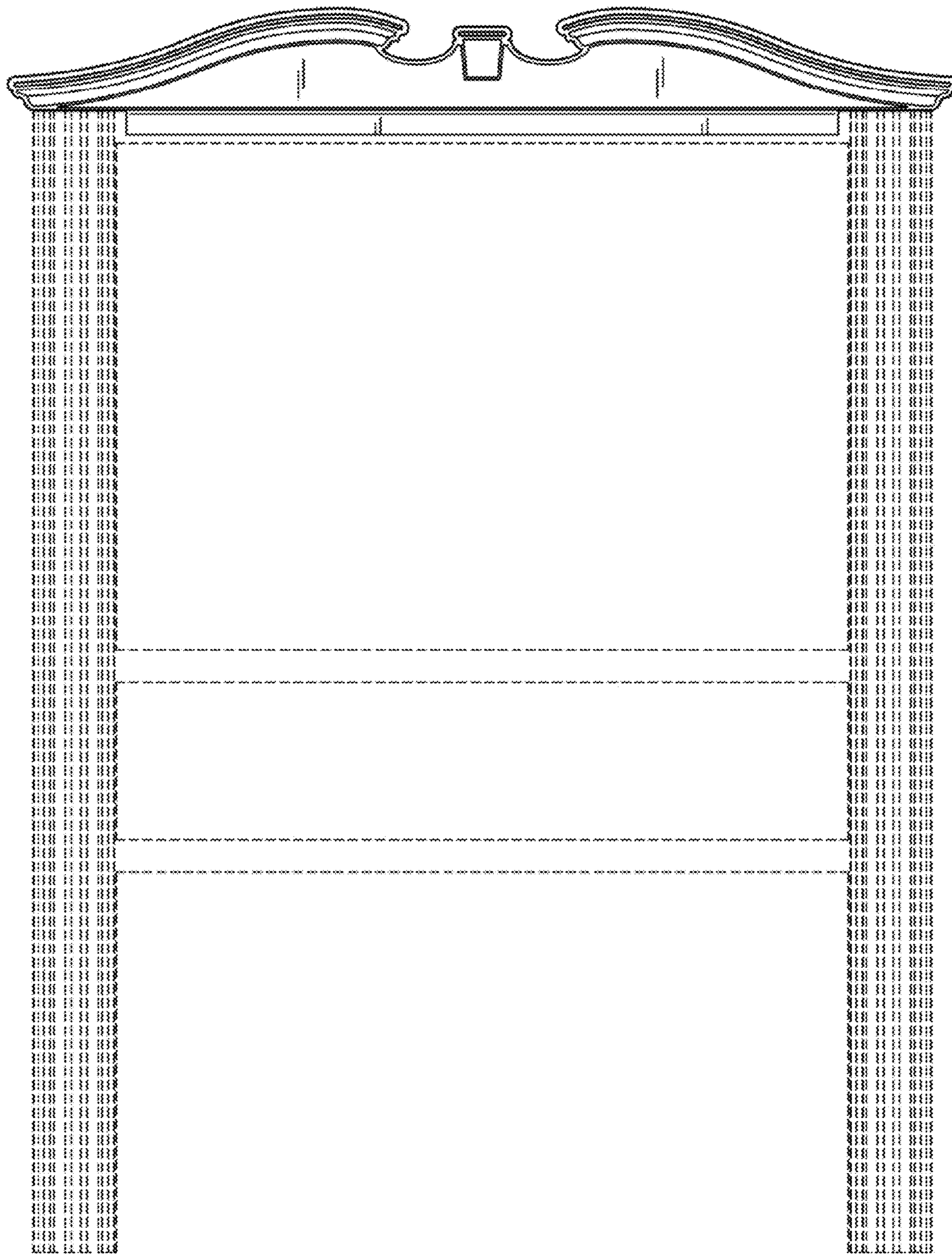


FIG. 3



FIG. 4

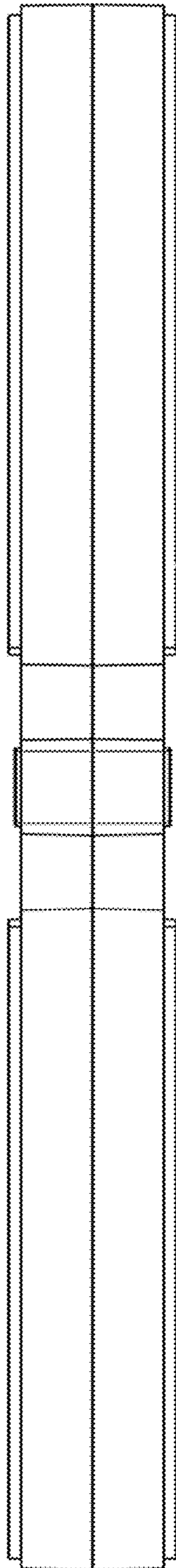


FIG. 5