



US00D971327S

(12) **United States Design Patent**  
**Wang**

(10) **Patent No.:** **US D971,327 S**

(45) **Date of Patent:** **\*\* Nov. 29, 2022**

(54) **CARD BADGE**

(71) Applicant: **Huakun Wang**, Guangdong (CN)

(72) Inventor: **Huakun Wang**, Guangdong (CN)

(\*\*) Term: **15 Years**

(21) Appl. No.: **29/780,421**

(22) Filed: **Apr. 23, 2021**

(51) **LOC (13) Cl.** ..... **19-08**

(52) **U.S. Cl.**  
USPC ..... **D20/27**; D19/10

(58) **Field of Classification Search**  
USPC ..... D3/247, 248, 249, 273, 300, 302;  
D9/415, 457, 702, 711, 722; D19/9, 10,  
D19/11; D20/27, 40; D21/392  
CPC ..... B65D 27/00; B65D 73/00; B65D 75/26;  
B65D 75/28; B65D 75/30; B65D 75/32;  
B65D 75/34; B65D 75/36; B65D 75/38;  
B65D 75/54; B65D 75/56; B65D 75/62;  
B65D 75/64

See application file for complete search history.

(56) **References Cited**

**U.S. PATENT DOCUMENTS**

D386,793 S	11/1997	Haas et al.	
5,715,215 A *	2/1998	Haas	G04F 13/04 368/327
D394,675 S	5/1998	Haas et al.	
7,506,487 B2 *	3/2009	Eads	B65D 31/10 53/412
D677,724 S *	3/2013	Haas	D19/2
D690,767 S *	10/2013	Lindley	D19/9
D723,800 S *	3/2015	Ziegler	D3/247
D724,319 S *	3/2015	Ziegler	D3/247
D733,922 S *	7/2015	Sjolander	D24/233
9,511,911 B1 *	12/2016	Chang	B65D 33/18
D809,932 S *	2/2018	Bruggink	D9/722

D910,750 S *	2/2021	Hsian	D19/113
D926,588 S *	8/2021	Hughes	D9/702
2007/0110340 A1 *	5/2007	Buchman	B65D 33/20 383/5
2019/0322432 A1 *	10/2019	Burke	B65D 75/54

**OTHER PUBLICATIONS**

EcoEarth, posted at u-buy.jp, posted on Oct. 31, 2018, site visited Jan. 10, 2022. online, available from internet: <https://www.u-buy.jp/en/product/20EYEKRQ-ecoearth-horizontal-pvc-id-badge-holder-with-metal-clips-and-vinyl-straps-sealable-fits-2-25-x3-5-in> (Year: 2018).\*

Card protector, posted at u-buy.jp, posted on Aug. 20, 2021, site visited Jan. 10, 2022. online, available from internet: <https://www.u-buy.jp/en/product/RLCZSV12-cdc-vaccination-card-protector-4-x-3-in-clear-vinyl-plastic-sleeve-id-name-tag-badge-cards-holder-fo> (Year: 2021).\*

\* cited by examiner

*Primary Examiner* — Catherine Ho  
(74) *Attorney, Agent, or Firm* — ScienBiziP, P.C.

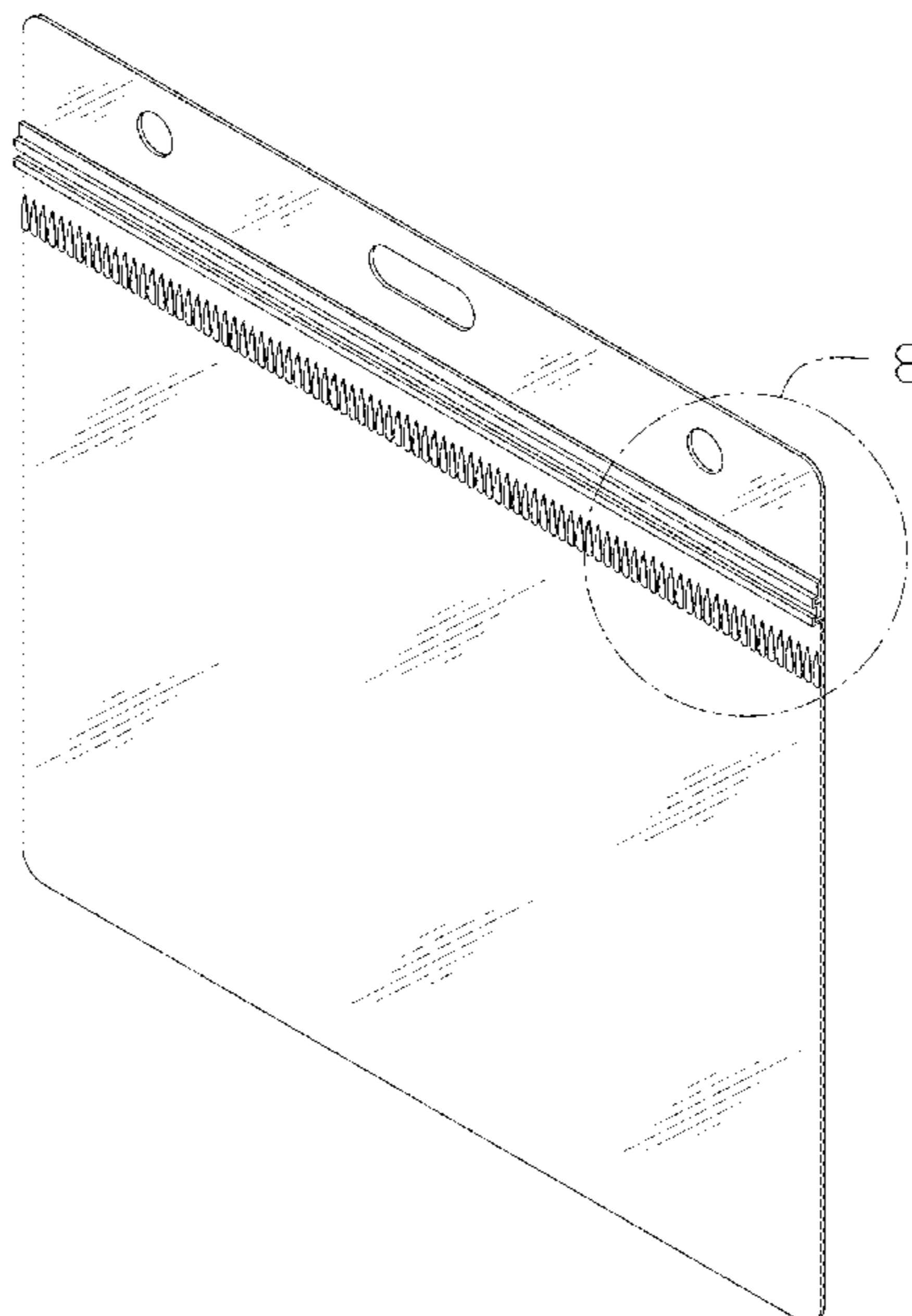
(57) **CLAIM**

The ornamental design for a card badge, as shown and described.

**DESCRIPTION**

FIG. 1 is a front, right, and top perspective view of a card badge, showing my design.  
FIG. 2 is a front elevation view thereof.  
FIG. 3 is a rear elevation view thereof.  
FIG. 4 is a left side elevation view thereof.  
FIG. 5 is a right side elevation view thereof.  
FIG. 6 is a top plan view thereof.  
FIG. 7 is a bottom plan view thereof; and,  
FIG. 8 is an enlarged detailed view of the encircled area 8 in FIG. 1.

**1 Claim, 8 Drawing Sheets**



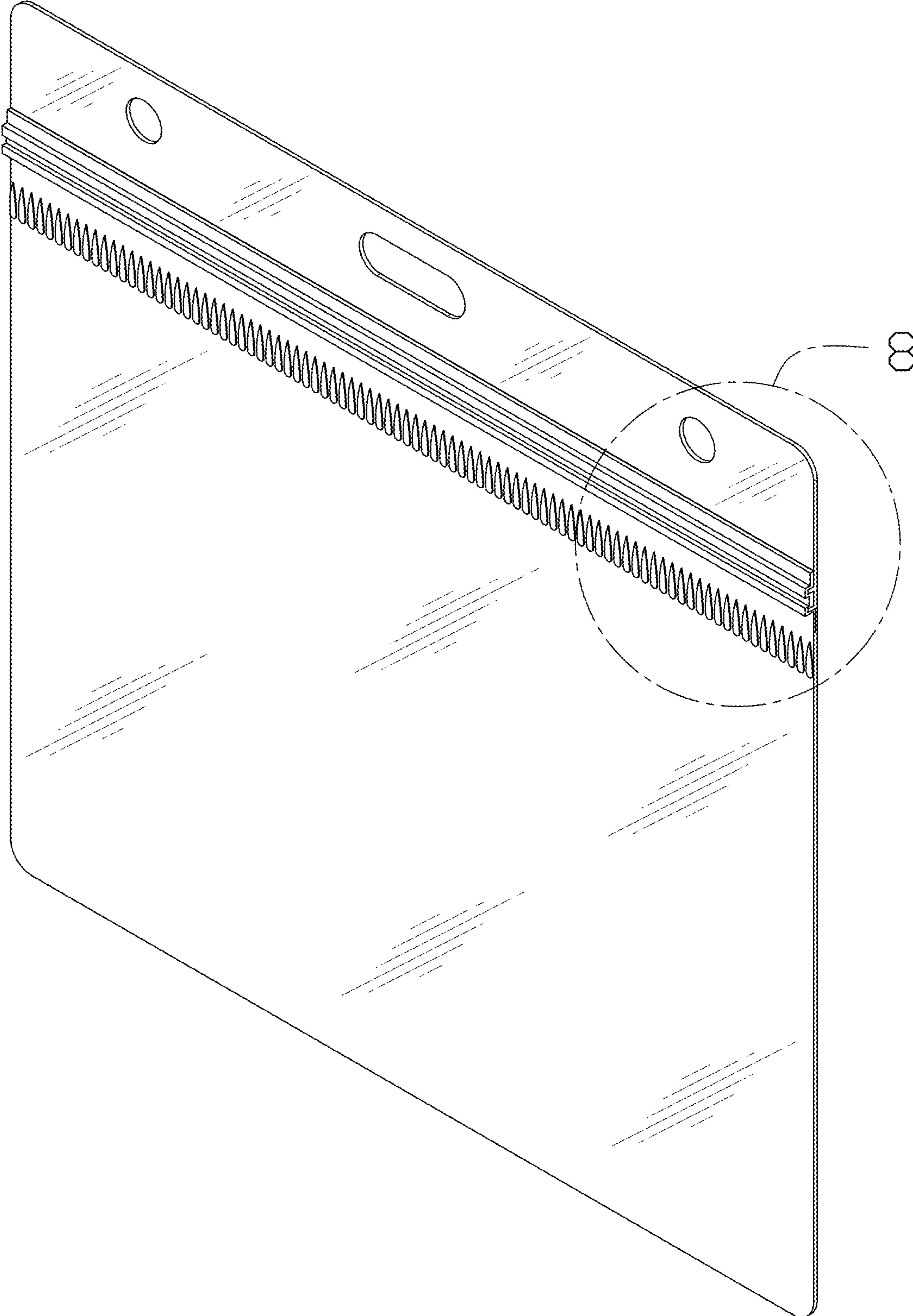


FIG. 1

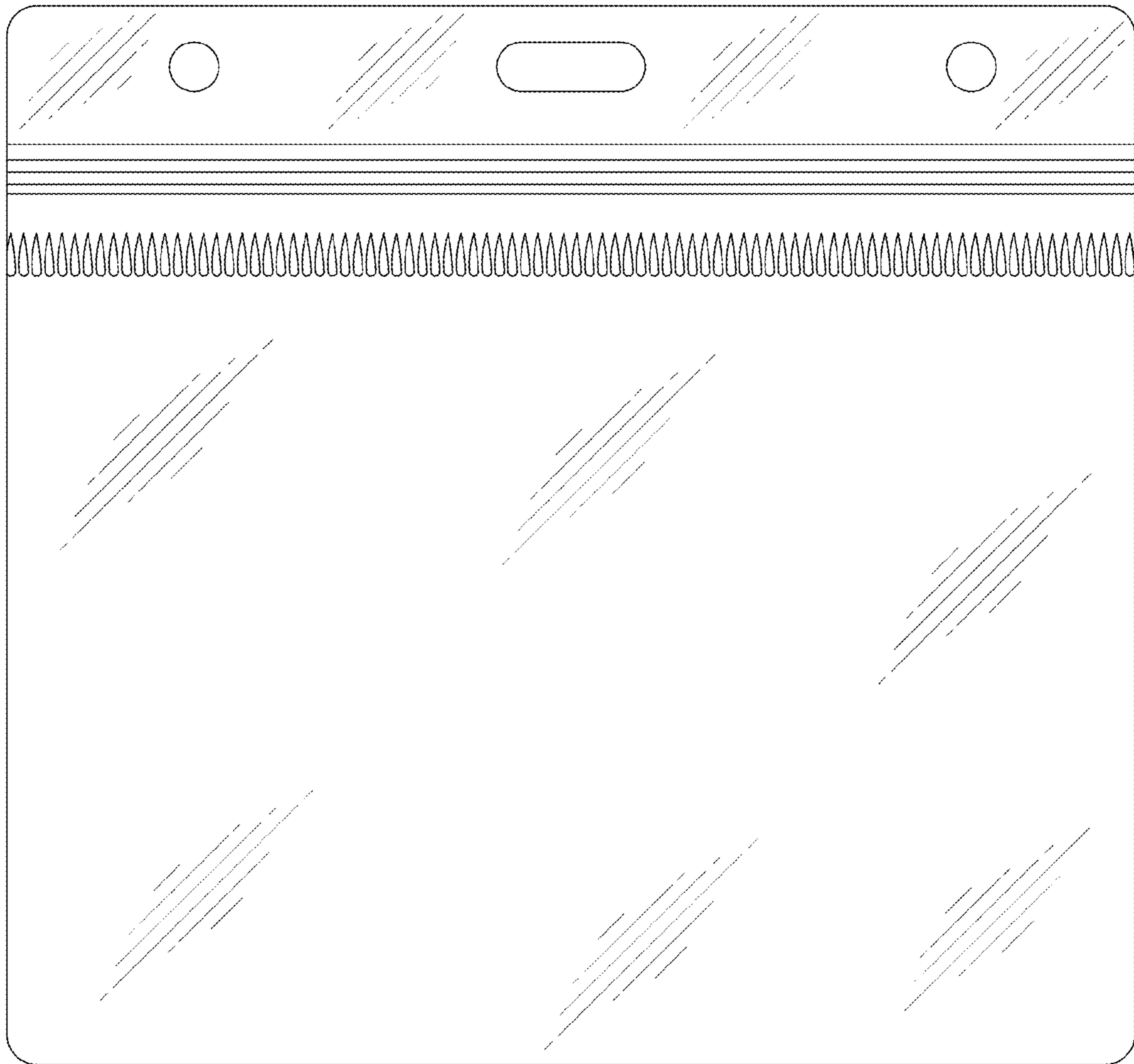


FIG. 2

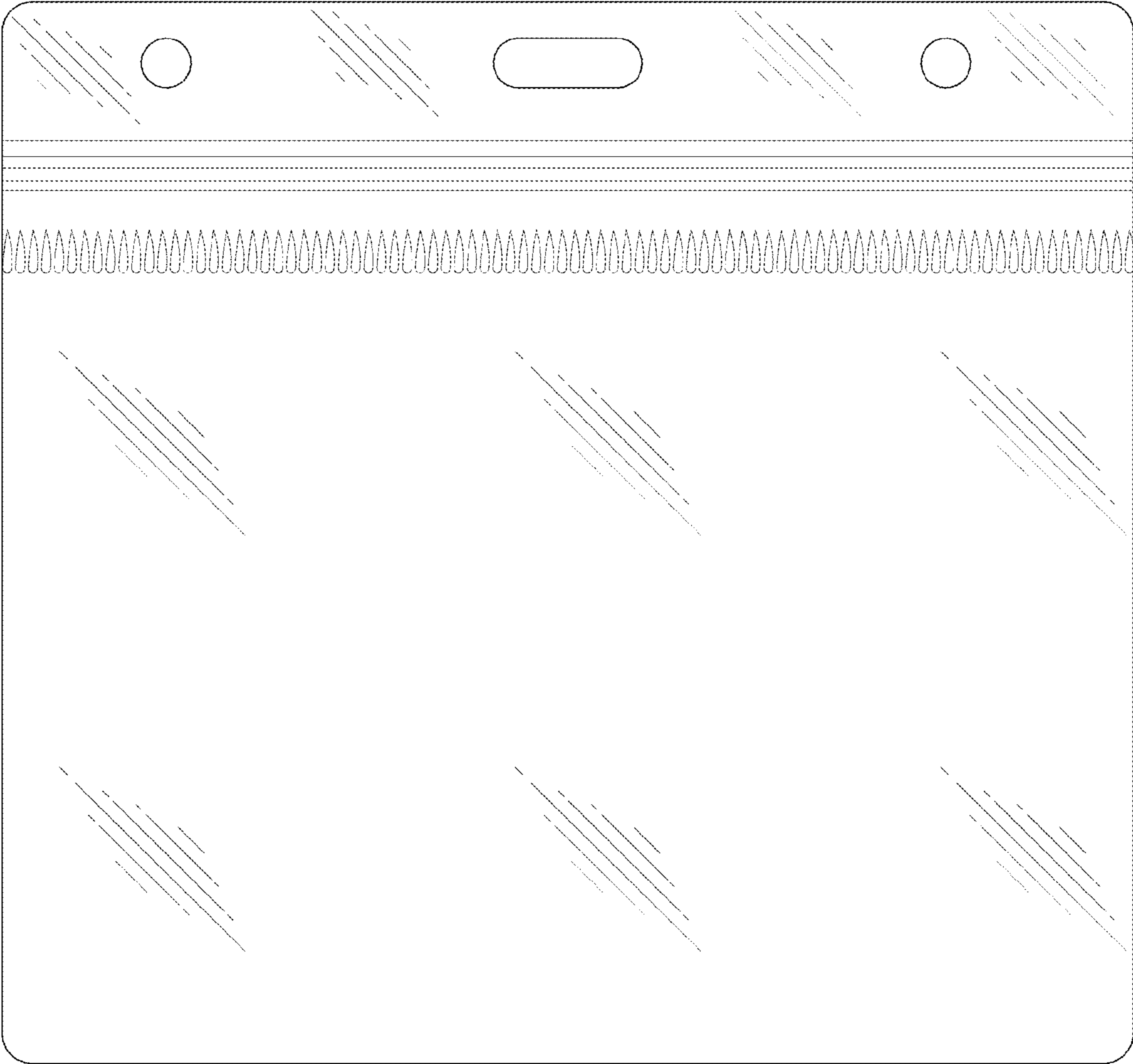


FIG. 3

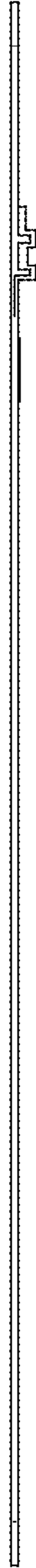


FIG. 4

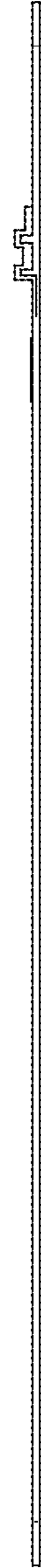


FIG. 5

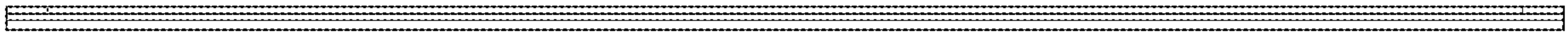


FIG. 6

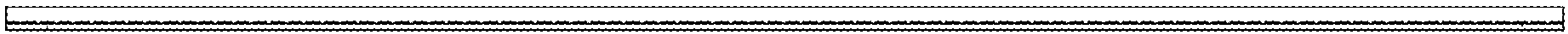


FIG. 7



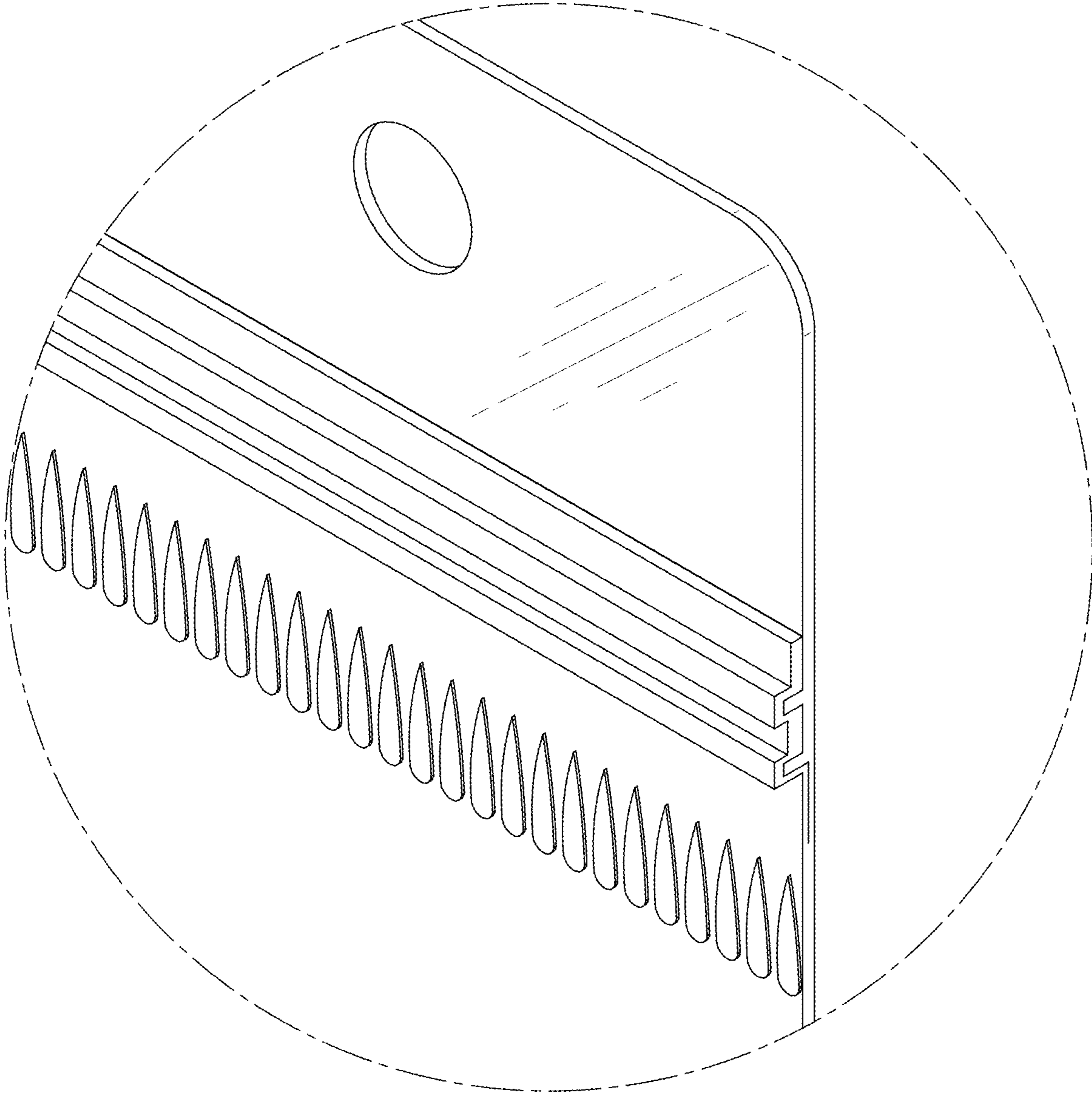


FIG. 8